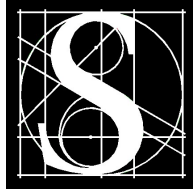


*Sjoquist Architects, Inc.*



# Southcentral Foundation



## **Fireweed Building Renovation**

## **Equipment Cut Sheets**

**100% Submittal**

**7/10/2023**

*3020 University Ave. SE, Suite 100  
Minneapolis, Minnesota 55414  
Telephone 612-379-9233  
Fax 612-379-9263*

# A-dec 511 Dental Chair and Related Systems

## Contents

<b>Structural Requirements</b> .....	<b>1</b>
Dental Patient Chair Interface Requirement .....	1
<b>Utility Requirements</b> .....	<b>1</b>
Utility Specifications .....	2
Head Loss With Respect to Flow .....	3
Electrical Ratings .....	4
<b>Shipping Weights</b> .....	<b>4</b>
<b>Documentation References</b> .....	<b>5</b>
<b>Plan Views and Dimensions</b> .....	<b>6</b>
Utility Elevations .....	6
Utility Placement .....	6
Floor Box Utility Connections .....	7
A-dec 511B Dental Chair .....	8
A-dec 532B Delivery System .....	9
A-dec 533B Delivery System .....	10
A-dec 551 Assistant's Instrumentation – Long Arm .....	11
A-dec 551 Assistant's Instrumentation – Short Arm .....	12
A-dec 461 Support Center and Cuspidor .....	13
A-dec 572L Dental Light .....	14
A-dec 482 Monitor Mount .....	15



A-dec 511B Dental Chair with 532B Delivery System, 572L Dental Light, and 482 Monitor Mount

## Structural Requirements



**NOTE** Job site construction should be completed before the dental equipment installation (including finished floors, ceiling, plumbing, lighting, paint, etc.).

### Dental Patient Chair Interface Requirement

The dental chair requires a solid, level mounting surface that meets these minimum specifications:

- Support a nominal weight of 1192 lb (5302 N) for the chair, dental light, delivery system, and patient.
- Capability to anchor the chair to the floor, with a minimum pullout load of 350 lb (1557 N) for one anchor-bolt.

## Utility Requirements



**CAUTION** Local regulation may require licensed plumbers and electricians to install the utilities. All plumbing and utilities must conform to prevailing local codes.



**CAUTION** The manner and method for accessing the utilities within the wall is the responsibility of the design team working on the project (dental dealer, architectural services, and contractors). Utilities must be accessible without the use of tools.

General utility requirements and electrical ratings are provided on pages 2 and 4.



**IMPORTANT** For additional electrical specifications and vacuum head loss data, see the *Regulatory Information, Specifications, and Warranty* document (p/n 86.0221.00), which is available in the Resource Center at [www.a-dec.com](http://www.a-dec.com).

**E101 3/10**

### Utility Specifications

Utility	Finish	Requirements
Air	Protrude 1" to 2" (25 mm to 51 mm) for 1/2" (13 mm) compression	<ul style="list-style-type: none"> <li>Right-angle manual shutoff valve with 3/8" compression outlet supplied and installed by the contractor, with the top of the handle no higher than 3-3/4" (95 mm) above the finished floor.</li> <li>80-125 psi (550 to 860 kPa), 2.5 scfm (71 SL/min) minimum, during normal use (7.5 scfm [210 SL/min] peak intermittent flow).</li> <li>Flush lines prior to making connections to dental equipment.</li> </ul>
<del>Water*</del>	<del>Protrude 1" to 2" (25 mm to 51 mm) for 1/2" (13 mm) compression</del>	<ul style="list-style-type: none"> <li><del>Right-angle manual shutoff valve with 3/8" compression outlet supplied and installed by the contractor, with the top of the handle no higher than 3-3/4" (95 mm) above the finished floor.</del></li> <li><del>60±20 psi (410 ± 140 kPa), 1.5 gpm (5.7 L/min) minimum, not to exceed 40°C (104°F).</del></li> <li><del>Flush lines prior to making connections to dental equipment.</del></li> </ul>
Central vacuum	Protrude 1" (25 mm) for 5/8" (16 mm) O.D. tubing and other specified by the central vacuum supplier	<ul style="list-style-type: none"> <li><del>Wet systems: 10±2 inches of Hg (34±7 kPa), 9 scfm (255 SL/min) minimum.</del></li> <li>Dry/semi-dry systems: 4.5±1 inches of Hg (16±3.5 kPa), 12 scfm (340 SL/min) minimum.</li> </ul>
<del>Gravity Drain**</del>	<del>Protrude 1" (25 mm) for 1-1/2" (38 mm) nominal pipe</del>	<ul style="list-style-type: none"> <li><del>Place trap in line, conforming to local codes, contractor-supplied.</del></li> <li><del>Waste water drain must have a minimum slope of 1/4" per foot (21 mm per meter) and accommodate a flow of 4.5 gpm (17 L/min) without overflow.</del></li> <li><del>Floor mount only. Not recommended for wall mount utilities.</del></li> </ul>
Electrical	1/2" (13 mm) conduit and electrical box with a hospital-grade quad power receptacle	<ul style="list-style-type: none"> <li>Conduit, electrical box, and power receptacle supplied and installed by the contractor (wired as per code).</li> <li>Electrical box should be oriented vertically, with the top no higher than 5" (127 mm) above the finished floor. <b>Mount box horizontally flat on floor</b></li> <li>See the "Electrical Ratings" table for voltage and amperage ratings.</li> </ul>

\* The delivery system comes with a self-contained water bottle. Municipal water is only required if the equipment configuration includes a cuspidor or if the facility has special requirements.

\*\* Gravity drains are needed only on systems with a cuspidor.



E101 4/10

### Electrical Ratings

Power	Required Electrical Supply
<del>240 Volt</del>	<del>220–240 VAC, 50–60 Hz, 10 Amps minimum</del>
120 Volt	110–120 VAC, 50–60 Hz, 15 Amps minimum

### Shipping Weights

Product/Box	Estimated Shipping Weight
A-dec 511 Dental Chair	422 lb (191 kg)
A-dec 532 or 533 Delivery System <i>(includes front mount weight)</i>	95 lb (43 kg)
<del>A-dec 551 Assistant's Instrumentation</del>	<del>39 lb (18 kg)</del>
<del>A-dec 461 Cuspidor and Support Center</del>	<del>66 lb (30 kg)</del>
<del>A-dec 572L Dental Light</del>	<del>47 lb (21 kg)</del>
<del>482 Monitor Mount <i>(without monitor)</i></del>	<del>11 lb (5 kg)</del>

E101 5/10

## Documentation References

Document Title	Part Number
<b>Templates</b>	
<i>A-dec 511 (Version B) Dental Chair Full-Size Template</i>	86.0755.00
<i>A-dec 511 (Version B) Dental Chair Mini Template</i>	86.0756.00
<i>A-dec 511 (Version B) Dental Chair Related Modules</i>	86.0757.00
<b>Installation Guides</b>	
<i>A-dec 511 Dental Chair Installation Guide</i>	86.0648.00
<i>A-dec 532/533 Delivery System Installation Guide</i>	86.0479.00
<del><i>A-dec 551 Assistant's Instrumentation on A-dec 311/411/511 Dental Chair Installation Guide</i></del>	<del>86.0388.00</del>
<del><i>A-dec 461 Support Center on A-dec 311/411/511 Dental Chair Installation Guide</i></del>	<del>86.0387.00</del>
<del><i>A-dec 572L Dental Light on A-dec 511 Dental Chair Installation Guide</i></del>	<del>86.0795.00</del>
<del><i>A-dec 482/381 Monitor Mount Installation Guide</i></del>	<del>86.0410.00</del>

E101 6/10

## Plan Views and Dimensions



**NOTE** The dimensional drawings in this section are not to scale and are for reference only. For complete accuracy, use the appropriate full-sized templates.

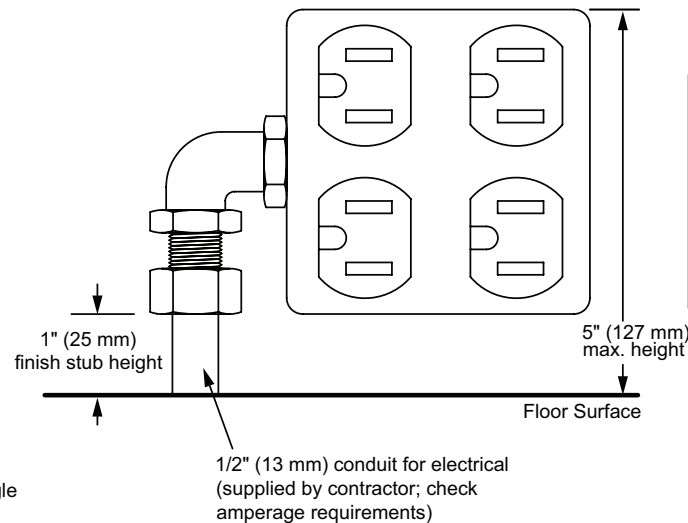
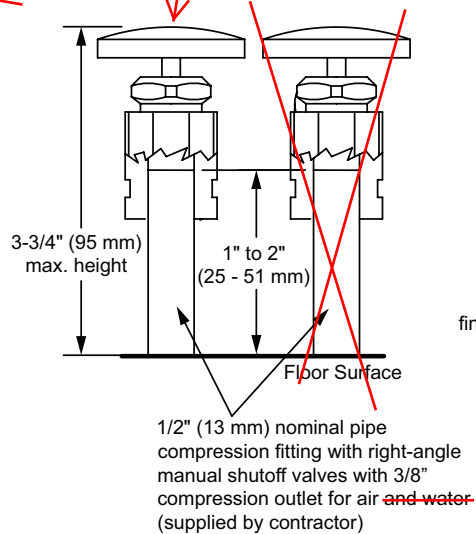
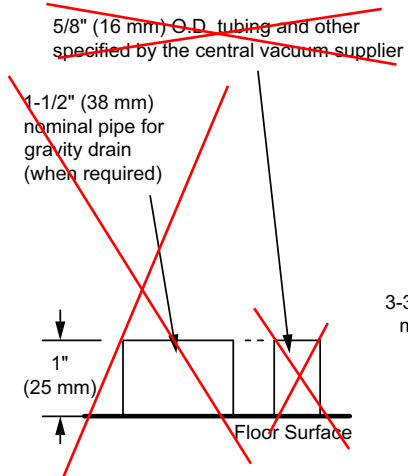
## Utility Placement



**CAUTION** Due to specific plumbing elevation restrictions, the height and placement of utilities in the floor box can affect the ability to use the floor box cover. Failure to provide adequate space will prevent installation and removal of the cover. See "Utility Elevations." Please reference the appropriate full-size template which includes all of the necessary space constraints.

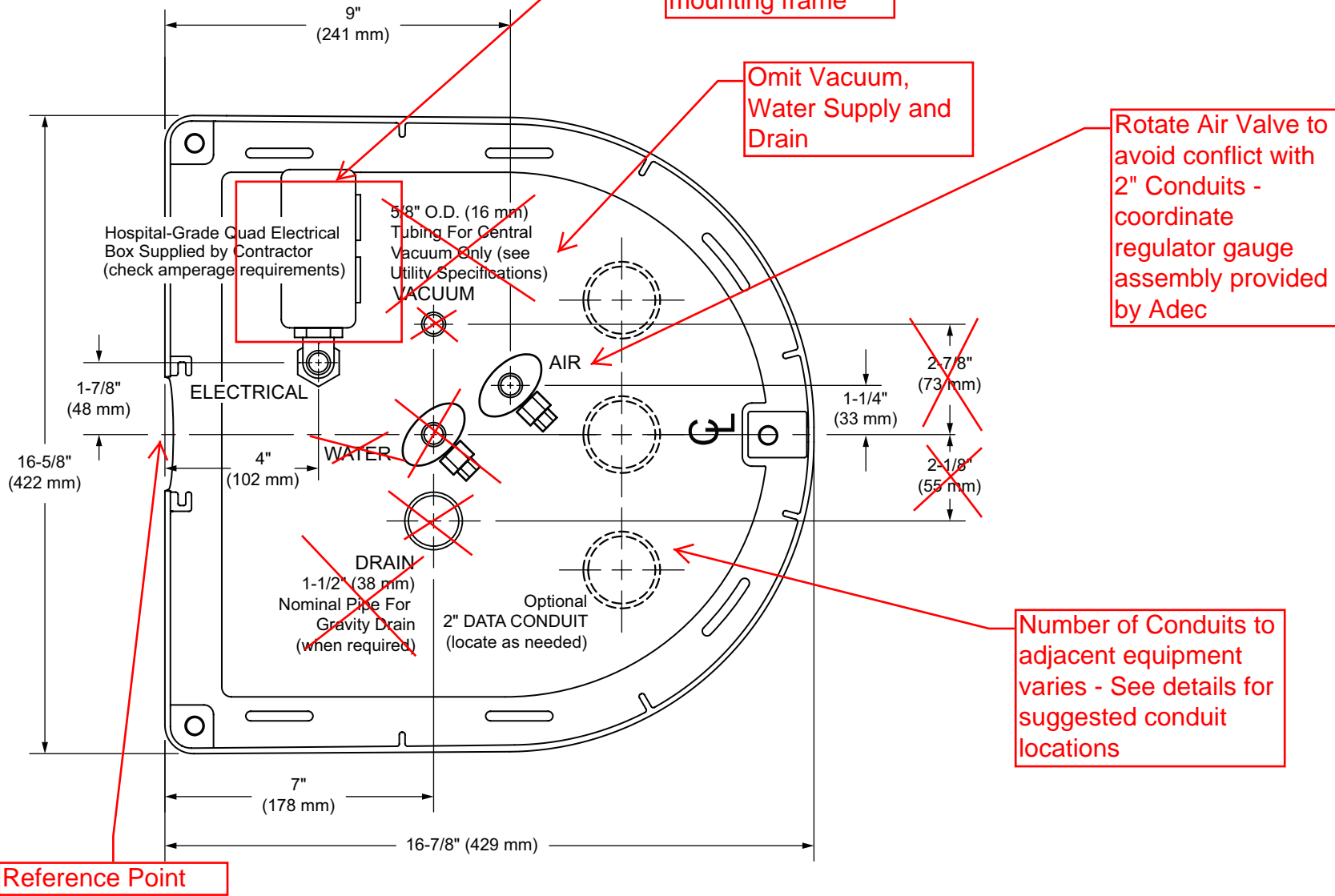
## Utility Elevations

Air Only



E101 7/10

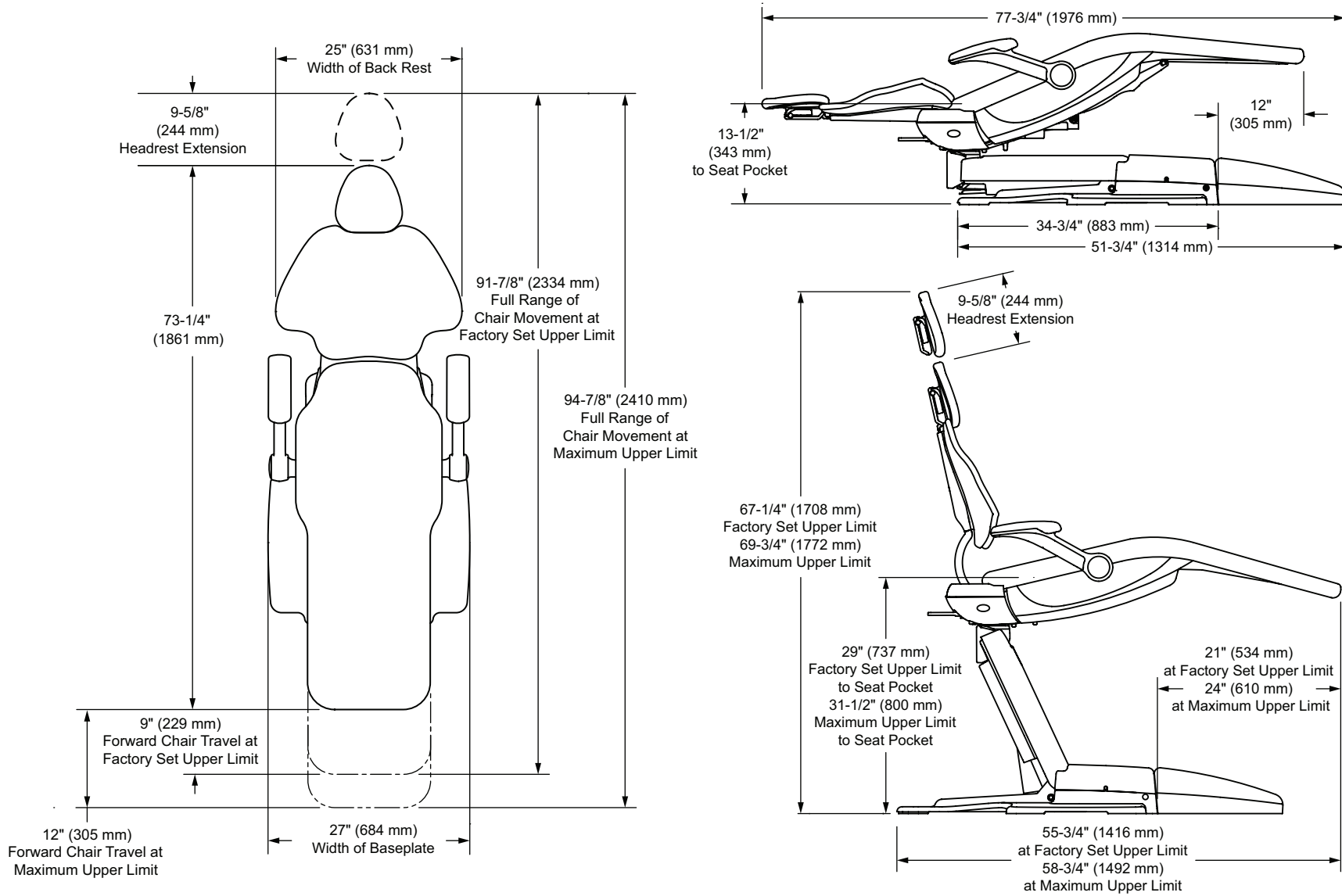
### Floor Box Utility Connections



**E101 8/10**

### A-dec 511B Dental Chair

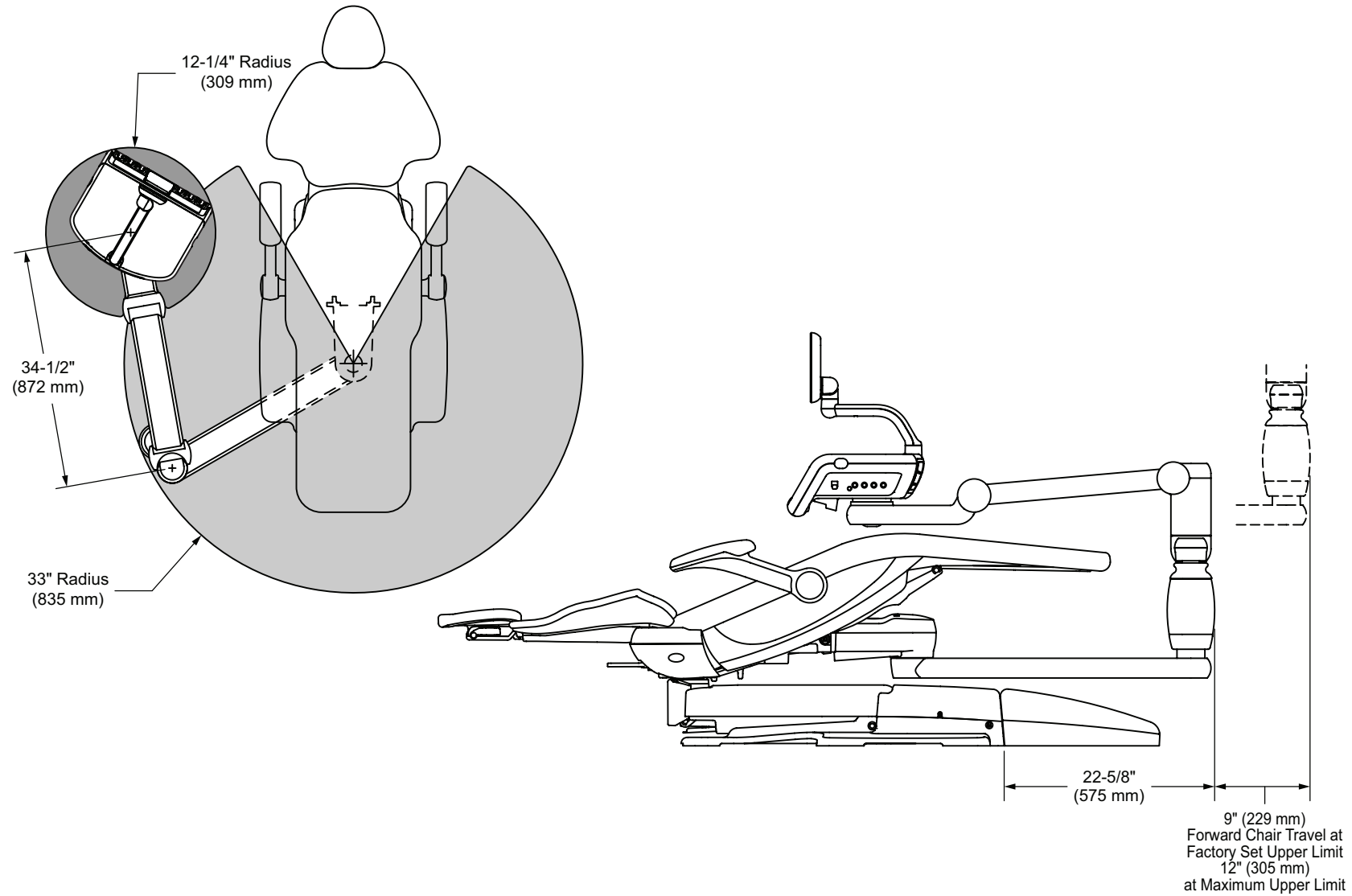
#### Plan View with Elevation

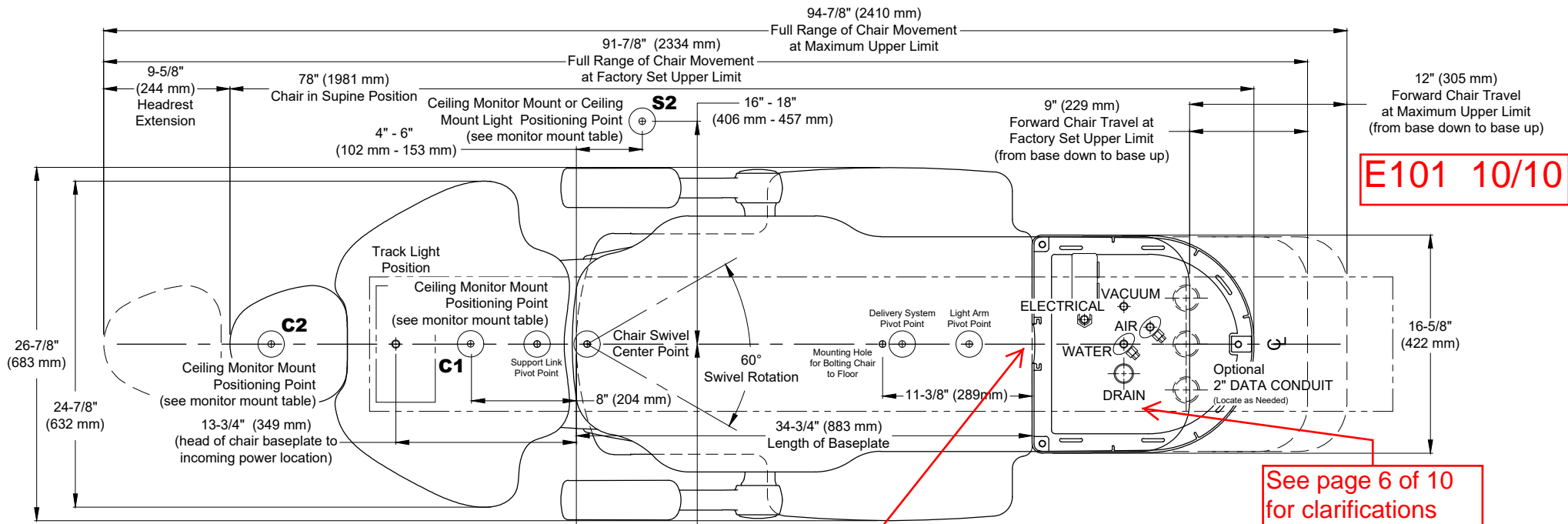


E101 9/10

### A-dec 532B Delivery System

#### Plan View with Elevation





**E101 10/10**

See page 6 of 10 for clarifications

Note: Disregard all references to ceiling mounted lights and monitors (C1, C2, S1 and S2) and Track light

Reference Point

**Recommended Monitor Mount Placement**

The table below shows recommended locations to place the A-dec Ceiling Monitor Mount. Primary recommendations minimize light and monitor arm interference.

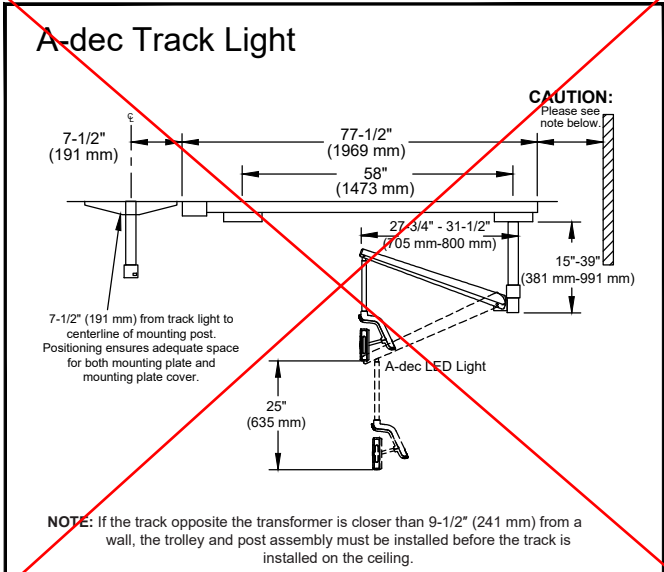
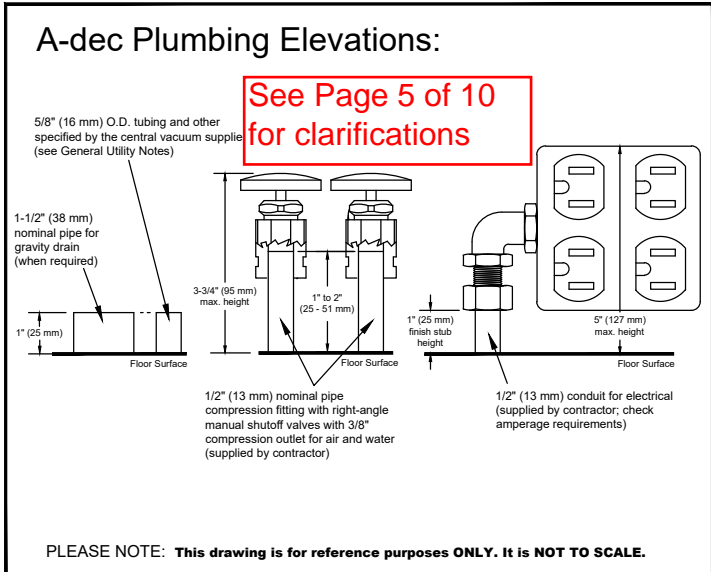
IF THE SYSTEM HAS THIS TYPE OF LIGHT:	INSTALL THE MONITOR MOUNT HERE:	
	Primary Recommendation	Secondary Recommendation
Track Mount Dental Light	C2*	S1 or S2
Ceiling Mount Dental Light	C1	S1 or S2
Chair Mount Dental Light	S1 or S2	C1
Cabinet or Wall Mounted Dental Light	S1 or S2	C1

\* If installing at C2, position the monitor mount a minimum of 6-1/2" (165 mm) in front of the track light (towards 12 o'clock).  
 \* NOTE: C2 position restricts comfortable use of monitor to only supine patient position.

**A-dec Headquarters**  
 2601 Crestview Drive Newberg, Oregon 97132 USA  
 Tel: 1.800.547.1883 Within USA /Canada  
 Fax: 1.503.538.0276 Within USA /Canada  
 Tel: 1.503.538.7478 Outside USA /Canada  
 www.a-dec.com

**A-dec 511 (Version B) Dental Chair Mini Template**

Copyright 2019 A-dec Inc. All rights reserved.  
 86.0756.00 Rev A





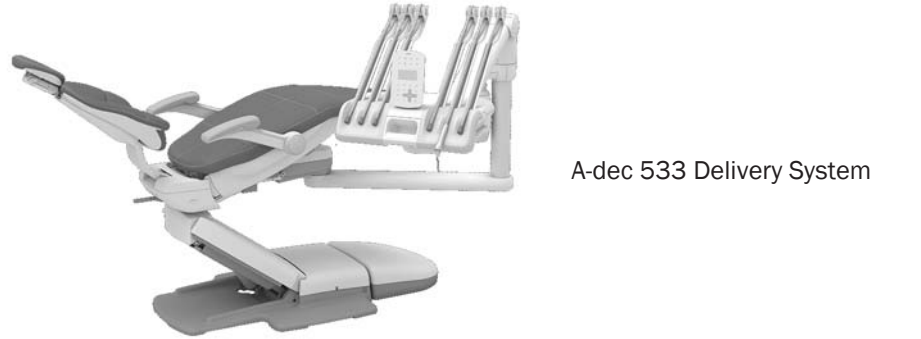
# A-dec 532/533 Delivery System

## INSTALLATION GUIDE

### Contents

- Before You Begin . . . . . 2**
- Install the Delivery System . . 3**
- Connect the Wires and Data**
- Lines . . . . . 21**
- Connect the Tubing . . . . . 22**
- Connect the Floor Box**
- Utilities. . . . . 27**
- Prepare and**
- Adjust the System. . . . . 28**
- Customize Handpiece Touchpad**
- Settings . . . . . 41**
- Test the System . . . . . 43**
- Install the Covers . . . . . 44**

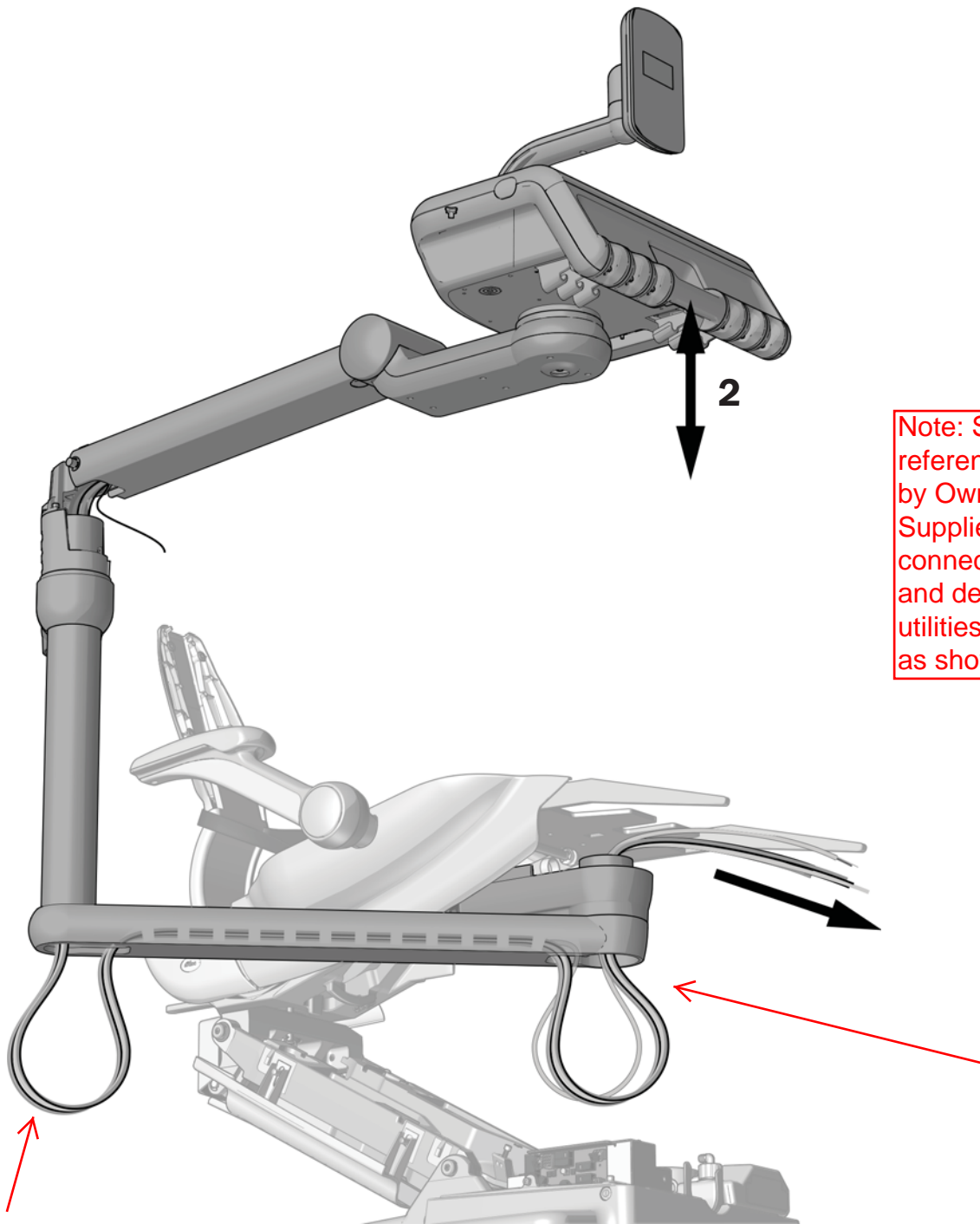
Note: Shown for reference only - installed by Owner's Equipment Supplier and tubing is connected through arm and dental chair to utilities at base of chair as shown E101



### Product Models and Versions Covered in this Document

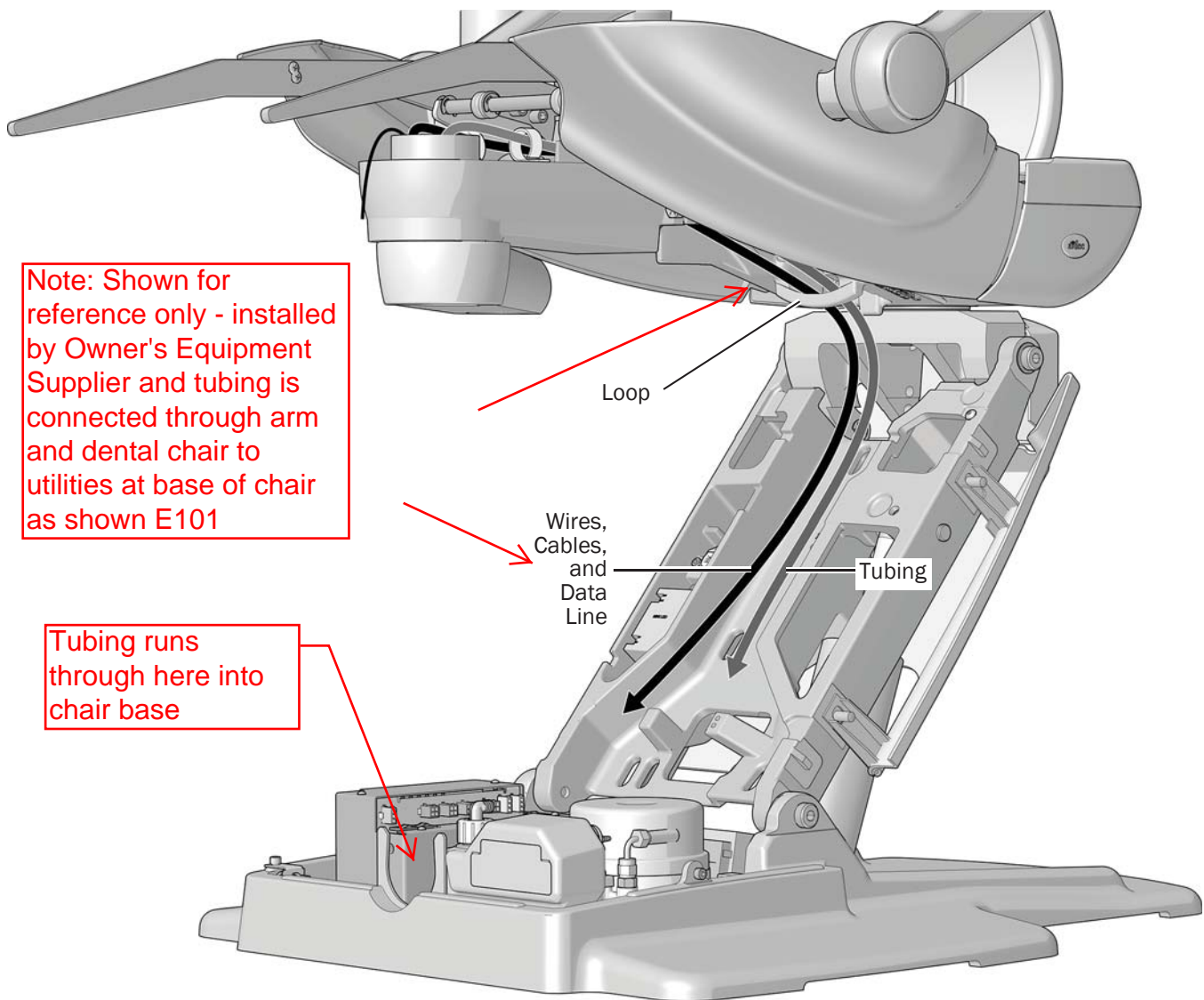
Models	Versions	Description
511	B	Dental Chair
532, 533	B	Delivery System



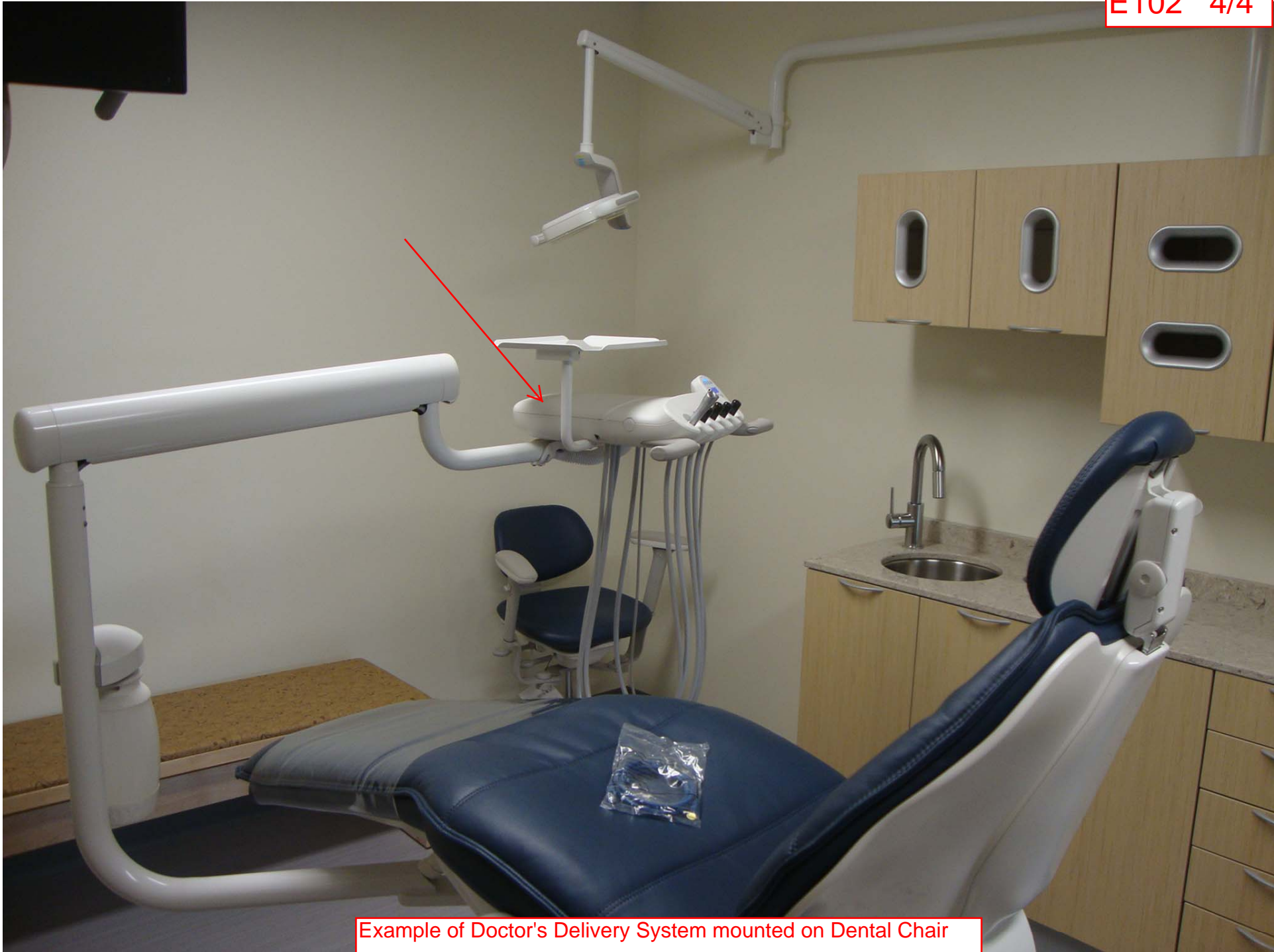
**Task 6.**

Note: Shown for reference only - installed by Owner's Equipment Supplier and tubing is connected through arm and dental chair to utilities at base of chair as shown E101

- 1** Route the umbilical through the rigid arm and up through the hole in the front mount.
- 2** Push the control head all the way down then back up to ensure there is enough play in the umbilical so that the control head can move easily.
- 3** Route the water bottle umbilical up through the hole in the front mount.

**Task 8.**

- 1** Route everything behind the loop and down the lift arm.  
Keep the wires, cables, and data lines to the left and tubing to the right.
- 2** Remove the shipping strap from the seat frame and back support.



Example of Doctor's Delivery System mounted on Dental Chair



# A-dec Inspire™ 591 Treatment Console

## INSTALLATION GUIDE



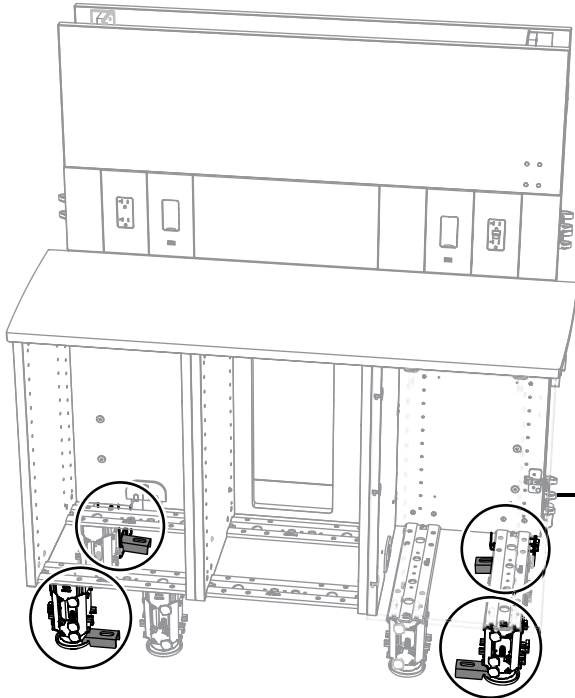
A-dec 591 ~~42"~~ Treatment Console

98"

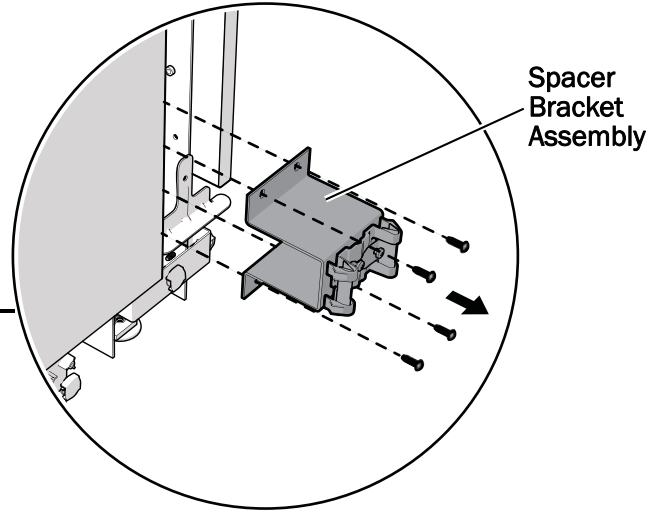
# C Anchor the Cabinet

## Determine the Anchor Locations

Reference Only - Units installed by Owners Equipment Supplier



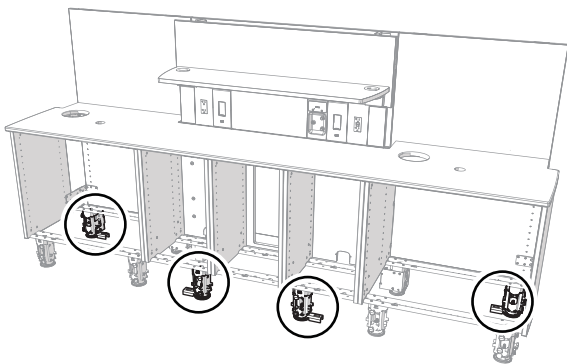
When Against a Wall (optional)



For all configurations, it is recommended to place two anchors on the front feet of the 42" (106.7 cm) section and two anchors on the support column.



**NOTE** If the cabinet is against a wall, remove the spacer bracket assembly with a Phillips head screwdriver to access the support column. Replace the bracket once the cabinet is anchored.



For 70" (177.8 cm) and 98" (248.9 cm) configurations, if it is not possible to get the rear anchors on the support column, place them on the rear outside feet.



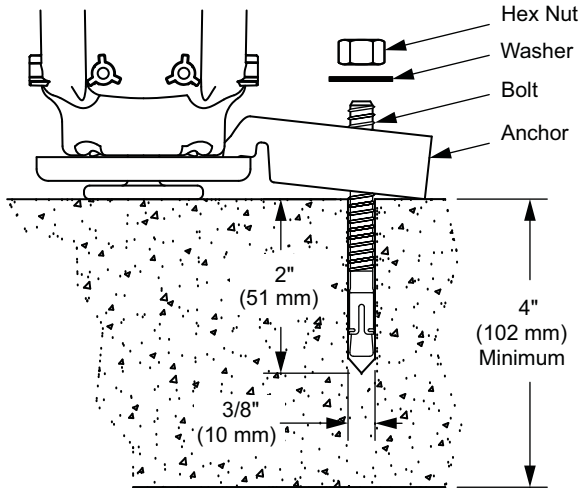
# Structural and Other Construction Requirements

E103 3/10



**NOTE** Anchoring requirements are determined by local seismic and structural codes and vary depending on the cabinet model and configuration. See the following section and the Plan View section for potential anchoring locations for specific module configurations.

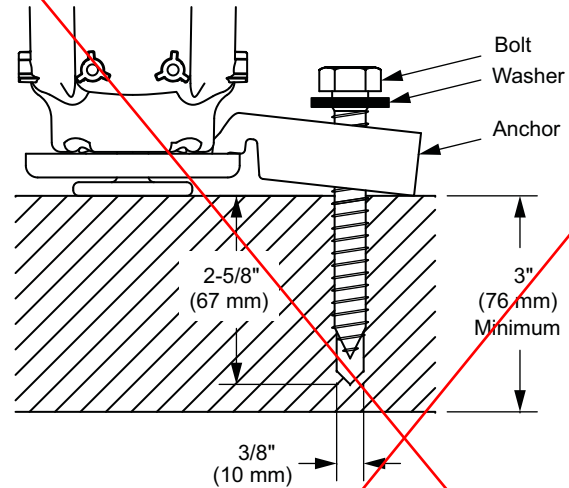
## Floor Anchoring - Concrete Floors



**NOTE** Anchors are only approved for use in slabs at least 4" (102 mm) thick. If concrete does not meet minimum requirements, consult with a licensed engineer for alternate anchors.

Reference Only - Units  
Installed by Owner's  
Equipment Supplier

## Floor Anchoring - Non-Concrete Floors



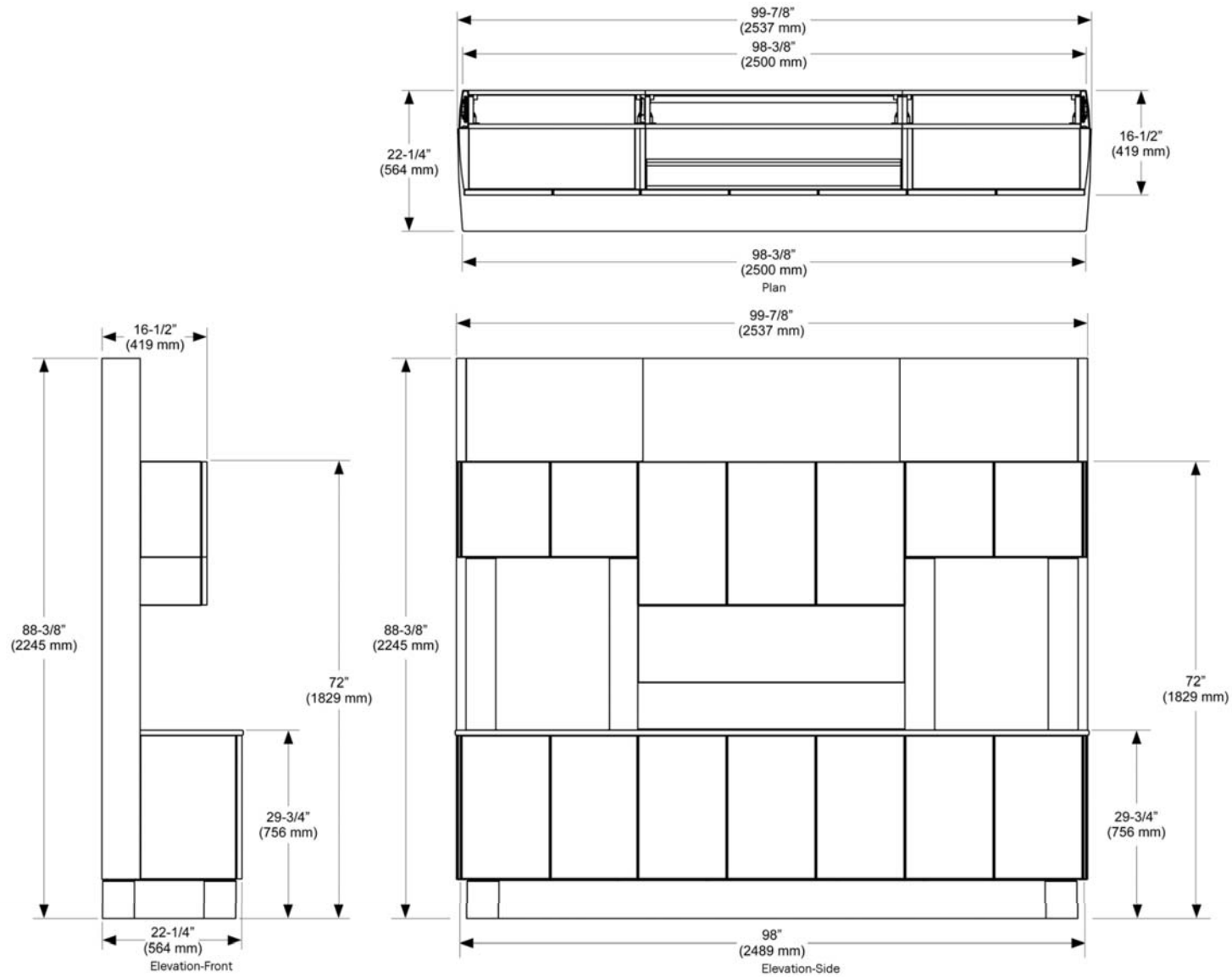
**NOTE** Anchors are only approved for use in wood flooring at least 3" (76 mm) thick. The lag screw must exceed a minimum embedment depth of 2-5/8" (67 mm). If the flooring material does not meet minimum requirements, consult with a licensed contractor about adding reinforcements.



**NOTE** Some local seismic or structural codes may require additional anchoring, which may, in turn, require additional wood flooring support. Contact A-dec Customer Service for more information.

E103 4/10

### A-dec Inspire 591 - 98" Full Treatment Console



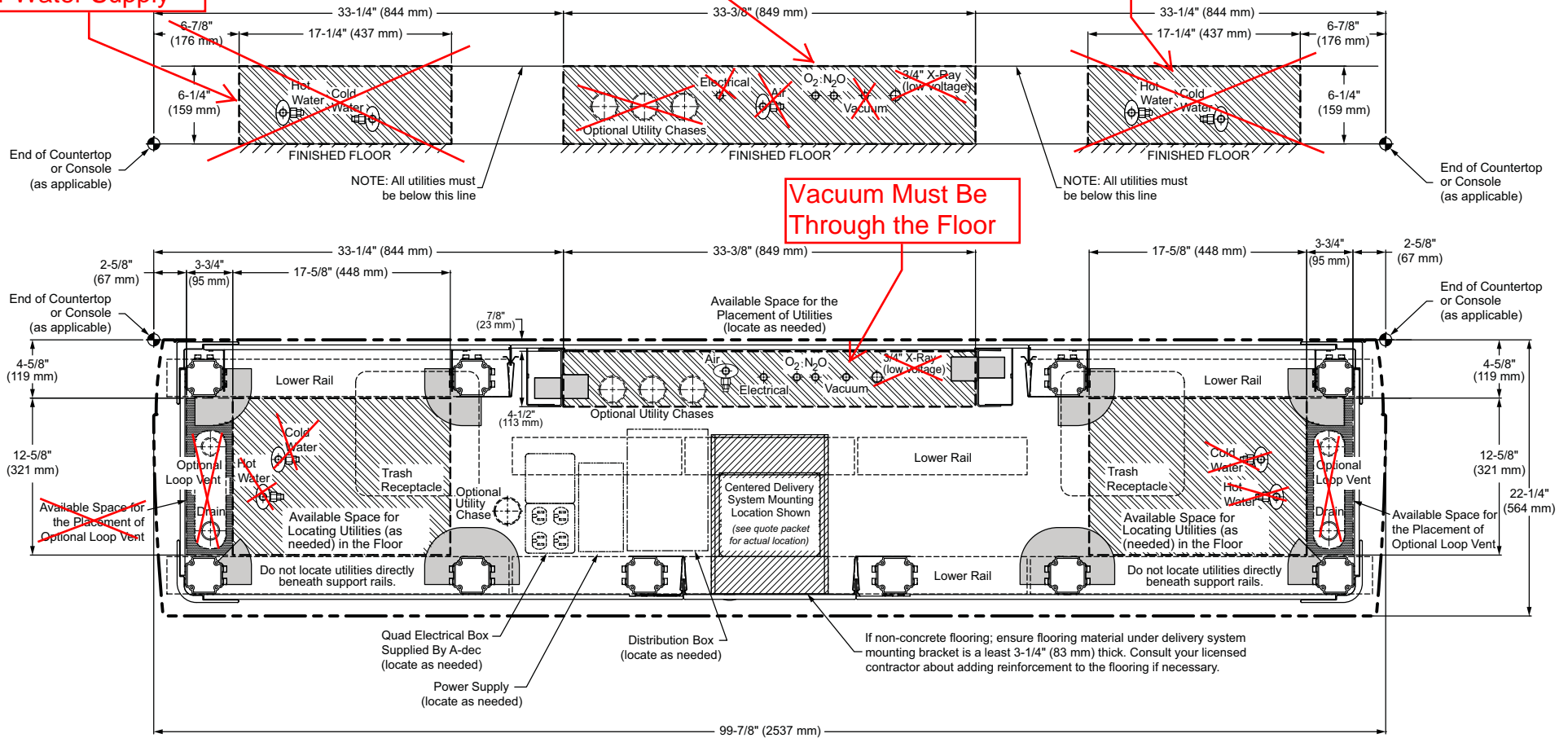
**591 - 98" Treatment Console, Dual Sink**

See Page 6 of 10 for Water Supply

Nitrous Oxide & Oxygen May Be Through Wall if Lines are run Overhead

See Page 6 of 10 for Water Supply

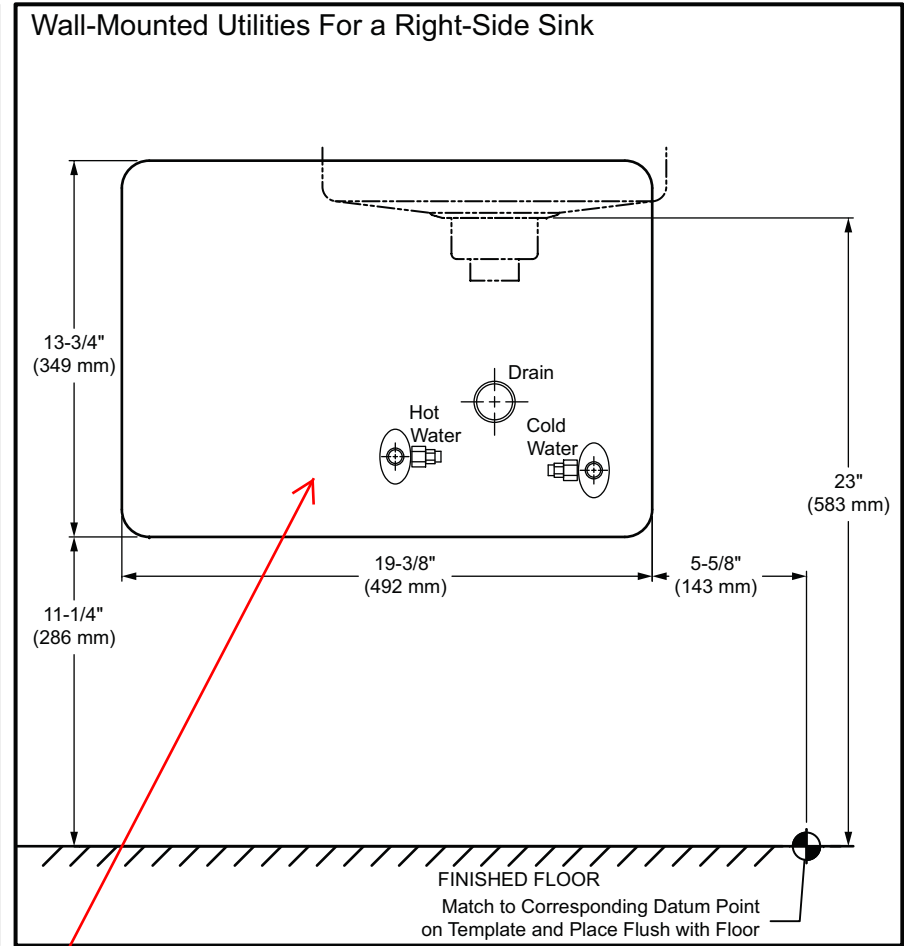
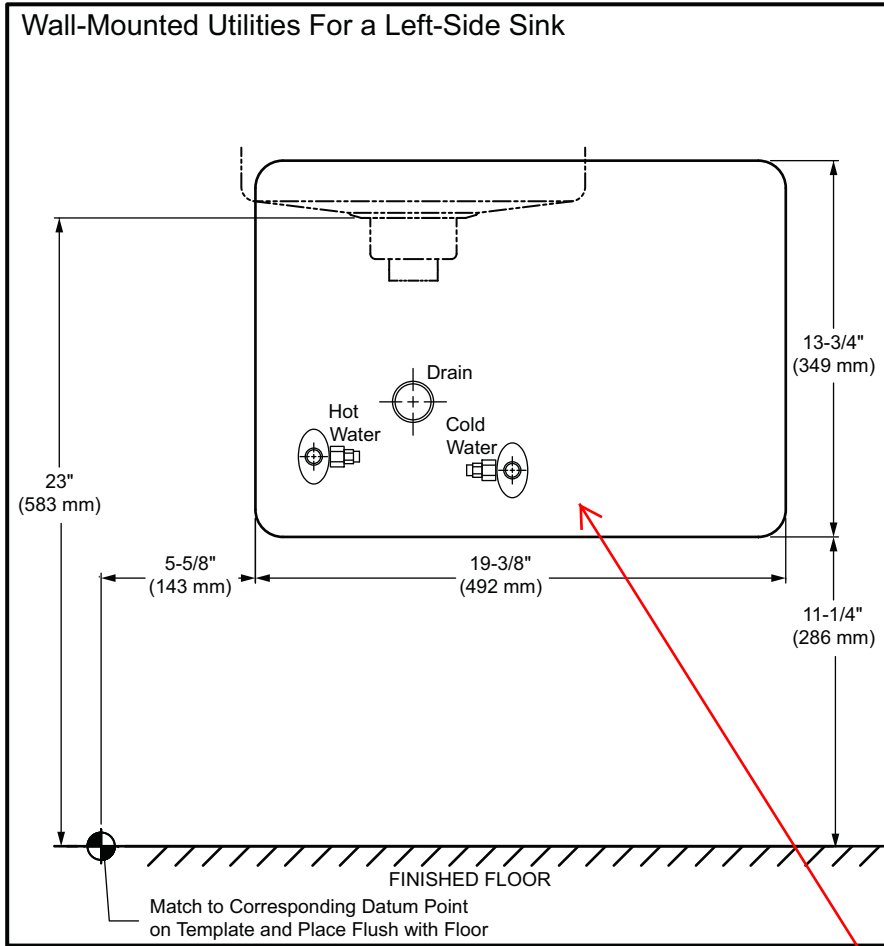
E103 5/10



Potential Anchor Locations

Wall Utilities are an option in this location if they fit back to back as occurs. Combination of wall & floor may be an option. Utilities are preferred to be through the floor from below.





Hot water, Cold water and waste to be located in this area to fit within back panel cutout

# Utility Specifications

E103 7/10

## Specifications Table

Utility	Rough-In	Finish	Requirements
Air	Protrude 3" (76 mm)	Protrude 1" (25.4 mm) for 3/8" compression	80-125 psi (550 to 860 kPa), 2.5 scfm (71 sL/min) minimum, during normal use (7.5 scfm [210 sL/min] peak intermittent flow). Flush lines prior to making connections to dental equipment.
Water	Protrude 3" (76 mm)	Protrude 1" (25.4 mm) for 3/8" compression	60 ± 20 psi (410 ±140 kPa), 1.5 gpm (5.7 L/min) minimum, not to exceed 40 °C (104 °F). Flush lines prior to making connections to dental equipment.
Central vacuum	Protrude 3" (76 mm)	Protrude 1" (25.4 mm) for 5/8" (15.9 mm) O.D. tubing and other specified by the central vacuum supplier	<del>Wet Systems: 10 ± 2 inches of Hg (34 ± 7 kPa) and 9 scfm (255 sL/min) minimum. Dry/Semi-dry Systems 4.5 ± 1 inches of Hg (16 ± 3.5 kPa) and 12 scfm (340 sL/min) minimum.</del>
Electrical	1/2" conduit to protrude 3" (76 mm)  Low voltage conduit (2" diameter) for select 594s. For more information, see "Electrical Rough-In Operatory Example" on page 10.	Protrude 1" (25.4 mm)	Make connection to junction box using 1/2" (13 mm) flexible conduit as needed. Wire box per code.
Gravity drain	Protrude 3" (76 mm)	Protrude 1" (25.4 mm)	Basket strainer connects to 1-1/4" or 1-1/2" flanged tailpiece.

See page 8 of 10 and refer to Drawings for Locations

Refer to Vacuum Equipment Supplier and Drawings for actual size of Piping Branches and Main Lines

~~See "Plan Views" on page 25 for information on the locations of utilities.~~

# Electrical Specifications

## Electrical Rough-In

A contractor should supply the x-ray junction box, wiring, conduit and flex conduit. The conduit must protrude 3" (76 mm) from the finished floor.

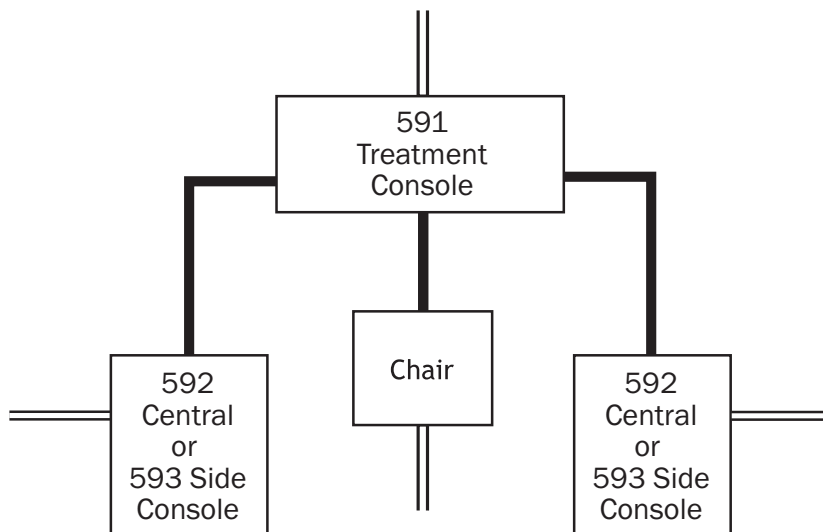
Use the 1/2" flex conduit, as required, to connect the 3" (76 mm) piece from the floor to the junction box. Wire as per local and national electrical codes.

The low voltage conduit is used for routing data lines and touchpad wires, not for line voltage.

If you plan on connecting and controlling LED task lights on all cabinets from the Control Center, consider this during the rough-in.

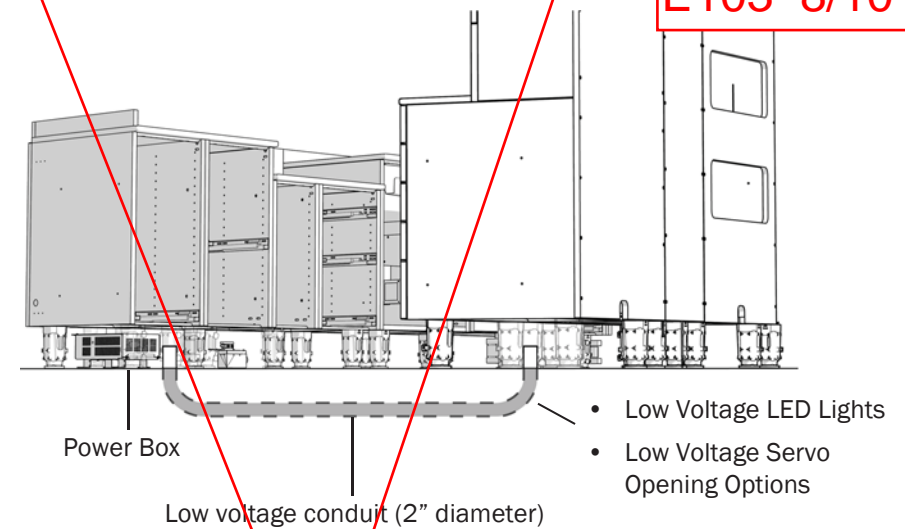
## Electrical Rough-In Operatory Example

- ==== = Line voltage conduit
- = Low voltage conduit (2" diameter)



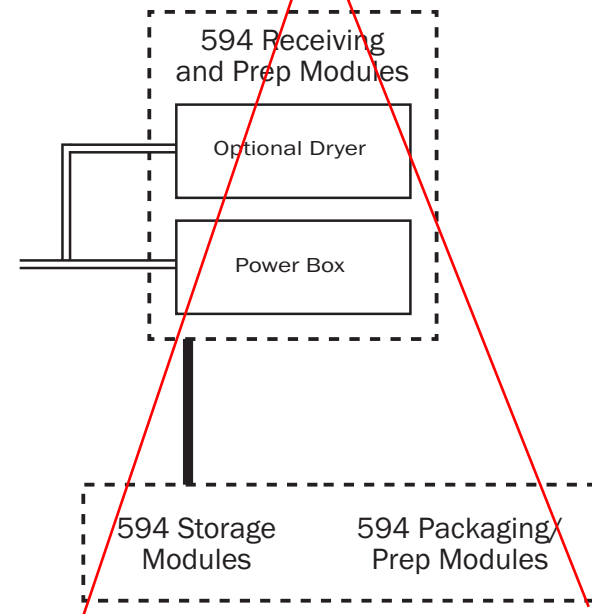
## Electrical Rough-In 594 Galley Example

E103 8/10



## Electrical Rough-In, Sterilization Center Example (galley)

- ==== = Line voltage conduit
- = Low voltage conduit (2" diameter)



## Electrical Connection to Mains

E103 9/10

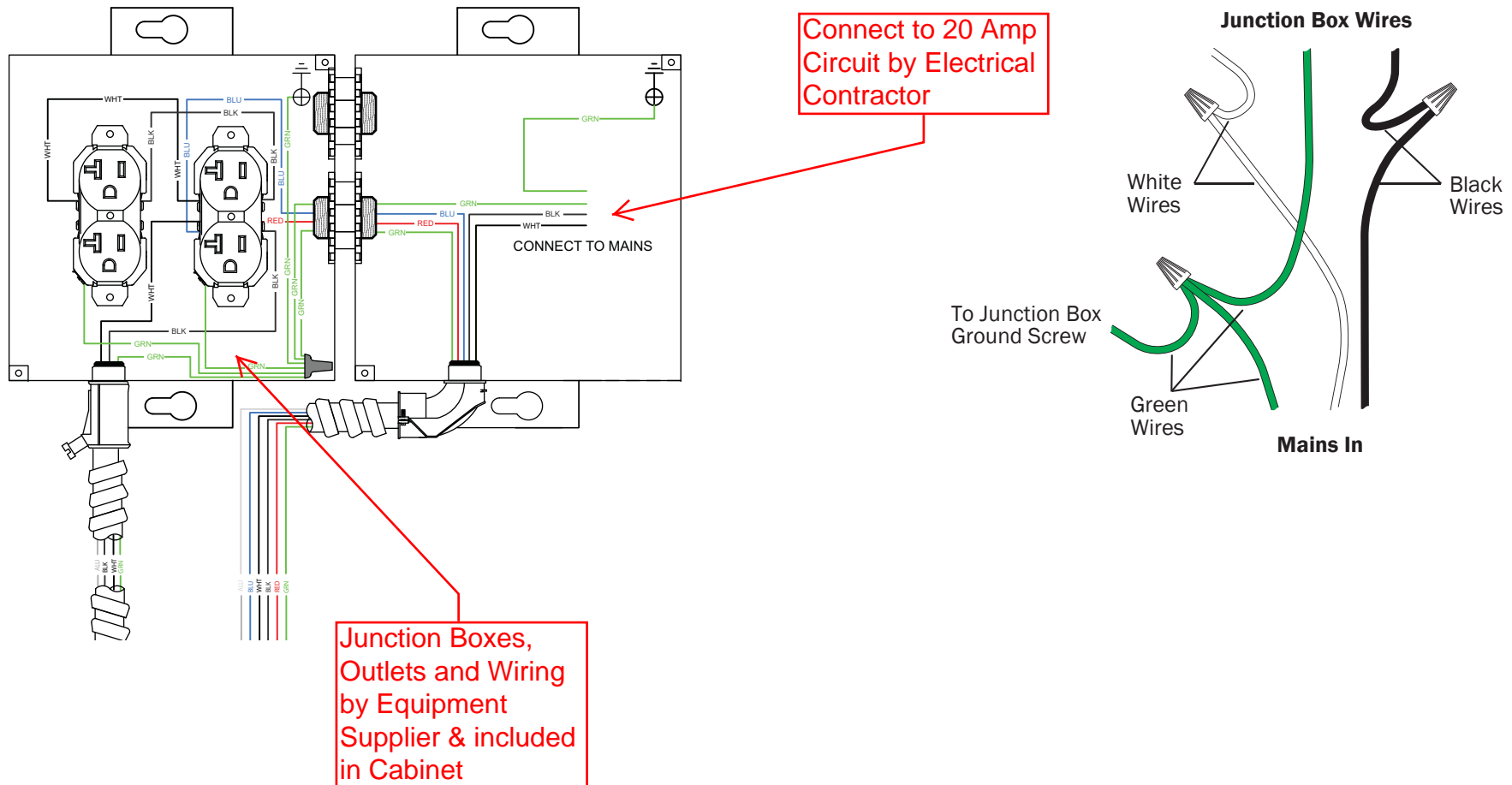


**CAUTION** Local regulation requires licensed electricians to install electrical utilities. All electrical utilities must conform to prevailing local codes. Final electrical connections will be required after the equipment is placed.



**NOTE** Connect incoming power to a 20 A circuit breaker.

Mains power is connected at the junction box located in the cabinet base. See the example below:



## Operating Current for Ancillary Devices/Operatory

Ancillary Device	Typical Operating Current (Amps) @ 110-120 VAC
Distribution Box <i>(control center, task lights, ICV®)</i>	2.0
Distribution Box <i>(control center, task lights, ICV, plus optional devices plugged into auxiliary outlets)</i>	9.0 duplex output = 7 A max
Monitor	1.1
Intraoral Camera	2.0
Curing Light	2.0
Amalgamator	2.3
Ultrasonic Scaler	0.9
X-Ray Viewer	0.4

Ancillary Devices Vary  
from Room to Room -  
This is a Reference List



**NOTE** Connect incoming power to each cabinet to a 20 A circuit breaker. The table above shows typical current draw for various devices that might be installed in a cabinet. Always consult the device nameplate for actual power requirements. Ancillary equipment may have substantial power requirements and should be considered when determining total treatment room branch circuits.

## Operating Current for Ancillary Devices/ 594 Sterilization Center

Ancillary Device	Typical Operating Current (Amps) @ 110-120 VAC
Instrument Dryer	14.5
Power Box	4.5



**NOTE** When an instrument dryer is selected, the cabinet (dryer and power box) must be connected to a dedicated 20 A 120 VAC circuit. To prevent nuisance tripping of the circuit breaker and to ensure proper operation of the dryer and power box functions, no other loads can be included on this circuit.

## Additional Electrical Requirements for the E103 10/10

### Instrument Dryer

For the instrument dryer, A-dec provides a junction box in the sink module. A licensed electrician will need to connect the junction box to mains power.

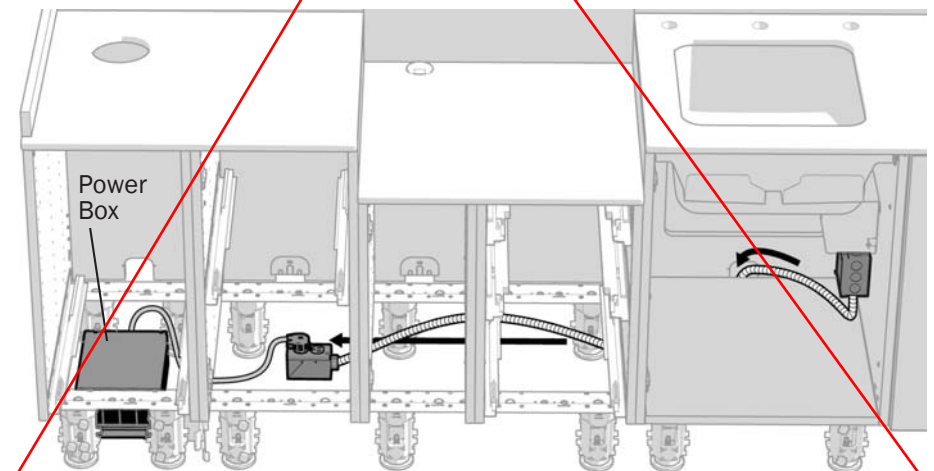
### Power Box/Individual Servo Power Supply

For the power box, the contractor will need to locate a duplex outlet in the base area under the receiving module. Locate the duplex outlet:

- in the floor under the receiving modules,
- in the base of the wall behind the receiving modules, or
- on the end of a conduit provided by a licensed electrician, wired to the junction box under the sink, and long enough to reach the receiving modules and/or Sterile Servo modules.
- in the floor under Sterile Storage modules

### Ancillary Devices

For ancillary devices, such as sterilizers and ultrasonic cleaners, provide the electrical supply in the space noted on the utility/back panel templates, or anchor it to the floor in the base area. Refer to the device manufacturer for supply requirements. There are no electrical duplex receptacles supplied with the A-dec Inspire 594 Sterilization Cabinets. These must be provided by the contractor.





# A-dec Inspire™ 591 Treatment Console

## INSTALLATION GUIDE



Custom - Flat Left  
End with Side  
Splash

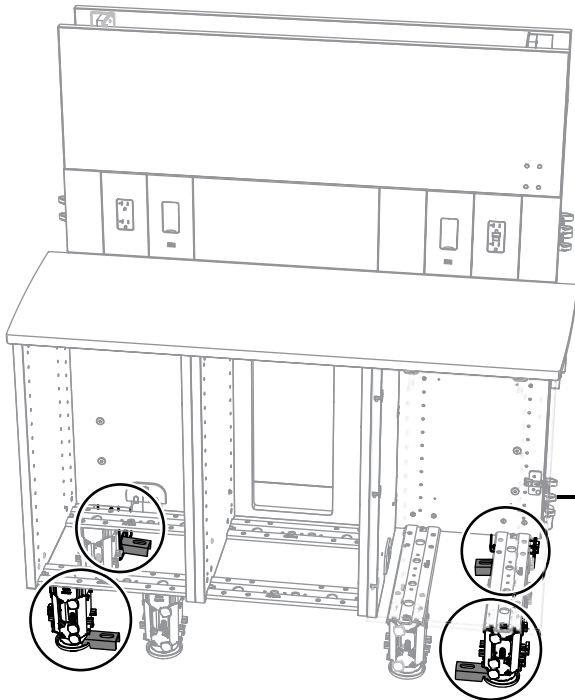
A-dec 591 ~~42"~~ Treatment Console

98"

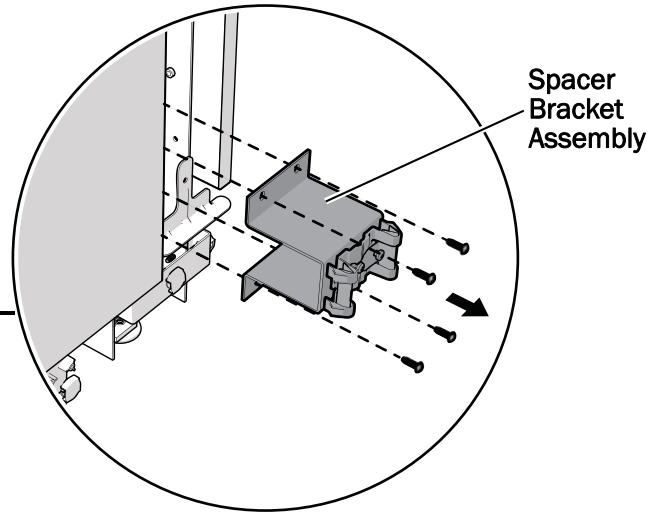
# C Anchor the Cabinet

## Determine the Anchor Locations

Reference Only - Units installed by Owners Equipment Supplier



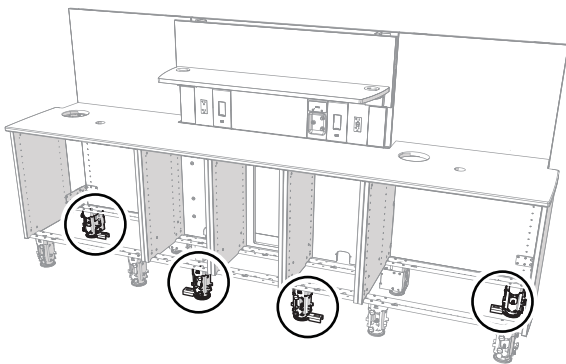
When Against a Wall (optional)



For all configurations, it is recommended to place two anchors on the front feet of the 42" (106.7 cm) section and two anchors on the support column.



**NOTE** If the cabinet is against a wall, remove the spacer bracket assembly with a Phillips head screwdriver to access the support column. Replace the bracket once the cabinet is anchored.



For 70" (177.8 cm) and 98" (248.9 cm) configurations, if it is not possible to get the rear anchors on the support column, place them on the rear outside feet.

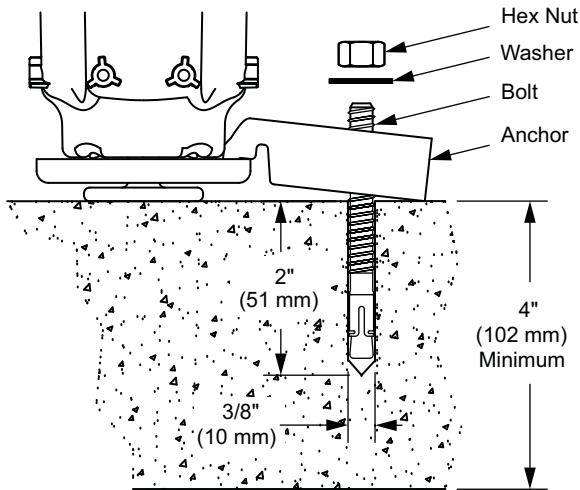
# Structural and Other Construction Requirements

E104 3/10



**NOTE** Anchoring requirements are determined by local seismic and structural codes and vary depending on the cabinet model and configuration. See the following section and the Plan View section for potential anchoring locations for specific module configurations.

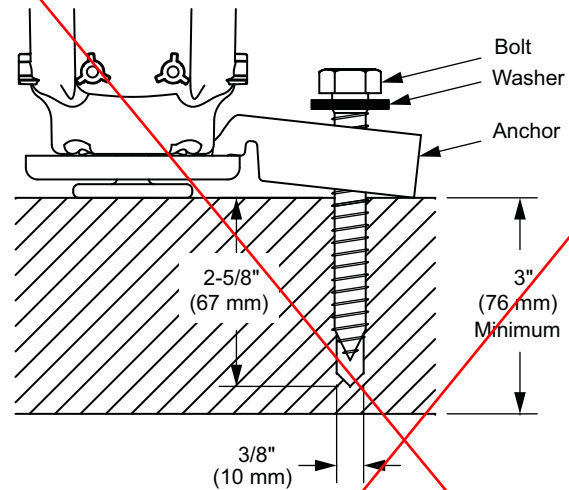
## Floor Anchoring - Concrete Floors



**NOTE** Anchors are only approved for use in slabs at least 4" (102 mm) thick. If concrete does not meet minimum requirements, consult with a licensed engineer for alternate anchors.

Reference Only - Units  
Installed by Owner's  
Equipment Supplier

## Floor Anchoring - Non-Concrete Floors



**NOTE** Anchors are only approved for use in wood flooring at least 3" (76 mm) thick. The lag screw must exceed a minimum embedment depth of 2-5/8" (67 mm). If the flooring material does not meet minimum requirements, consult with a licensed contractor about adding reinforcements.



**NOTE** Some local seismic or structural codes may require additional anchoring, which may, in turn, require additional wood flooring support. Contact A-dec Customer Service for more information.

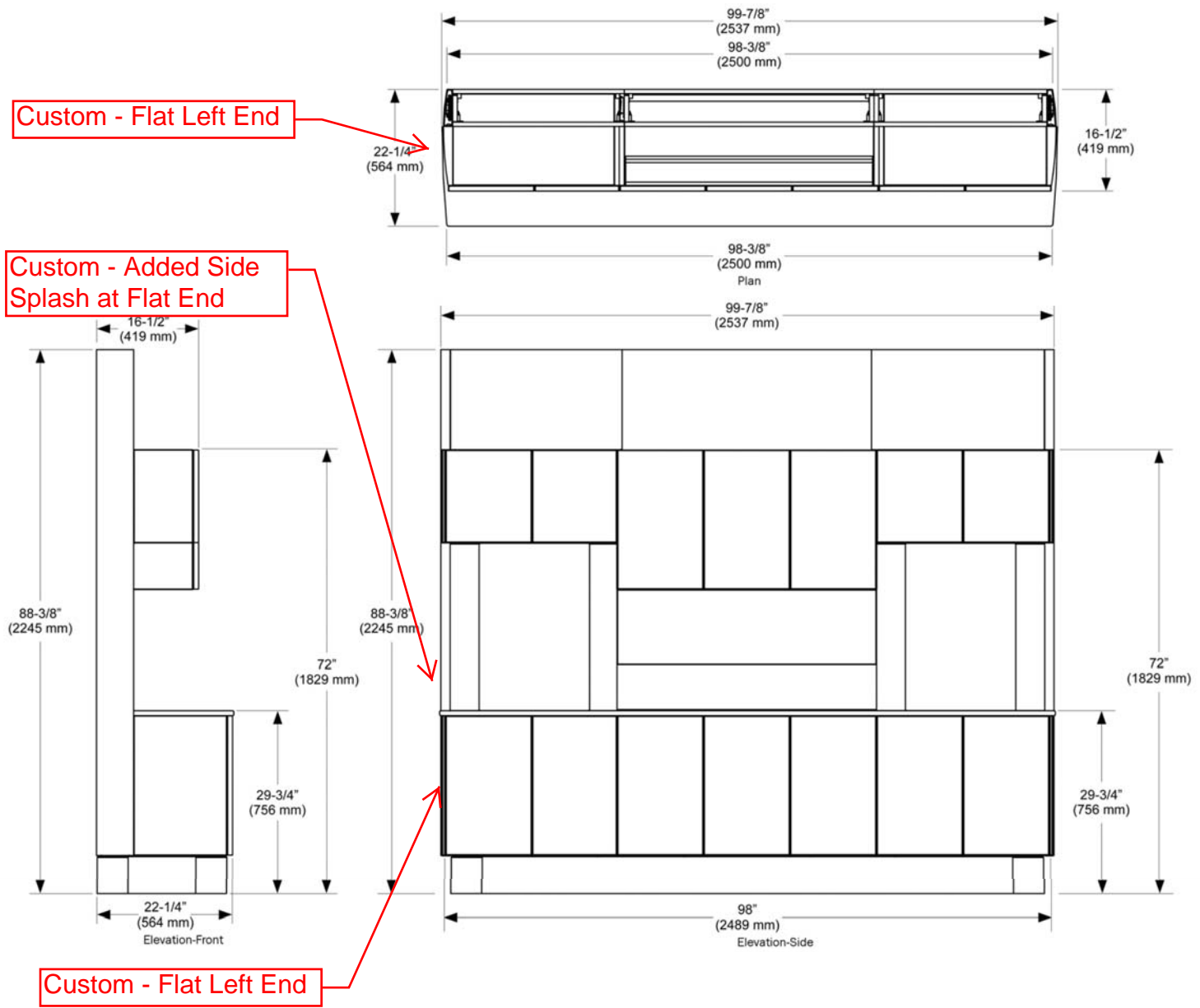


E104 4/10

### A-dec Inspire 591 - 98" Full Treatment Console

Custom - Flat Left End

Custom - Added Side Splash at Flat End



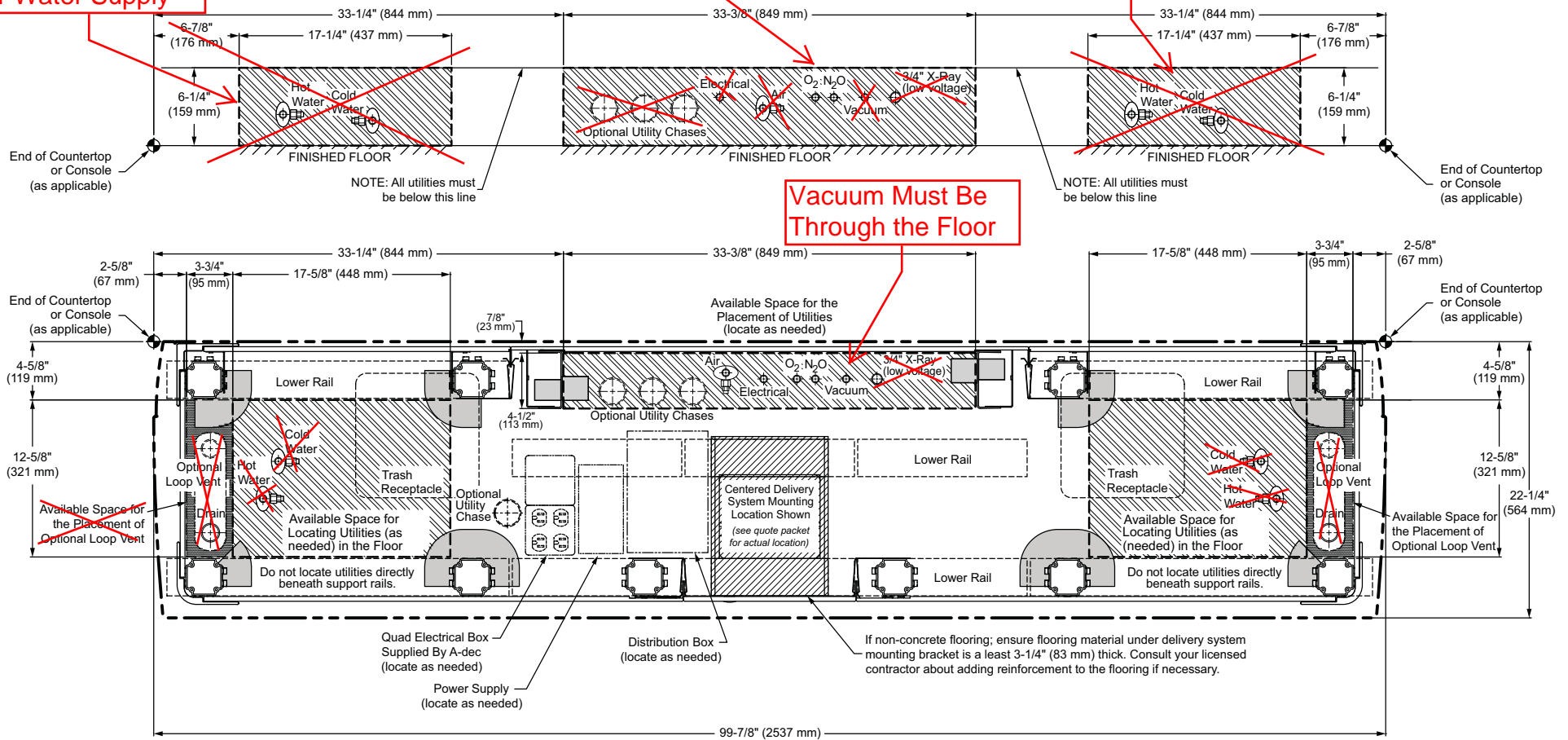
**591 - 98" Treatment Console, Dual Sink**

See Page 6 of 10 for Water Supply

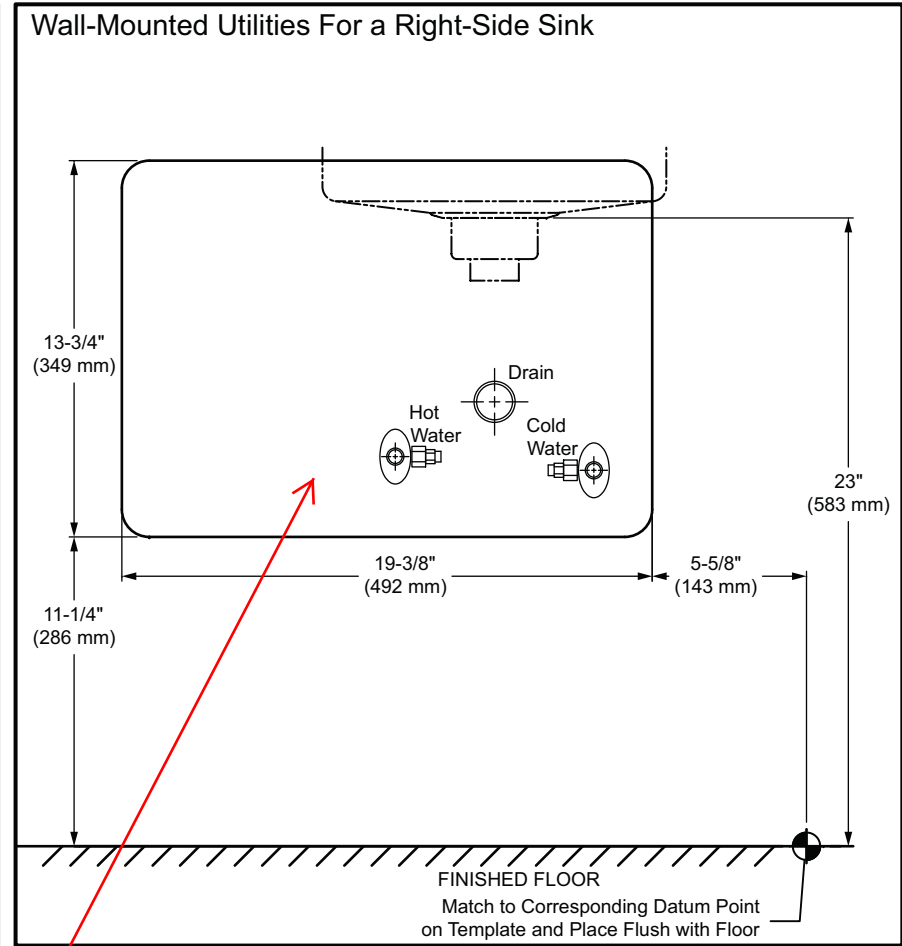
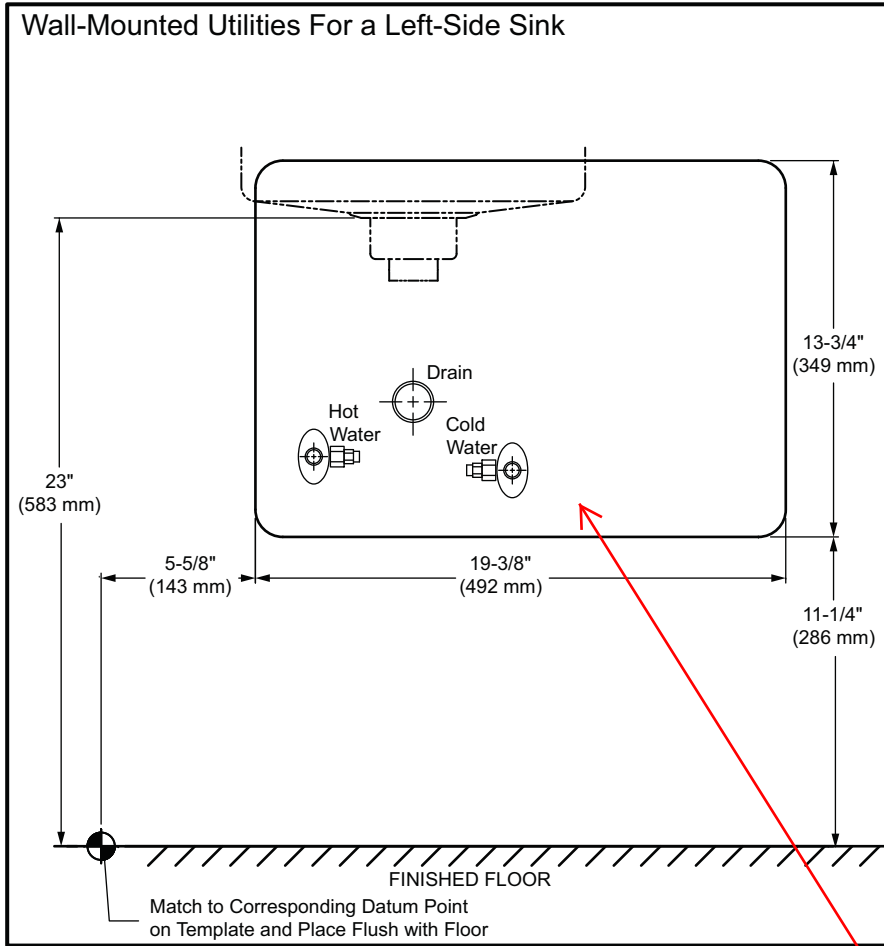
Nitrous Oxide & Oxygen May Be Through Wall if Lines are run Overhead

See Page 6 of 10 for Water Supply

E104 5/10



Wall Utilities are an option in this location if they fit back to back as occurs. Combination of wall & floor may be an option. Utilities are preferred to be through the floor from below.



Hot water, Cold water and waste to be located in this area to fit within back panel cutout

# Utility Specifications

E104 7/10

## Specifications Table

Utility	Rough-In	Finish	Requirements
Air	Protrude 3" (76 mm)	Protrude 1" (25.4 mm) for 3/8" compression	80-125 psi (550 to 860 kPa), 2.5 scfm (71 sL/min) minimum, during normal use (7.5 scfm [210 sL/min] peak intermittent flow). Flush lines prior to making connections to dental equipment.
Water	Protrude 3" (76 mm)	Protrude 1" (25.4 mm) for 3/8" compression	60 ± 20 psi (410 ±140 kPa), 1.5 gpm (5.7 L/min) minimum, not to exceed 40 °C (104 °F). Flush lines prior to making connections to dental equipment.
Central vacuum	Protrude 3" (76 mm)	Protrude 1" (25.4 mm) for 5/8" (15.9 mm) O.D. tubing and other specified by the central vacuum supplier	<del>Wet Systems: 10 ± 2 inches of Hg (34 ± 7 kPa) and 9 scfm (255 sL/min) minimum.</del> Dry/Semi-dry Systems 4.5 ± 1 inches of Hg (16 ± 3.5 kPa) and 12 scfm (340 sL/min) minimum.
Electrical	1/2" conduit to protrude 3" (76 mm)  Low voltage conduit (2" diameter) for select 594s. For more information, see "Electrical Rough-In Operatory Example" on page 10.	Protrude 1" (25.4 mm)	Make connection to junction box using 1/2" (13 mm) flexible conduit as needed. Wire box per code.
Gravity drain	Protrude 3" (76 mm)	Protrude 1" (25.4 mm)	Basket strainer connects to 1-1/4" or 1-1/2" flanged tailpiece.

See page 8 of 10 and refer to Drawings for Locations

Refer to Vacuum Equipment Supplier and Drawings for actual size of Piping Branches and Main Lines

~~See "Plan Views" on page 25 for information on the locations of utilities.~~

# Electrical Specifications

## Electrical Rough-In

A contractor should supply the x-ray junction box, wiring, conduit and flex conduit. The conduit must protrude 3" (76 mm) from the finished floor.

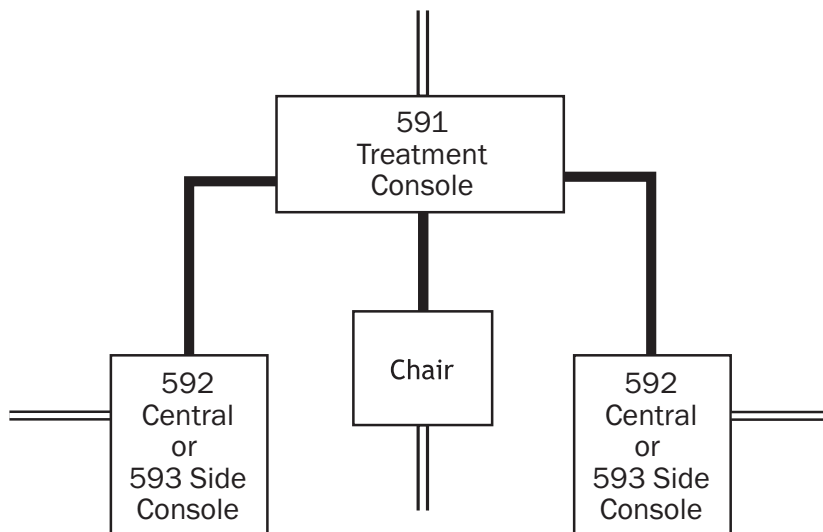
Use the 1/2" flex conduit, as required, to connect the 3" (76 mm) piece from the floor to the junction box. Wire as per local and national electrical codes.

The low voltage conduit is used for routing data lines and touchpad wires, not for line voltage.

If you plan on connecting and controlling LED task lights on all cabinets from the Control Center, consider this during the rough-in.

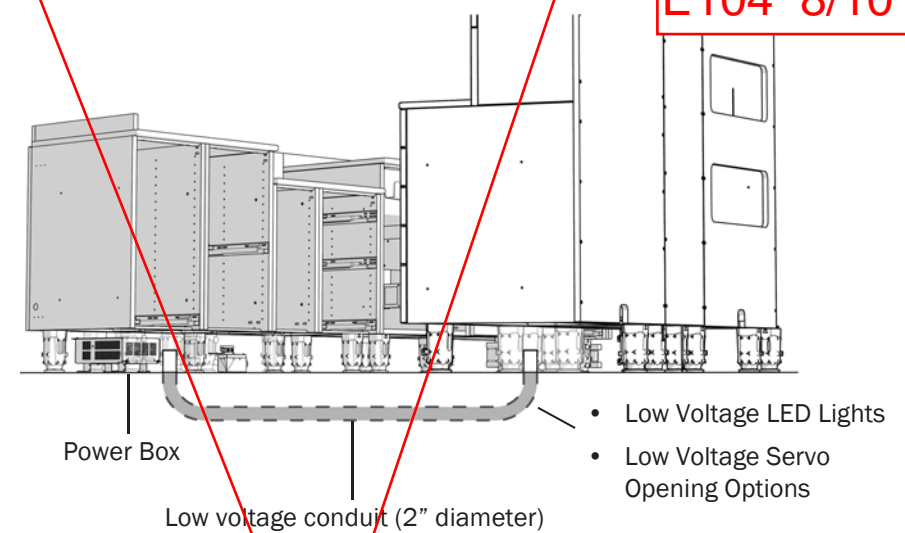
## Electrical Rough-In Operatory Example

- ==== = Line voltage conduit
- = Low voltage conduit (2" diameter)



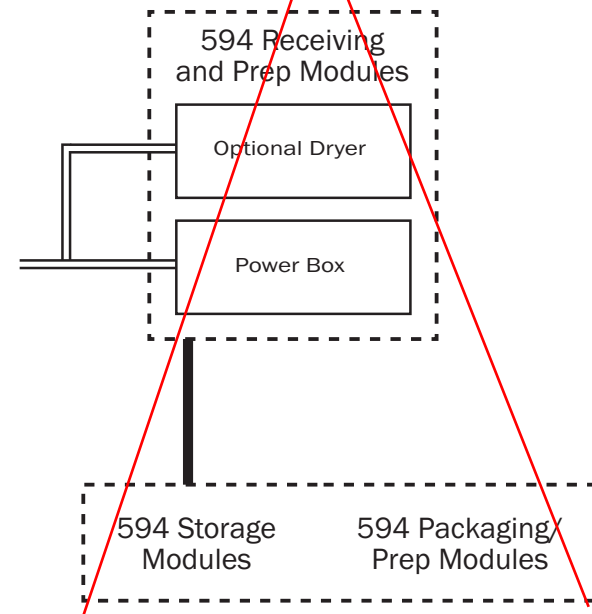
## Electrical Rough-In 594 Galley Example

E104 8/10



## Electrical Rough-In Sterilization Center Example (galley)

- ==== = Line voltage conduit
- = Low voltage conduit (2" diameter)



## Electrical Connection to Mains

E104 9/10

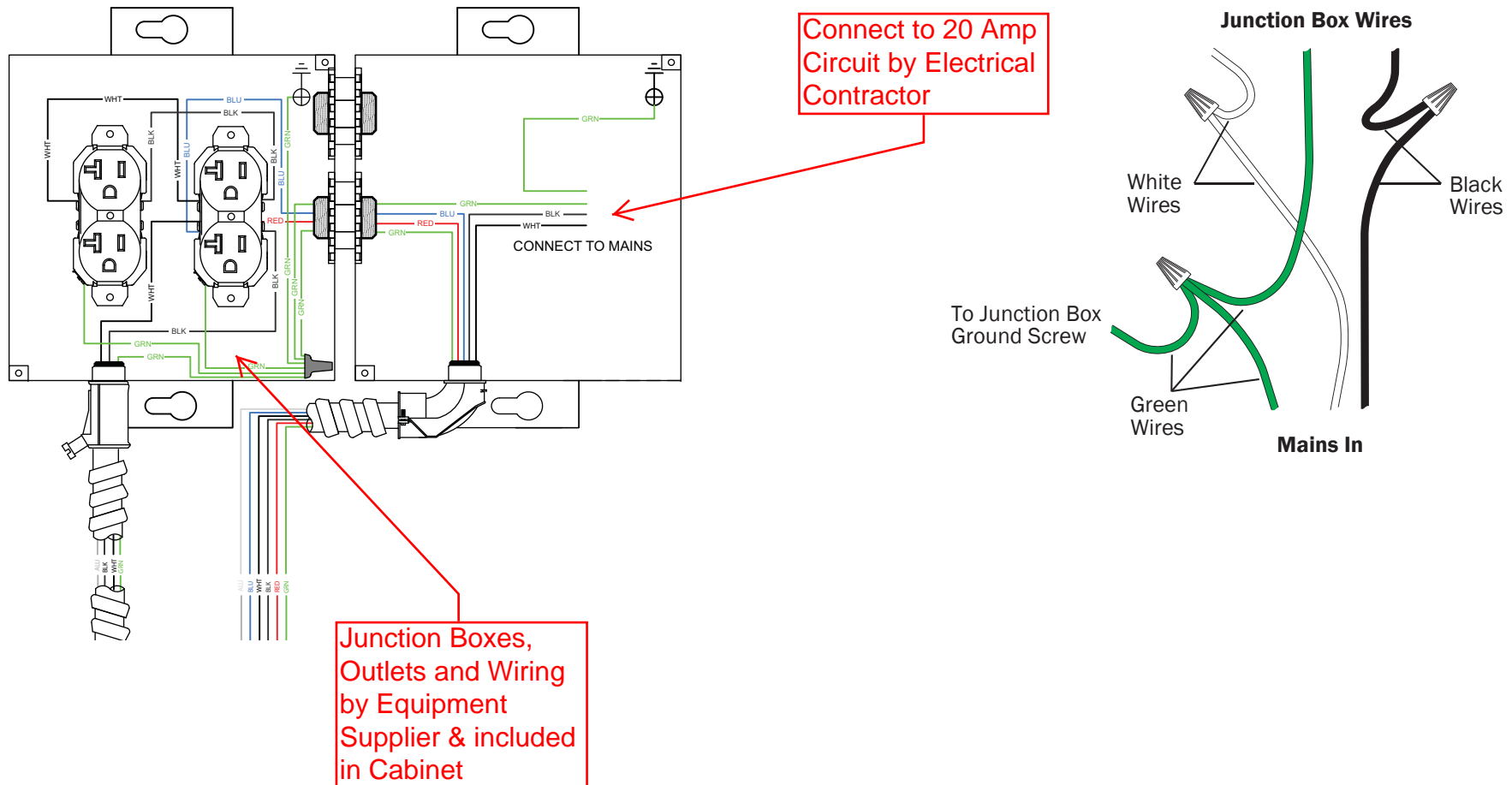


**CAUTION** Local regulation requires licensed electricians to install electrical utilities. All electrical utilities must conform to prevailing local codes. Final electrical connections will be required after the equipment is placed.



**NOTE** Connect incoming power to a 20 A circuit breaker.

Mains power is connected at the junction box located in the cabinet base. See the example below:



## Operating Current for Ancillary Devices/Operatory

Ancillary Device	Typical Operating Current (Amps) @ 110-120 VAC
Distribution Box <i>(control center, task lights, ICV®)</i>	2.0
Distribution Box <i>(control center, task lights, ICV, plus optional devices plugged into auxiliary outlets)</i>	9.0 duplex output = 7 A max
Monitor	1.1
Intraoral Camera	2.0
Curing Light	2.0
Amalgamator	2.3
Ultrasonic Scaler	0.9
X-Ray Viewer	0.4

Ancillary Devices Vary  
from Room to Room -  
This is a Reference List



**NOTE** Connect incoming power to each cabinet to a 20 A circuit breaker. The table above shows typical current draw for various devices that might be installed in a cabinet. Always consult the device nameplate for actual power requirements. Ancillary equipment may have substantial power requirements and should be considered when determining total treatment room branch circuits.

## Operating Current for Ancillary Devices/ 594 Sterilization Center

Ancillary Device	Typical Operating Current (Amps) @ 110-120 VAC
Instrument Dryer	14.5
Power Box	4.5



**NOTE** When an instrument dryer is selected, the cabinet (dryer and power box) must be connected to a dedicated 20 A 120 VAC circuit. To prevent nuisance tripping of the circuit breaker and to ensure proper operation of the dryer and power box functions, no other loads can be included on this circuit.

## Additional Electrical Requirements for the E104 10/10

### Instrument Dryer

For the instrument dryer, A-dec provides a junction box in the sink module. A licensed electrician will need to connect the junction box to mains power.

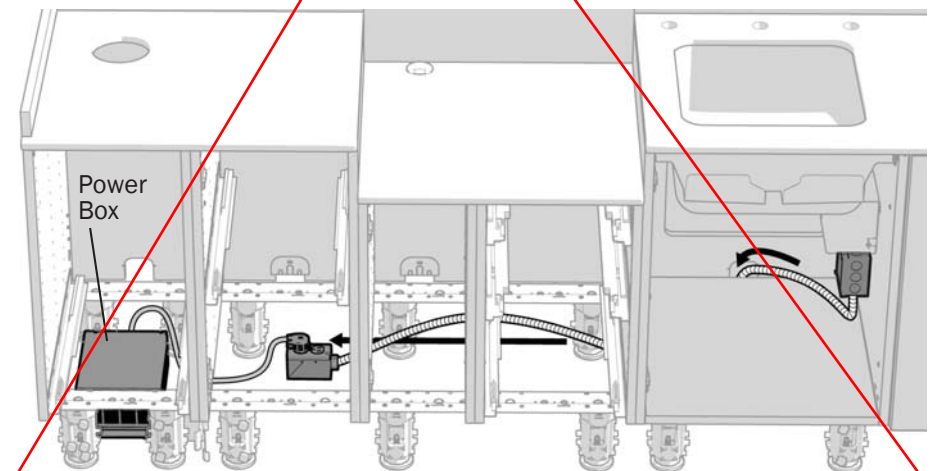
### Power Box/Individual Servo Power Supply

For the power box, the contractor will need to locate a duplex outlet in the base area under the receiving module. Locate the duplex outlet:

- in the floor under the receiving modules,
- in the base of the wall behind the receiving modules, or
- on the end of a conduit provided by a licensed electrician, wired to the junction box under the sink, and long enough to reach the receiving modules and/or Sterile Servo modules.
- in the floor under Sterile Storage modules

### Ancillary Devices

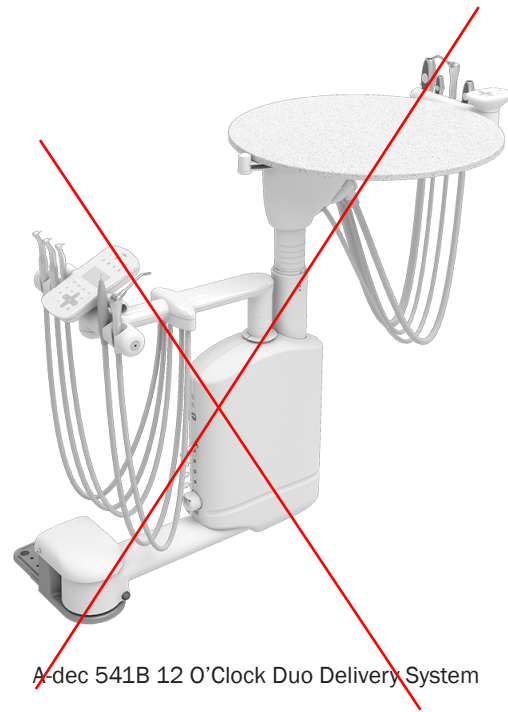
For ancillary devices, such as sterilizers and ultrasonic cleaners, provide the electrical supply in the space noted on the utility/back panel templates, or anchor it to the floor in the base area. Refer to the device manufacturer for supply requirements. There are no electrical duplex receptacles supplied with the A-dec Inspire 594 Sterilization Cabinets. These must be provided by the contractor.



# A-dec 541 Duo Delivery System and 545 Assistant's Instrumentation

## Contents

<b>Pre-Installation Notes and Cautions</b> .....	<b>1</b>
<b>Wall Construction Requirements</b> .....	<b>1</b>
Standard Wood Wall Construction.....	1
Non-Standard Wall Construction.....	1
<b>Other Construction Requirements</b> .....	<b>2</b>
Floor Mounting – Concrete Floors.....	2
Floor Mounting – Non-Concrete Floors.....	2
<b>Utility Specifications</b> .....	<b>3</b>
Electrical Ratings.....	4
<b>Shipping Weights</b> .....	<b>4</b>
<b>Documentation References</b> .....	<b>4</b>
<b>Plan Views and Dimensions</b> .....	<b>5</b>
Utility Placement.....	5
Utility Elevations.....	5
A-dec 541B/545 Plan View with Elevation.....	6
A-dec 541A/545 Plan View with Elevation.....	7
A-dec 541/545 Range of Motion.....	8
Standard Wood Wall Construction, 2" x 6" (38 mm x 140 mm) Minimum.....	9
Standard Wood Wall Construction with Utilities, 2" x 6" (38 mm x 140 mm) Minimum.....	10
Non-Standard Wall Construction with Utilities, 7-1/2" (191 mm) Depth Minimum.....	11
Cabinet Mount Utilities.....	12
Foot Control Wall Plate.....	13
Umbilical Pass-Through.....	13



A-dec 541B 12 O'Clock Duo Delivery System



A-dec 545 12 O'Clock Assistant's Instrumentation

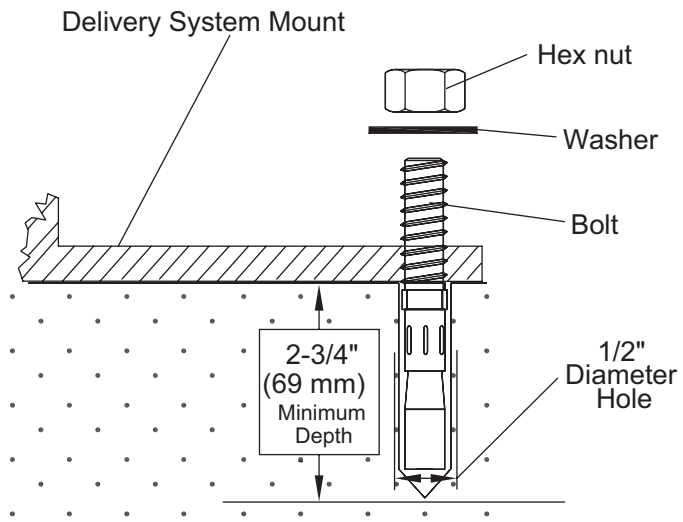


**E105 2/4**

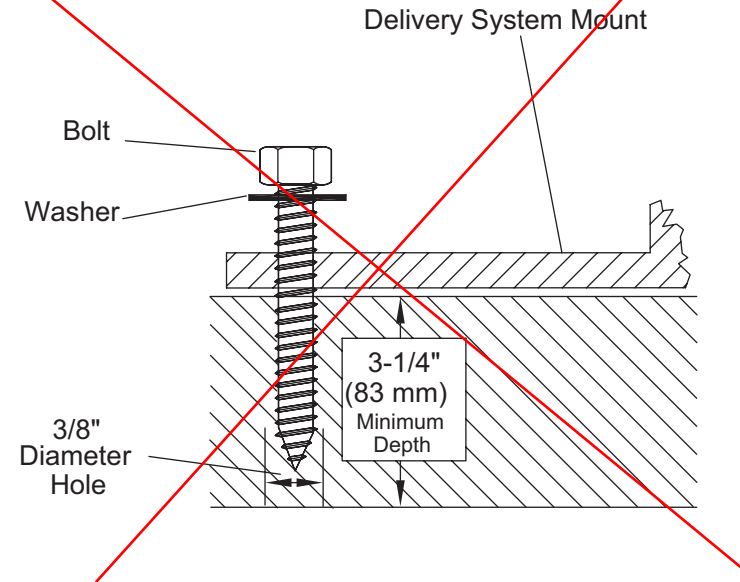
## Other Construction Requirements

If the flooring material is not as thick as shown in the images below, consult your licensed contractor about adding reinforcement to the flooring.

### Floor Mounting - Concrete Floors



### Floor Mounting - Non-Concrete Floors



**E105 3/4**

## Electrical Ratings

Power	Required Electrical Supply
<del>240 Volt</del>	<del>220–240 VAC, 50–60 Hz, 5 Amps minimum</del>
120 Volt	110–120 VAC, 50–60 Hz, 10 Amps minimum



**IMPORTANT** For additional electrical specifications, see the *Regulatory Information, Specifications, and Warranty* document (p/n 86.0221.00), which is available in the Resource Center at [www.a-dec.com](http://www.a-dec.com).

## Shipping Weights

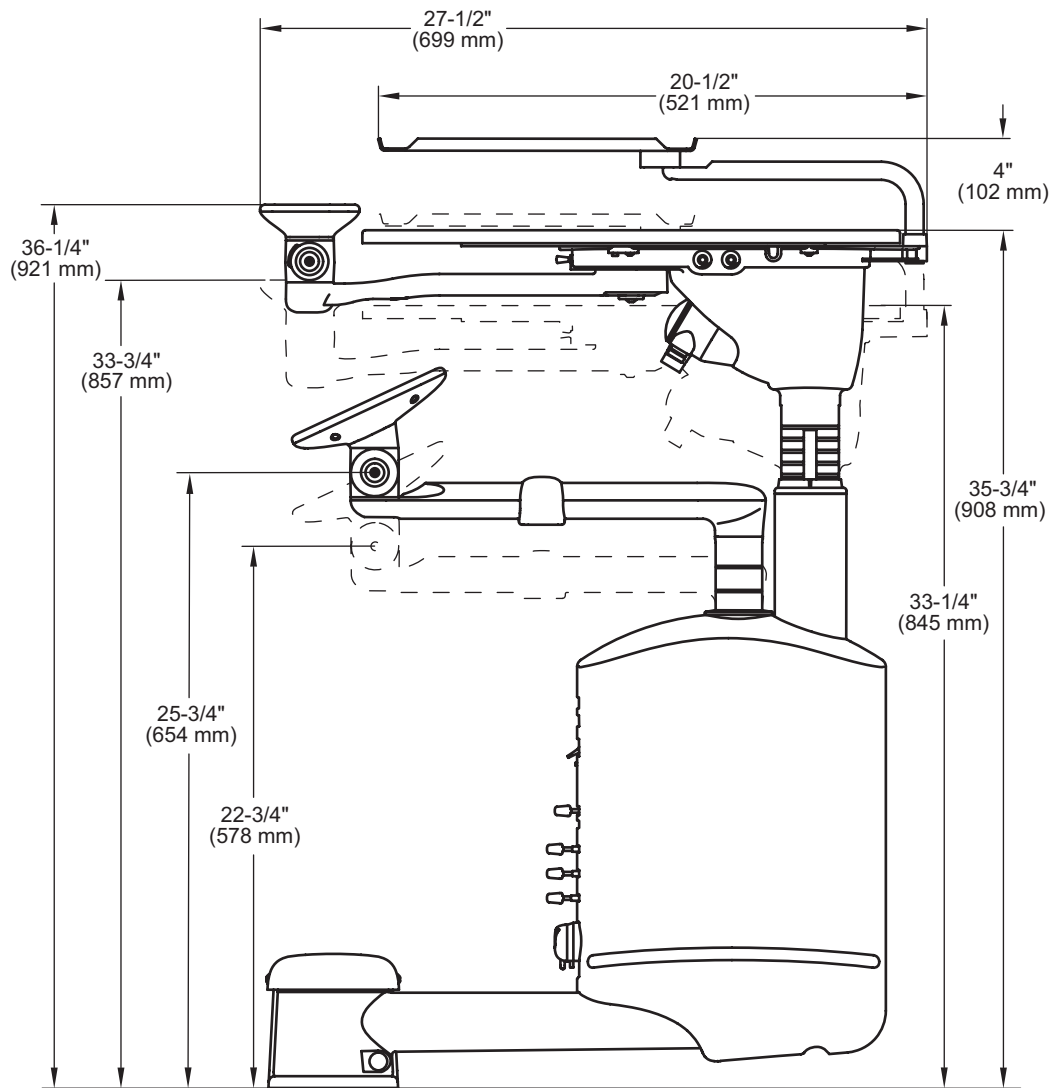
Product/Box	Estimated Shipping Weight
<del>A-dec 541 Delivery System</del>	<del>94 lb (43 kg)</del>
A-dec 545 Assistant's Instrumentation	89 lb (40 kg)

## Documentation References

Document Title	Part Number
<b>Template</b>	
<i>541/545 Delivery Systems Stand-Alone Applications</i>	85.0050.00
<b>Installation Guides</b>	
<i>A-dec 541/545 Delivery System Mount Installation Guide</i>	86.0003.00
<i>A-dec 541 Duo Delivery System and 545 Assistant's Instrumentation Installation Guide</i>	86.0763.00

E105 4/4

~~A-dec 541A~~/545 Plan View with Elevation



# SIDE CONSOLES

## WALL-MOUNTED CABINETS

Extra storage on the wall keeps countertops and workspaces neat and tidy. Add to that a concealed light mount and the look is effortlessly streamlined and orderly.

Wall-mounted cabinet options: 28" storage or dispenser, 56" storage and dispenser combination, or 48" X-ray storage insert.

### FEATURED HIGHLIGHTS

- Adjustable glass shelves organize and store treatment supplies.
- Contemporary design emphasizes productivity and technology integration.
- Versatile wall-mounting design allows optimum positioning above wash stations.
- X-ray pass-through storage (x-ray storage insert) allows access to either treatment room, reducing equipment costs.
- Complete integrated dispenser for cups, towels, masks and gloves keeps essential items neatly organized.
- Full suspension door track (x-ray storage insert) opens and closes smoothly and easily.
- Integrated mount incorporates A-dec dental light or monitor mount.

## LOWER ONLY

More than just storage, the lower side console offers advantages ranging from a barrier dispenser to sharps disposal, keeping equipment and materials well organized and within reach.

Side console (lower only) available lengths: 28", 42", 56", 70" or 84".

### FEATURED HIGHLIGHTS

- Maximizes storage and dispensing from either side of the treatment room.
- Extra-wide drawers provide easy access to materials and allow you to organize colored bins to meet your materials management strategy.
- Various cabinet depths allow versatility where space is limited.
- Accommodates A-dec 542 side delivery system (84" cabinet only).



56" dispenser and storage combination shown with LED dental light.



~~56"~~ lower side console houses ancillary devices.

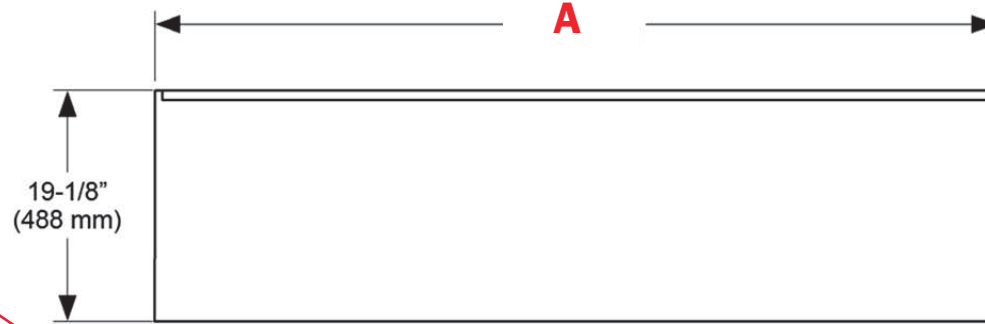
\*Dimensions reflect countertop length. Cabinet footprint is an additional 2".

# 593 - 70" Lower Side Console, 19" Depth with 34" Countertop Height

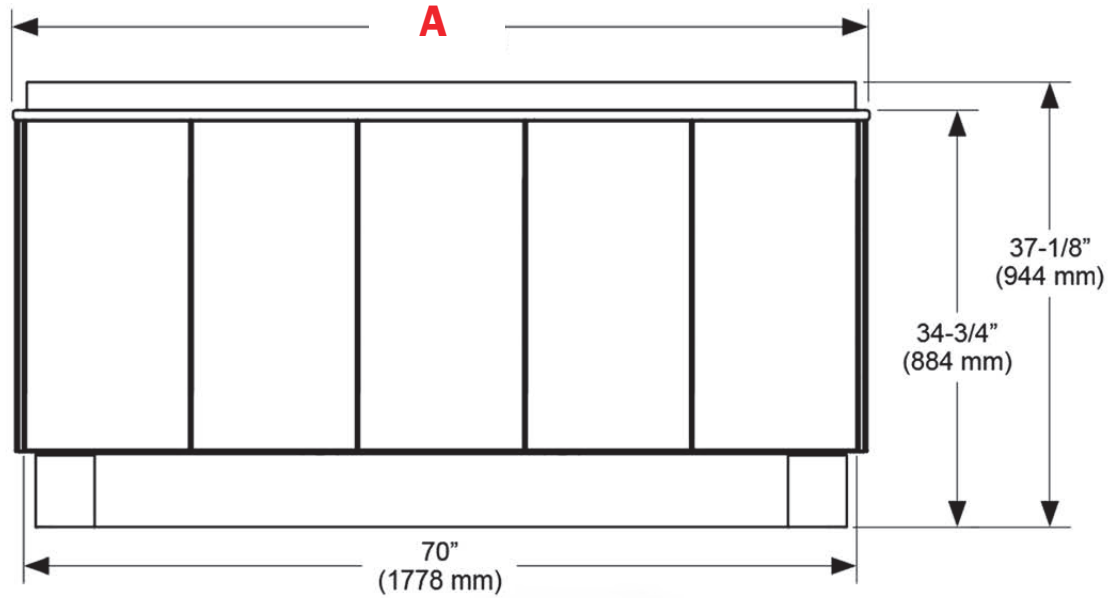
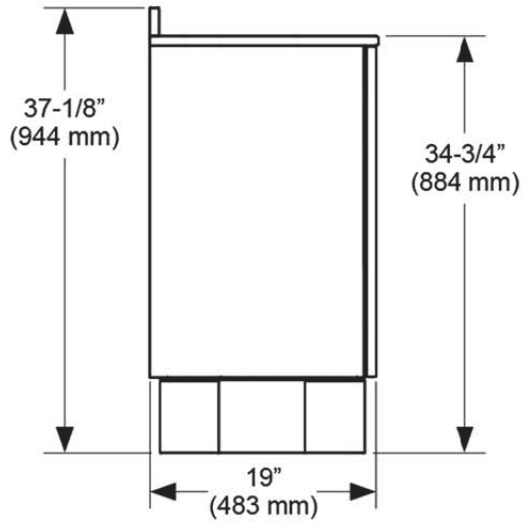
E106 2/4

**A**

End Cap Configuration	Width
Both flat	70-1/2" (1791 mm)
Both curved	71-7/8" (1825 mm)
Curved-flat	71-1/8" (1807 mm)



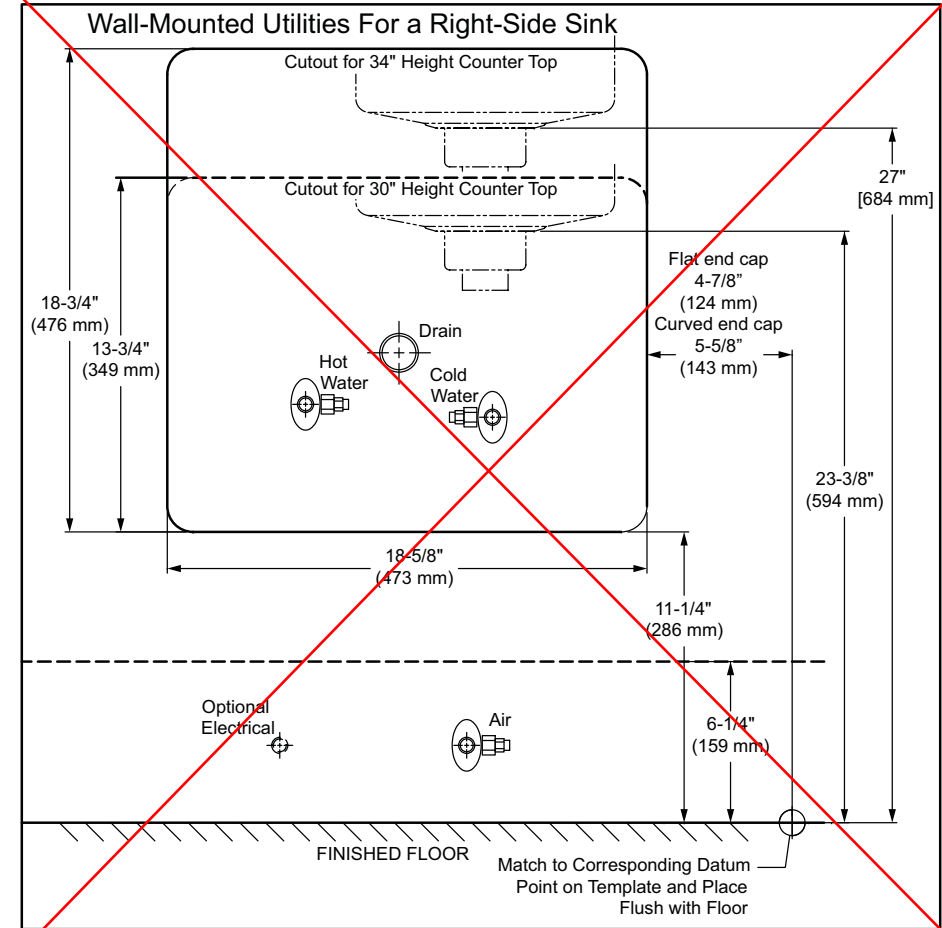
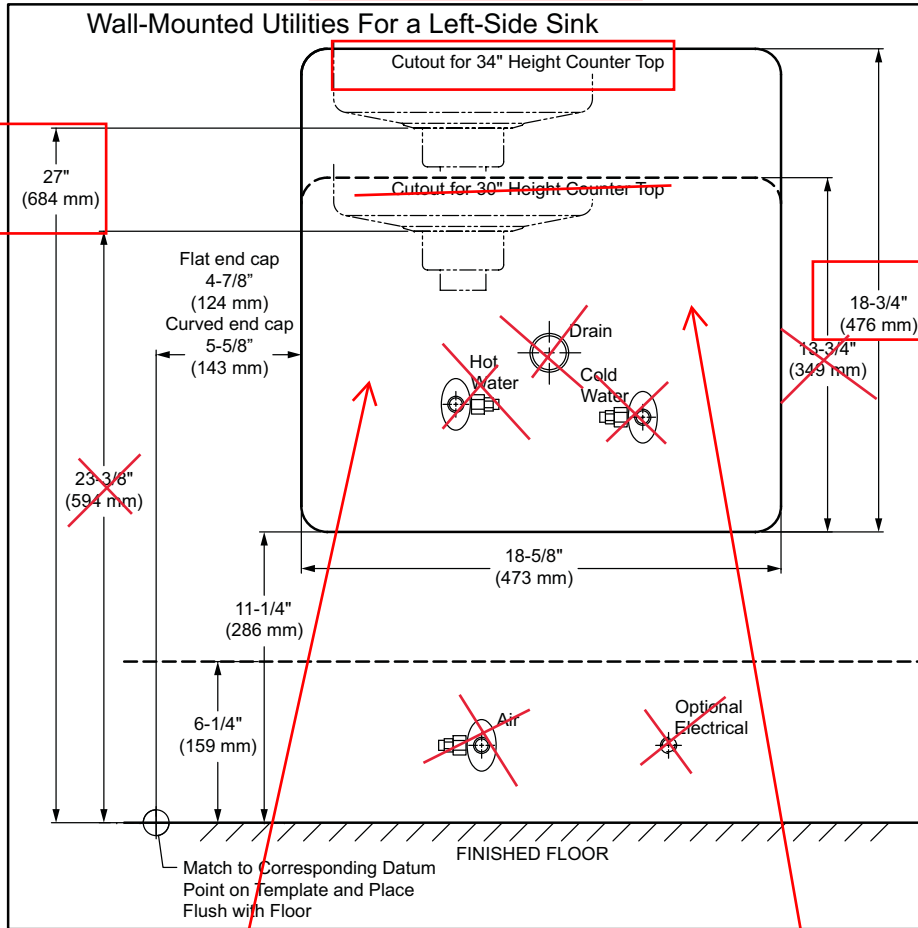
No Sink



# 593 Side Console, Utilities/Back Panel

No Sink - Cutout only

E106 3/4



Data outlet in cutout space

Quadplex outlet in cutout space

Preferred locations for power and data in wall

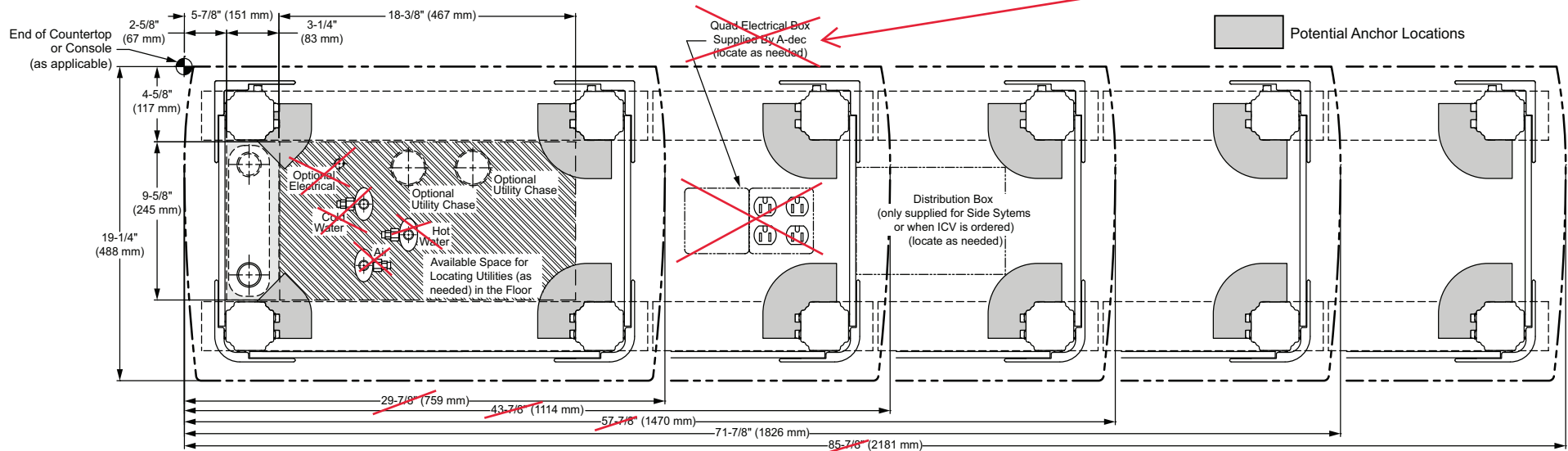
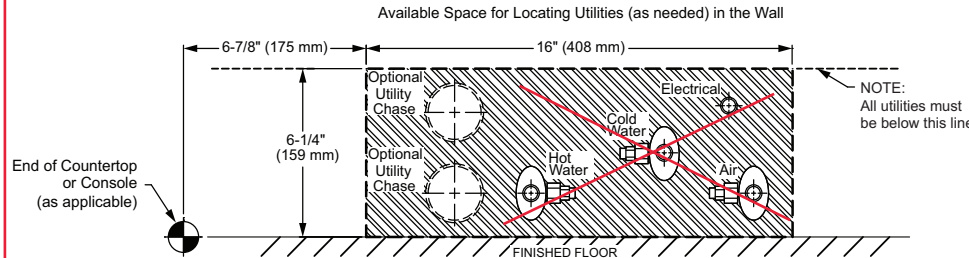
# 593 Side Console, 19" Depth with Left Sink

E106 4/4

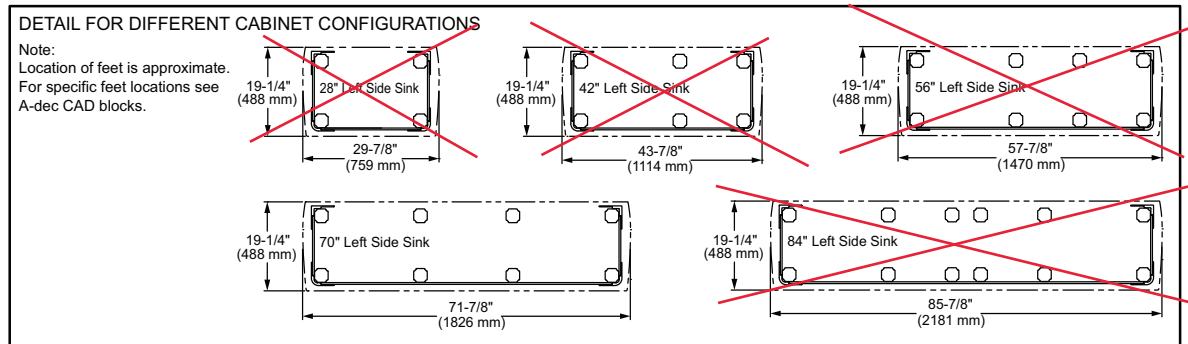
\* Diagram below shows widths for configurations with two curved end caps.  
**Additional end cap configuration widths**—One flat, one curved - subtract 3/4" from the dimensions below. Both flat - subtract 1-1/2" from the dimensions below.

Note: Optional alternate Electrical connection locations. Or may be a combination of both floor and wall locations. Preferred locations are shown on page 3. Preferred 2" Utility conduit chase location through floor.

Quad Electrical not supplied with only lower cabinet. Electrical Contractor to provide junction box and quad electrical boxes if supplied thru floor or toe kick space



Note: No plumbing or Air in this cabinet



# SIDE CONSOLES

## WALL-MOUNTED CABINETS

Extra storage on the wall keeps countertops and workspaces neat and tidy. Add to that a concealed light mount and the look is effortlessly streamlined and orderly.

Wall-mounted cabinet options: 28" storage or dispenser, 56" storage and dispenser combination, or 48" X-ray storage insert.

### FEATURED HIGHLIGHTS

- Adjustable glass shelves organize and store treatment supplies.
- Contemporary design emphasizes productivity and technology integration.
- Versatile wall-mounting design allows optimum positioning above wash stations.
- X-ray pass-through storage (x-ray storage insert) allows access to either treatment room, reducing equipment costs.
- Complete integrated dispenser for cups, towels, masks and gloves keeps essential items neatly organized.
- Full suspension door track (x-ray storage insert) opens and closes smoothly and easily.
- Integrated mount incorporates A-dec dental light or monitor mount.

## LOWER ONLY

More than just storage, the lower side console offers advantages ranging from a barrier dispenser to sharps disposal, keeping equipment and materials well organized and within reach.

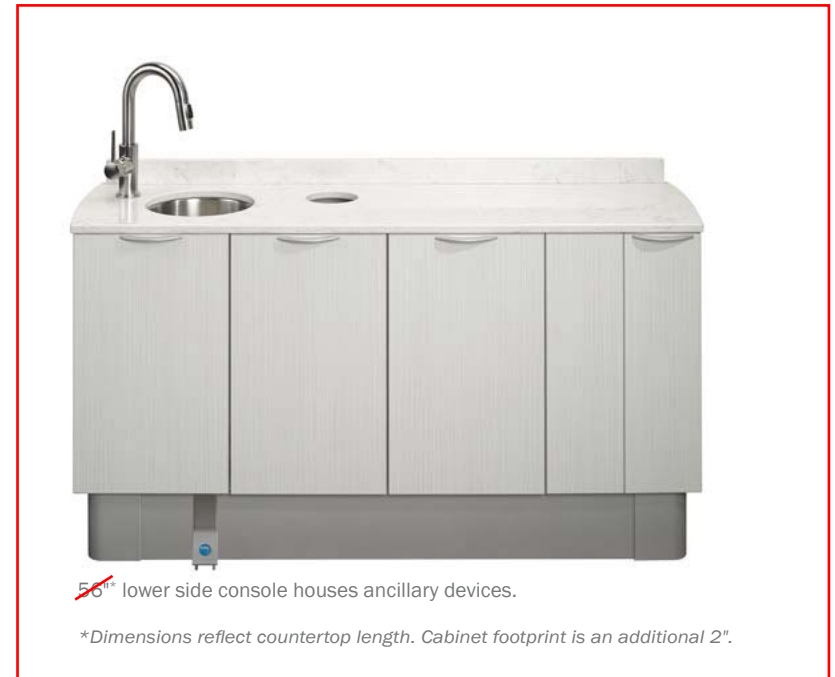
Side console (lower only) available lengths: 28", 42", 56" 70" or 84".

### FEATURED HIGHLIGHTS

- Maximizes storage and dispensing from either side of the treatment room.
- Extra-wide drawers provide easy access to materials and allow you to organize colored bins to meet your materials management strategy.
- Various cabinet depths allow versatility where space is limited.
- Accommodates A-dec 542 side delivery system (84" cabinet only).



56" dispenser and storage combination shown with LED dental light.



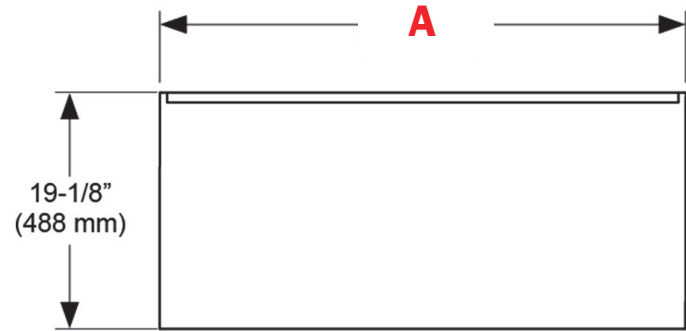
~~56"~~ lower side console houses ancillary devices.

\*Dimensions reflect countertop length. Cabinet footprint is an additional 2".



# 593 - 42" Lower Side Console, 19" Depth with 34" Countertop Height

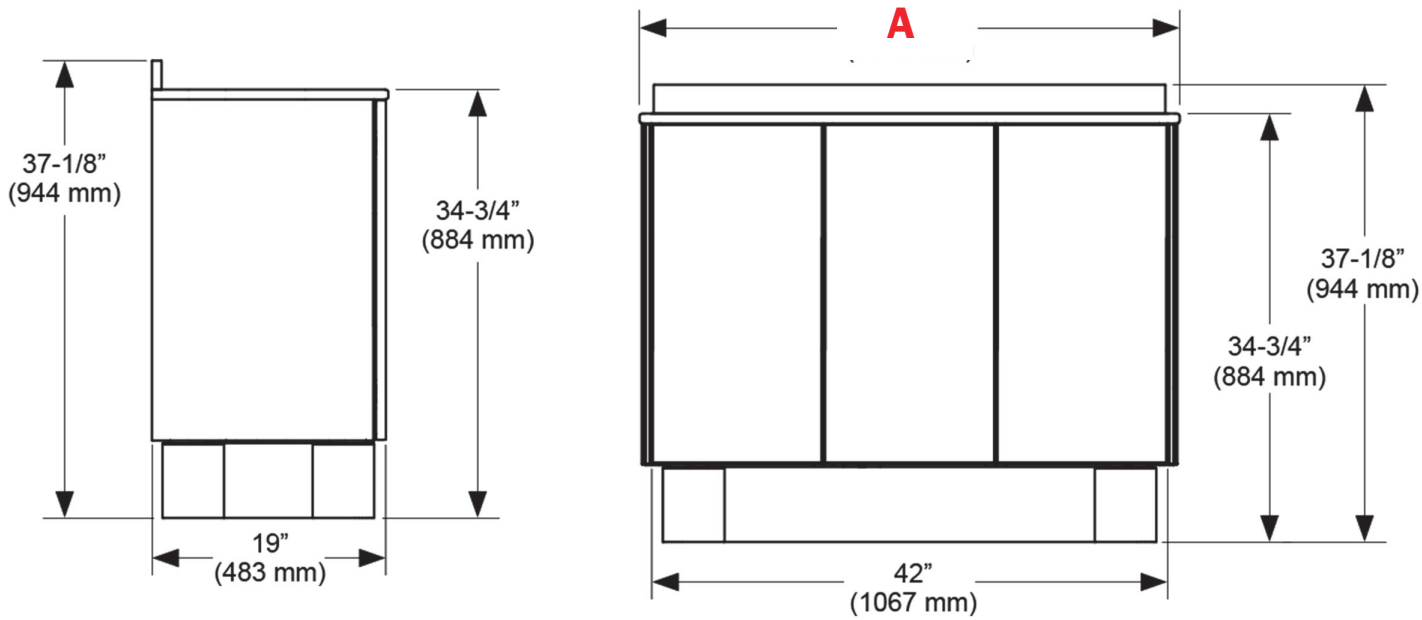
E107 2/4



A

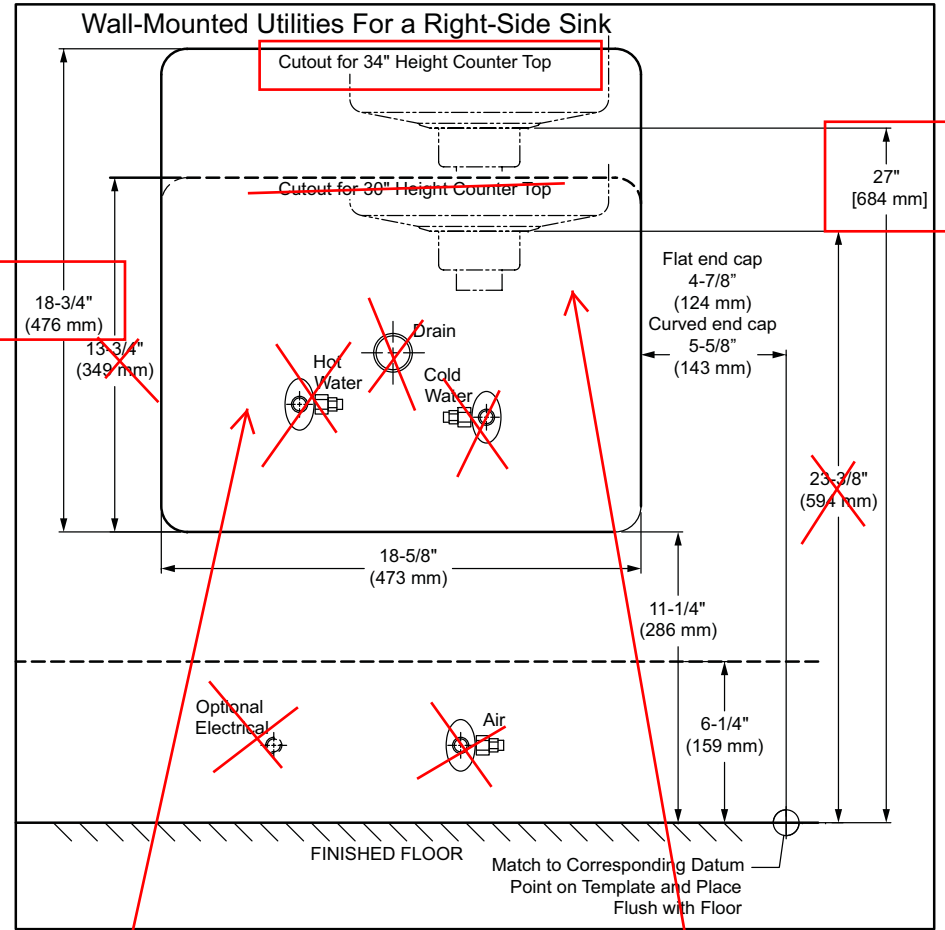
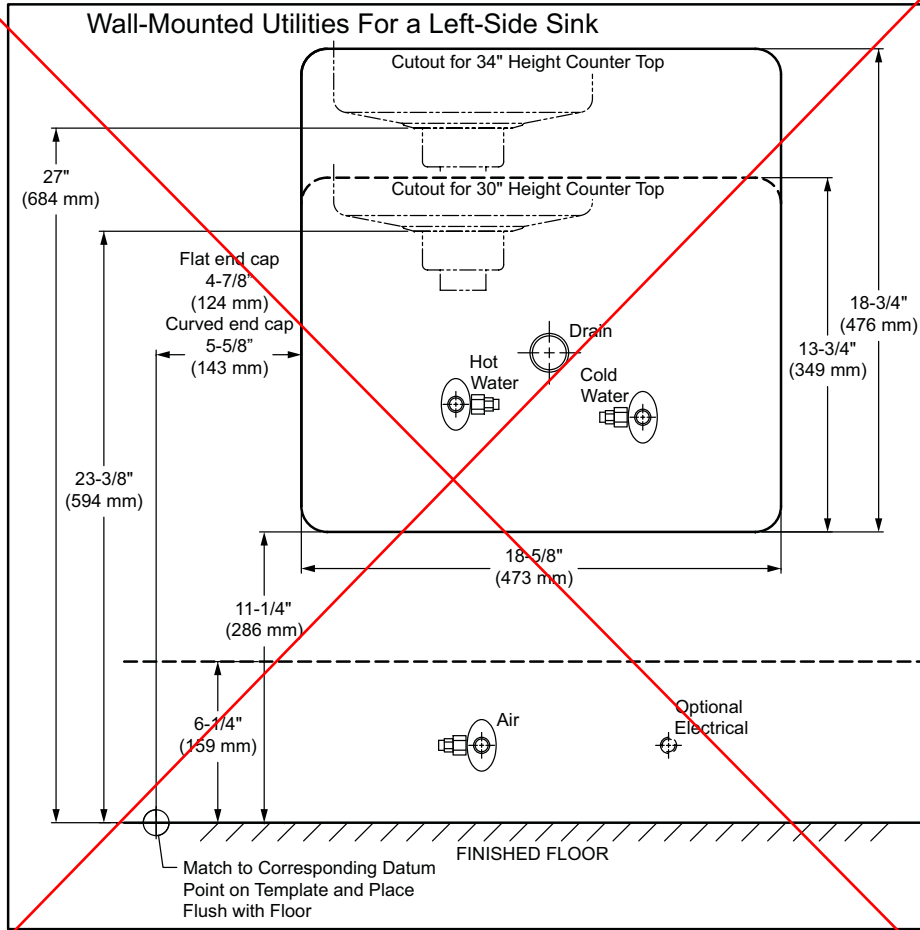
End Cap Configuration	Width
Both flat	42-1/2" (1079 mm)
Both curved	43-7/8" (1114 mm)
Curved-flat	43-1/8" (1096 mm)

No Sink



593 Side Console, Utilities/Back Panel

E107 3/4



Data outlet in cutout space

Quadplex outlet in cutout space

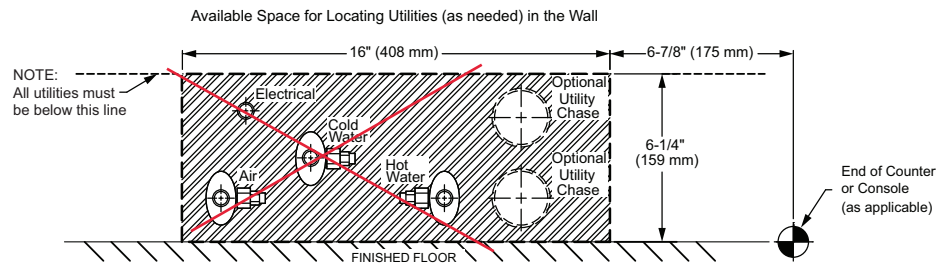
Preferred locations for power and data in wall

# 593 Side Console, 19" Depth with Right Sink

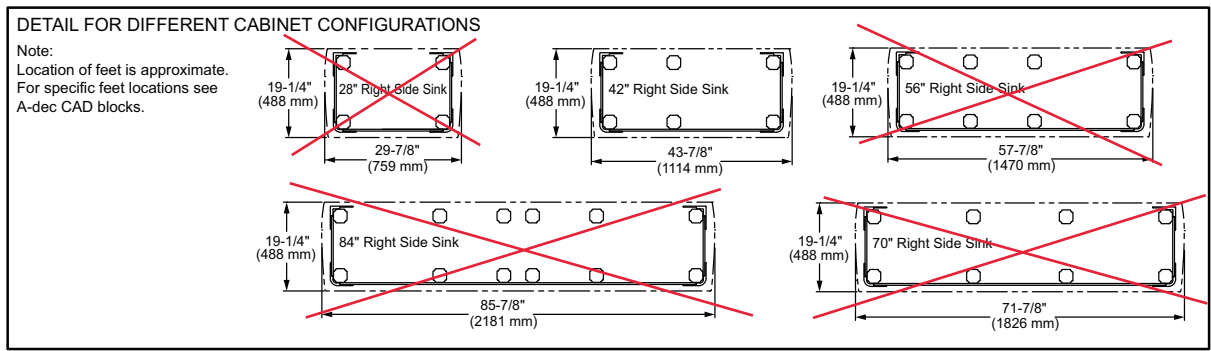
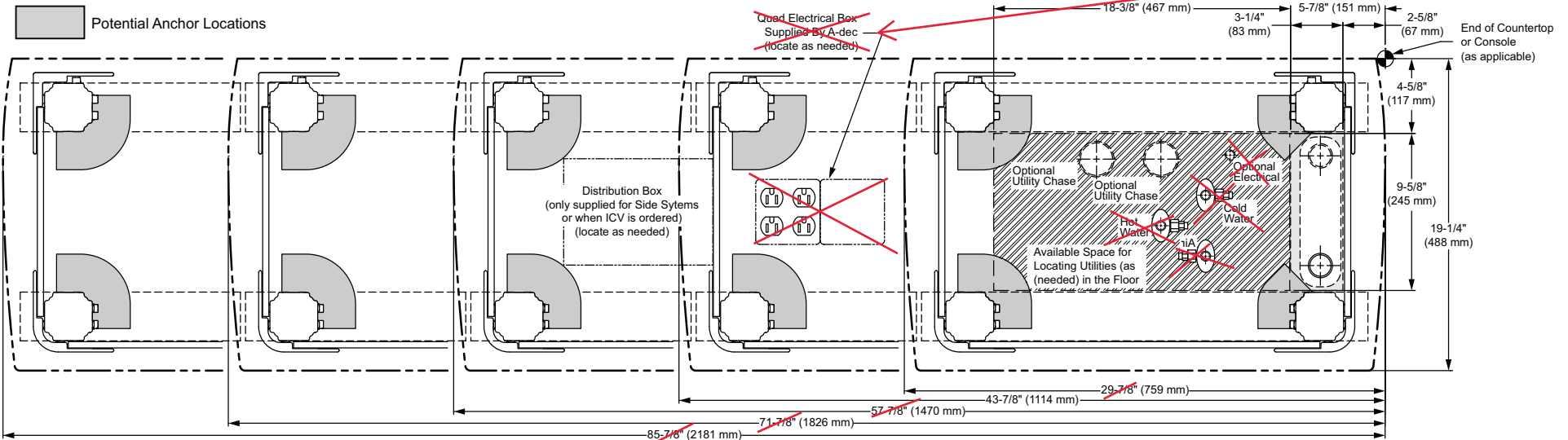
**E107 4/4**

\* Diagram below shows widths for configurations with two curved end caps.  
**Additional end cap configuration widths**—One flat, one curved - subtract 3/4" from the dimensions below. Both flat - subtract 1-1/2" from the dimensions below.

**Note: Optional alternate Electrical connection locations. Or may be a combination of both floor and wall locations. Preferred locations are shown on page 3. Preferred 2" Utility conduit chase location through floor.**



**Quad Electrical not supplied with only lower cabinet. Electrical Contractor to provide junction box and quad electrical boxes if supplied thru floor or toe kick space**



**Note: No Plumbing or Air in this cabinet**

# SIDE CONSOLES

## WALL-MOUNTED CABINETS

Extra storage on the wall keeps countertops and workspaces neat and tidy. Add to that a concealed light mount and the look is effortlessly streamlined and orderly.

Wall-mounted cabinet options: 28" storage or dispenser, 56" storage and dispenser combination, or 48" X-ray storage insert.

### FEATURED HIGHLIGHTS

- Adjustable glass shelves organize and store treatment supplies.
- Contemporary design emphasizes productivity and technology integration.
- Versatile wall-mounting design allows optimum positioning above wash stations.
- X-ray pass-through storage (x-ray storage insert) allows access to either treatment room, reducing equipment costs.
- Complete integrated dispenser for cups, towels, masks and gloves keeps essential items neatly organized.
- Full suspension door track (x-ray storage insert) opens and closes smoothly and easily.
- Integrated mount incorporates A-dec dental light or monitor mount.

## LOWER ONLY

More than just storage, the lower side console offers advantages ranging from a barrier dispenser to sharps disposal, keeping equipment and materials well organized and within reach.

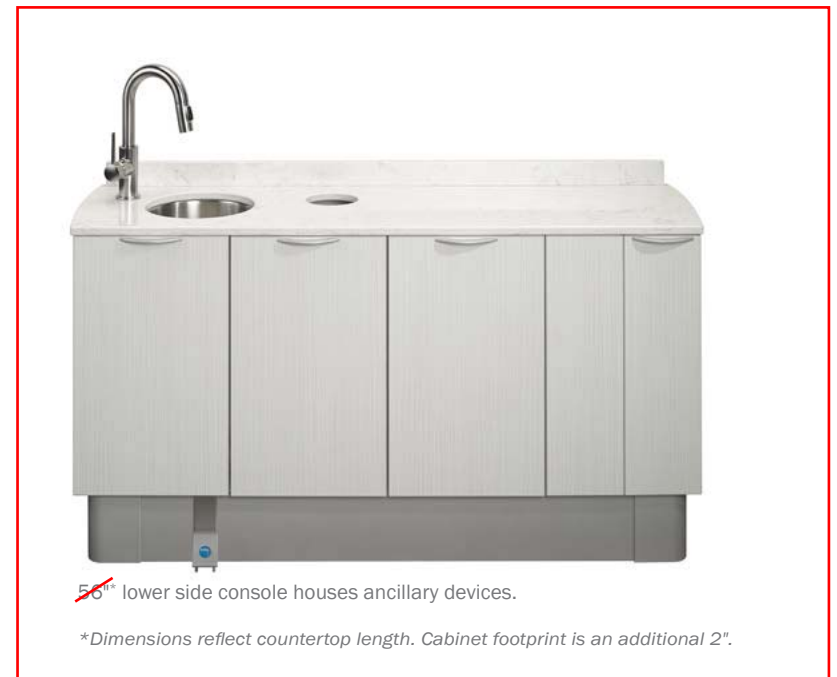
Side console (lower only) available lengths: 28", 42", 56", 70" or 84".

### FEATURED HIGHLIGHTS

- Maximizes storage and dispensing from either side of the treatment room.
- Extra-wide drawers provide easy access to materials and allow you to organize colored bins to meet your materials management strategy.
- Various cabinet depths allow versatility where space is limited.
- Accommodates A-dec 542 side delivery system (84" cabinet only).



56" dispenser and storage combination shown with LED dental light.



~~56"~~ lower side console houses ancillary devices.

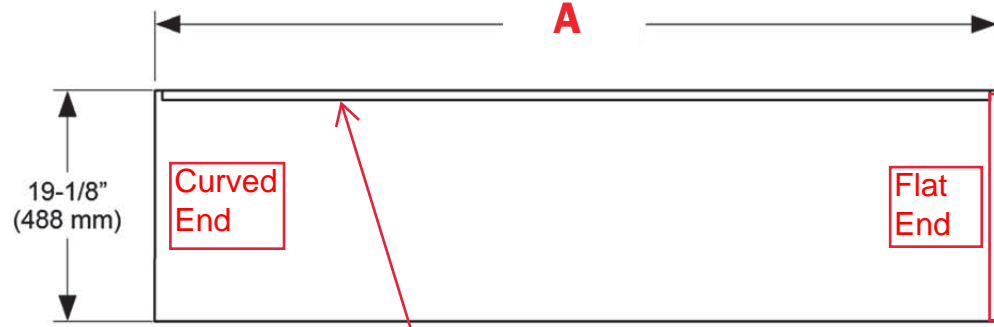
\*Dimensions reflect countertop length. Cabinet footprint is an additional 2".

593 - 70" Lower Side Console, 19" Depth with 34" Countertop Height

E108 2/4

A

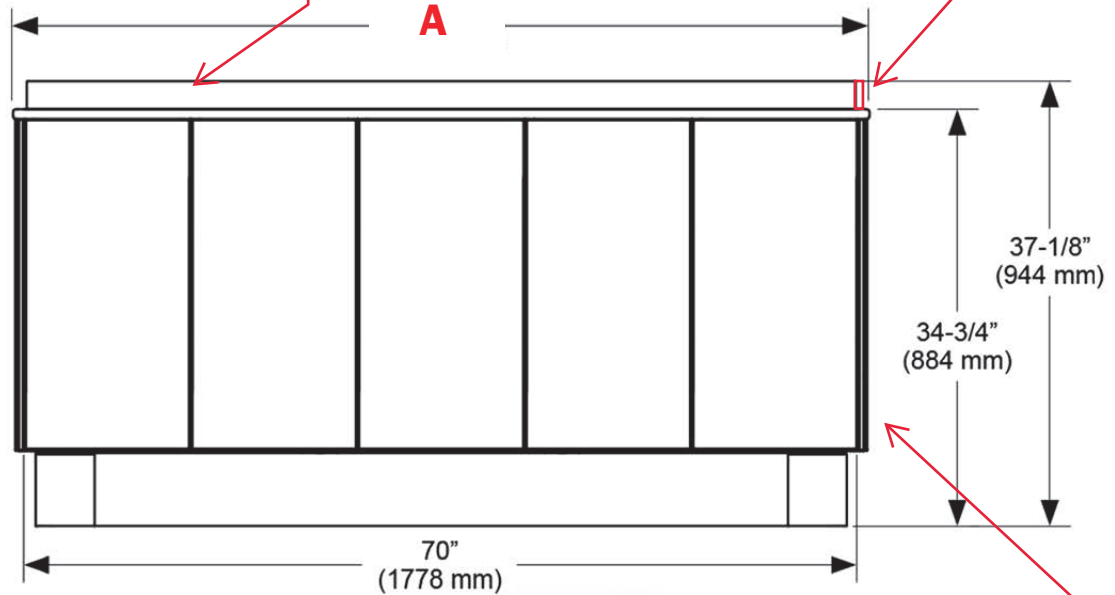
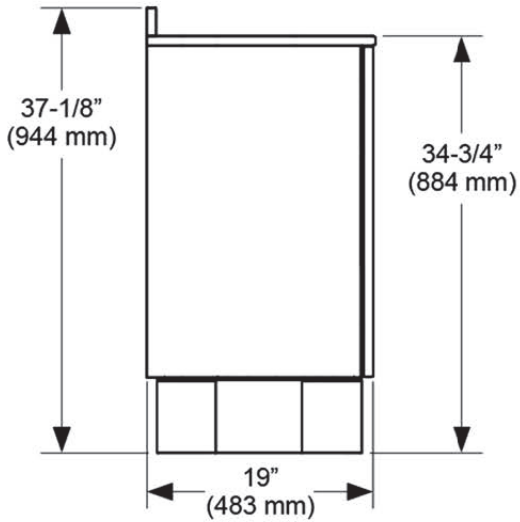
End Cap Configuration	Width
Both flat	70-1/2" (1791 mm)
Both curved	71-7/8" (1825 mm)
Curved-flat	71-1/8" (1807 mm)



Notch portion of backsplash at window - verify length and height w/existing window sill

No Sink

Custom side splash at flat end

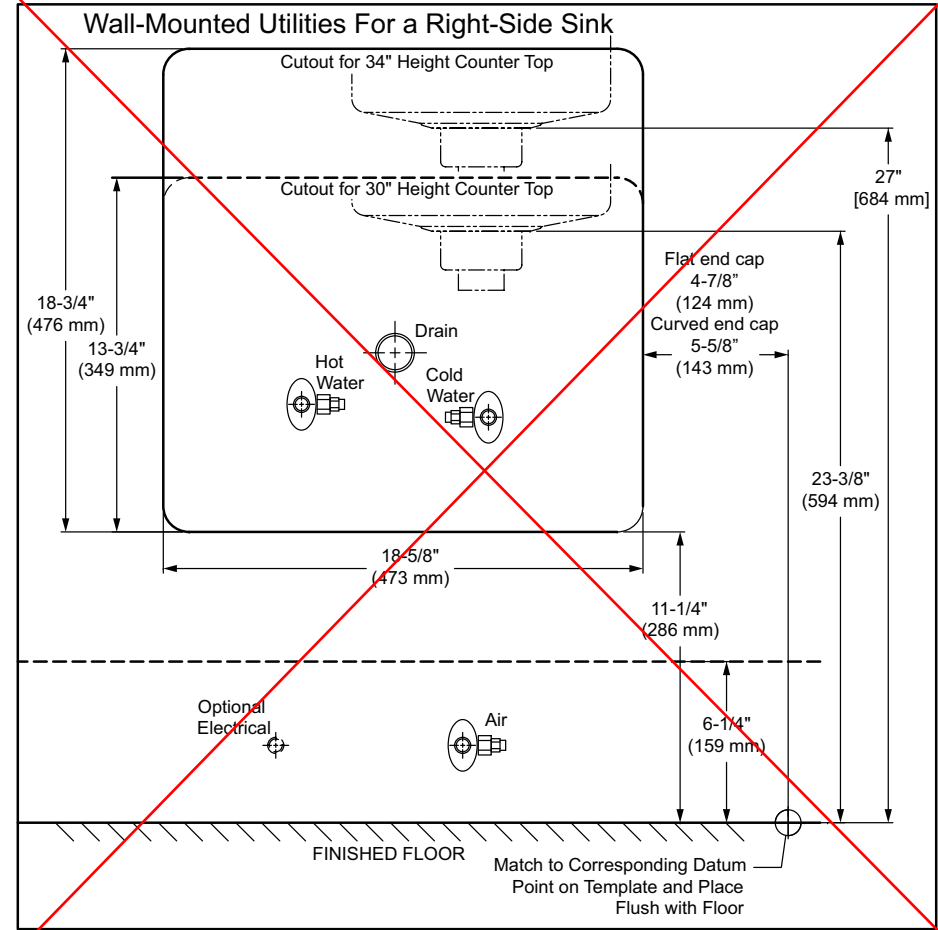
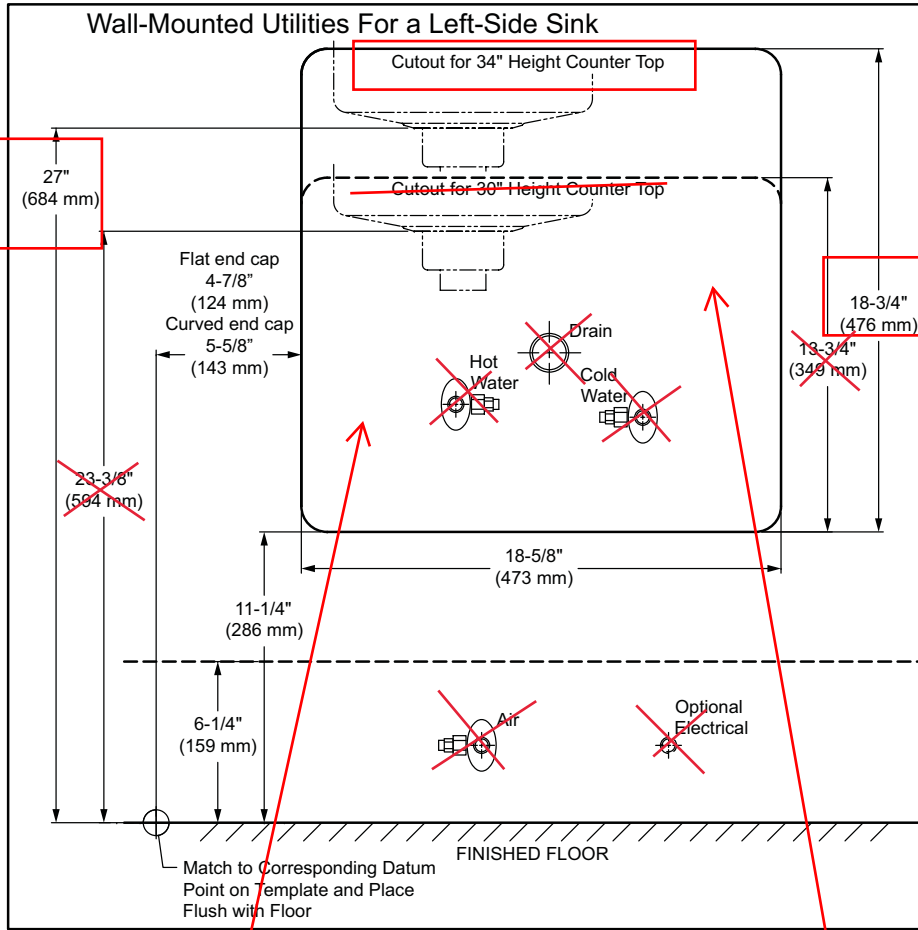


Flat End Panel

# 593 Side Console, Utilities/Back Panel

No Sink - Cutout only

E108 3/4



Data outlet in cutout space

Quadplex outlet in cutout space

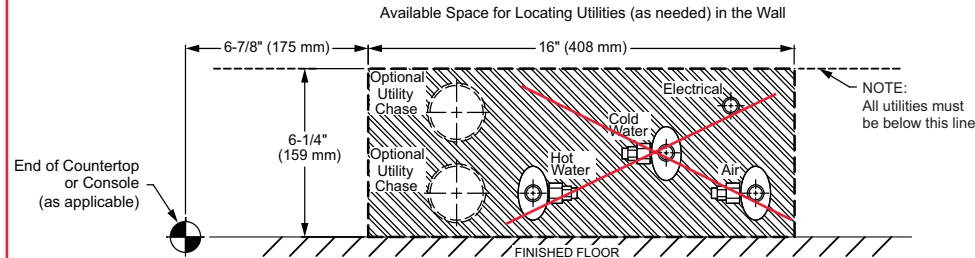
Preferred locations for power and data in wall

# 593 Side Console, 19" Depth with Left Sink

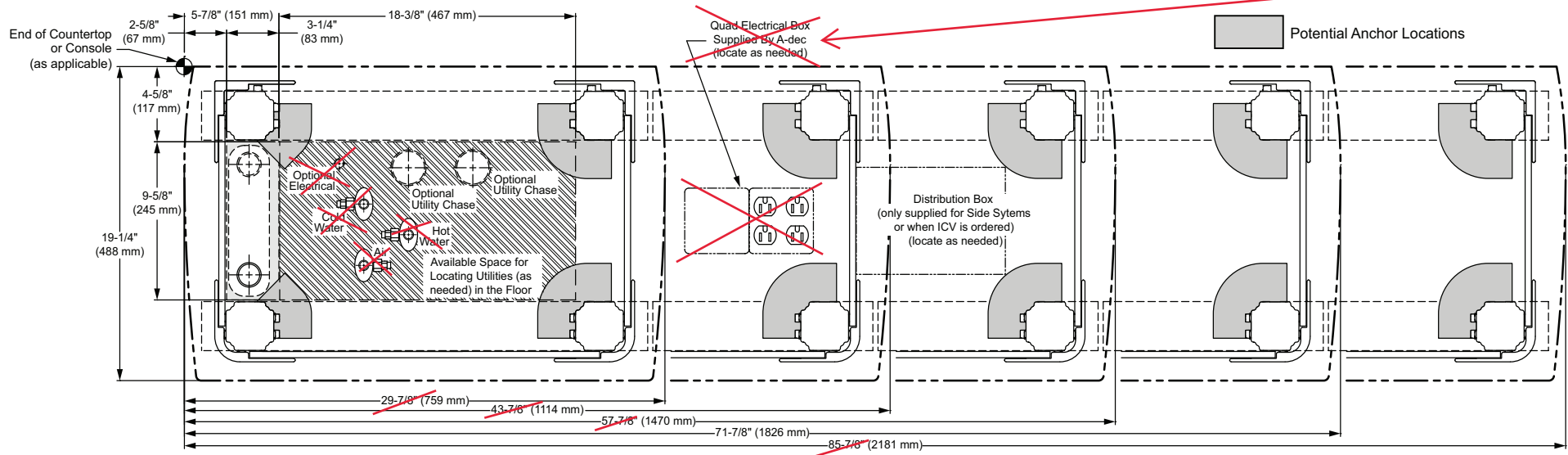
E108 4/4

\* Diagram below shows widths for configurations with two curved end caps.  
 Additional end cap configuration widths—One flat, one curved - subtract 3/4" from the dimensions below. Both flat - subtract 1-1/2" from the dimensions below.

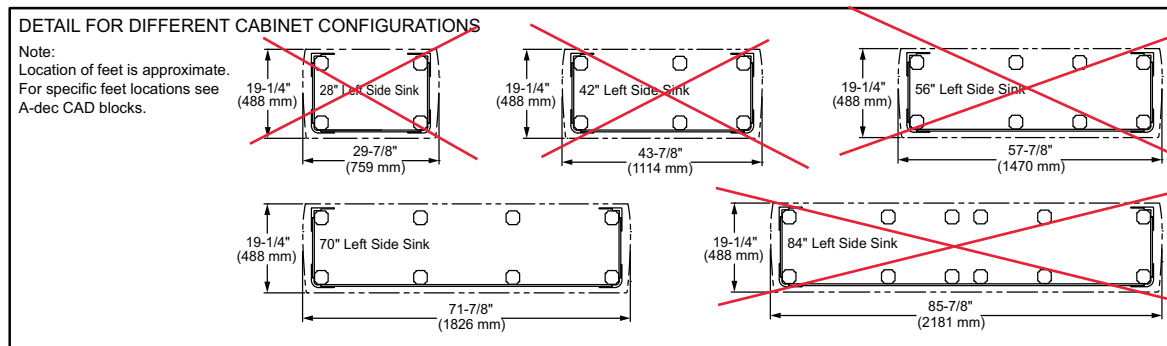
Note: Optional alternate Electrical connection locations. Or may be a combination of both floor and wall locations. Preferred locations are shown on page 3. Preferred 2" Utility conduit chase location through floor.



Quad Electrical not supplied with only lower cabinet. Electrical Contractor to provide junction box and quad electrical boxes if supplied thru floor or toe kick space



Note: No plumbing or Air in this cabinet



# SIDE CONSOLES

## WALL-MOUNTED CABINETS

Extra storage on the wall keeps countertops and workspaces neat and tidy. Add to that a concealed light mount and the look is effortlessly streamlined and orderly.

Wall-mounted cabinet options: 28" storage or dispenser, 56" storage and dispenser combination, or 48" X-ray storage insert.

### FEATURED HIGHLIGHTS

- Adjustable glass shelves organize and store treatment supplies.
- Contemporary design emphasizes productivity and technology integration.
- Versatile wall-mounting design allows optimum positioning above wash stations.
- X-ray pass-through storage (x-ray storage insert) allows access to either treatment room, reducing equipment costs.
- Complete integrated dispenser for cups, towels, masks and gloves keeps essential items neatly organized.
- Full suspension door track (x-ray storage insert) opens and closes smoothly and easily.
- Integrated mount incorporates A-dec dental light or monitor mount.

## LOWER ONLY

More than just storage, the lower side console offers advantages ranging from a barrier dispenser to sharps disposal, keeping equipment and materials well organized and within reach.

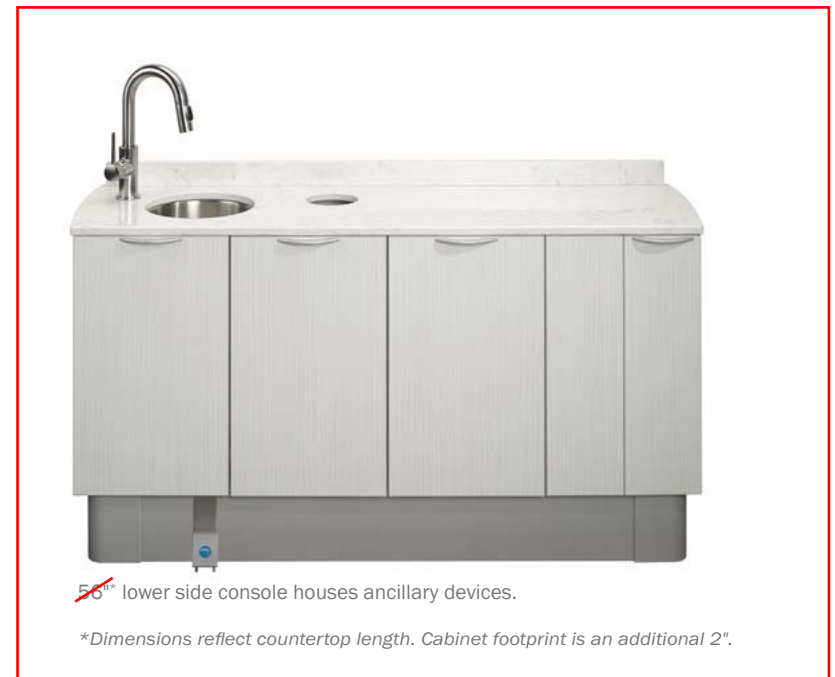
Side console (lower only) available lengths: 28", 42", 56", 70" or 84".

### FEATURED HIGHLIGHTS

- Maximizes storage and dispensing from either side of the treatment room.
- Extra-wide drawers provide easy access to materials and allow you to organize colored bins to meet your materials management strategy.
- Various cabinet depths allow versatility where space is limited.
- Accommodates A-dec 542 side delivery system (84" cabinet only).



56" dispenser and storage combination shown with LED dental light.



56" lower side console houses ancillary devices.

\*Dimensions reflect countertop length. Cabinet footprint is an additional 2".

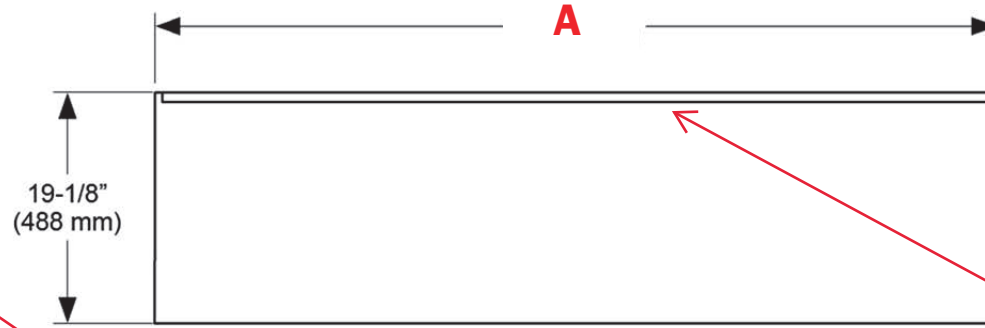


**593 - 70" Lower Side Console, 19" Depth with 34" Countertop Height**

**E109 2/4**

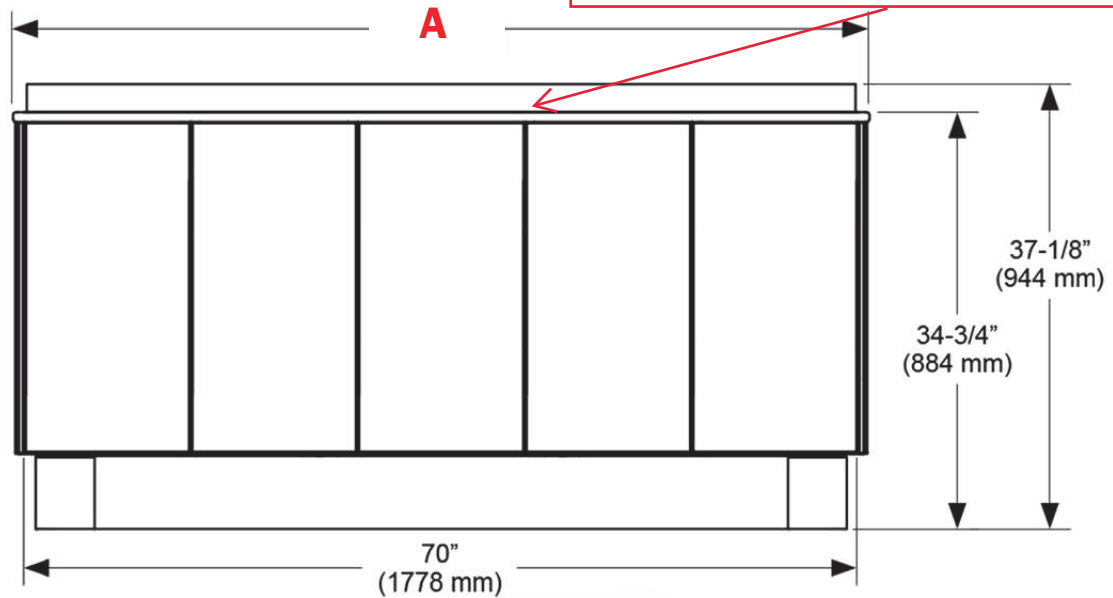
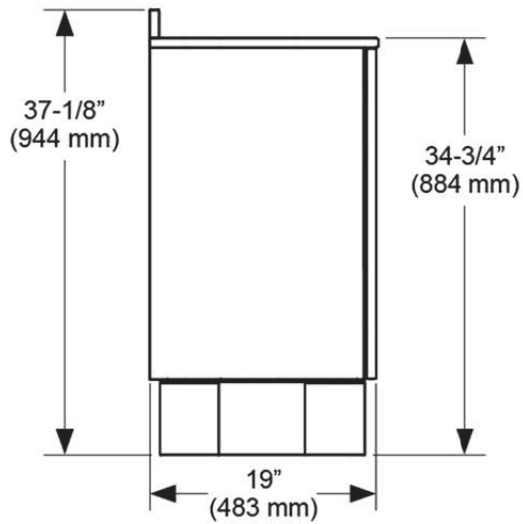
**A**

End Cap Configuration	Width
Both flat	70-1/2" (1791 mm)
Both curved	71-7/8" (1825 mm)
Curved-flat	71-1/8" (1807 mm)



Notch portion of backsplash at window - verify length and height w/existing window sill. Left end at Room #132 and Right end at Room #115.

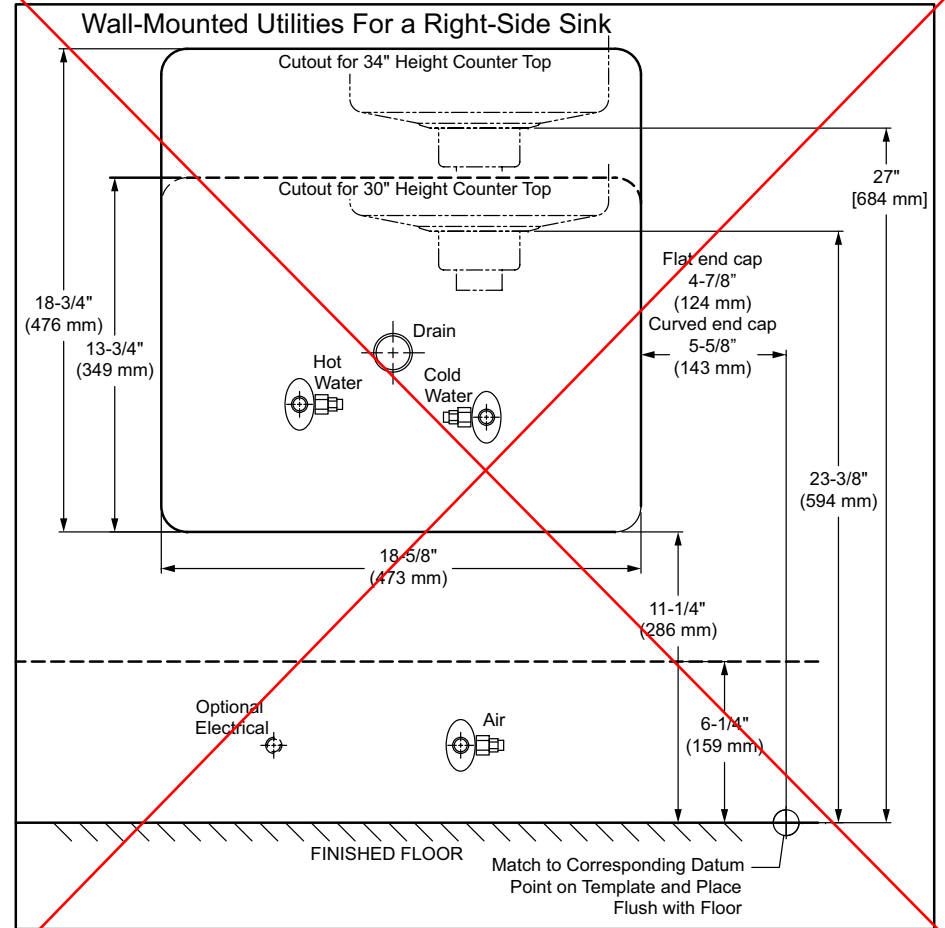
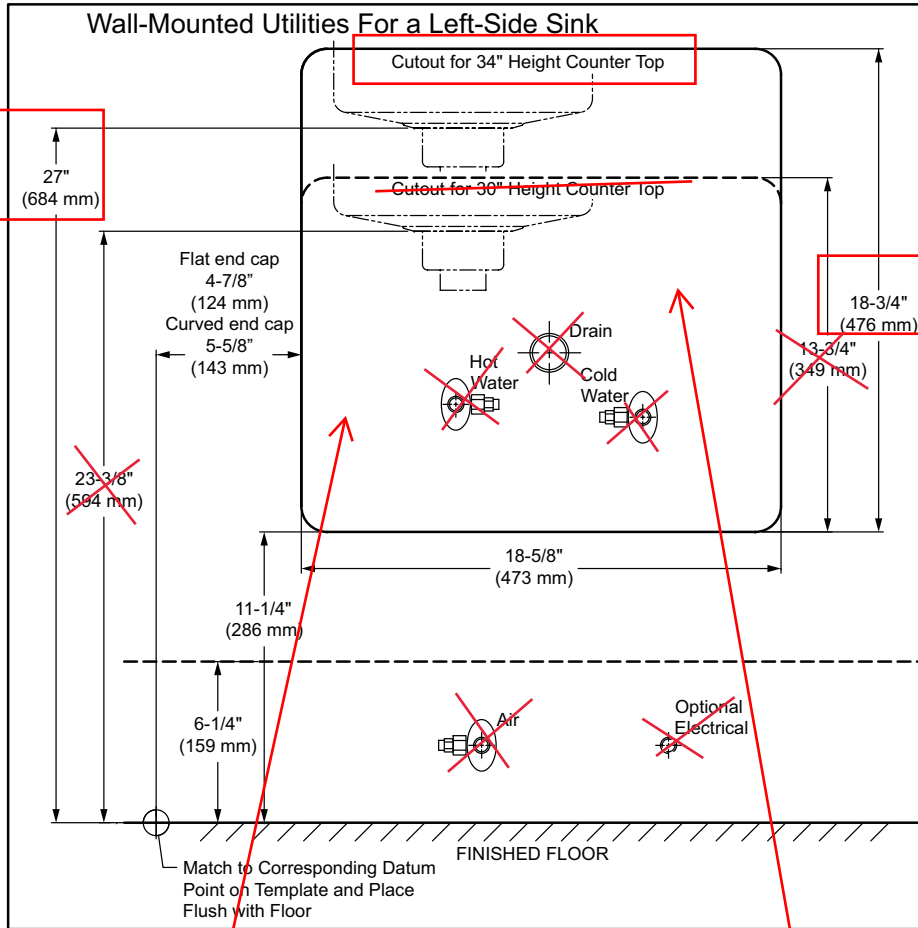
No Sink



593 Side Console, Utilities/Back Panel

No Sink - Cutout only

E109 3/4



Data outlet in cutout space

Quadplex outlet in cutout space

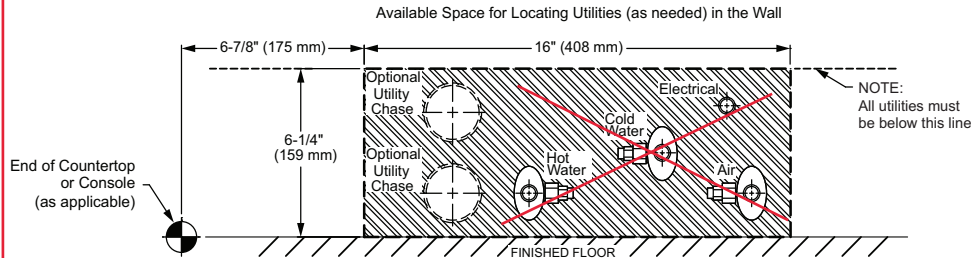
Preferred locations for power and data in wall

# 593 Side Console, 19" Depth with Left Sink

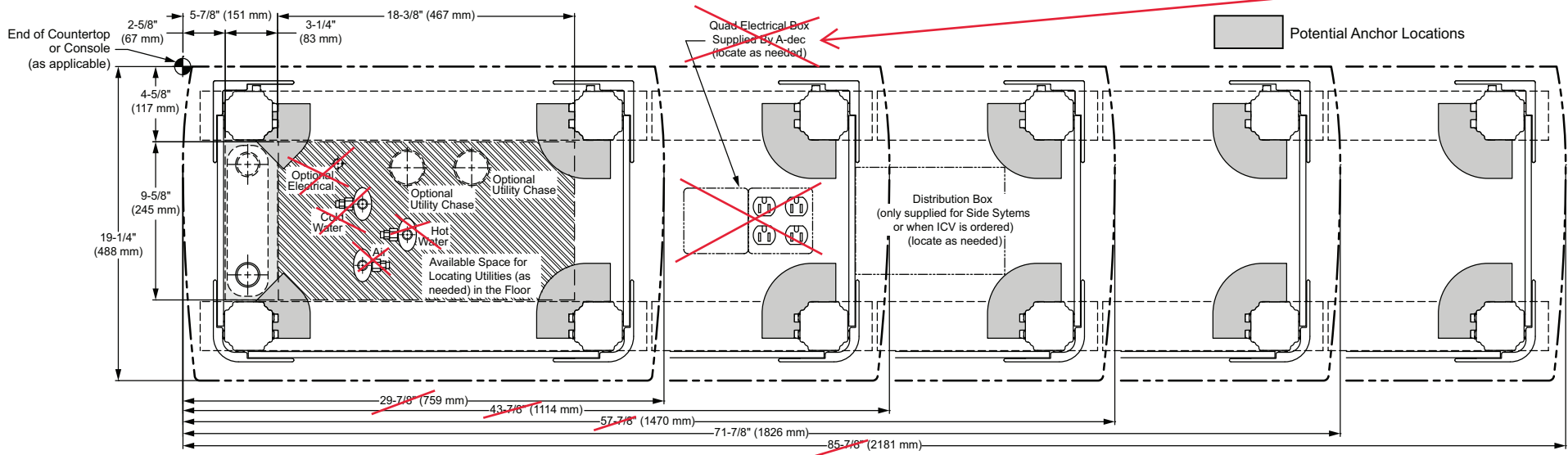
E109 4/4

\* Diagram below shows widths for configurations with two curved end caps.  
**Additional end cap configuration widths**—One flat, one curved - subtract 3/4" from the dimensions below. Both flat - subtract 1-1/2" from the dimensions below.

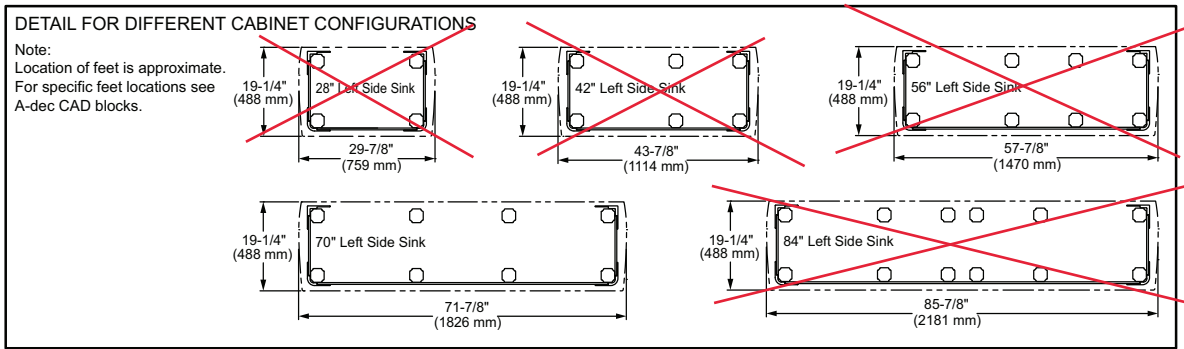
Note: Optional alternate Electrical connection locations. Or may be a combination of both floor and wall locations. Preferred locations are shown on page 3. Preferred 2" Utility conduit chase location through floor.



Quad Electrical not supplied with only lower cabinet. Electrical Contractor to provide junction box and quad electrical boxes if supplied thru floor or toe kick space



Note: No plumbing or Air in this cabinet



# SIDE CONSOLES

## WALL-MOUNTED CABINETS

Extra storage on the wall keeps countertops and workspaces neat and tidy. Add to that a concealed light mount and the look is effortlessly streamlined and orderly.

Wall-mounted cabinet options: 28" storage or dispenser, 56" storage and dispenser combination, or 48" X-ray storage insert.

### FEATURED HIGHLIGHTS

- Adjustable glass shelves organize and store treatment supplies.
- Contemporary design emphasizes productivity and technology integration.
- Versatile wall-mounting design allows optimum positioning above wash stations.
- X-ray pass-through storage (x-ray storage insert) allows access to either treatment room, reducing equipment costs.
- Complete integrated dispenser for cups, towels, masks and gloves keeps essential items neatly organized.
- Full suspension door track (x-ray storage insert) opens and closes smoothly and easily.
- Integrated mount incorporates A-dec dental light or monitor mount.

## LOWER ONLY

More than just storage, the lower side console offers advantages ranging from a barrier dispenser to sharps disposal, keeping equipment and materials well organized and within reach.

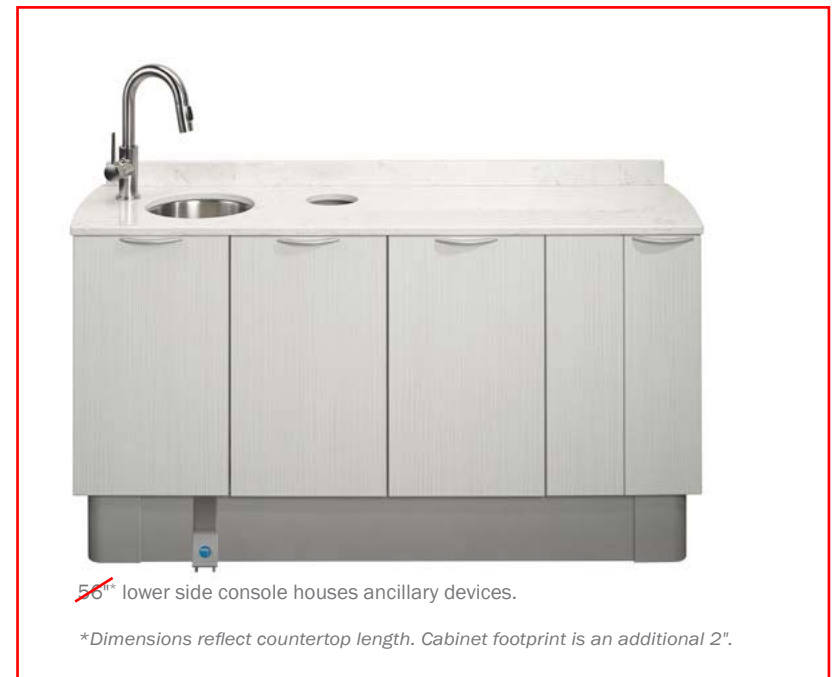
Side console (lower only) available lengths: 28", 42", 56", 70" or 84".

### FEATURED HIGHLIGHTS

- Maximizes storage and dispensing from either side of the treatment room.
- Extra-wide drawers provide easy access to materials and allow you to organize colored bins to meet your materials management strategy.
- Various cabinet depths allow versatility where space is limited.
- Accommodates A-dec 542 side delivery system (84" cabinet only).



56" dispenser and storage combination shown with LED dental light.



~~56"~~ lower side console houses ancillary devices.

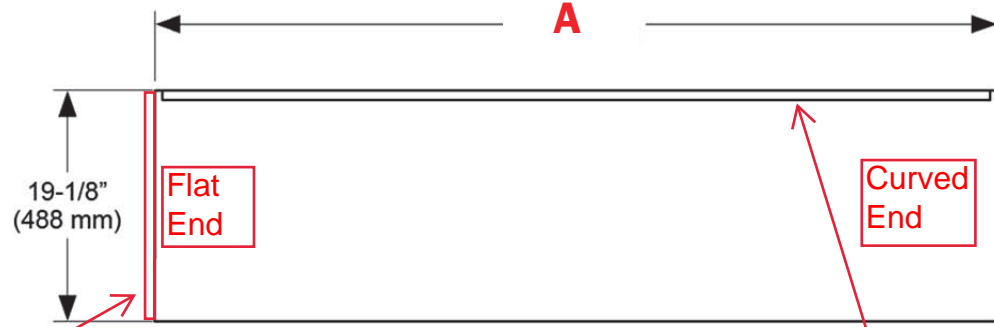
\*Dimensions reflect countertop length. Cabinet footprint is an additional 2".

593 - 70" Lower Side Console, 19" Depth with 34" Countertop Height

E110 2/4

A

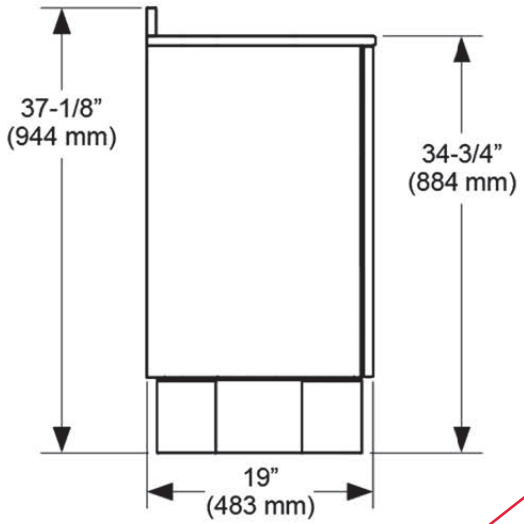
End Cap Configuration	Width
Both flat	70-1/2" (1791 mm)
Both curved	71-7/8" (1825 mm)
Curved-flat	71-1/8" (1807 mm)



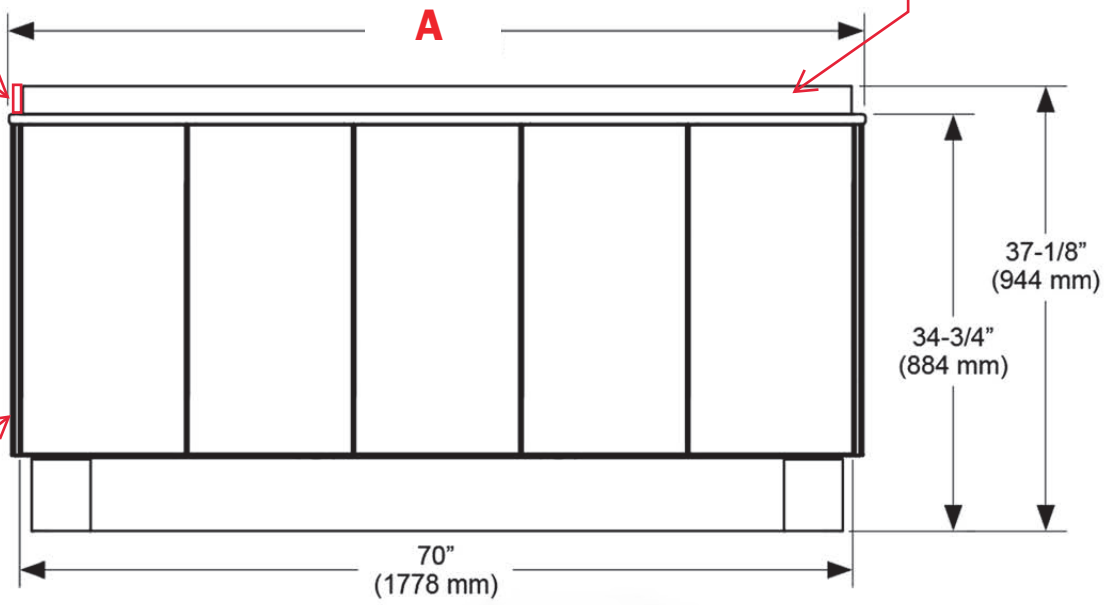
Custom side splash at flat end

No Sink

Notch portion of backsplash at window - verify length and height w/existing window sill



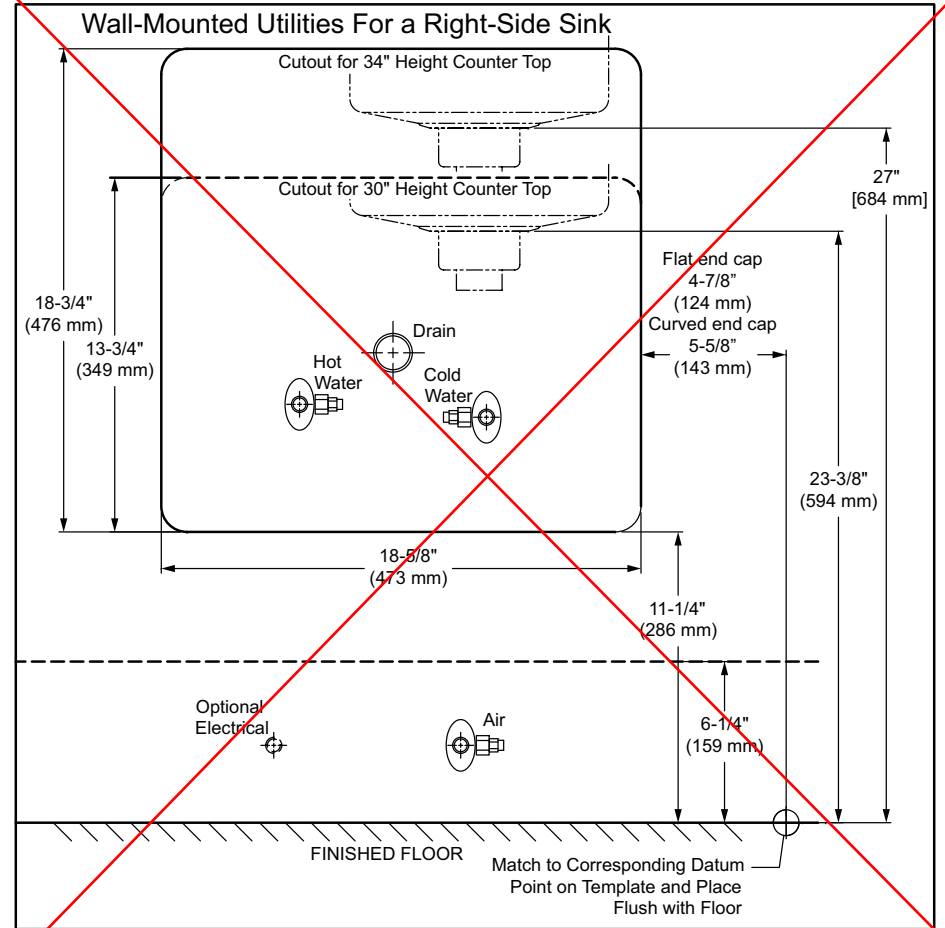
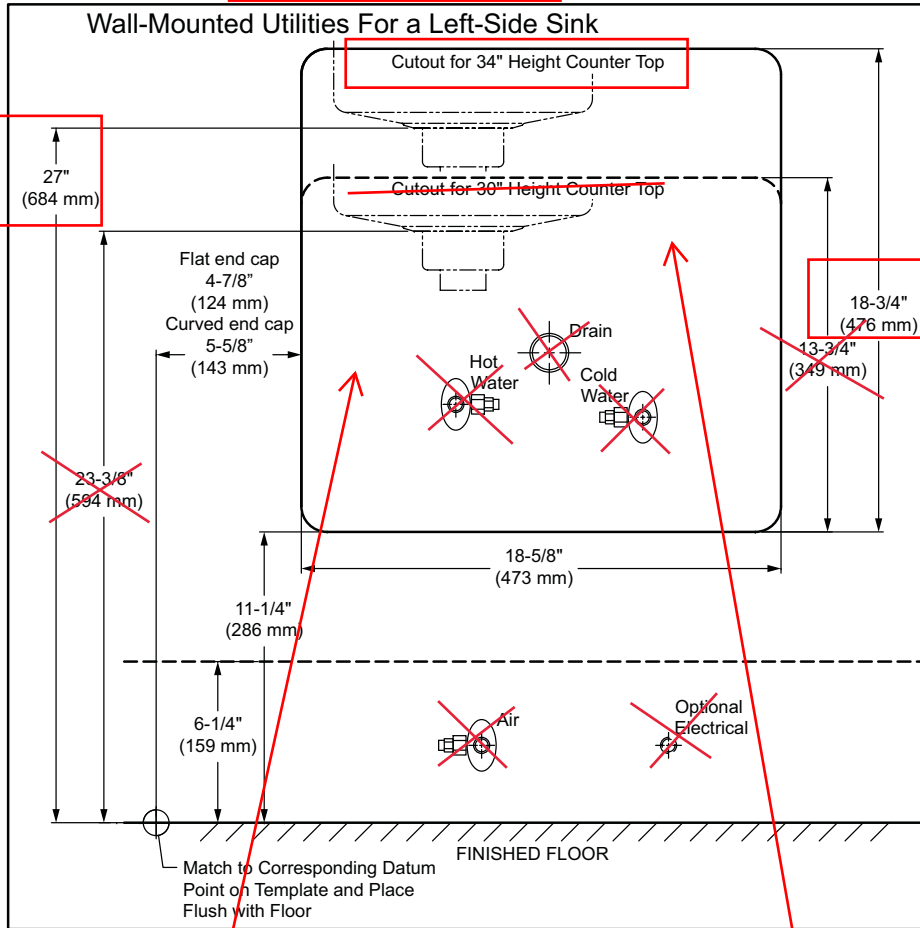
Flat End Panel



# 593 Side Console, Utilities/Back Panel

No Sink - Cutout only

E110 3/4



Data outlet in cutout space

Quadplex outlet in cutout space

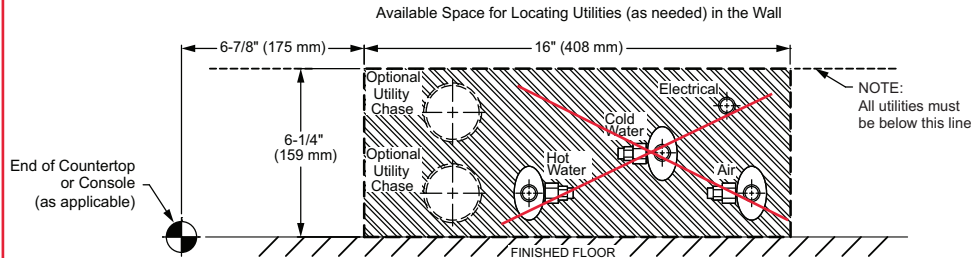
Preferred locations for power and data in wall

# 593 Side Console, 19" Depth with Left Sink

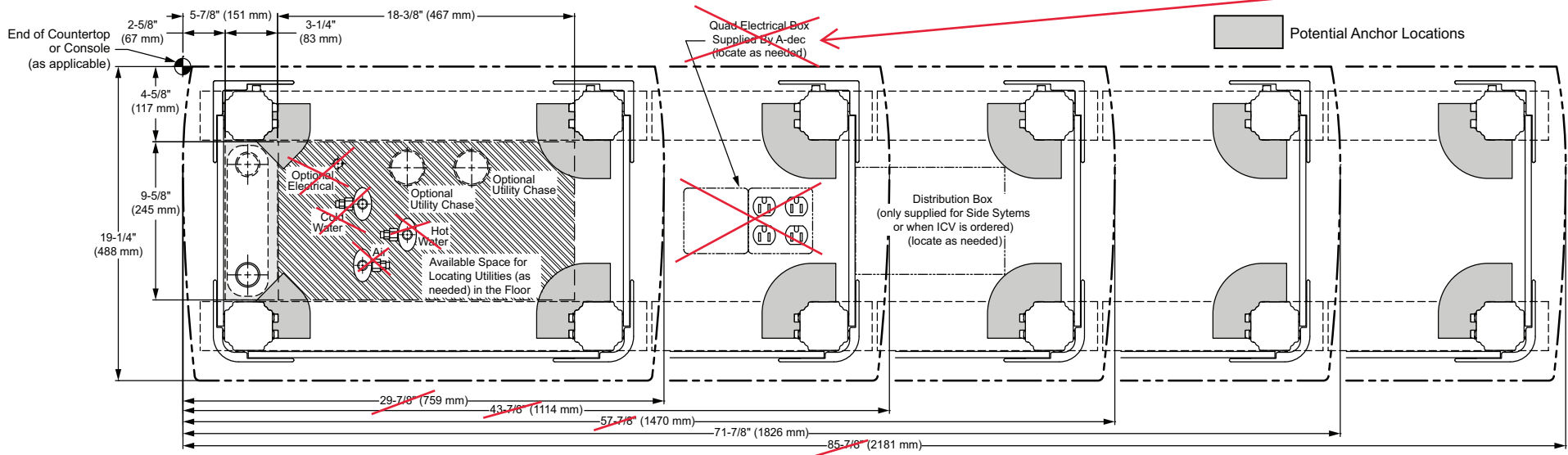
**E110 4/4**

\* Diagram below shows widths for configurations with two curved end caps.  
**Additional end cap configuration widths**—One flat, one curved - subtract 3/4" from the dimensions below. Both flat - subtract 1-1/2" from the dimensions below.

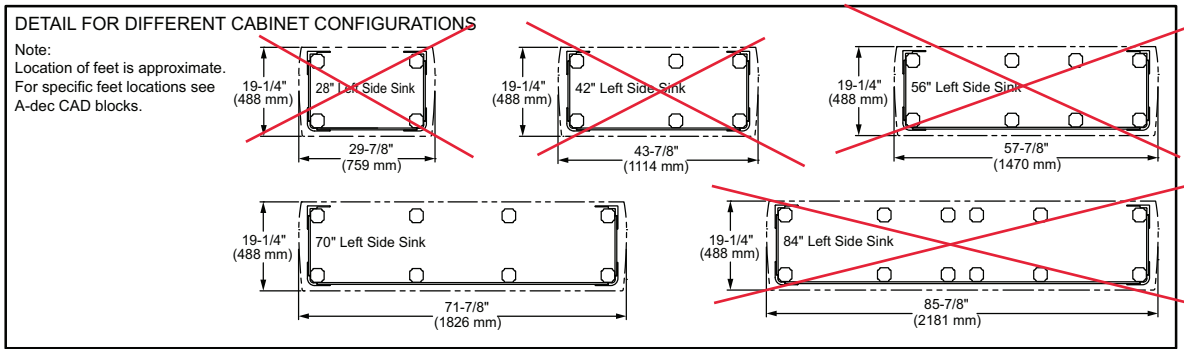
**Note: Optional alternate Electrical connection locations. Or may be a combination of both floor and wall locations. Preferred locations are shown on page 3. Preferred 2" Utility conduit chase location through floor.**



**Quad Electrical not supplied with only lower cabinet . Electrical Contractor to provide junction box and quad electrical boxes if supplied thru floor or toe kick space**



**Note: No plumbing or Air in this cabinet**





# A-dec Inspire™ 591 Treatment Console

## INSTALLATION GUIDE



Custom - Flat Right  
End with Side  
Splash

A-dec 591 ~~42"~~ Treatment Console

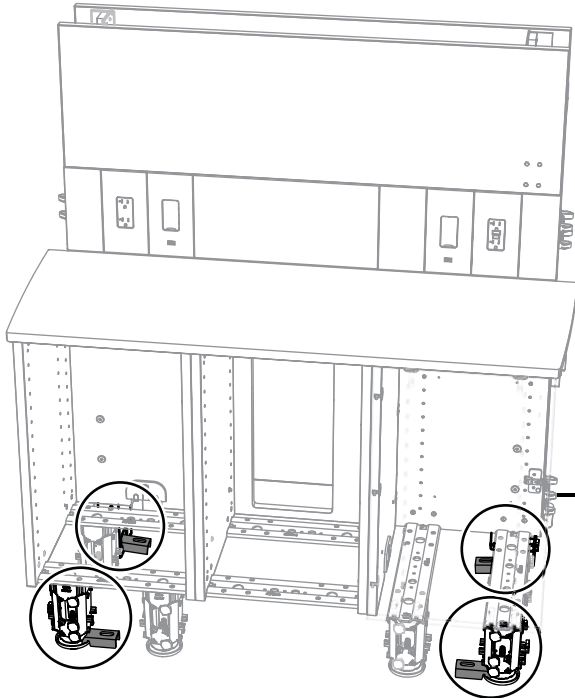
98"



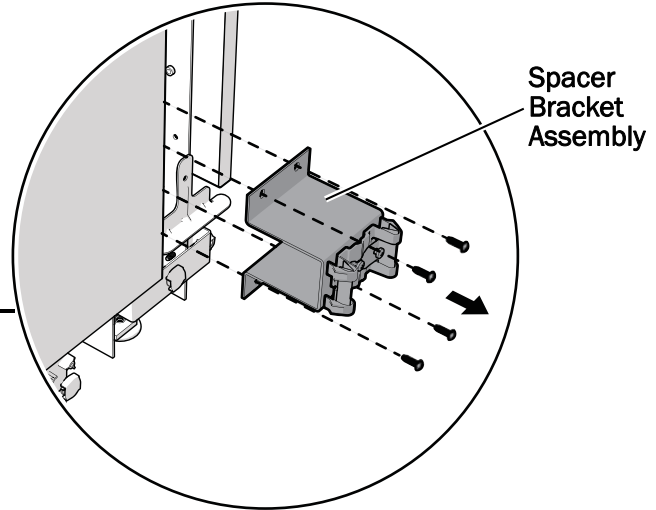
# C Anchor the Cabinet

## Determine the Anchor Locations

Reference Only - Units installed by Owners Equipment Supplier



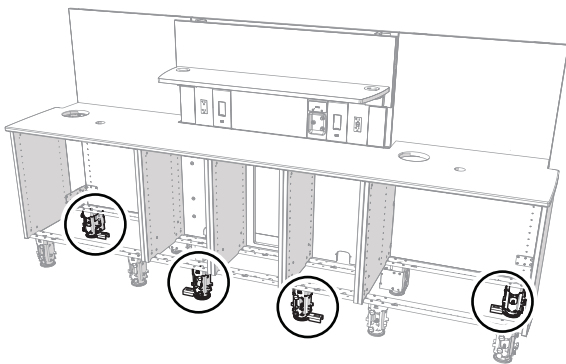
When Against a Wall (optional)



For all configurations, it is recommended to place two anchors on the front feet of the 42" (106.7 cm) section and two anchors on the support column.



**NOTE** If the cabinet is against a wall, remove the spacer bracket assembly with a Phillips head screwdriver to access the support column. Replace the bracket once the cabinet is anchored.



For 70" (177.8 cm) and 98" (248.9 cm) configurations, if it is not possible to get the rear anchors on the support column, place them on the rear outside feet.

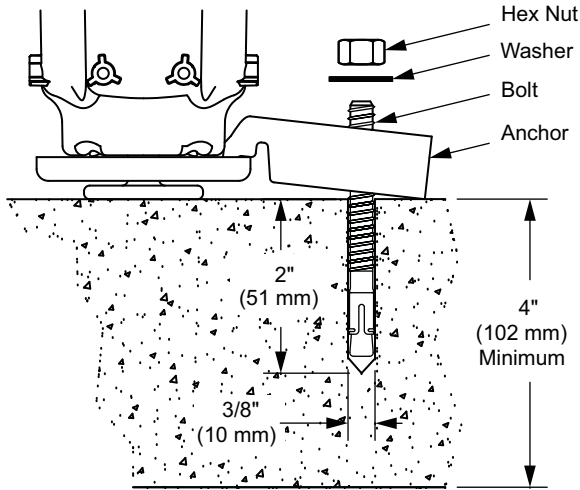
# Structural and Other Construction Requirements

E111 3/10



**NOTE** Anchoring requirements are determined by local seismic and structural codes and vary depending on the cabinet model and configuration. See the following section and the Plan View section for potential anchoring locations for specific module configurations.

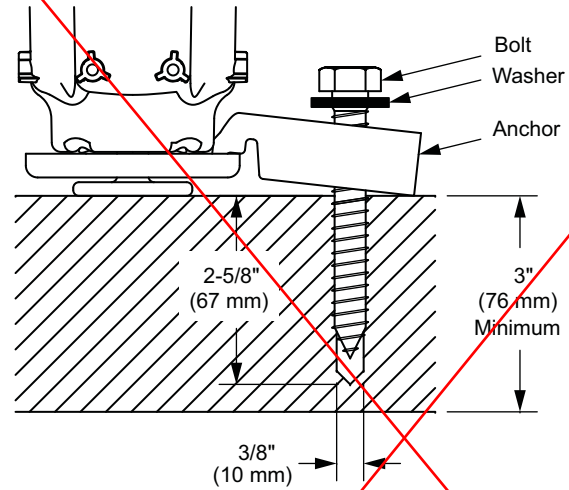
## Floor Anchoring - Concrete Floors



**NOTE** Anchors are only approved for use in slabs at least 4" (102 mm) thick. If concrete does not meet minimum requirements, consult with a licensed engineer for alternate anchors.

Reference Only - Units  
Installed by Owner's  
Equipment Supplier

## Floor Anchoring - Non-Concrete Floors



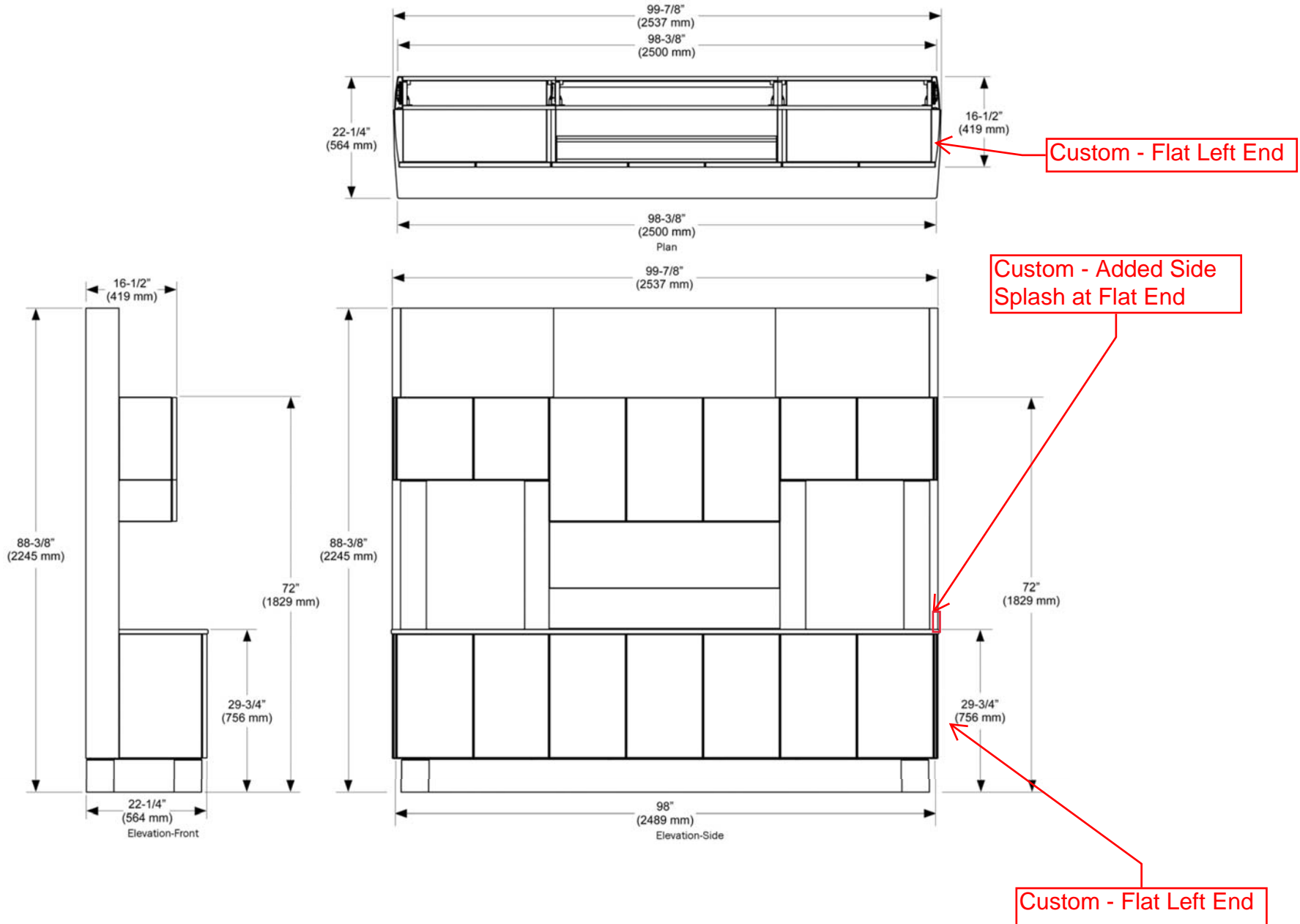
**NOTE** Anchors are only approved for use in wood flooring at least 3" (76 mm) thick. The lag screw must exceed a minimum embedment depth of 2-5/8" (67 mm). If the flooring material does not meet minimum requirements, consult with a licensed contractor about adding reinforcements.



**NOTE** Some local seismic or structural codes may require additional anchoring, which may, in turn, require additional wood flooring support. Contact A-dec Customer Service for more information.

E111 4/10

### A-dec Inspire 591 - 98" Full Treatment Console



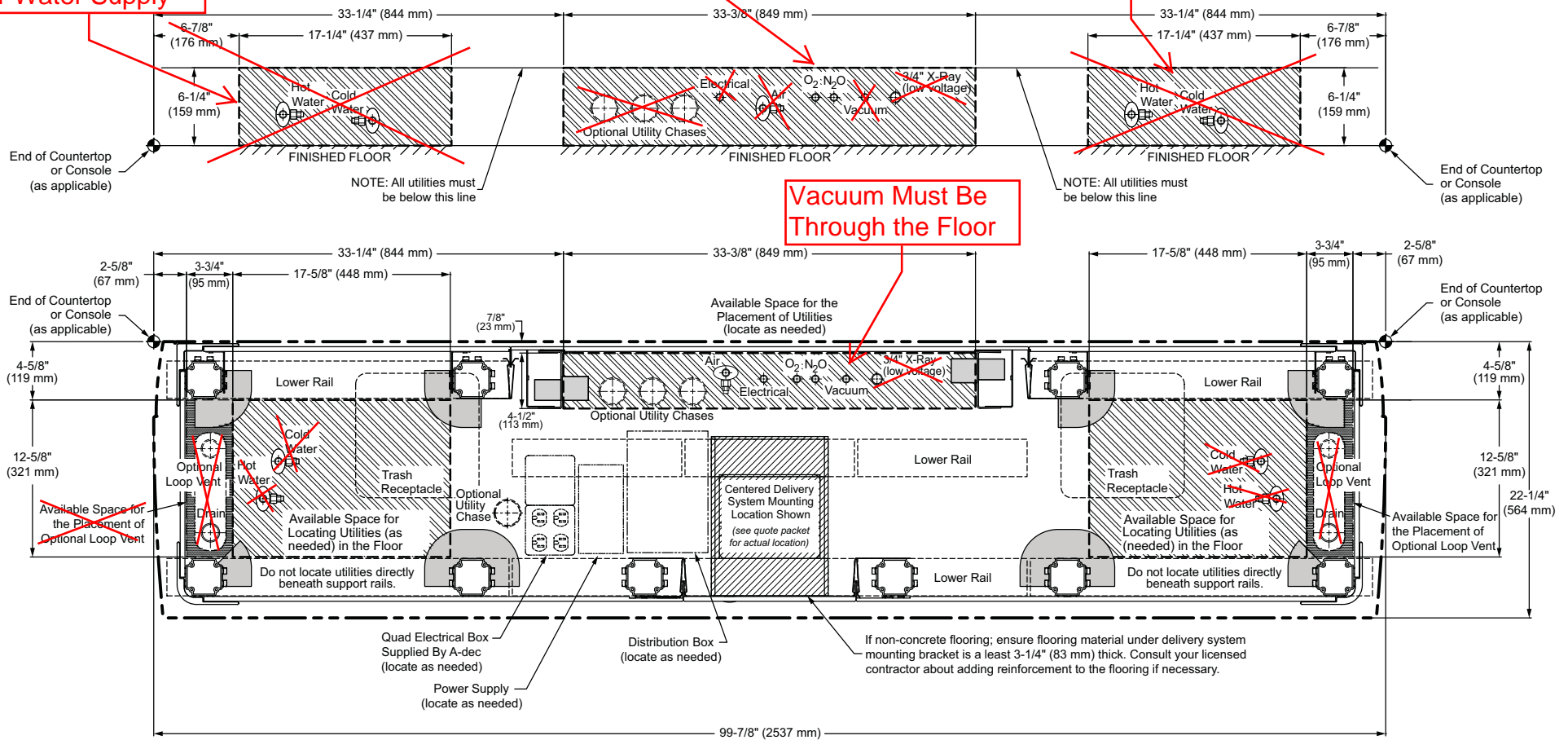
**591 - 98" Treatment Console, Dual Sink**

See Page 6 of 10 for Water Supply

Nitrous Oxide & Oxygen May Be Through Wall if Lines are run Overhead

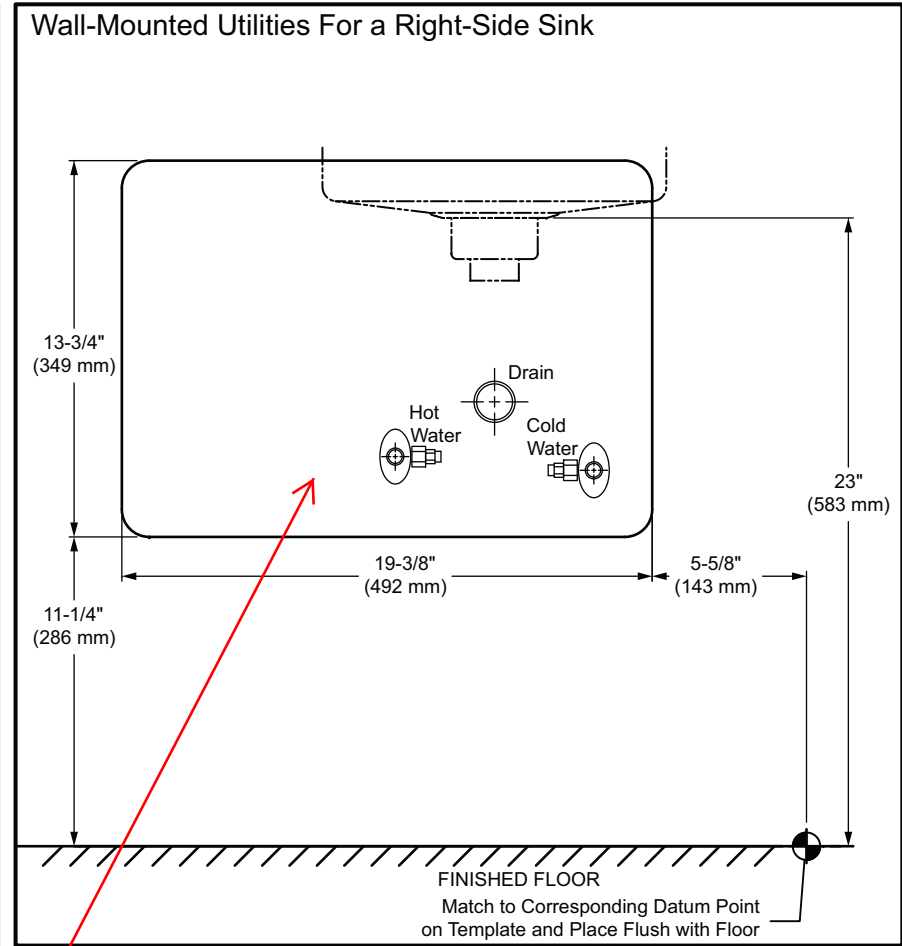
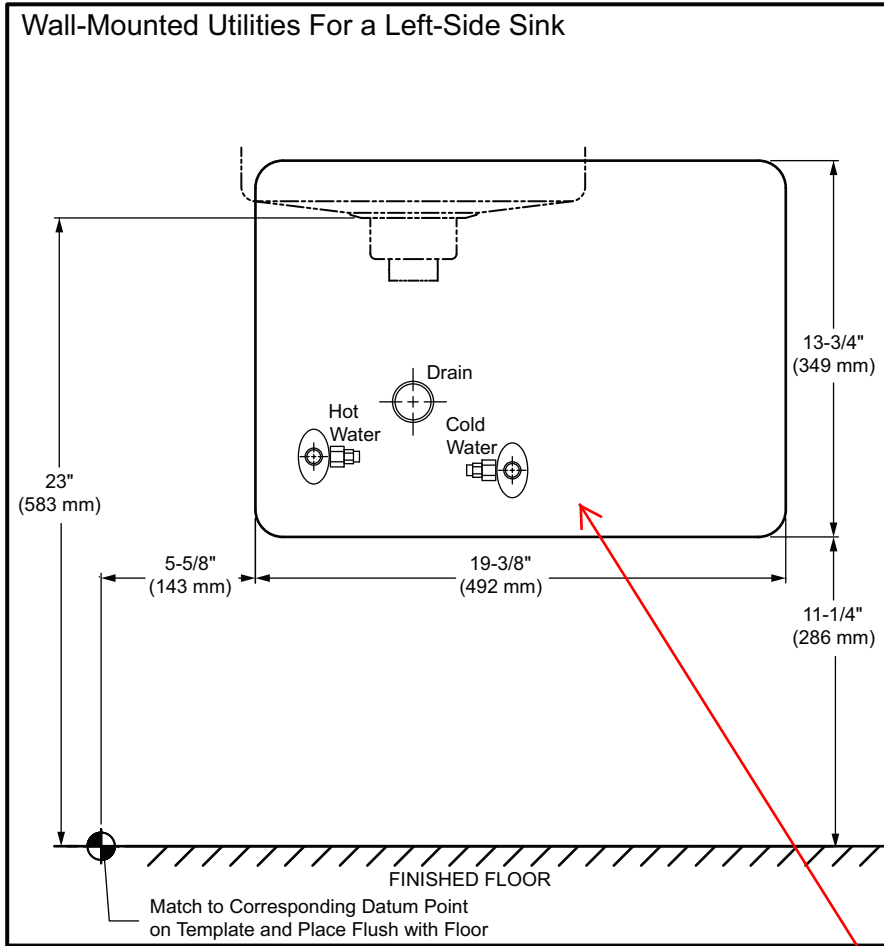
See Page 6 of 10 for Water Supply

E111 5/10



Potential Anchor Locations

Wall Utilities are an option in this location if they fit back to back as occurs. Combination of wall & floor may be an option. Utilities are preferred to be through the floor from below.



Hot water, Cold water and waste to be located in this area to fit within back panel cutout

# Utility Specifications

E111 7/10

## Specifications Table

Utility	Rough-In	Finish	Requirements
Air	Protrude 3" (76 mm)	Protrude 1" (25.4 mm) for 3/8" compression	80-125 psi (550 to 860 kPa), 2.5 scfm (71 sL/min) minimum, during normal use (7.5 scfm [210 sL/min] peak intermittent flow). Flush lines prior to making connections to dental equipment.
Water	Protrude 3" (76 mm)	Protrude 1" (25.4 mm) for 3/8" compression	60 ± 20 psi (410 ±140 kPa), 1.5 gpm (5.7 L/min) minimum, not to exceed 40 °C (104 °F). Flush lines prior to making connections to dental equipment.
Central vacuum	Protrude 3" (76 mm)	Protrude 1" (25.4 mm) for 5/8" (15.9 mm) O.D. tubing and other specified by the central vacuum supplier	<del>Wet Systems: 10 ± 2 inches of Hg (34 ± 7 kPa) and 9 scfm (255 sL/min) minimum. Dry/Semi-dry Systems 4.5 ± 1 inches of Hg (16 ± 3.5 kPa) and 12 scfm (340 sL/min) minimum.</del>
Electrical	1/2" conduit to protrude 3" (76 mm)  Low voltage conduit (2" diameter) for select 594s. For more information, see "Electrical Rough-In Operatory Example" on page 10.	Protrude 1" (25.4 mm)	Make connection to junction box using 1/2" (13 mm) flexible conduit as needed. Wire box per code.
Gravity drain	Protrude 3" (76 mm)	Protrude 1" (25.4 mm)	Basket strainer connects to 1-1/4" or 1-1/2" flanged tailpiece.

See page 8 of 10 and refer to Drawings for Locations

Refer to Vacuum Equipment Supplier and Drawings for actual size of Piping Branches and Main Lines

~~See "Plan Views" on page 25 for information on the locations of utilities.~~

# Electrical Specifications

## Electrical Rough-In

A contractor should supply the x-ray junction box, wiring, conduit and flex conduit. The conduit must protrude 3" (76 mm) from the finished floor.

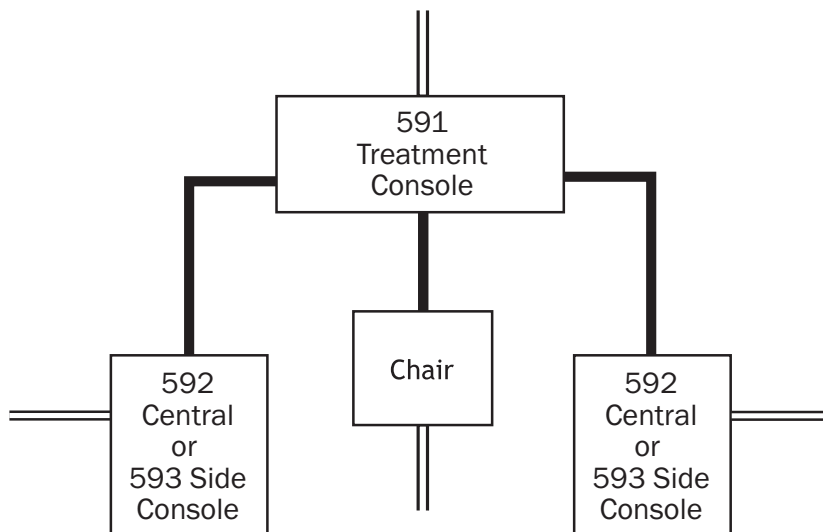
Use the 1/2" flex conduit, as required, to connect the 3" (76 mm) piece from the floor to the junction box. Wire as per local and national electrical codes.

The low voltage conduit is used for routing data lines and touchpad wires, not for line voltage.

If you plan on connecting and controlling LED task lights on all cabinets from the Control Center, consider this during the rough-in.

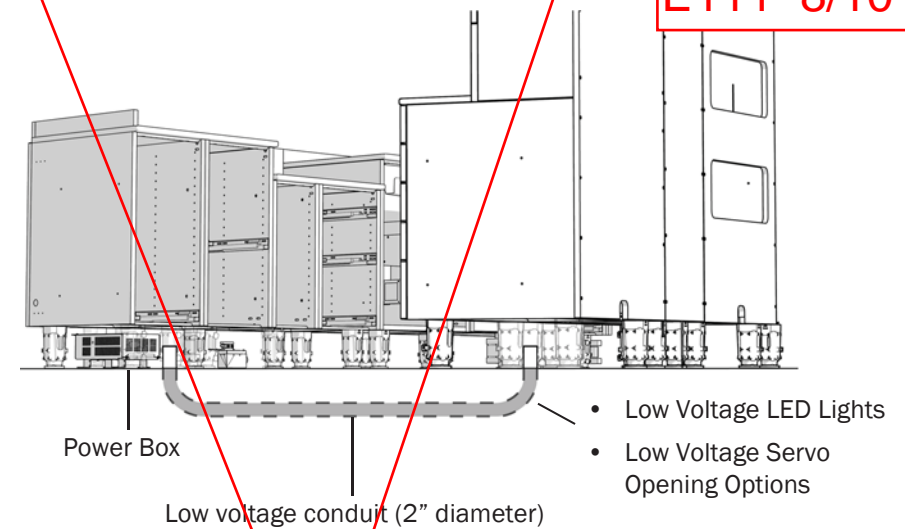
## Electrical Rough-In Operatory Example

- ==== = Line voltage conduit
- = Low voltage conduit (2" diameter)



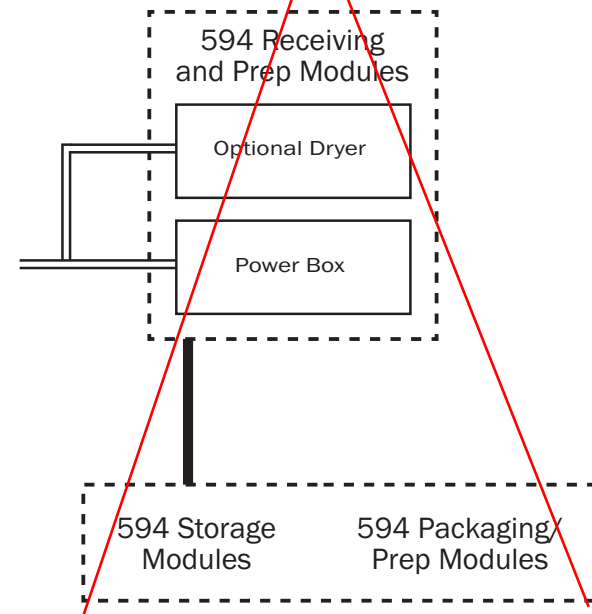
## Electrical Rough-In 594 Galley Example

E111 8/10



## Electrical Rough-In, Sterilization Center Example (galley)

- ==== = Line voltage conduit
- = Low voltage conduit (2" diameter)



## Electrical Connection to Mains

E111 9/10

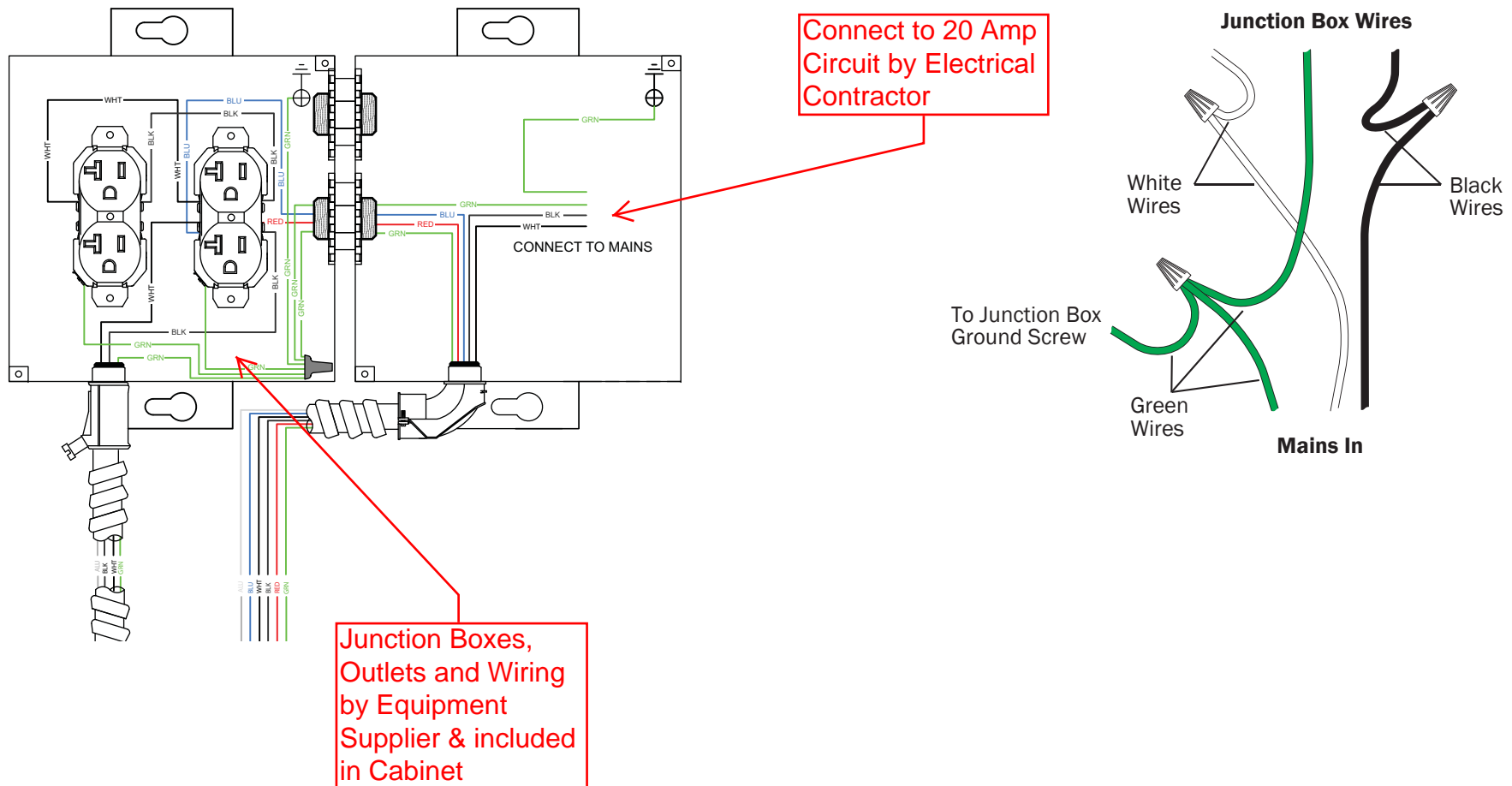


**CAUTION** Local regulation requires licensed electricians to install electrical utilities. All electrical utilities must conform to prevailing local codes. Final electrical connections will be required after the equipment is placed.



**NOTE** Connect incoming power to a 20 A circuit breaker.

Mains power is connected at the junction box located in the cabinet base. See the example below:





## Operating Current for Ancillary Devices/Operator

Ancillary Device	Typical Operating Current (Amps) @ 110-120 VAC
Distribution Box <i>(control center, task lights, ICV®)</i>	2.0
Distribution Box <i>(control center, task lights, ICV, plus optional devices plugged into auxiliary outlets)</i>	9.0 duplex output = 7 A max
Monitor	1.1
Intraoral Camera	2.0
Curing Light	2.0
Amalgamator	2.3
Ultrasonic Scaler	0.9
X-Ray Viewer	0.4

Ancillary Devices Vary  
from Room to Room -  
This is a Reference List



**NOTE** Connect incoming power to each cabinet to a 20 A circuit breaker. The table above shows typical current draw for various devices that might be installed in a cabinet. Always consult the device nameplate for actual power requirements. Ancillary equipment may have substantial power requirements and should be considered when determining total treatment room branch circuits.

## Operating Current for Ancillary Devices/ 594 Sterilization Center

Ancillary Device	Typical Operating Current (Amps) @ 110-120 VAC
Instrument Dryer	14.5
Power Box	4.5



**NOTE** When an instrument dryer is selected, the cabinet (dryer and power box) must be connected to a dedicated 20 A 120 VAC circuit. To prevent nuisance tripping of the circuit breaker and to ensure proper operation of the dryer and power box functions, no other loads can be included on this circuit.

## Additional Electrical Requirements for the E111 10/10

### Instrument Dryer

For the instrument dryer, A-dec provides a junction box in the sink module. A licensed electrician will need to connect the junction box to mains power.

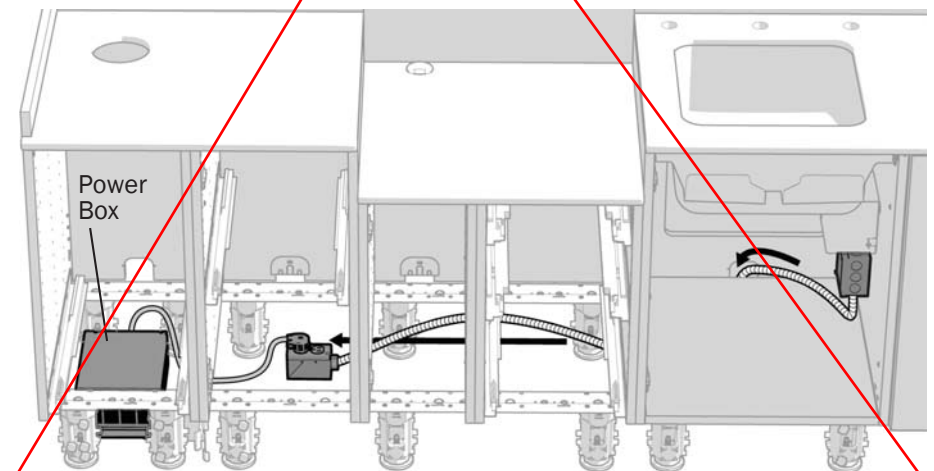
### Power Box/Individual Servo Power Supply

For the power box, the contractor will need to locate a duplex outlet in the base area under the receiving module. Locate the duplex outlet:

- in the floor under the receiving modules,
- in the base of the wall behind the receiving modules, or
- on the end of a conduit provided by a licensed electrician, wired to the junction box under the sink, and long enough to reach the receiving modules and/or Sterile Servo modules.
- in the floor under Sterile Storage modules

### Ancillary Devices

For ancillary devices, such as sterilizers and ultrasonic cleaners, provide the electrical supply in the space noted on the utility/back panel templates, or anchor it to the floor in the base area. Refer to the device manufacturer for supply requirements. There are no electrical duplex receptacles supplied with the A-dec Inspire 594 Sterilization Cabinets. These must be provided by the contractor.



# SIDE CONSOLES

## WALL-MOUNTED CABINETS

Extra storage on the wall keeps countertops and workspaces neat and tidy. Add to that a concealed light mount and the look is effortlessly streamlined and orderly.

Wall-mounted cabinet options: 28" storage or dispenser, 56" storage and dispenser combination, or 48" X-ray storage insert.

### FEATURED HIGHLIGHTS

- Adjustable glass shelves organize and store treatment supplies.
- Contemporary design emphasizes productivity and technology integration.
- Versatile wall-mounting design allows optimum positioning above wash stations.
- X-ray pass-through storage (x-ray storage insert) allows access to either treatment room, reducing equipment costs.
- Complete integrated dispenser for cups, towels, masks and gloves keeps essential items neatly organized.
- Full suspension door track (x-ray storage insert) opens and closes smoothly and easily.
- Integrated mount incorporates A-dec dental light or monitor mount.

## LOWER ONLY

More than just storage, the lower side console offers advantages ranging from a barrier dispenser to sharps disposal, keeping equipment and materials well organized and within reach.

Side console (lower only) available lengths: 28", 42", 56", 70" or 84".

### FEATURED HIGHLIGHTS

- Maximizes storage and dispensing from either side of the treatment room.
- Extra-wide drawers provide easy access to materials and allow you to organize colored bins to meet your materials management strategy.
- Various cabinet depths allow versatility where space is limited.
- Accommodates A-dec 542 side delivery system (84" cabinet only).



56" dispenser and storage combination shown with LED dental light.



~~56"~~ lower side console houses ancillary devices.

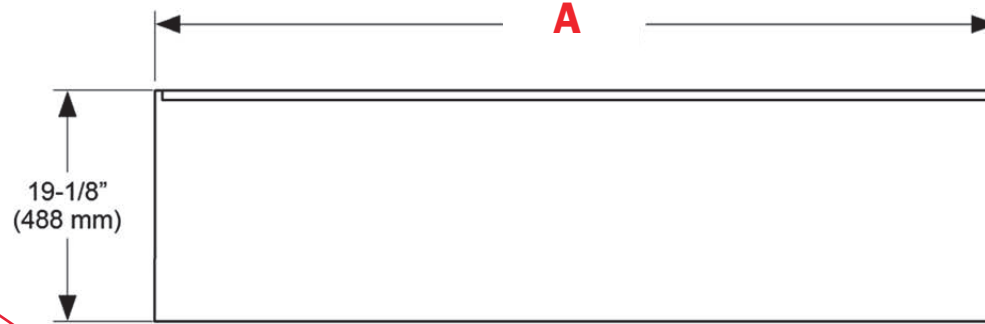
\*Dimensions reflect countertop length. Cabinet footprint is an additional 2".

# 593 - 70" Lower Side Console, 19" Depth with 34" Countertop Height

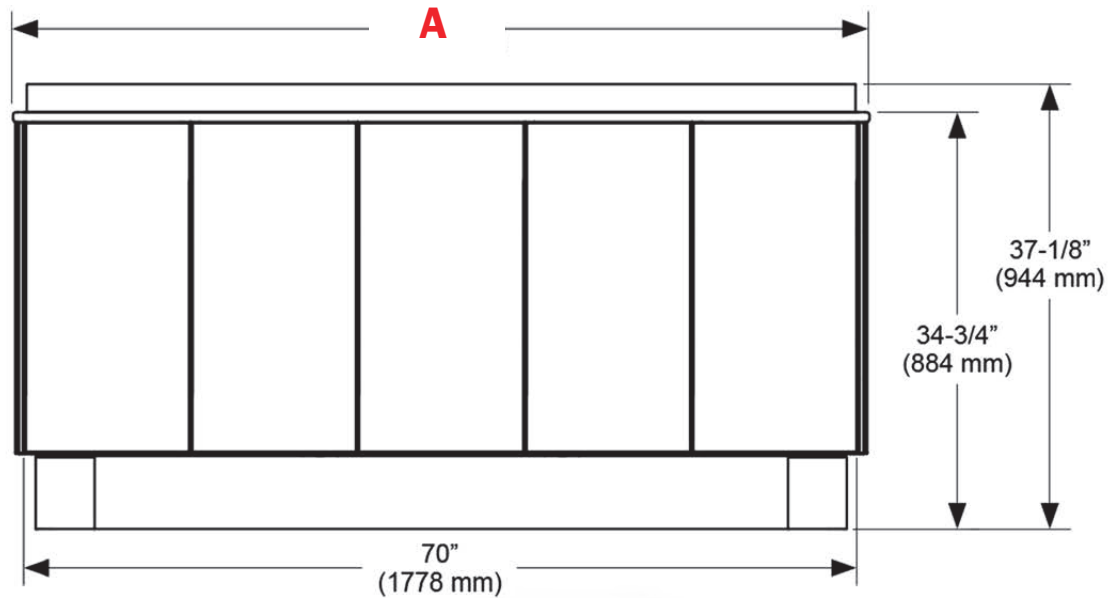
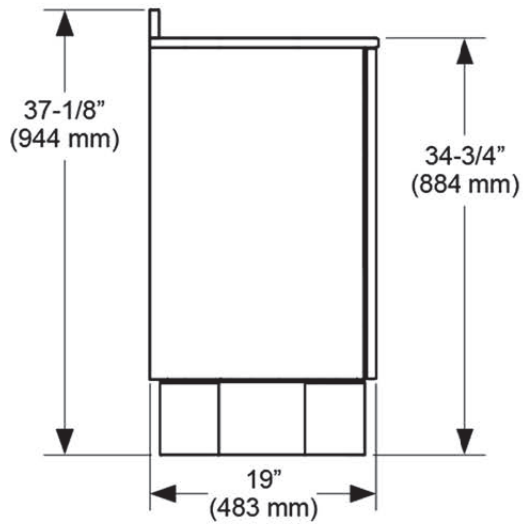
E112 2/4

**A**

End Cap Configuration	Width
Both flat	70-1/2" (1791 mm)
Both curved	71-7/8" (1825 mm)
Curved-flat	71-1/8" (1807 mm)

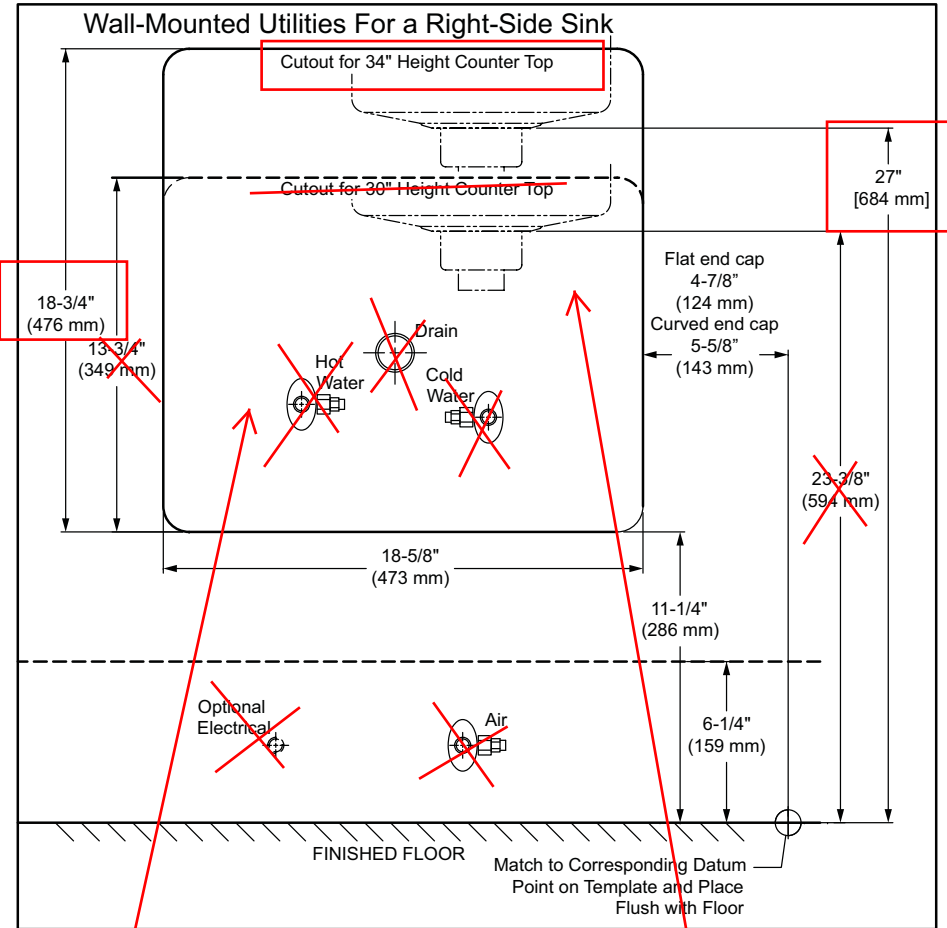
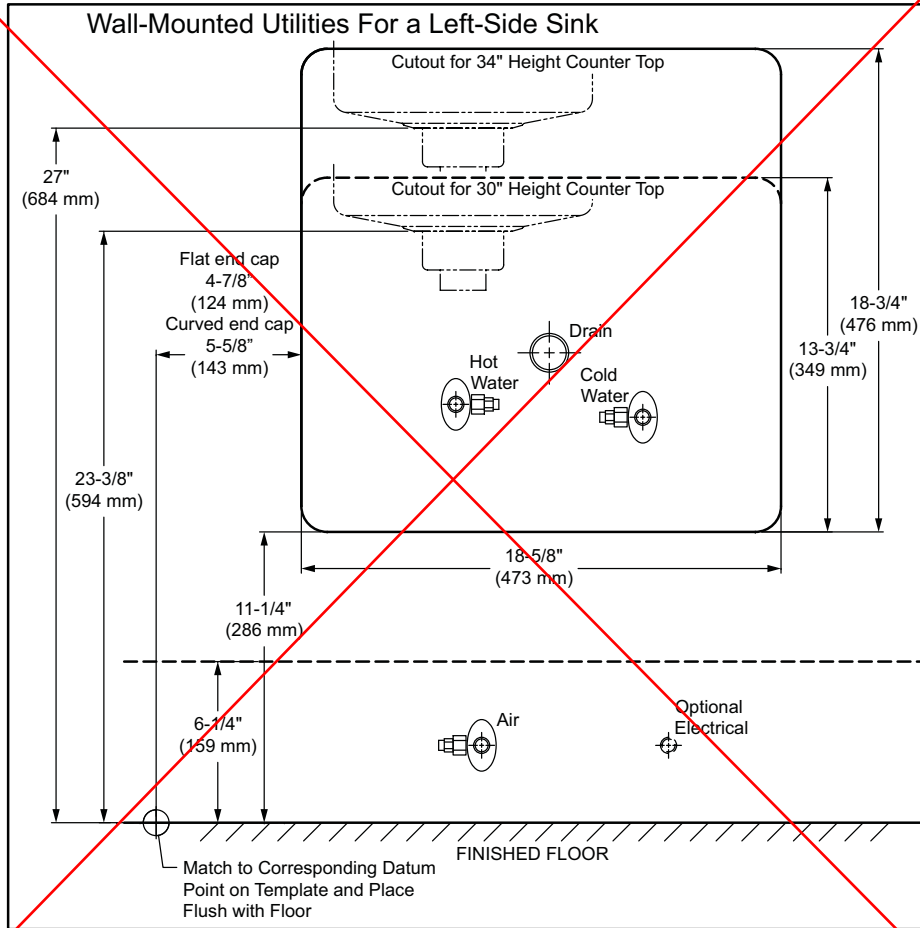


No Sink



593 Side Console, Utilities/Back Panel

E112 3/4



Data outlet in cutout space

Quadplex outlet in cutout space

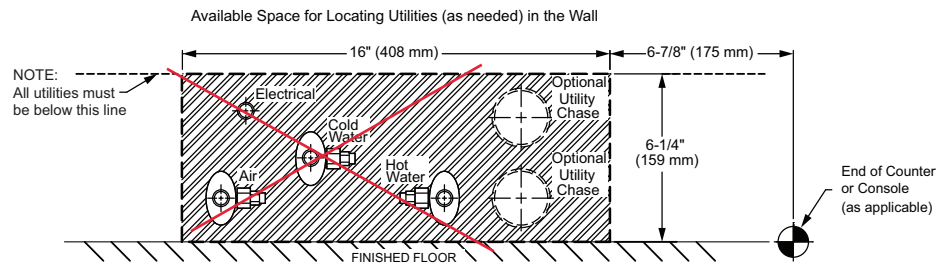
Preferred locations for power and data in wall

# 593 Side Console, 19" Depth with Right Sink

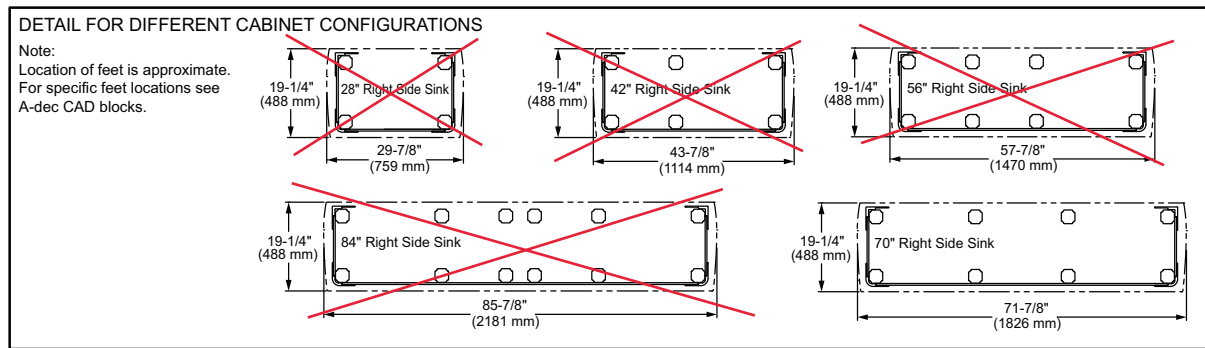
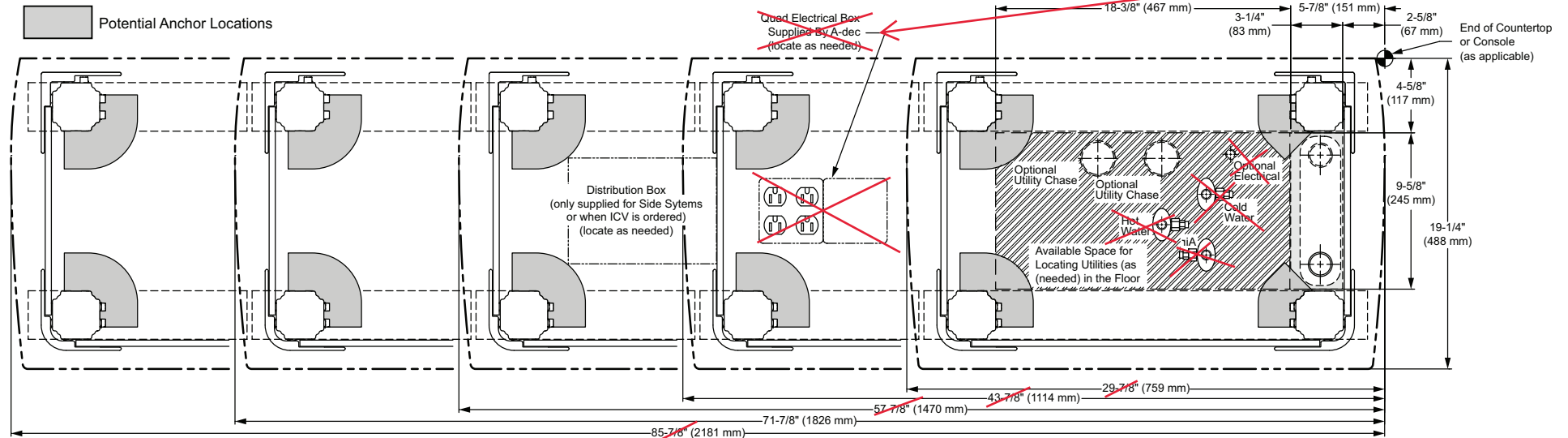
**E112 4/4**

\* Diagram below shows widths for configurations with two curved end caps.  
**Additional end cap configuration widths**—One flat, one curved - subtract 3/4" from the dimensions below. Both flat - subtract 1-1/2" from the dimensions below.

Note: Optional alternate Electrical connection locations. Or may be a combination of both floor and wall locations. Preferred locations are shown on page 3. Preferred 2" Utility conduit chase location through floor.



Quad Electrical not supplied with only lower cabinet. Electrical Contractor to provide junction box and quad electrical boxes if supplied thru floor or toe kick space



Note: No Plumbing or Air in this cabinet

# SIDE CONSOLES

## WALL-MOUNTED CABINETS

Extra storage on the wall keeps countertops and workspaces neat and tidy. Add to that a concealed light mount and the look is effortlessly streamlined and orderly.

Wall-mounted cabinet options: 28" storage or dispenser, 56" storage and dispenser combination, or 48" X-ray storage insert.

### FEATURED HIGHLIGHTS

- Adjustable glass shelves organize and store treatment supplies.
- Contemporary design emphasizes productivity and technology integration.
- Versatile wall-mounting design allows optimum positioning above wash stations.
- X-ray pass-through storage (x-ray storage insert) allows access to either treatment room, reducing equipment costs.
- Complete integrated dispenser for cups, towels, masks and gloves keeps essential items neatly organized.
- Full suspension door track (x-ray storage insert) opens and closes smoothly and easily.
- Integrated mount incorporates A-dec dental light or monitor mount.

## LOWER ONLY

More than just storage, the lower side console offers advantages ranging from a barrier dispenser to sharps disposal, keeping equipment and materials well organized and within reach.

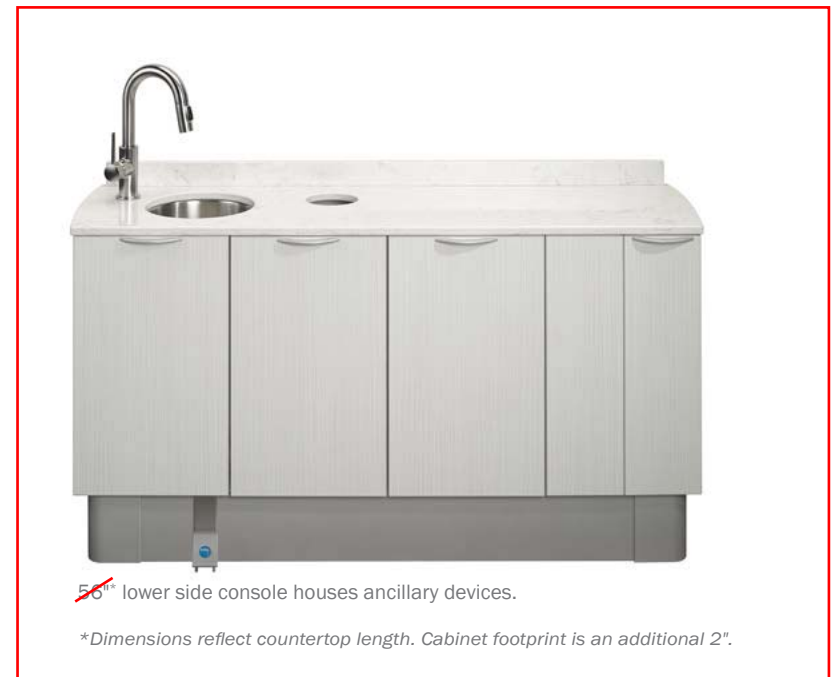
Side console (lower only) available lengths: 28", 42", 56" 70" or 84".

### FEATURED HIGHLIGHTS

- Maximizes storage and dispensing from either side of the treatment room.
- Extra-wide drawers provide easy access to materials and allow you to organize colored bins to meet your materials management strategy.
- Various cabinet depths allow versatility where space is limited.
- Accommodates A-dec 542 side delivery system (84" cabinet only).



56" dispenser and storage combination shown with LED dental light.

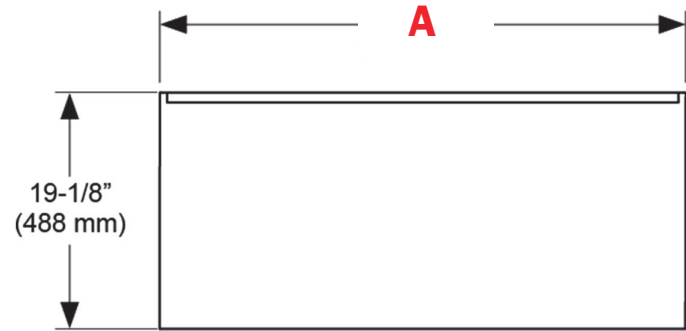


~~56"~~ lower side console houses ancillary devices.

\*Dimensions reflect countertop length. Cabinet footprint is an additional 2".

593 - 42" Lower Side Console, 19" Depth with 34" Countertop Height

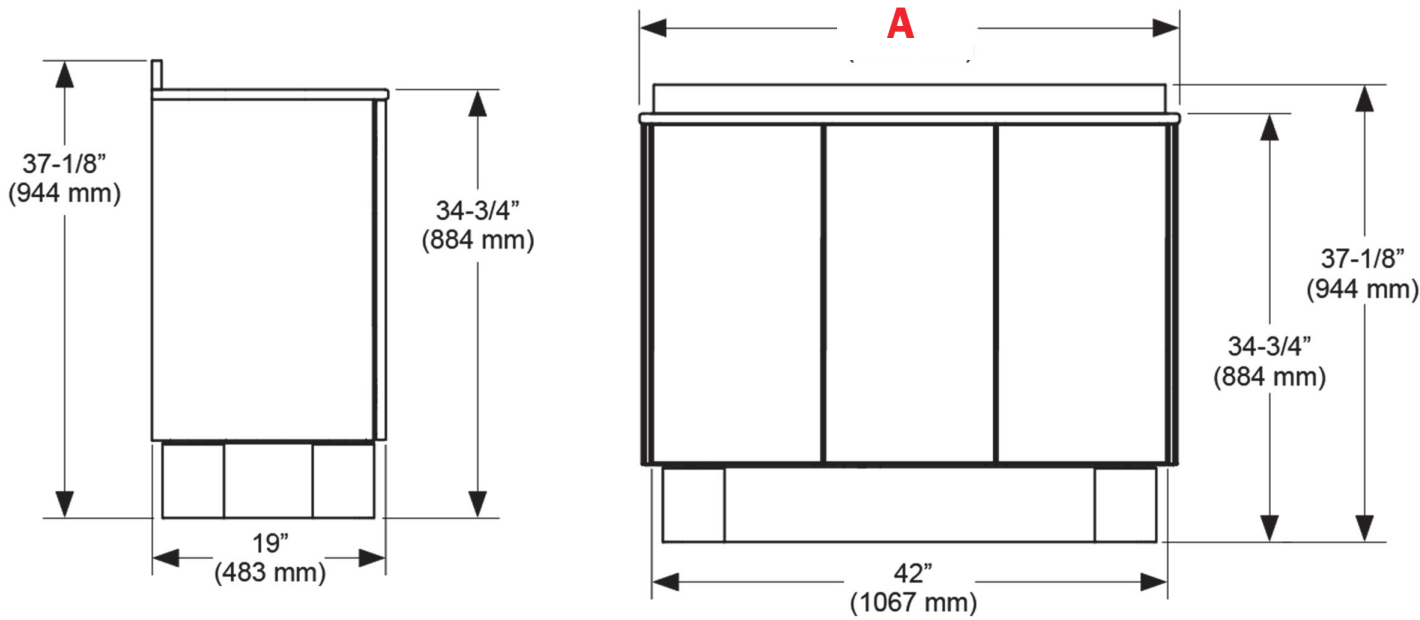
E113 2/4



A

End Cap Configuration	Width
Both flat	42-1/2" (1079 mm)
Both curved	43-7/8" (1114 mm)
Curved-flat	43-1/8" (1096 mm)

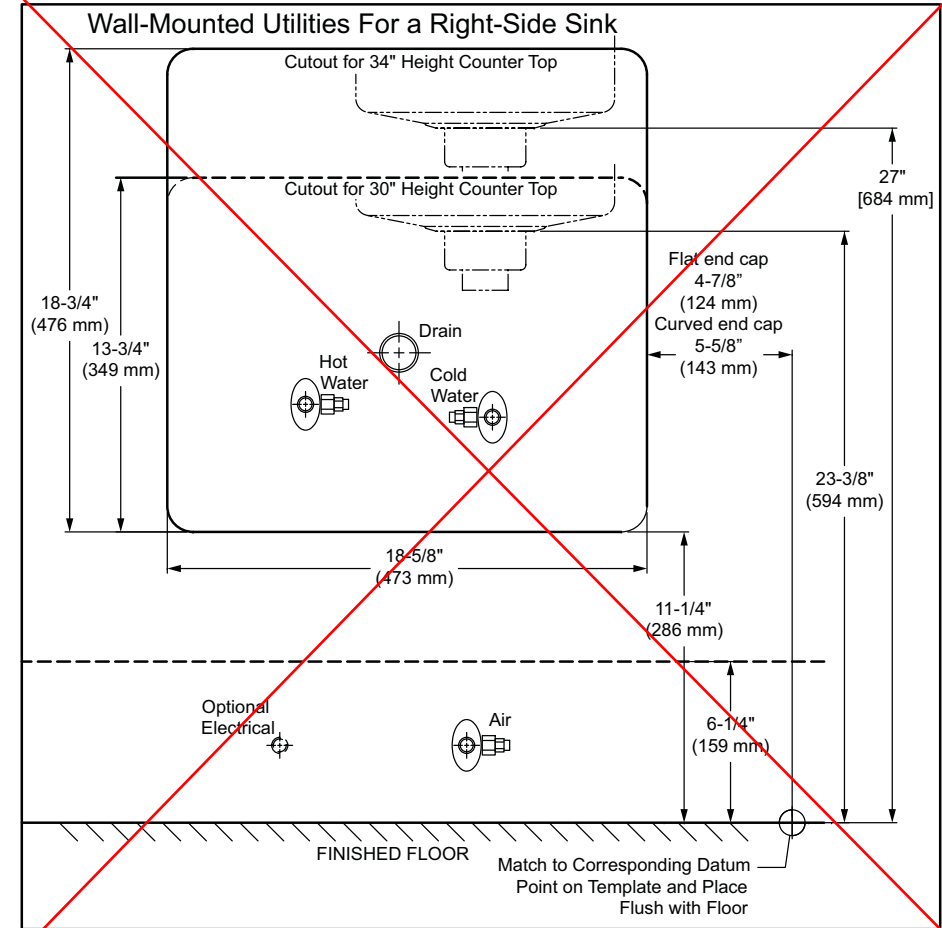
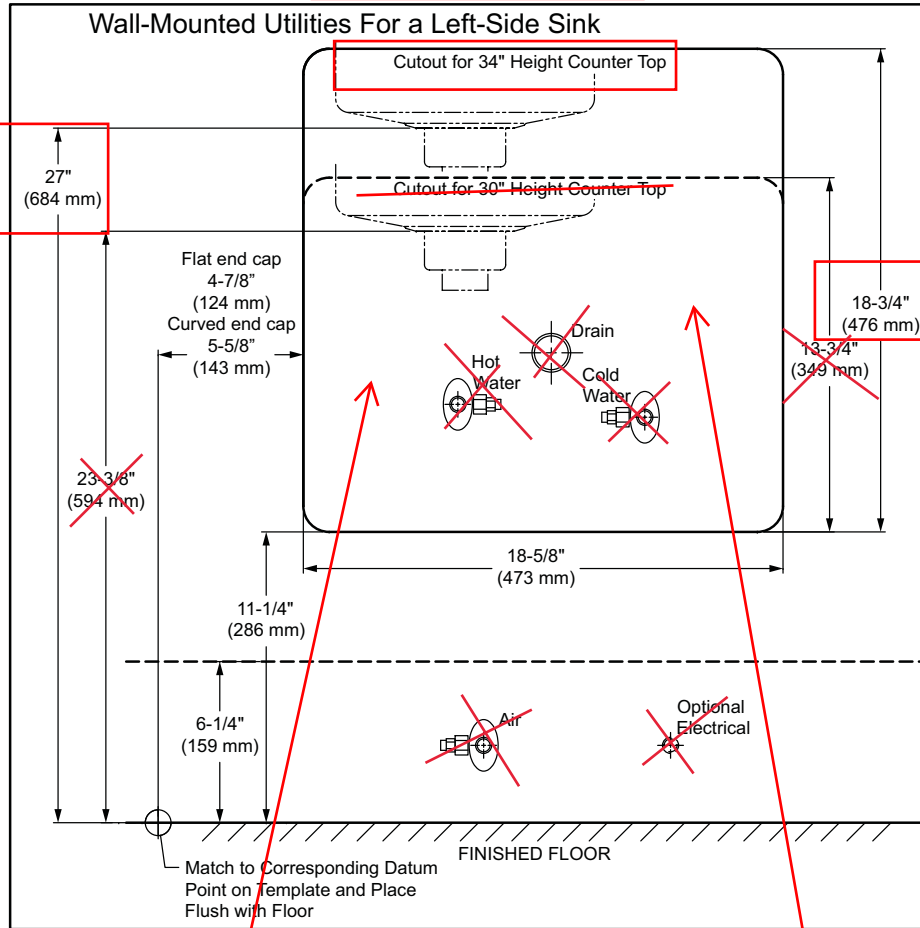
No Sink



**593 Side Console, Utilities/Back Panel**

**No Sink - Cutout only**

**E113 3/4**



**Data outlet in cutout space**

**Quadplex outlet in cutout space**

**Preferred locations for power and data in wall**



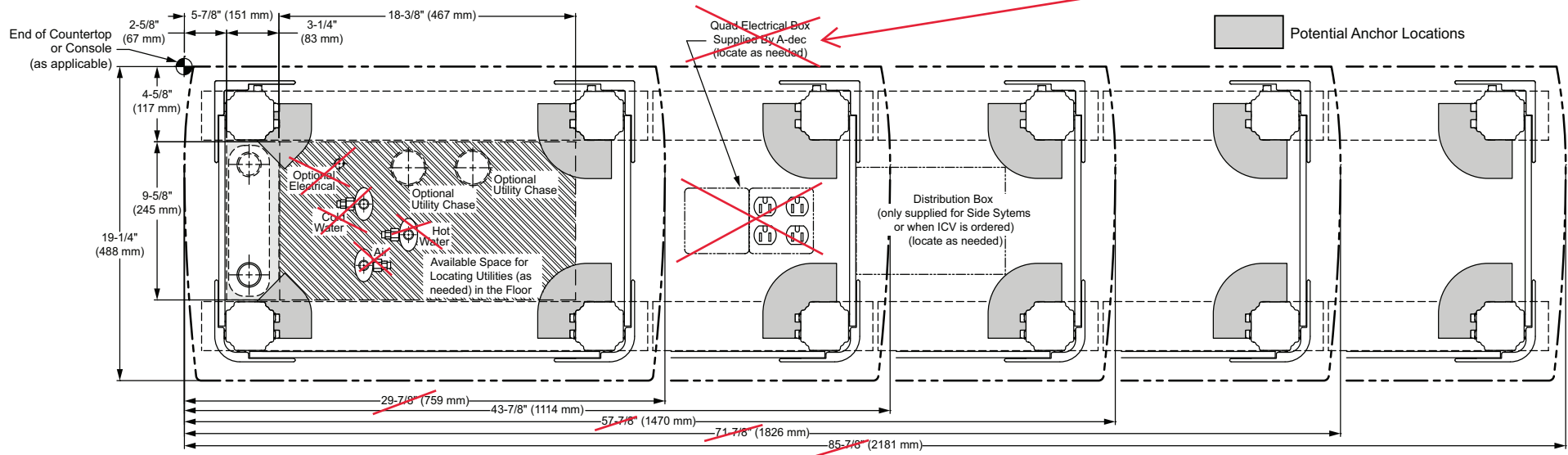
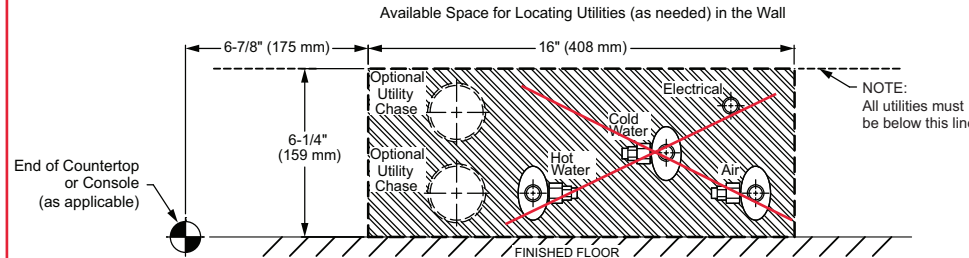
# 593 Side Console, 19" Depth with Left Sink

**E113 4/4**

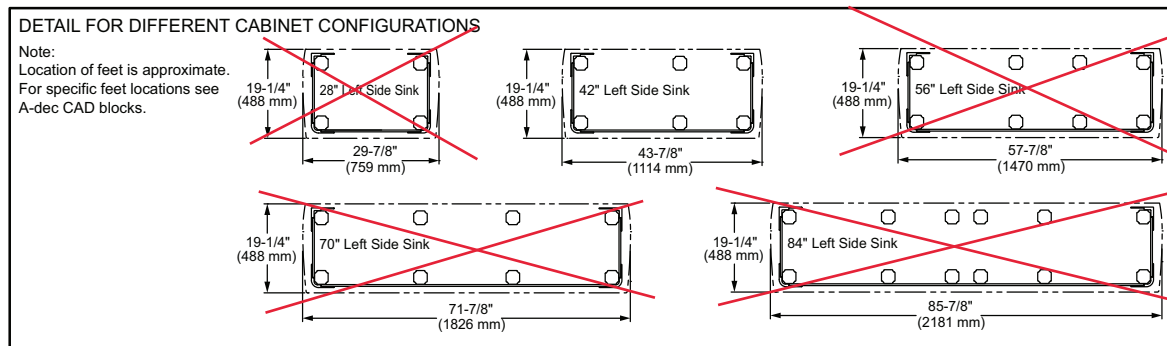
\* Diagram below shows widths for configurations with two curved end caps.  
**Additional end cap configuration widths**—One flat, one curved - subtract 3/4" from the dimensions below. Both flat - subtract 1-1/2" from the dimensions below.

**Note: Optional alternate Electrical connection locations. Or may be a combination of both floor and wall locations. Preferred locations are shown on page 3. Preferred 2" Utility conduit chase location through floor.**

**Quad Electrical not supplied with only lower cabinet . Electrical Contractor to provide junction box and quad electrical boxes if supplied thru floor or toe kick space**



**Note: No plumbing or Air in this cabinet**





# A-dec Inspire™ 595 Wall-Mounted Cabinet

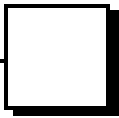
## INSTALLATION GUIDE



A-dec 595 ~~56" Storage and~~ Dispenser Wall-Mounted Cabinet

### Recommended Tools

- Four-foot level
- Drill with 3/16", 1/4", 5/16", and 1/2" bits
- Rubber mallet
- Power screwdriver with Phillips head bit
- Hex key set
- Phillips head screwdriver
- #2 Pozidriv® screwdriver
- Awl



## Install the Cleat

Follow the installation instructions for your wall's configuration.

**Wood Studs** ..... **This page**  
**Metals Studs and No Studs** ..... **5**

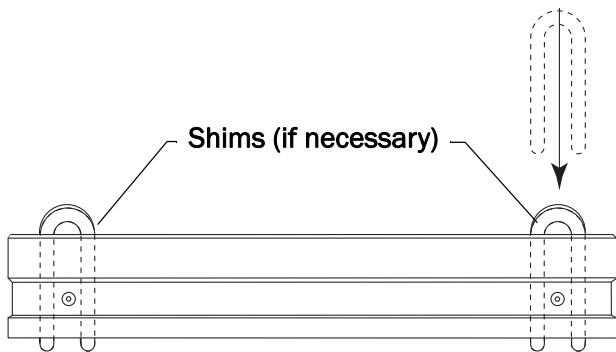
**Note: Installation by Adec - For reference only for backing and dimensions**

### Wood Studs

These instructions are for anchoring to two wood studs. If you are anchoring to one wood stud and one toggle anchor, follow these instructions for the anchoring to the wood stud and the instructions under "Metal Studs and No Studs" on page 5 for anchoring with the toggle anchor.



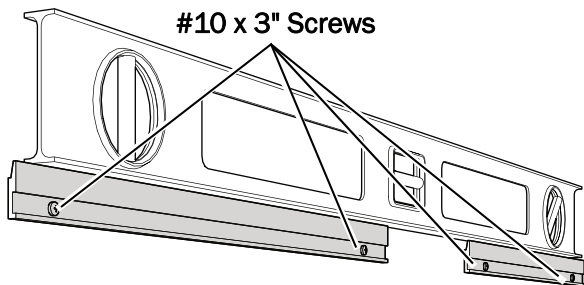
**NOTE** Shims are provided to prevent the cleat from distorting when installed against an uneven wall surface. Failure to prevent the cleat from distortion may make installing the cabinet more difficult.



- 1** Install #10 x 3" screws through the cleat and into the stud(s) at the proper locations. Do not fully tighten the screws.
- 2** If necessary, use the "U" shaped shims to ensure the cleat does not distort while installing the screws.



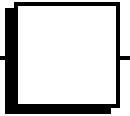
Actual Size



- 3** Level the cleat. If you are installing two cleats, ensure they are level with each other.
- 4** Tighten the screws.

**Next Step** If your cabinet is two or more modules, see "Secure the Dispenser to the Storage Cabinet (56" cabinet only)" on page 7.

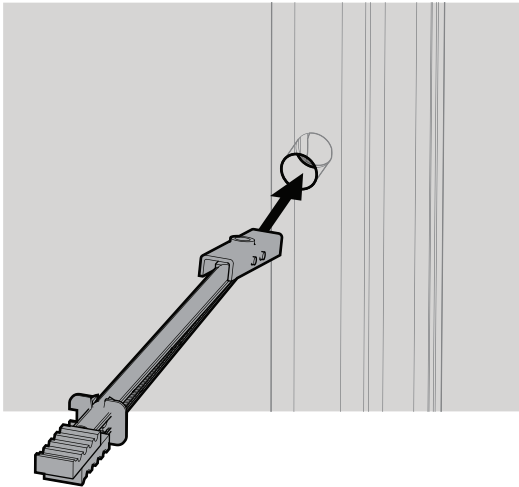
If your cabinet is one module, see "Install the Storage or Dispenser Cabinet" on page 8.



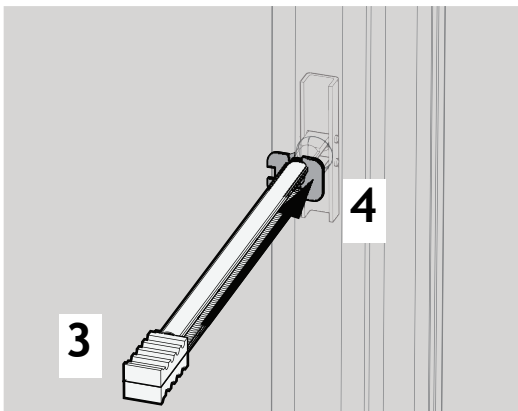
## Metal Studs and No Studs

### Install the Toggle Anchors

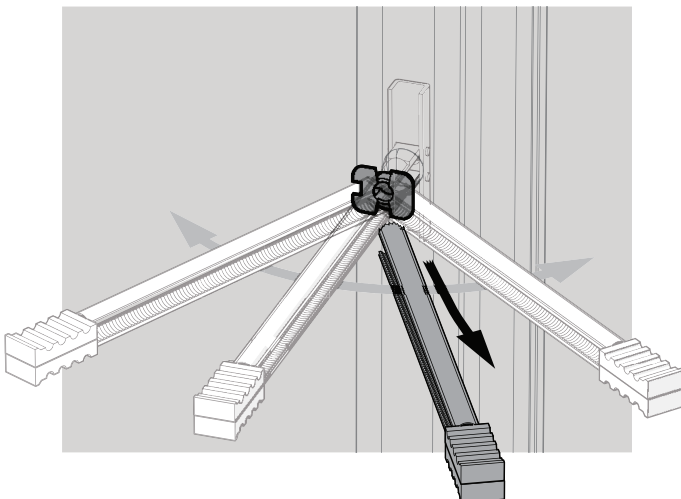
Note: Installation by Adec - For reference only for backing and dimensions



- 1** Hold the metal catch of the toggle anchor flat against the plastic strap.
- 2** Push the catch fully through the holes in the wall and stud.



- 3** Pull the handle of the toggle anchor straight out.
- 4** Slide the plastic cap down the plastic strap until the cap is flush with the wall.

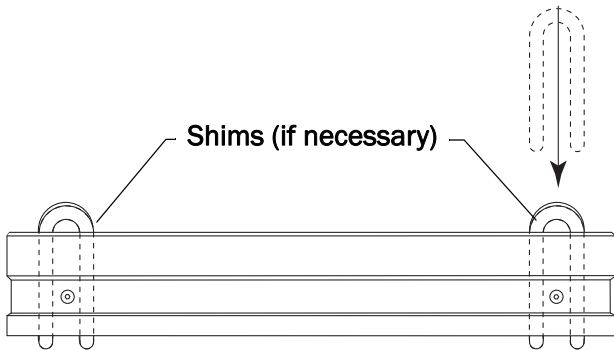


- 5** Rock the strap side to side, snapping it off at the wall.

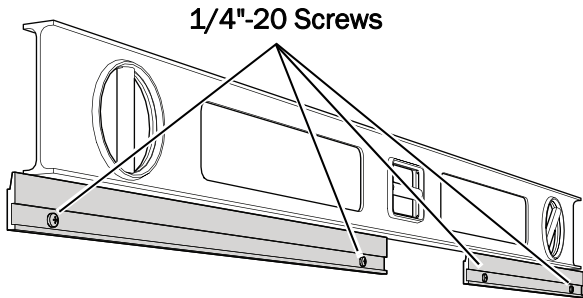
## Secure the Cleat to the Wall



**NOTE** Shims are provided to prevent the cleat from distorting when installed against an uneven wall surface. Failure to prevent the cleat from distortion may make installing the cabinet more difficult.



Actual Size



1/4"-20 Screws

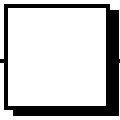
- 1** Install the 1/4"-20 screws through the cleat into the toggle anchors at the proper locations. Do not fully tighten the screws.
- 2** If necessary, use the "U" shaped shims to ensure the cleat does not distort while installing the rest of the screws.

Note: Installation by Adec - For reference only for backing and dimensions

- 3** Level the cleat. If you are installing two cleats, ensure they are level with each other.
- 4** Tighten the screws.

**Next Step** If your cabinet is two or more modules, see "Secure the Dispenser to the Storage Cabinet (56" cabinet only)" on page 7.

If your cabinet is one module, see "Install the Storage or Dispenser Cabinet" on page 8

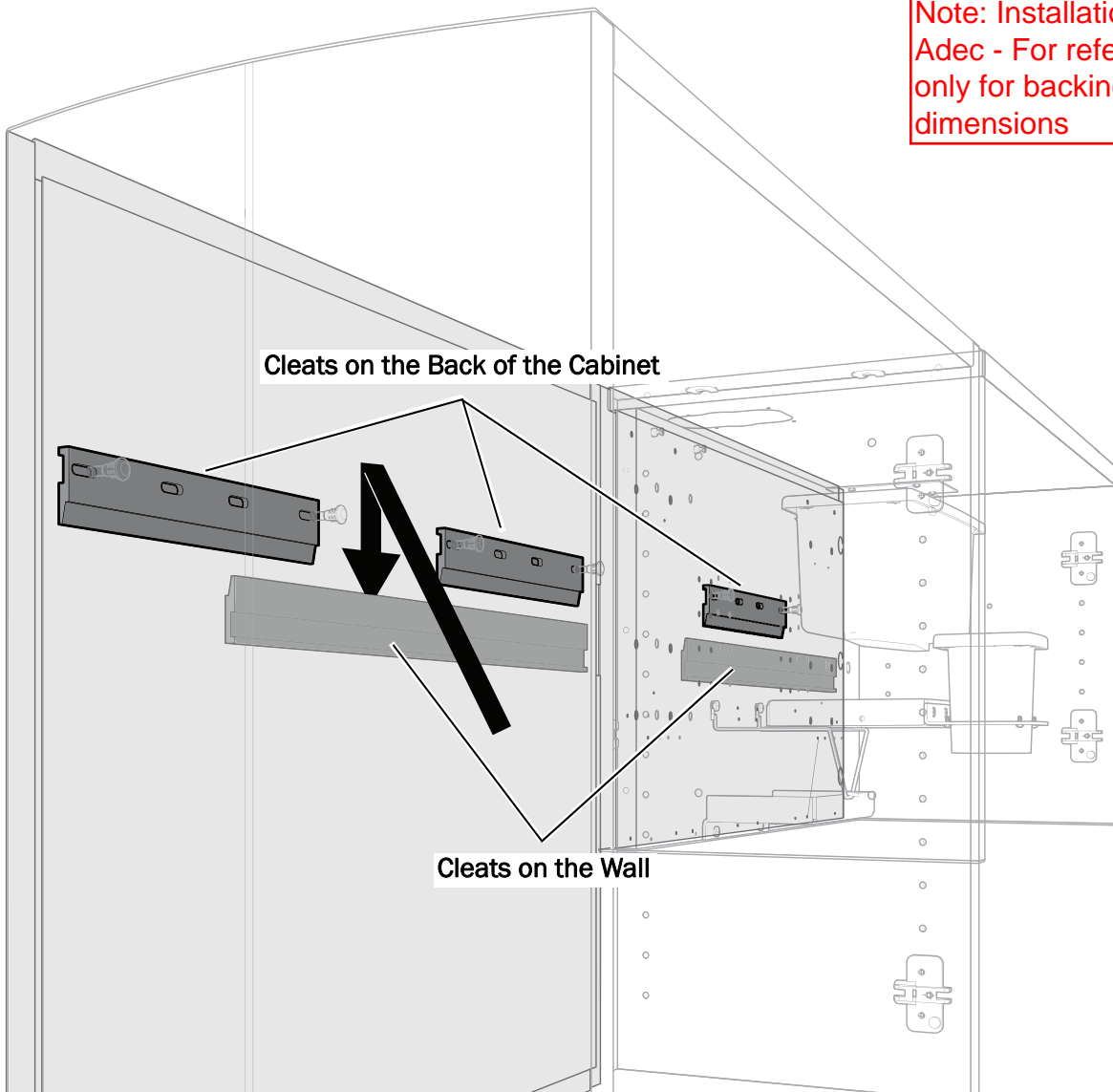


## Install the Storage or Dispenser Cabinet

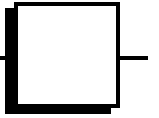


**TIP** To increase accessibility and improve handling, remove the doors.

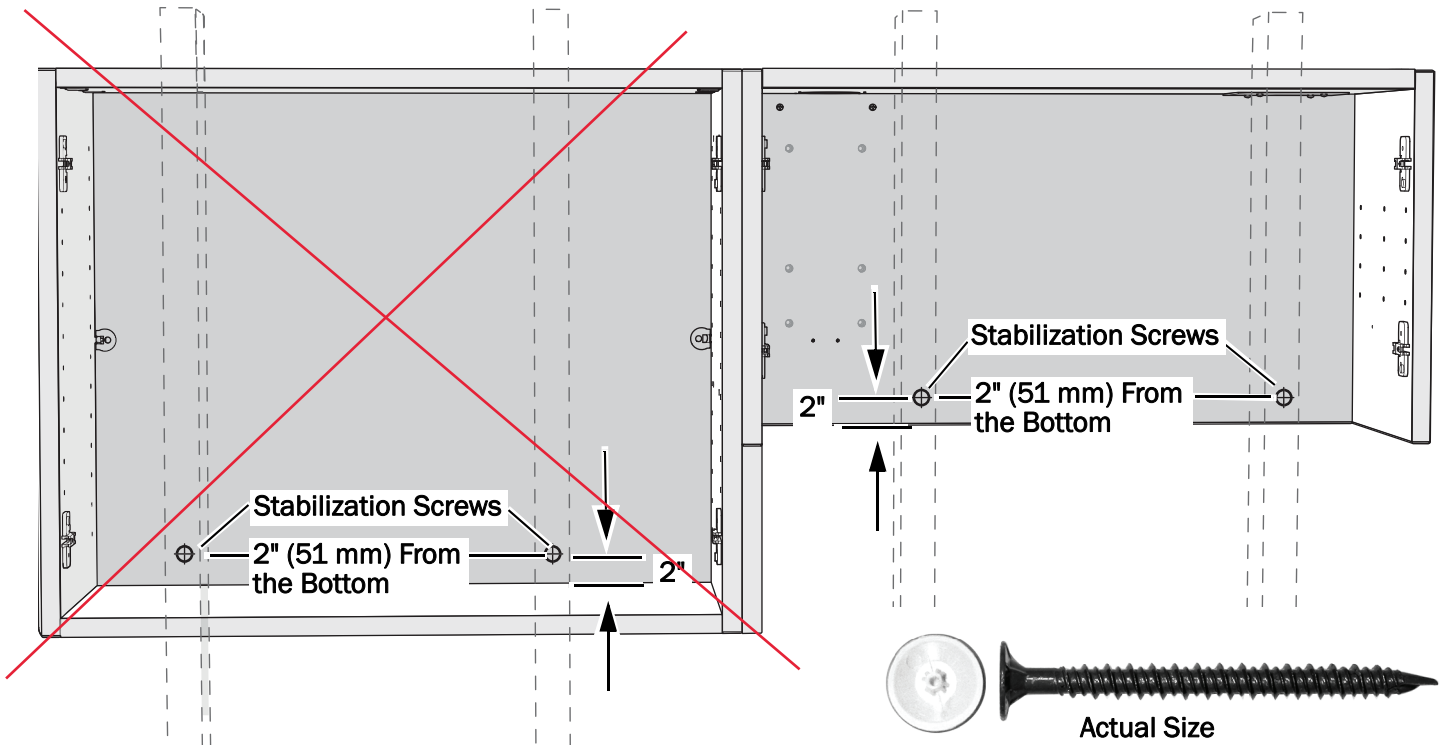
### Place the Cabinet on the Cleat



- 1** Lift the cabinet assembly and place it against the wall.
- 2** Slide the cabinet assembly down so the mounting cleats engage.



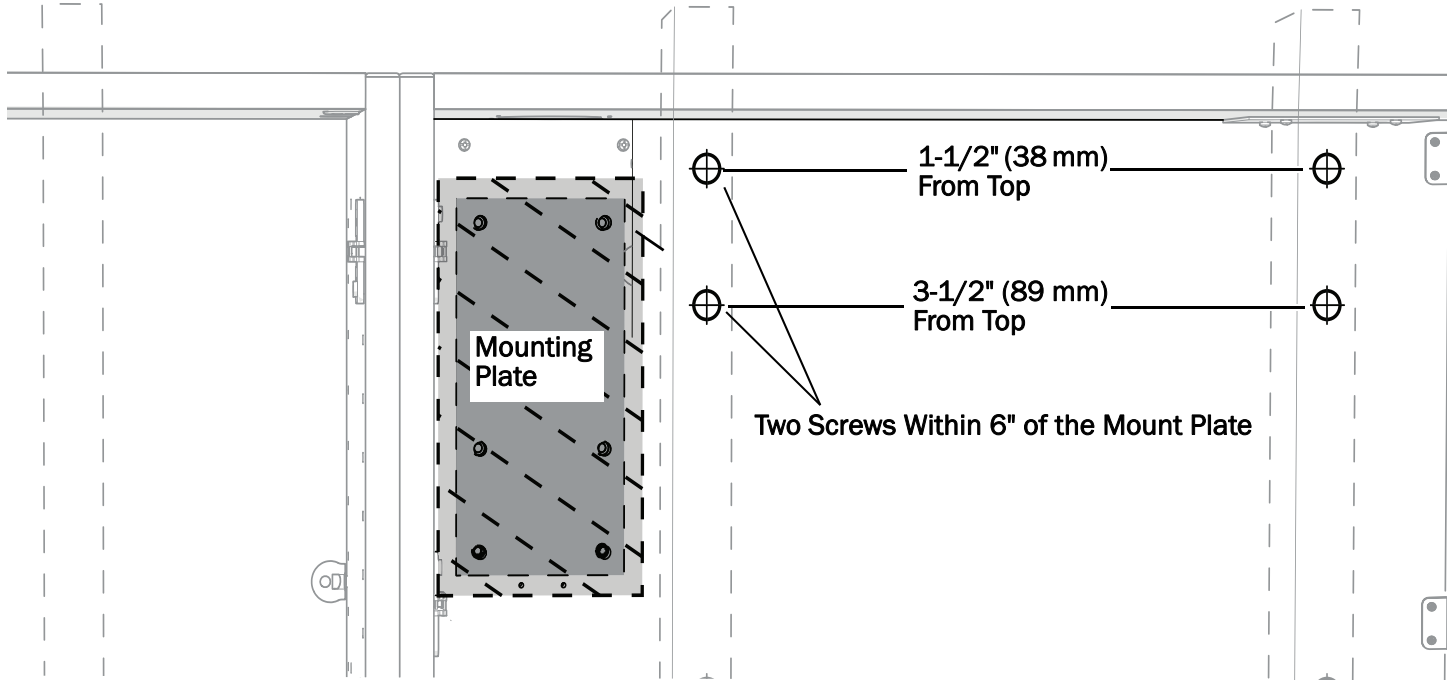
## Install the Stabilization Screws



- 1** Use a 3/16" drill bit to drill a hole through the cabinet back at the center of each stud 2" (51 mm) above the bottom of the cabinet. Drill through the cabinet back but not into the stud.
- 2** Install two stabilization screws per cabinet, where possible.
- 3** Install the cap covers on the screws.

Note: Installation by Adec - For reference only for backing and dimensions

## Install the Hex Fasteners



### Prepare the Holes for Wood Studs

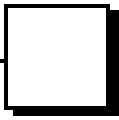
- 1** Use a 3/16" drill bit to drill two holes into each stud in the locations shown in the image.
- 2** Use a 5/16" drill bit to increase the size of the holes in the cabinet only. This creates clearance for the hex fastener.
- 3** Continue with "Install the Hex Fasteners into the Holes" on page 11.

### Prepare the Holes for Metal Studs

- 1** Use a 1/2" drill bit to drill a hole through the cabinet into each stud in the locations shown in the image.
- 2** Install toggle anchors through the cabinet into the holes. For more information, see steps 1 through 5 under "Metal Studs and No Studs" on page 5.
- 3** Continue with "Install the Hex Fasteners into the Holes" on page 11.

Note: Installation by  
Adec - For reference  
only for backing and  
dimensions



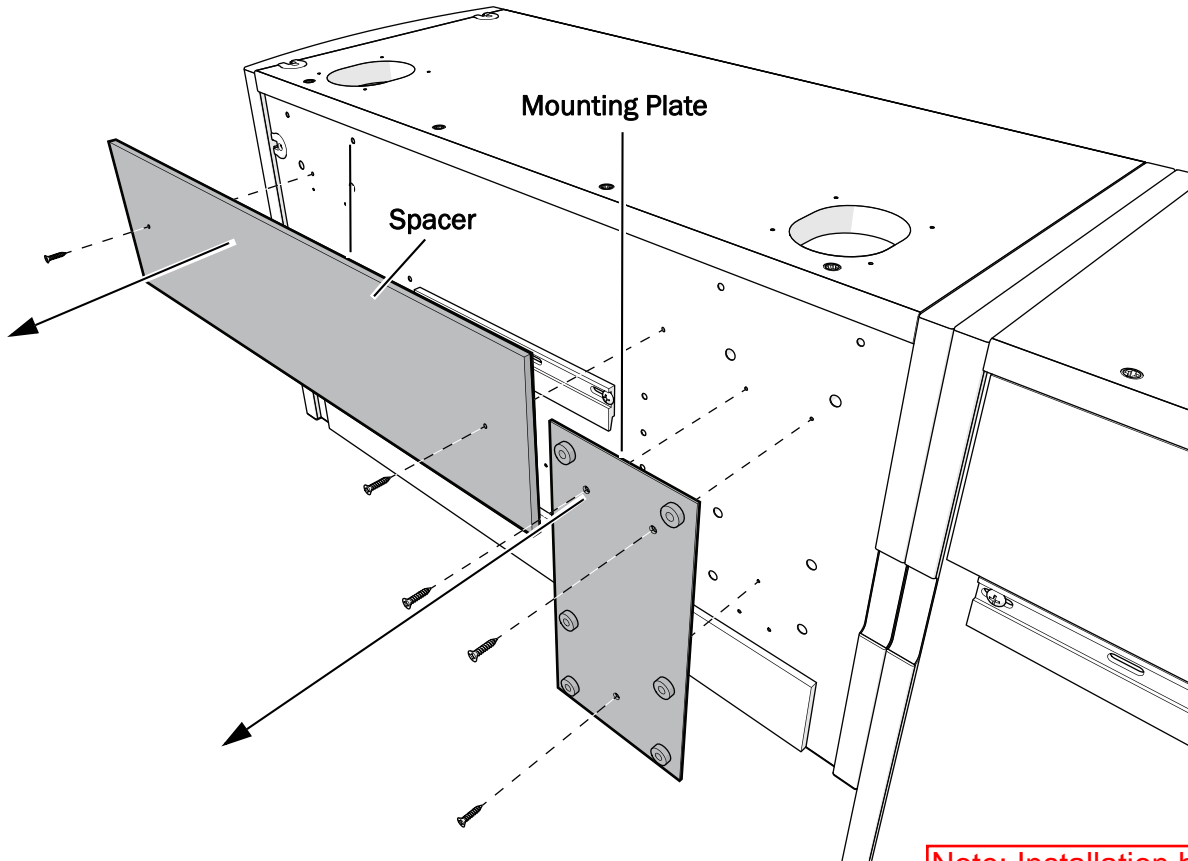


## Move the Mounting Plate and Dispensers (optional)

### Remove the Plate and Spacer from the Back of the Cabinet

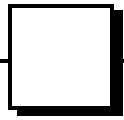


**NOTE** Follow the instructions in this section only if the mounting plate is in the incorrect position for the desired location of a light or monitor mount to be installed.

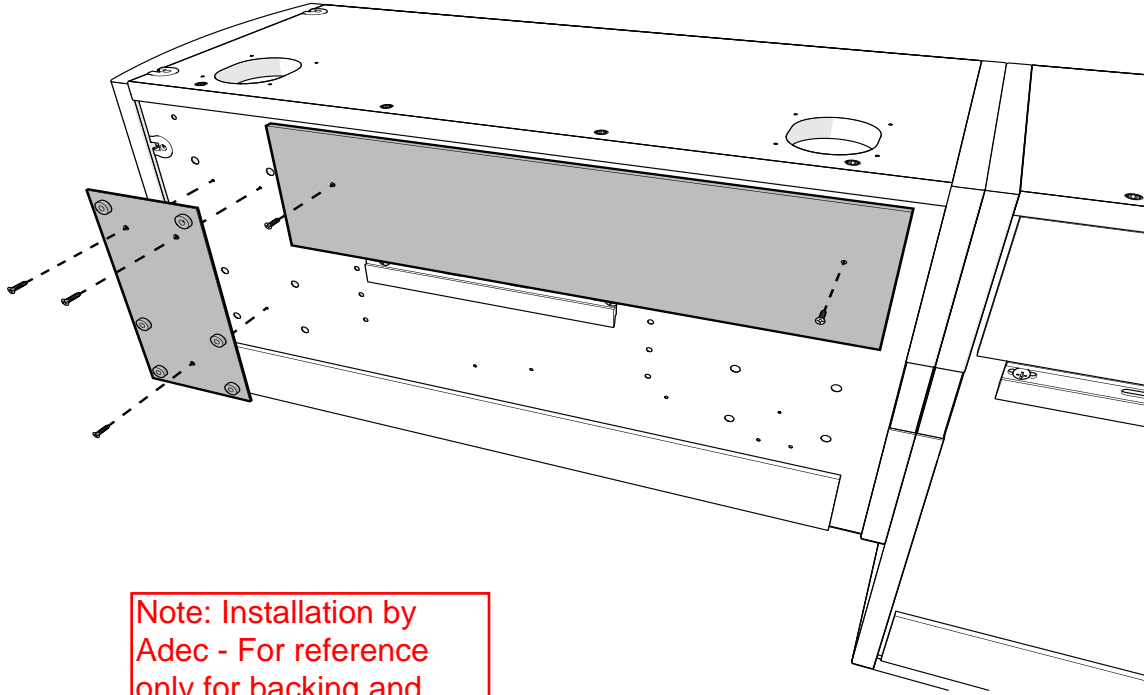


- 1** Remove the five screws to remove the mounting plate and spacer.

Note: Installation by Adec - For reference only for backing and dimensions

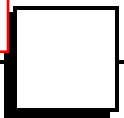


## Reinstall the Mounting Plate and Spacer

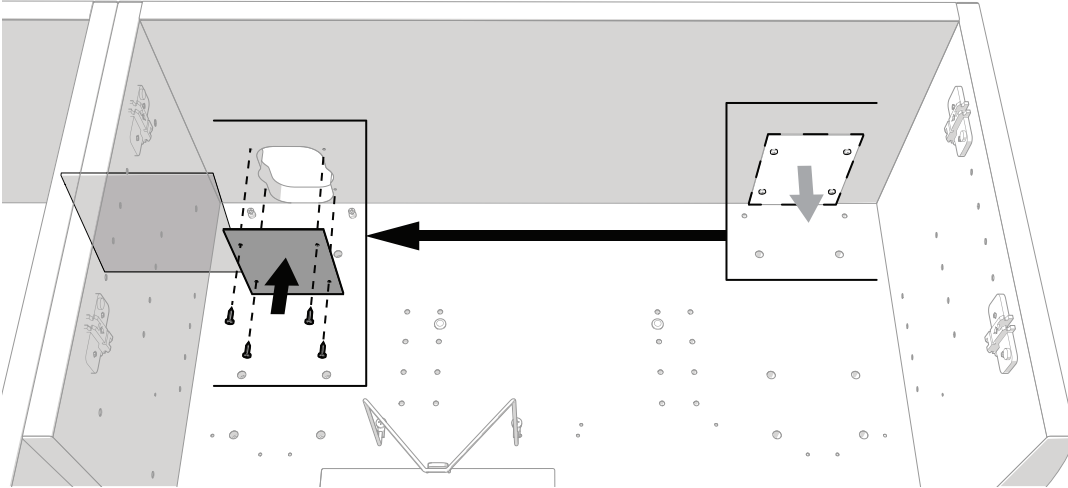


Note: Installation by Adec - For reference only for backing and dimensions

- 1 Reinstall the mounting plate and the spacer in the new location.

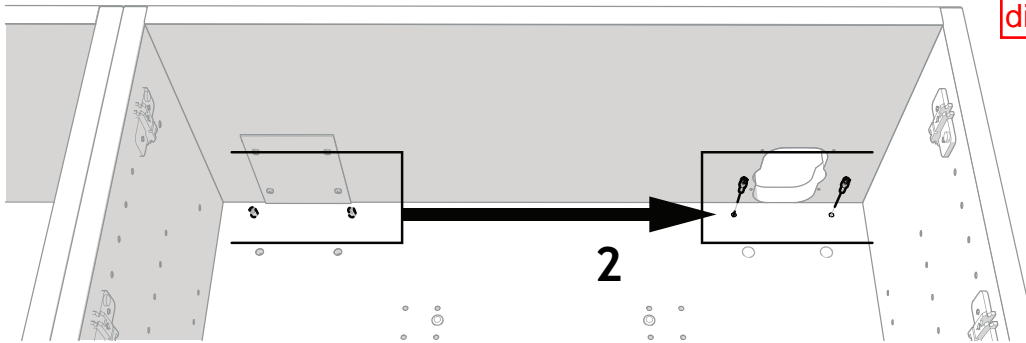


### Move the Post Hole Cover, Hole Caps, and Pins

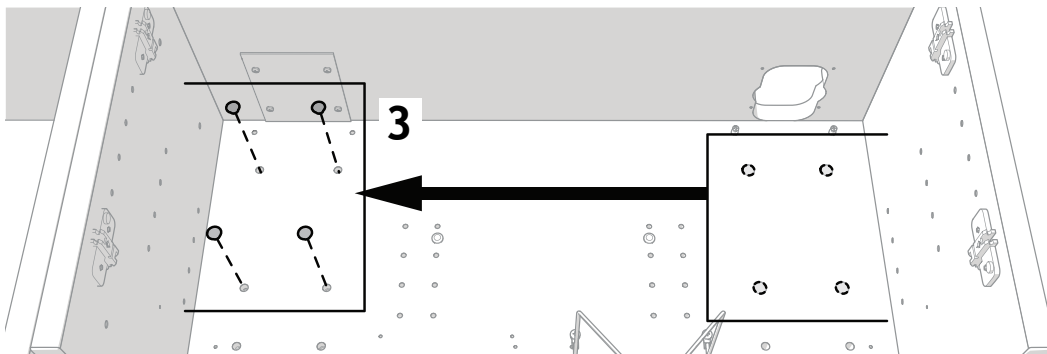


**1** Move the post hole cover to the new location.

Note: Installation by Adec - For reference only for backing and dimensions



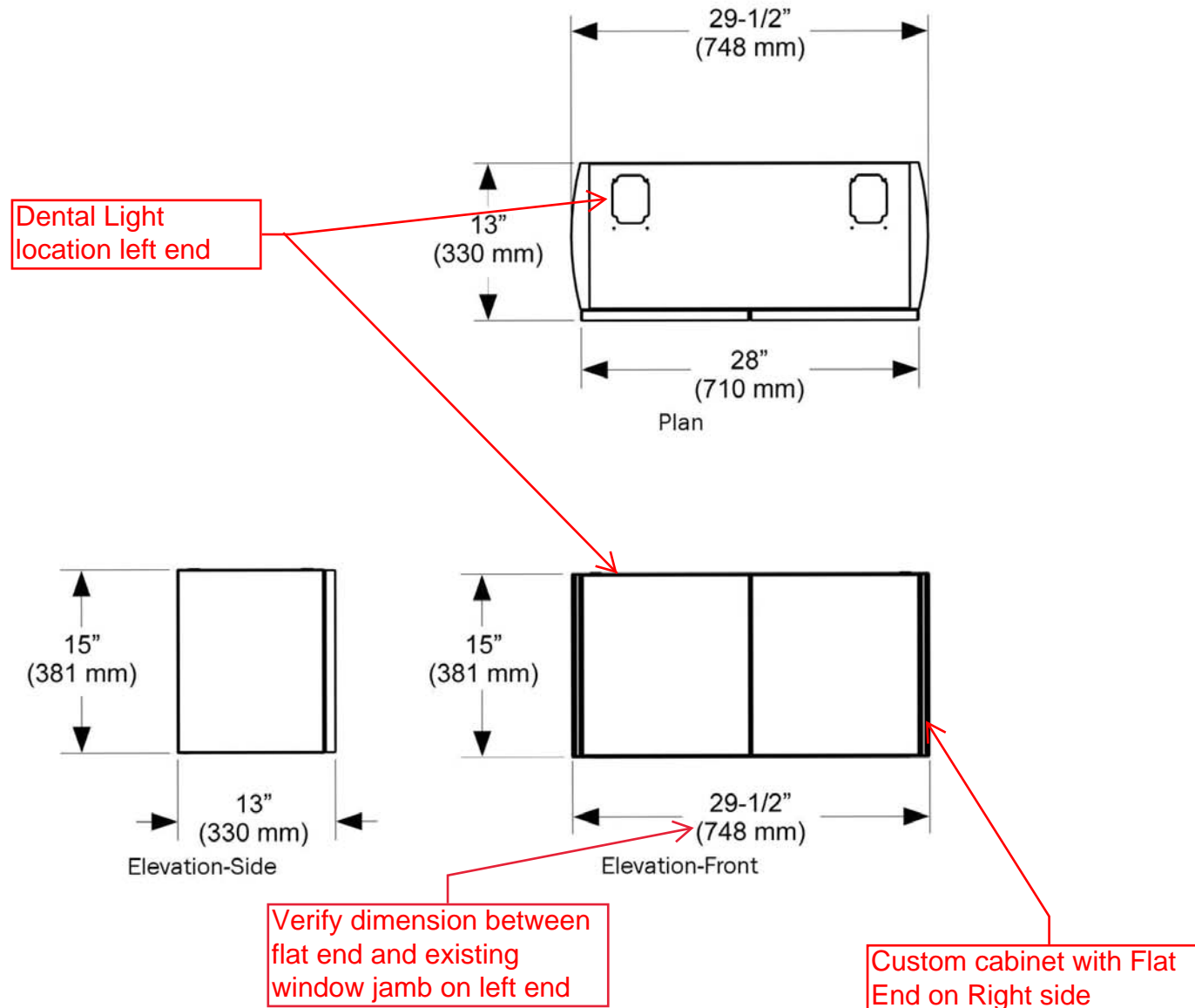
**2** Move the pins to the new location.



**3** Move the hole caps to the new location.

E116 11/11

### A-dec Inspire 595 - 28" Wall-Mounted Dispenser





# A-dec Inspire™ 595 Wall-Mounted Cabinet

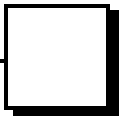
## INSTALLATION GUIDE



~~A-dec 595 56" Storage and Dispenser Wall-Mounted Cabinet~~

### Recommended Tools

- Four-foot level
- Drill with 3/16", 1/4", 5/16", and 1/2" bits
- Rubber mallet
- Power screwdriver with Phillips head bit
- Hex key set
- Phillips head screwdriver
- #2 Pozidriv® screwdriver
- Awl



# Install the Cleat

Follow the installation instructions for your wall's configuration.

- Wood Studs** ..... **This page**
- Metals Studs and No Studs** ..... **5**

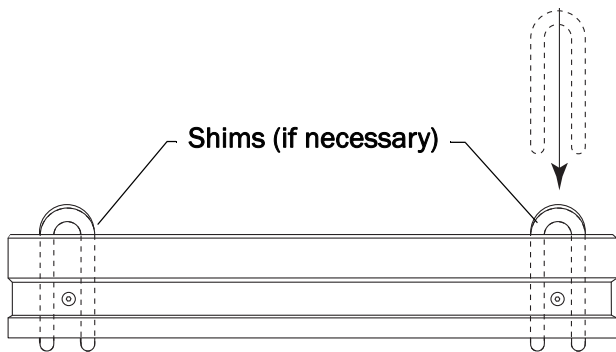
Note: Installation by Adec - For reference only for backing and dimensions

## Wood Studs

These instructions are for anchoring to two wood studs. If you are anchoring to one wood stud and one toggle anchor, follow these instructions for the anchoring to the wood stud and the instructions under "Metal Studs and No Studs" on page 5 for anchoring with the toggle anchor.



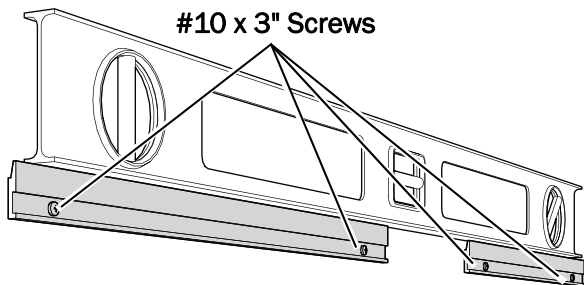
**NOTE** Shims are provided to prevent the cleat from distorting when installed against an uneven wall surface. Failure to prevent the cleat from distortion may make installing the cabinet more difficult.



- 1** Install #10 x 3" screws through the cleat and into the stud(s) at the proper locations. Do not fully tighten the screws.
- 2** If necessary, use the "U" shaped shims to ensure the cleat does not distort while installing the screws.



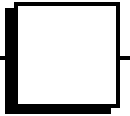
Actual Size



- 3** Level the cleat. If you are installing two cleats, ensure they are level with each other.
- 4** Tighten the screws.

**Next Step** If your cabinet is two or more modules, see "Secure the Dispenser to the Storage Cabinet (56" cabinet only)" on page 7.

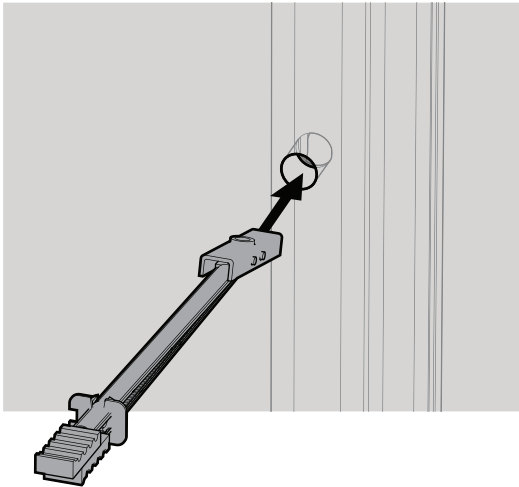
If your cabinet is one module, see "Install the Storage or Dispenser Cabinet" on page 8.



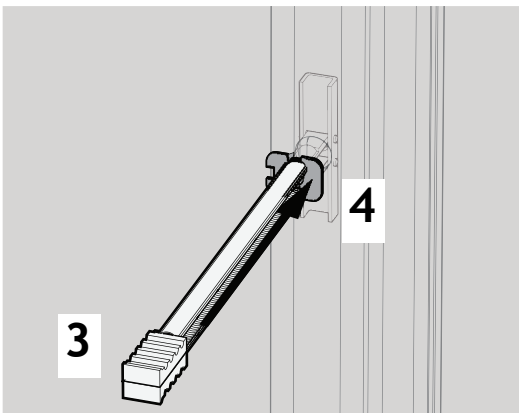
## Metal Studs and No Studs

### Install the Toggle Anchors

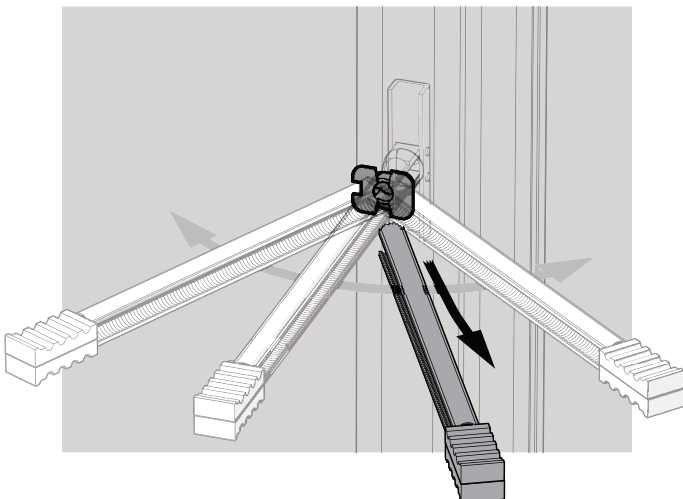
Note: Installation by Adec - For reference only for backing and dimensions



- 1** Hold the metal catch of the toggle anchor flat against the plastic strap.
- 2** Push the catch fully through the holes in the wall and stud.



- 3** Pull the handle of the toggle anchor straight out.
- 4** Slide the plastic cap down the plastic strap until the cap is flush with the wall.

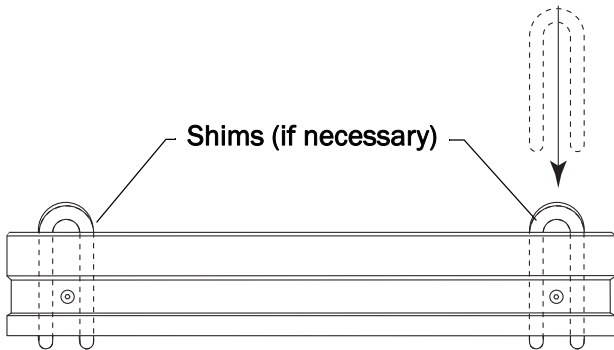


- 5** Rock the strap side to side, snapping it off at the wall.

## Secure the Cleat to the Wall



**NOTE** Shims are provided to prevent the cleat from distorting when installed against an uneven wall surface. Failure to prevent the cleat from distortion may make installing the cabinet more difficult.

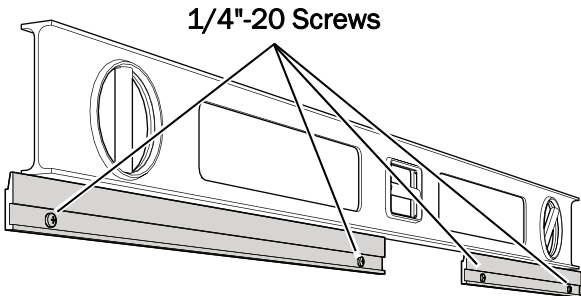


Actual Size

**1** Install the 1/4"-20 screws through the cleat into the toggle anchors at the proper locations. Do not fully tighten the screws.

**2** If necessary, use the "U" shaped shims to ensure the cleat does not distort while installing the rest of the screws.

Note: Installation by Adec - For reference only for backing and dimensions



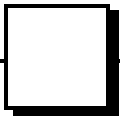
**3** Level the cleat. If you are installing two cleats, ensure they are level with each other.

**4** Tighten the screws.

**Next Step** If your cabinet is two or more modules, see "Secure the Dispenser to the Storage Cabinet (56" cabinet only)" on page 7.

If your cabinet is one module, see "Install the Storage or Dispenser Cabinet" on page 8



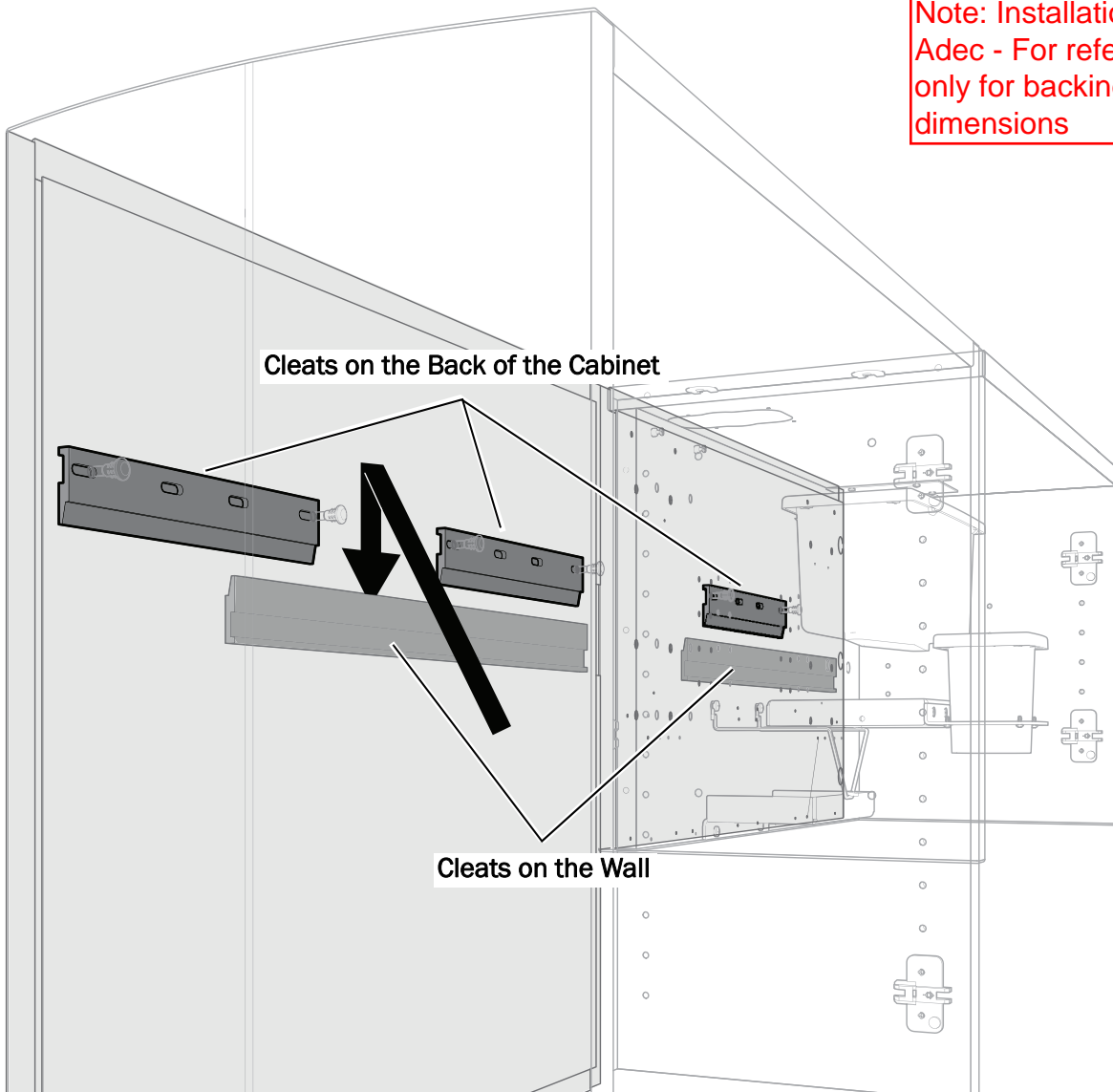


## Install the Storage or Dispenser Cabinet

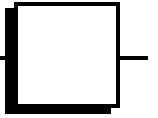


**TIP** To increase accessibility and improve handling, remove the doors.

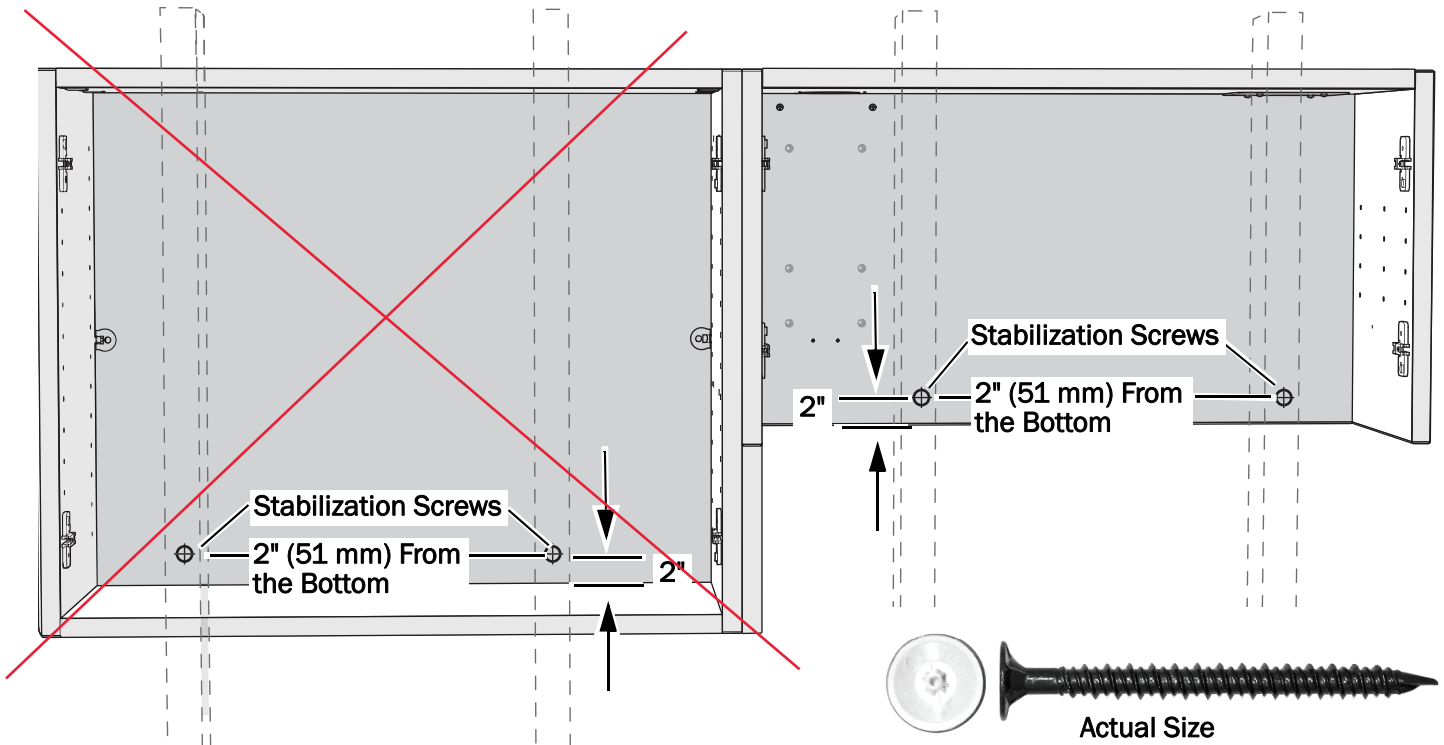
### Place the Cabinet on the Cleat



- 1** Lift the cabinet assembly and place it against the wall.
- 2** Slide the cabinet assembly down so the mounting cleats engage.



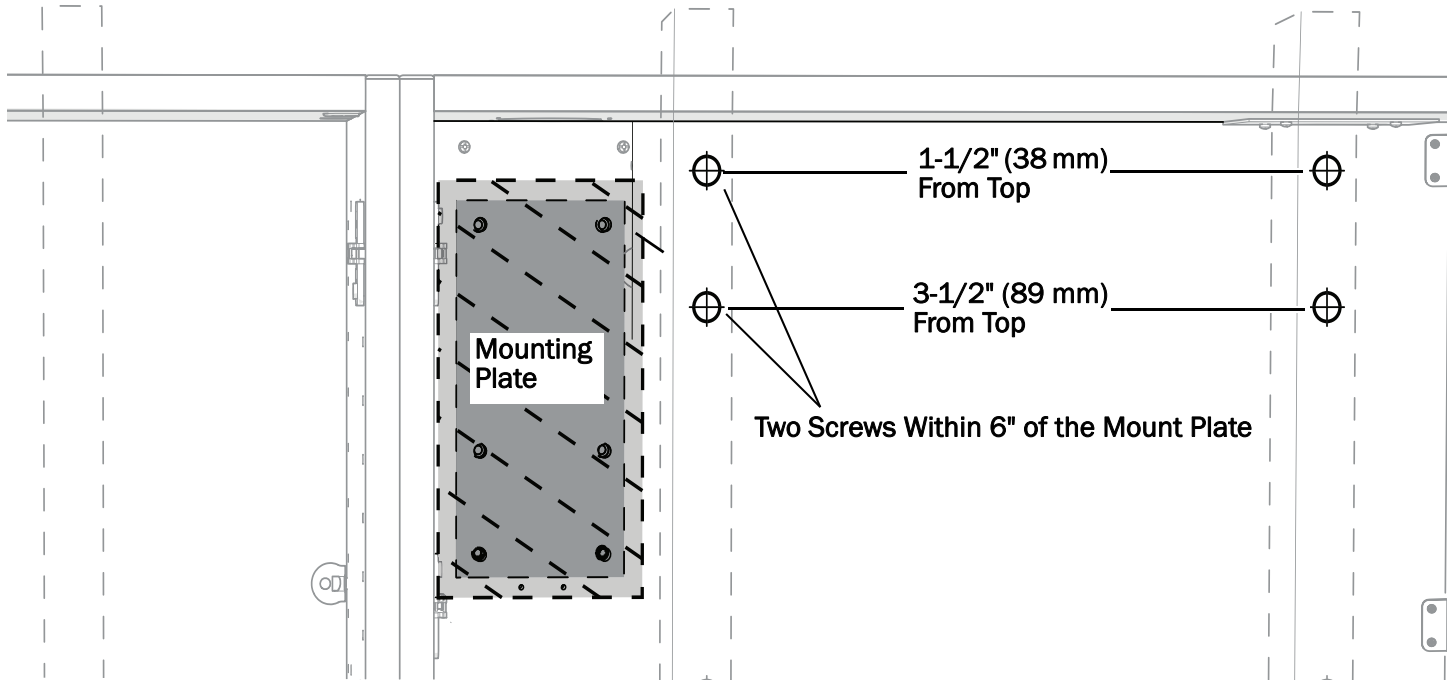
## Install the Stabilization Screws



- 1** Use a 3/16" drill bit to drill a hole through the cabinet back at the center of each stud 2" (51 mm) above the bottom of the cabinet. Drill through the cabinet back but not into the stud.
- 2** Install two stabilization screws per cabinet, where possible.
- 3** Install the cap covers on the screws.

Note: Installation by Adec - For reference only for backing and dimensions

## Install the Hex Fasteners



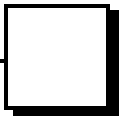
### Prepare the Holes for Wood Studs

- 1** Use a 3/16" drill bit to drill two holes into each stud in the locations shown in the image.
- 2** Use a 5/16" drill bit to increase the size of the holes in the cabinet only. This creates clearance for the hex fastener.
- 3** Continue with "Install the Hex Fasteners into the Holes" on page 11.

### Prepare the Holes for Metal Studs

- 1** Use a 1/2" drill bit to drill a hole through the cabinet into each stud in the locations shown in the image.
- 2** Install toggle anchors through the cabinet into the holes. For more information, see steps 1 through 5 under "Metal Studs and No Studs" on page 5.
- 3** Continue with "Install the Hex Fasteners into the Holes" on page 11.

Note: Installation by  
Adec - For reference  
only for backing and  
dimensions

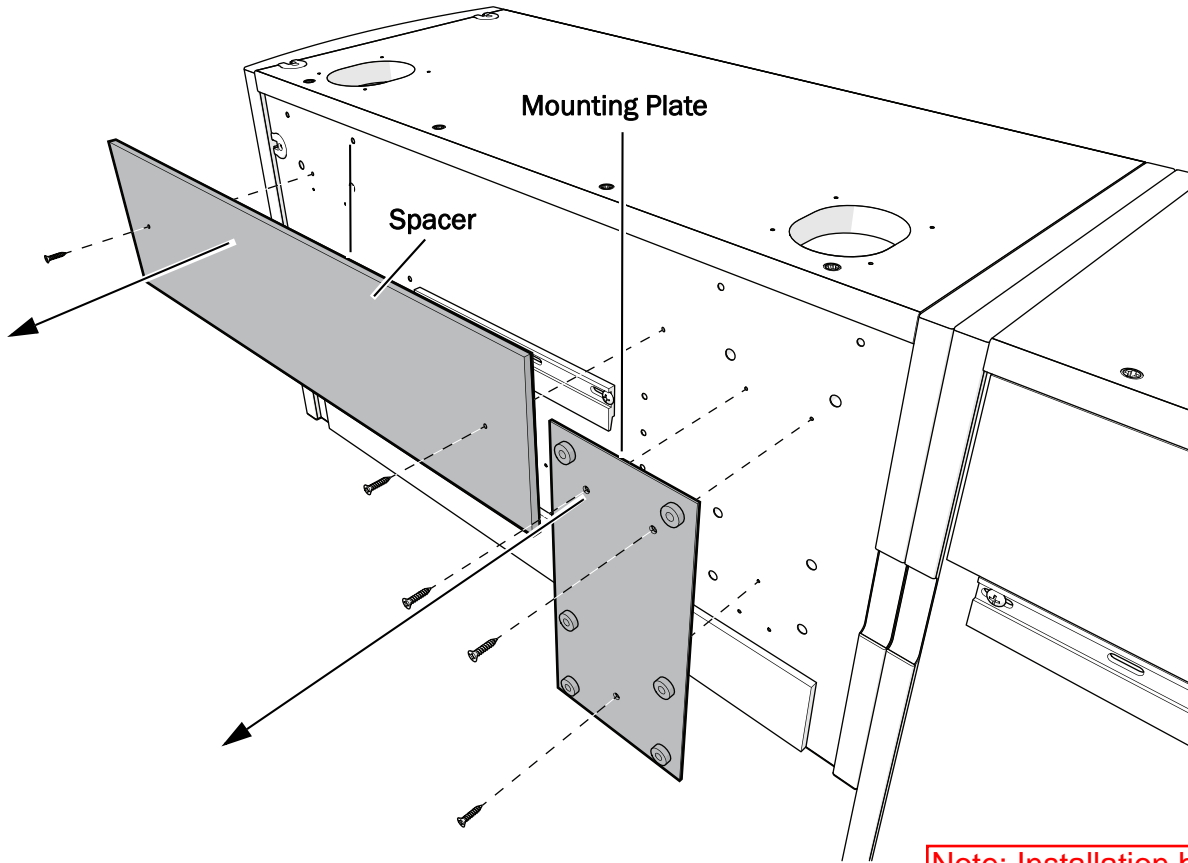


## Move the Mounting Plate and Dispensers (optional)

### Remove the Plate and Spacer from the Back of the Cabinet

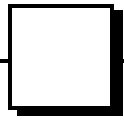


**NOTE** Follow the instructions in this section only if the mounting plate is in the incorrect position for the desired location of a light or monitor mount to be installed.

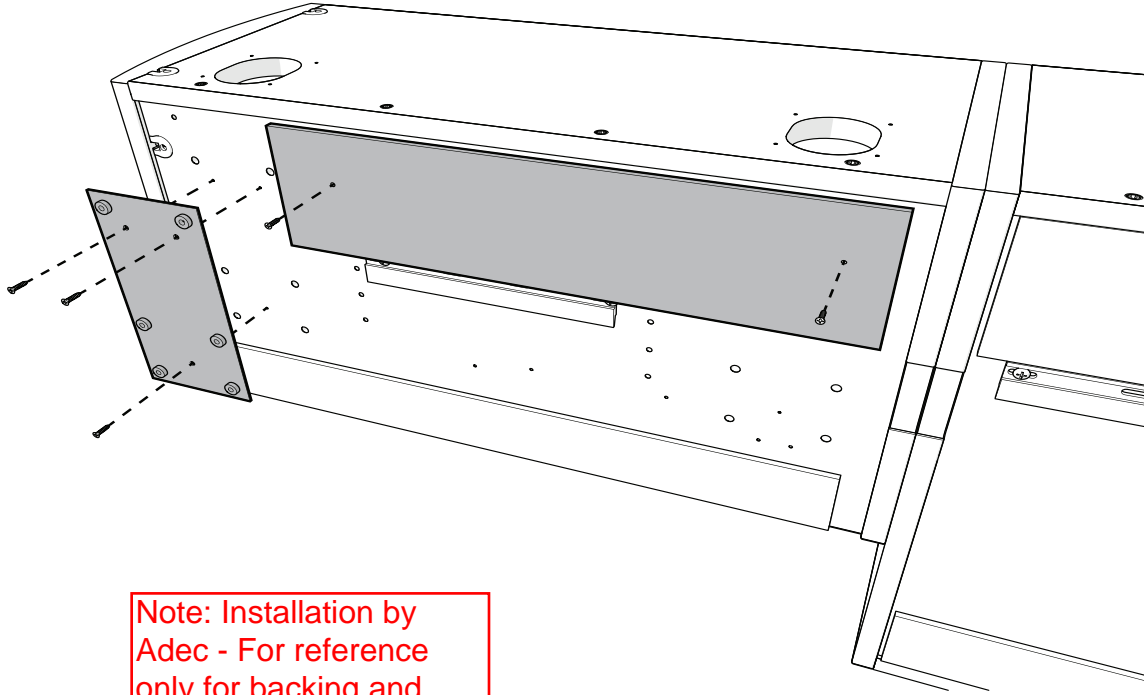


- 1** Remove the five screws to remove the mounting plate and spacer.

Note: Installation by Adec - For reference only for backing and dimensions

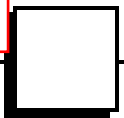


## Reinstall the Mounting Plate and Spacer

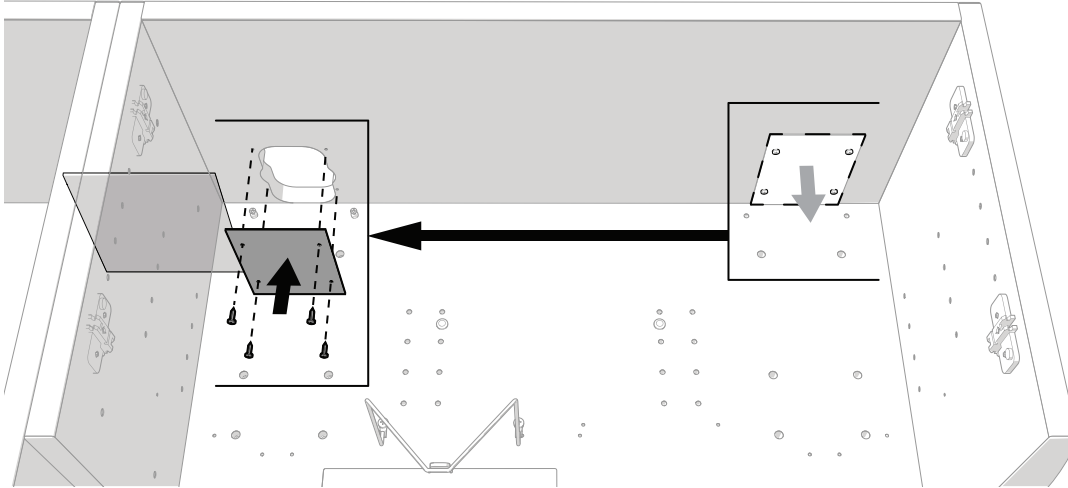


Note: Installation by Adec - For reference only for backing and dimensions

- 1 Reinstall the mounting plate and the spacer in the new location.

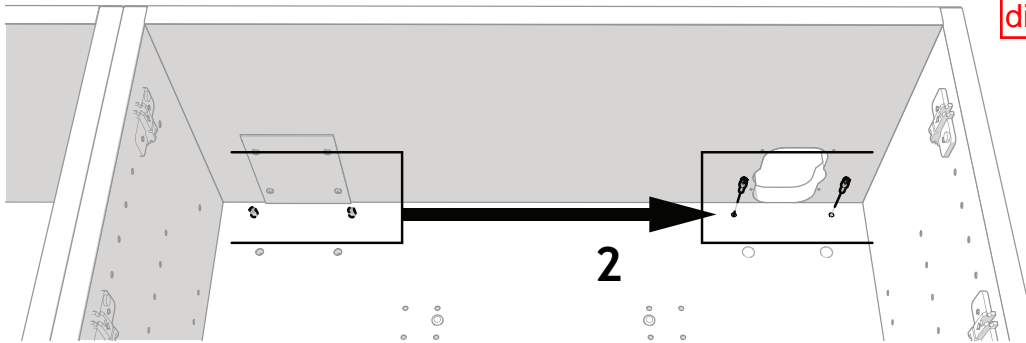


## Move the Post Hole Cover, Hole Caps, and Pins

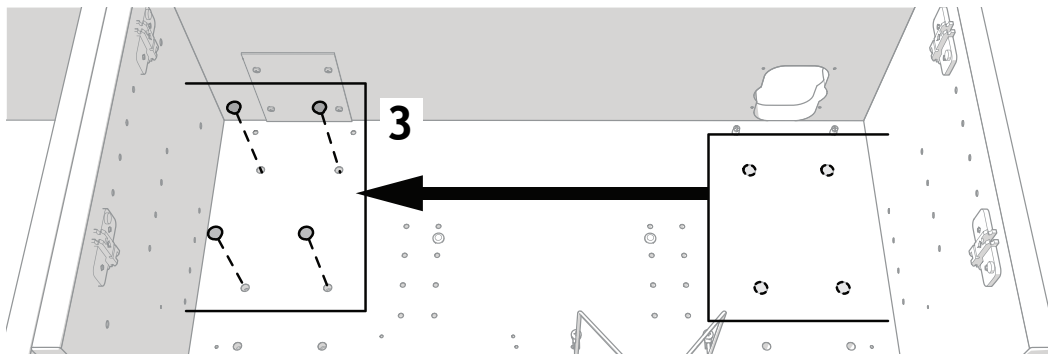


**1** Move the post hole cover to the new location.

Note: Installation by Adec - For reference only for backing and dimensions



**2** Move the pins to the new location.



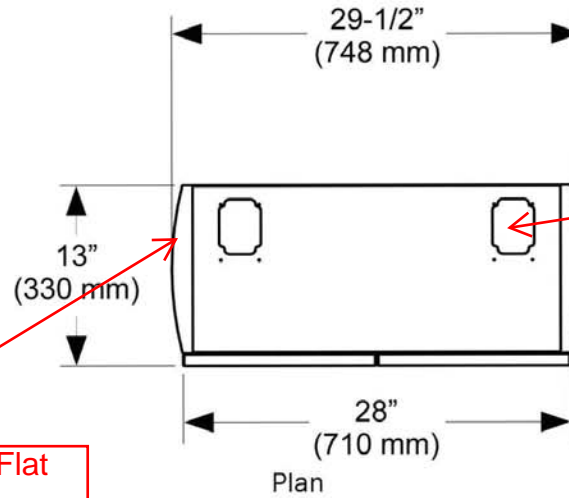
**3** Move the hole caps to the new location.

E117 11/11

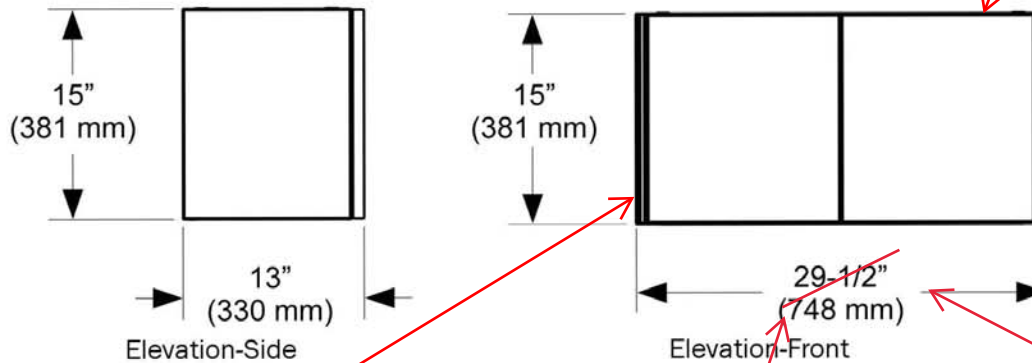
### A-dec Inspire 595 - ~~28"~~ Wall-Mounted Dispenser

Custom Cabinet - starting at standard 28" wide, but reduced to approximately 24" to fit between existing building column enclosure and existing window jamb - verify actual in field at Rooms # 128 and #132

Custom cabinet with Flat End on Left side



Dental Light location preferred on right end



Custom cabinet with Flat End on Left side

Approximately 25" wide maximum

Verify dimension between flat end and existing window jamb on right end



# A-dec Inspire™ 595 Wall-Mounted Cabinet

## INSTALLATION GUIDE

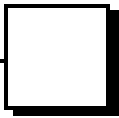


A-dec 595 ~~56" Storage and~~ Dispenser Wall-Mounted Cabinet

### Recommended Tools

- Four-foot level
- Drill with 3/16", 1/4", 5/16", and 1/2" bits
- Rubber mallet
- Power screwdriver with Phillips head bit
- Hex key set
- Phillips head screwdriver
- #2 Pozidriv® screwdriver
- Awl





## Install the Cleat

Follow the installation instructions for your wall's configuration.

**Wood Studs** ..... **This page**  
**Metals Studs and No Studs** ..... **5**

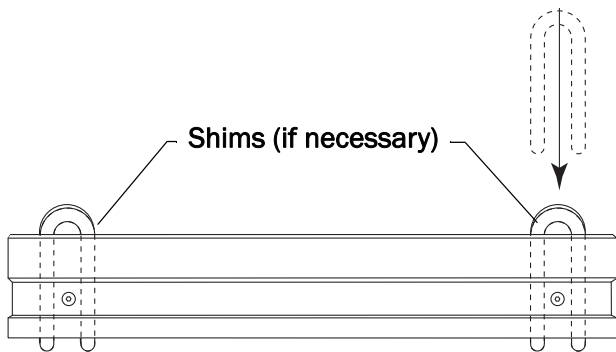
Note: Installation by Adec - For reference only for backing and dimensions

### Wood Studs

These instructions are for anchoring to two wood studs. If you are anchoring to one wood stud and one toggle anchor, follow these instructions for the anchoring to the wood stud and the instructions under "Metal Studs and No Studs" on page 5 for anchoring with the toggle anchor.



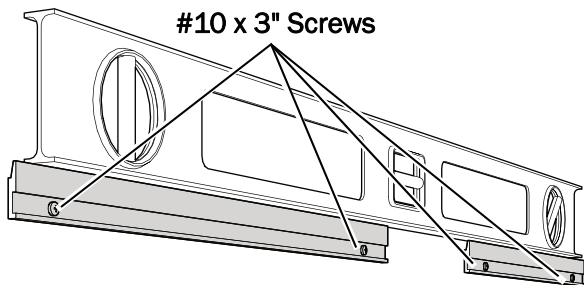
**NOTE** Shims are provided to prevent the cleat from distorting when installed against an uneven wall surface. Failure to prevent the cleat from distortion may make installing the cabinet more difficult.



- 1** Install #10 x 3" screws through the cleat and into the stud(s) at the proper locations. Do not fully tighten the screws.
- 2** If necessary, use the "U" shaped shims to ensure the cleat does not distort while installing the screws.



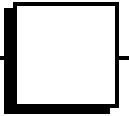
Actual Size



- 3** Level the cleat. If you are installing two cleats, ensure they are level with each other.
- 4** Tighten the screws.

**Next Step** If your cabinet is two or more modules, see "Secure the Dispenser to the Storage Cabinet (56" cabinet only)" on page 7.

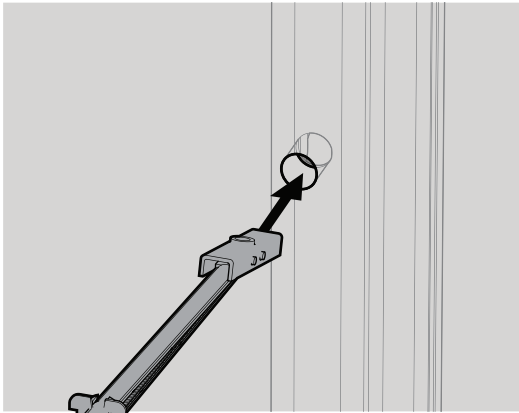
If your cabinet is one module, see "Install the Storage or Dispenser Cabinet" on page 8.



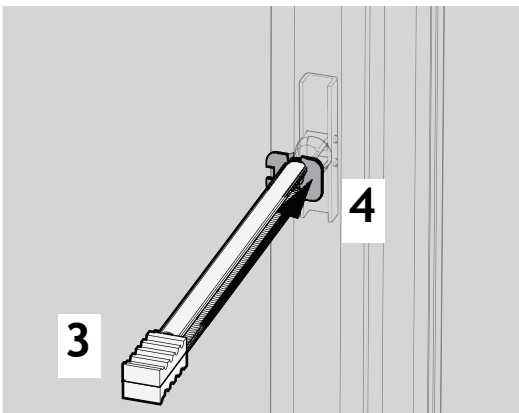
## Metal Studs and No Studs

### Install the Toggle Anchors

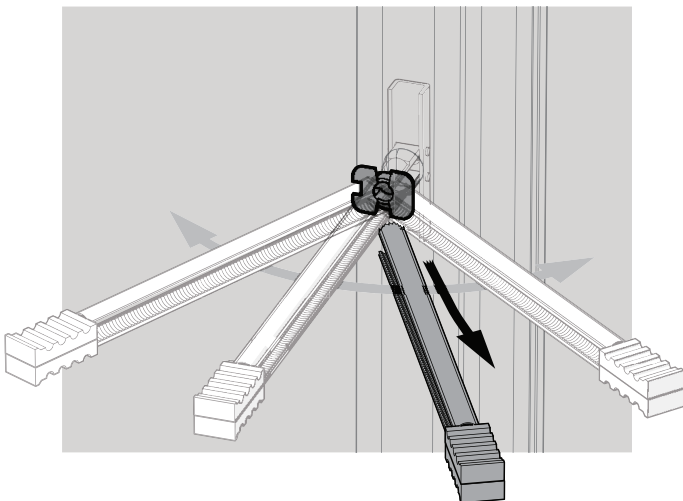
Note: Installation by Adec - For reference only for backing and dimensions



- 1** Hold the metal catch of the toggle anchor flat against the plastic strap.
- 2** Push the catch fully through the holes in the wall and stud.



- 3** Pull the handle of the toggle anchor straight out.
- 4** Slide the plastic cap down the plastic strap until the cap is flush with the wall.

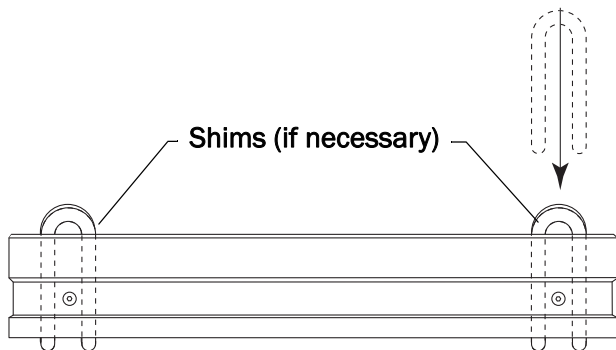


- 5** Rock the strap side to side, snapping it off at the wall.

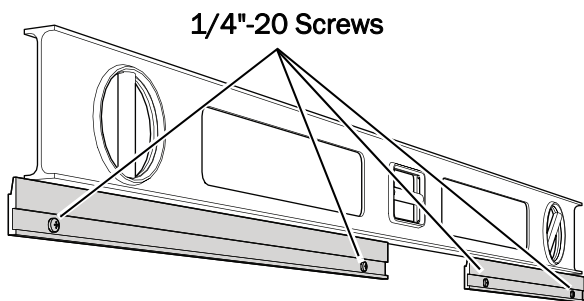
## Secure the Cleat to the Wall



**NOTE** Shims are provided to prevent the cleat from distorting when installed against an uneven wall surface. Failure to prevent the cleat from distortion may make installing the cabinet more difficult.



Actual Size



1/4"-20 Screws

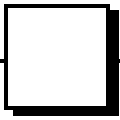
- 1** Install the 1/4"-20 screws through the cleat into the toggle anchors at the proper locations. Do not fully tighten the screws.
- 2** If necessary, use the "U" shaped shims to ensure the cleat does not distort while installing the rest of the screws.

Note: Installation by Adec - For reference only for backing and dimensions

- 3** Level the cleat. If you are installing two cleats, ensure they are level with each other.
- 4** Tighten the screws.

**Next Step** If your cabinet is two or more modules, see "Secure the Dispenser to the Storage Cabinet (56" cabinet only)" on page 7.

If your cabinet is one module, see "Install the Storage or Dispenser Cabinet" on page 8



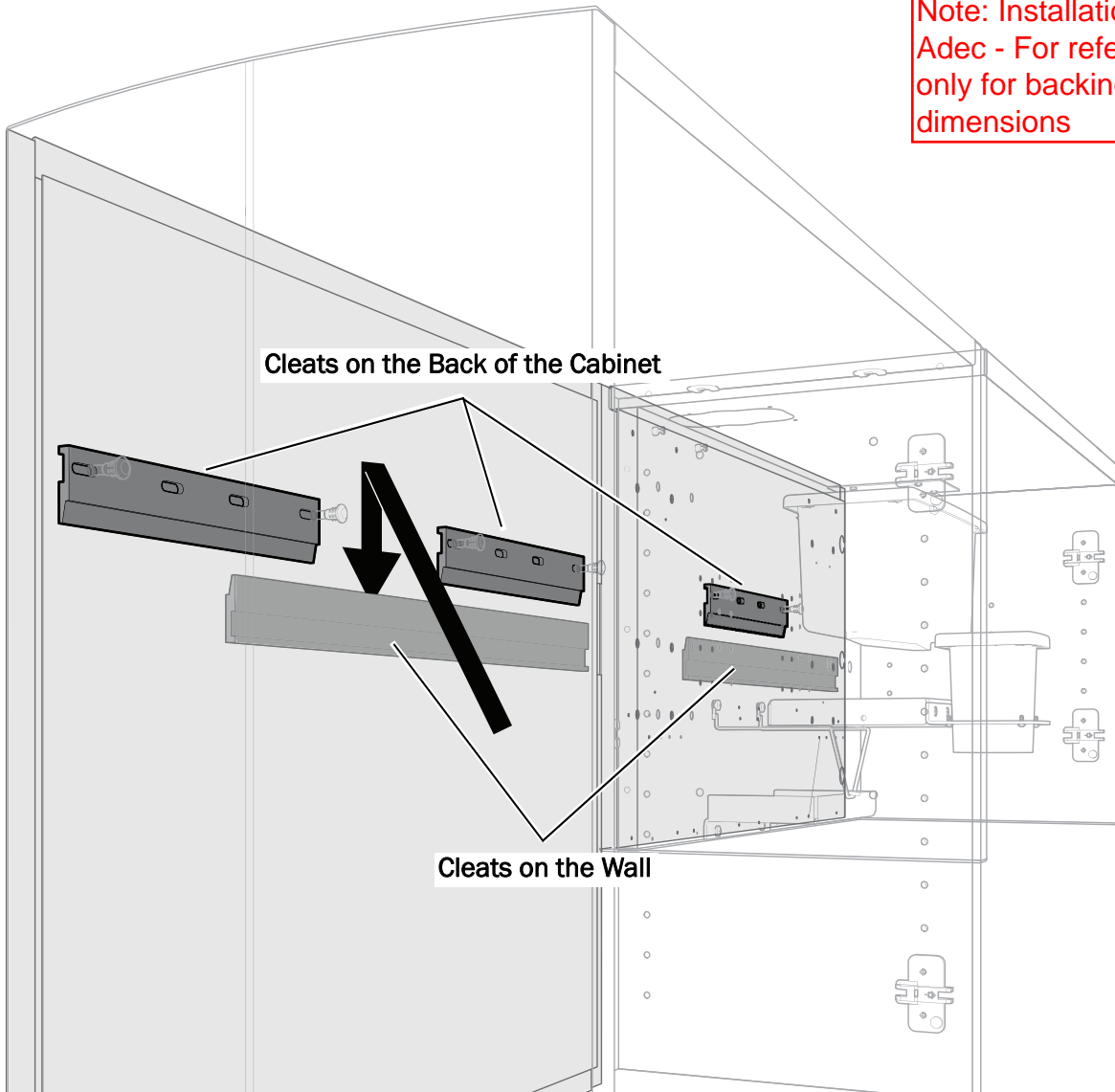
## Install the Storage or Dispenser Cabinet



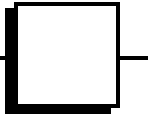
**TIP** To increase accessibility and improve handling, remove the doors.

### Place the Cabinet on the Cleat

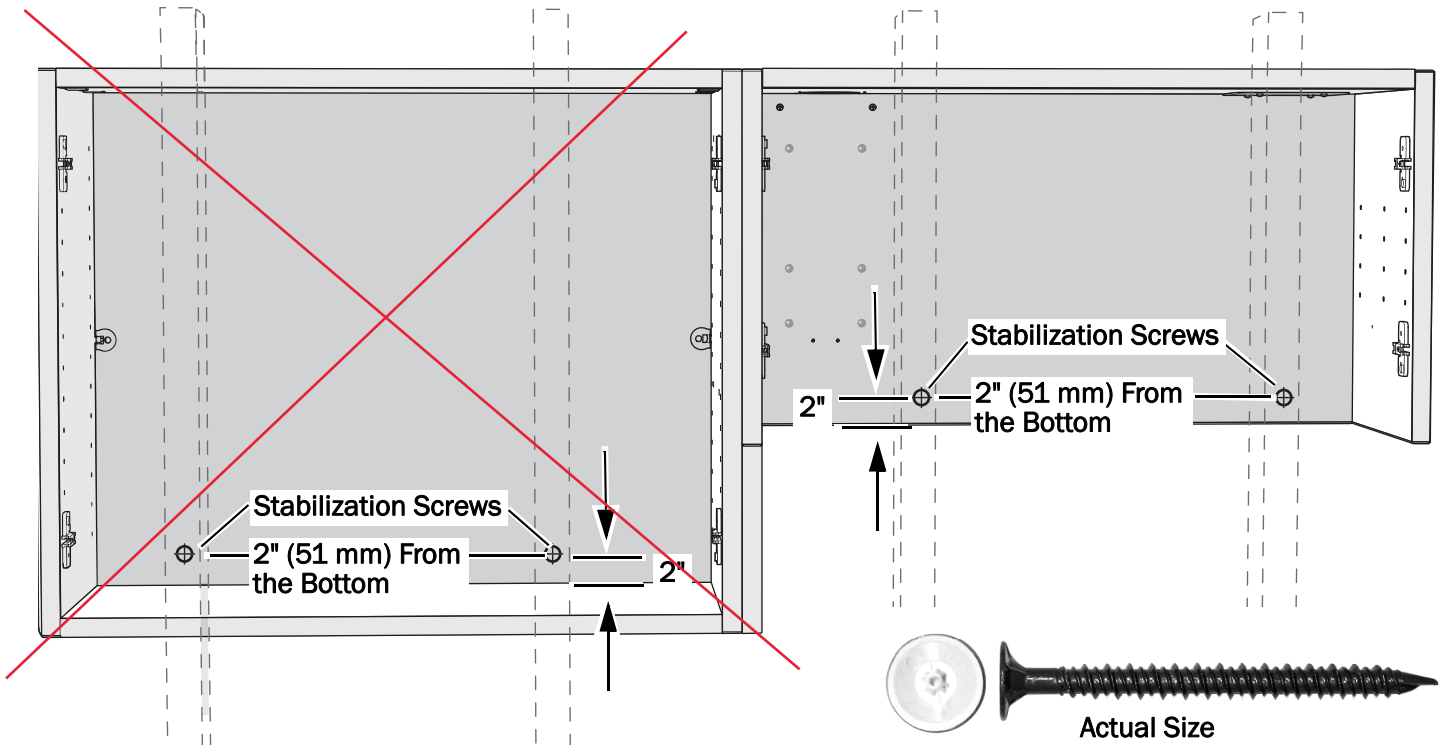
Note: Installation by Adec - For reference only for backing and dimensions



- 1** Lift the cabinet assembly and place it against the wall.
- 2** Slide the cabinet assembly down so the mounting cleats engage.



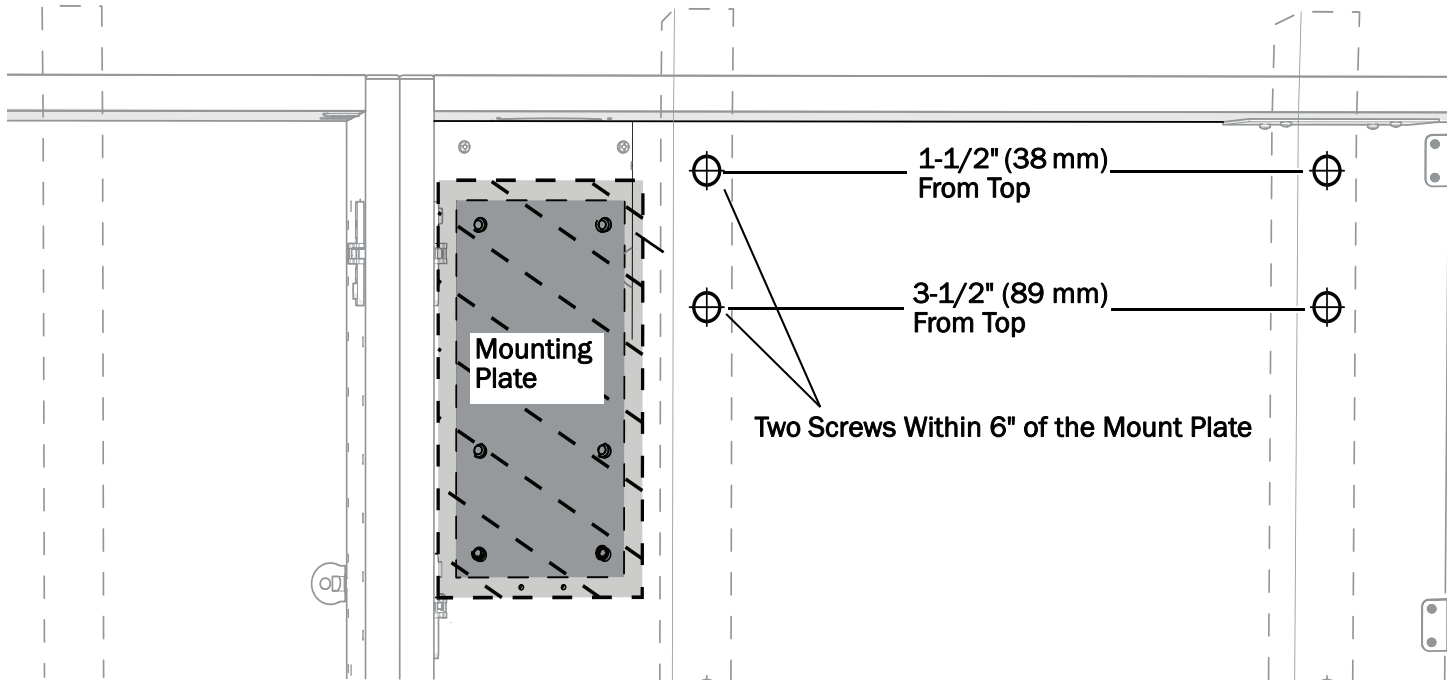
## Install the Stabilization Screws



- 1** Use a 3/16" drill bit to drill a hole through the cabinet back at the center of each stud 2" (51 mm) above the bottom of the cabinet. Drill through the cabinet back but not into the stud.
- 2** Install two stabilization screws per cabinet, where possible.
- 3** Install the cap covers on the screws.

Note: Installation by Adec - For reference only for backing and dimensions

## Install the Hex Fasteners



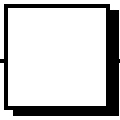
### Prepare the Holes for Wood Studs

- 1** Use a 3/16" drill bit to drill two holes into each stud in the locations shown in the image.
- 2** Use a 5/16" drill bit to increase the size of the holes in the cabinet only. This creates clearance for the hex fastener.
- 3** Continue with "Install the Hex Fasteners into the Holes" on page 11.

### Prepare the Holes for Metal Studs

- 1** Use a 1/2" drill bit to drill a hole through the cabinet into each stud in the locations shown in the image.
- 2** Install toggle anchors through the cabinet into the holes. For more information, see steps 1 through 5 under "Metal Studs and No Studs" on page 5.
- 3** Continue with "Install the Hex Fasteners into the Holes" on page 11.

Note: Installation by Adec - For reference only for backing and dimensions

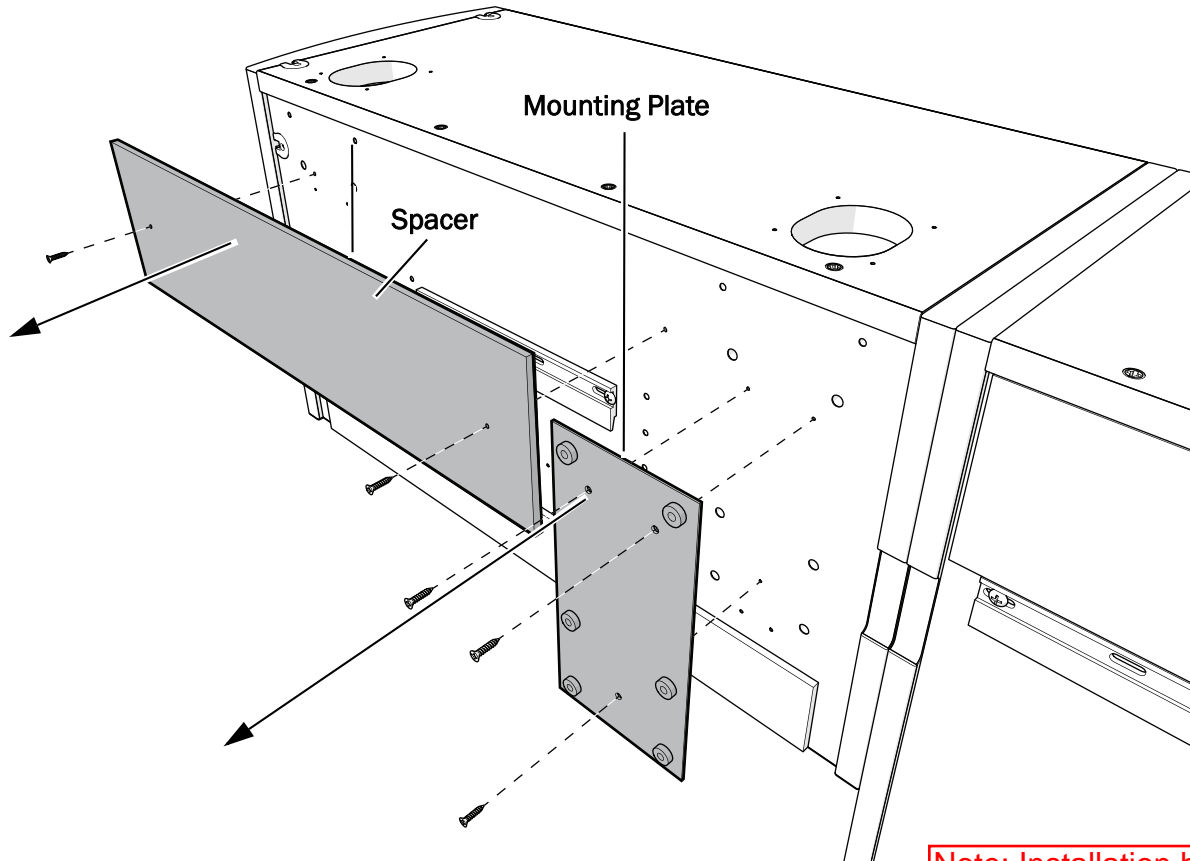


## Move the Mounting Plate and Dispensers (optional)

### Remove the Plate and Spacer from the Back of the Cabinet

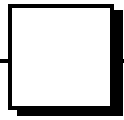


**NOTE** Follow the instructions in this section only if the mounting plate is in the incorrect position for the desired location of a light or monitor mount to be installed.

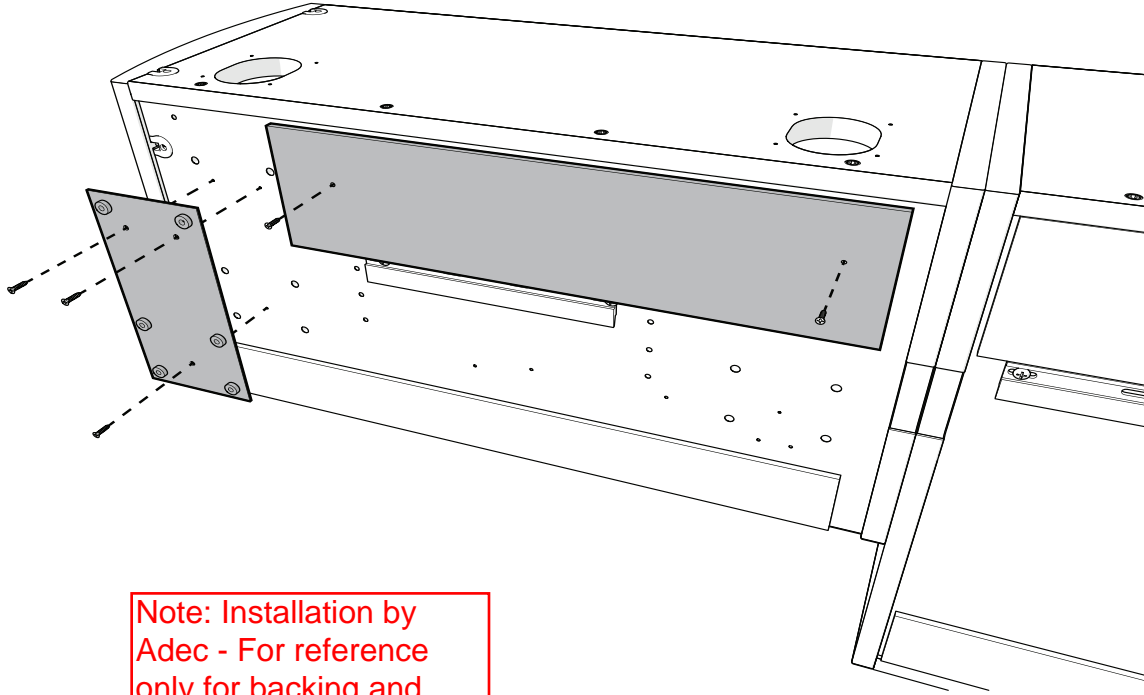


- 1** Remove the five screws to remove the mounting plate and spacer.

Note: Installation by Adec - For reference only for backing and dimensions



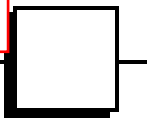
## Reinstall the Mounting Plate and Spacer



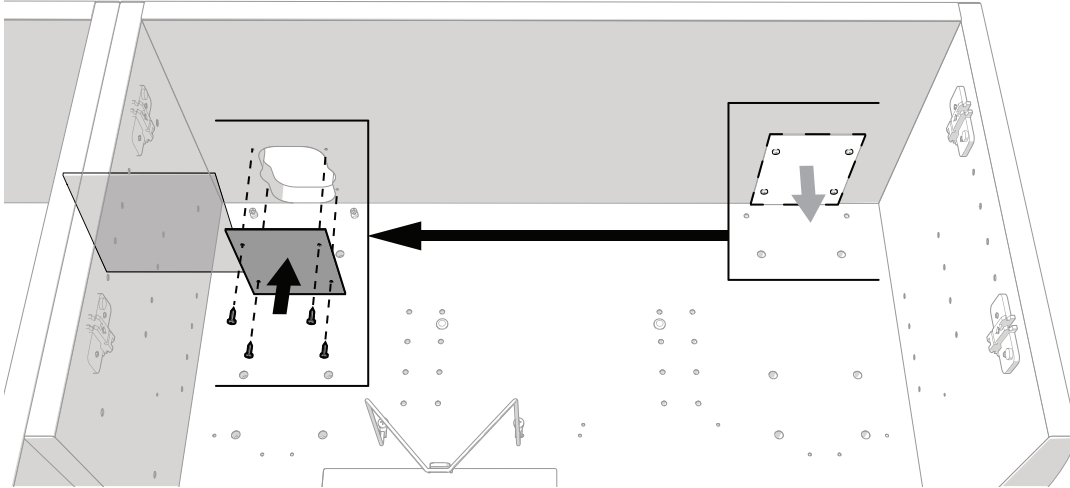
Note: Installation by Adec - For reference only for backing and dimensions

- 1 Reinstall the mounting plate and the spacer in the new location.



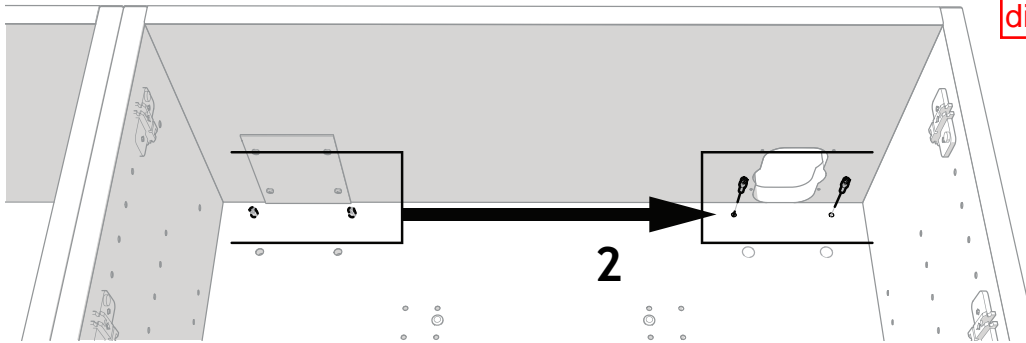


### Move the Post Hole Cover, Hole Caps, and Pins

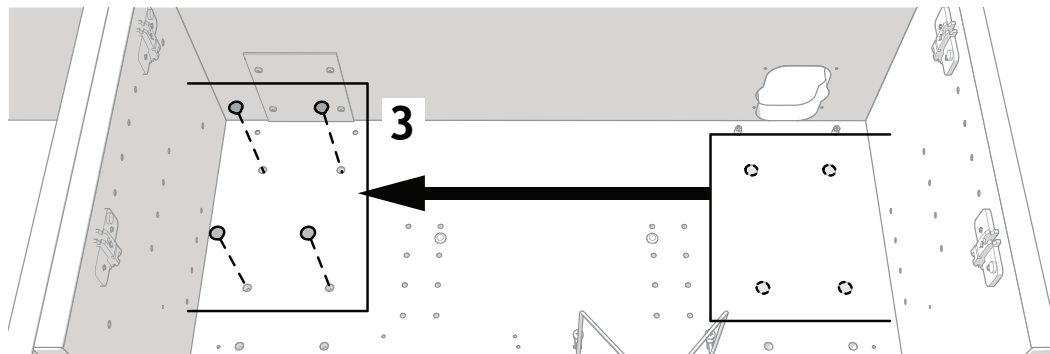


**1** Move the post hole cover to the new location.

Note: Installation by Adec - For reference only for backing and dimensions



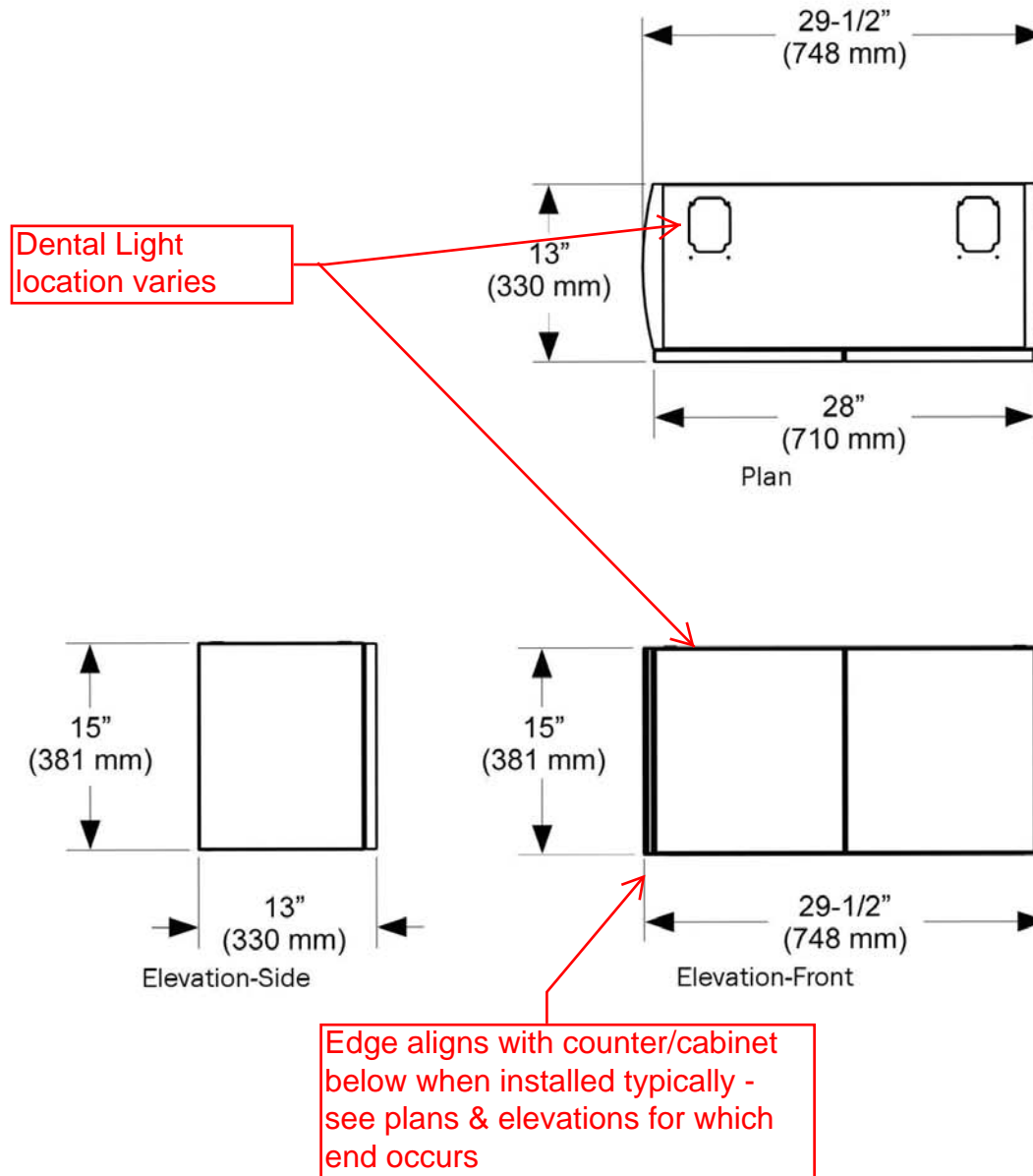
**2** Move the pins to the new location.



**3** Move the hole caps to the new location.

E118 11/11

### A-dec Inspire 595 - 28" Wall-Mounted Dispenser





# A-dec Inspire™ 595 Wall-Mounted Cabinet

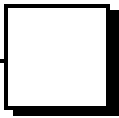
## INSTALLATION GUIDE



~~A-dec 595 56" Storage and Dispenser Wall-Mounted Cabinet~~

### Recommended Tools

- Four-foot level
- Drill with 3/16", 1/4", 5/16", and 1/2" bits
- Rubber mallet
- Power screwdriver with Phillips head bit
- Hex key set
- Phillips head screwdriver
- #2 Pozidriv® screwdriver
- Awl



## Install the Cleat

Follow the installation instructions for your wall's configuration.

**Wood Studs** ..... **This page**  
**Metals Studs and No Studs** ..... **5**

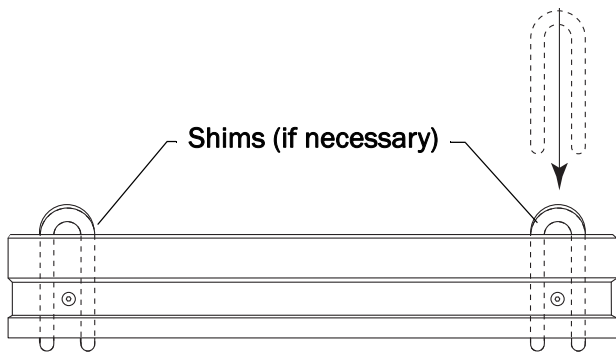
**Note: Installation by Adec - For reference only for backing and dimensions**

### Wood Studs

These instructions are for anchoring to two wood studs. If you are anchoring to one wood stud and one toggle anchor, follow these instructions for the anchoring to the wood stud and the instructions under "Metal Studs and No Studs" on page 5 for anchoring with the toggle anchor.



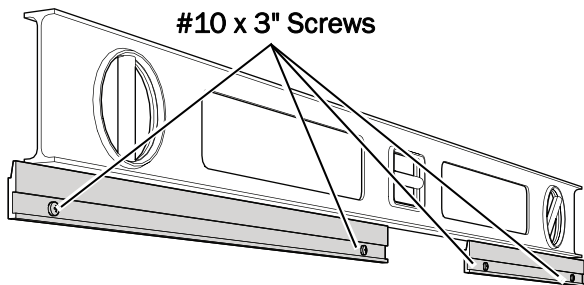
**NOTE** Shims are provided to prevent the cleat from distorting when installed against an uneven wall surface. Failure to prevent the cleat from distortion may make installing the cabinet more difficult.



- 1** Install #10 x 3" screws through the cleat and into the stud(s) at the proper locations. Do not fully tighten the screws.
- 2** If necessary, use the "U" shaped shims to ensure the cleat does not distort while installing the screws.



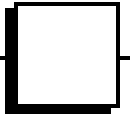
Actual Size



- 3** Level the cleat. If you are installing two cleats, ensure they are level with each other.
- 4** Tighten the screws.

**Next Step** If your cabinet is two or more modules, see "Secure the Dispenser to the Storage Cabinet (56" cabinet only)" on page 7.

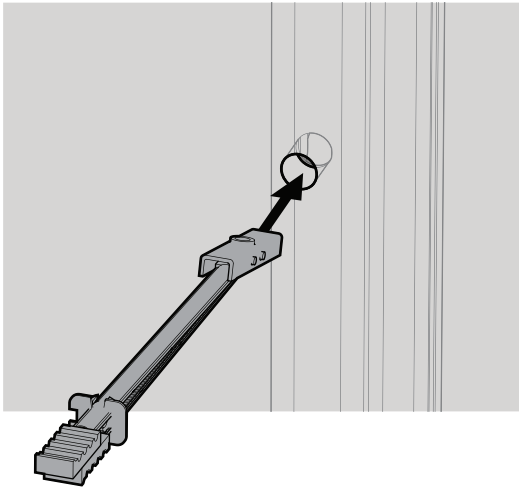
If your cabinet is one module, see "Install the Storage or Dispenser Cabinet" on page 8.



## Metal Studs and No Studs

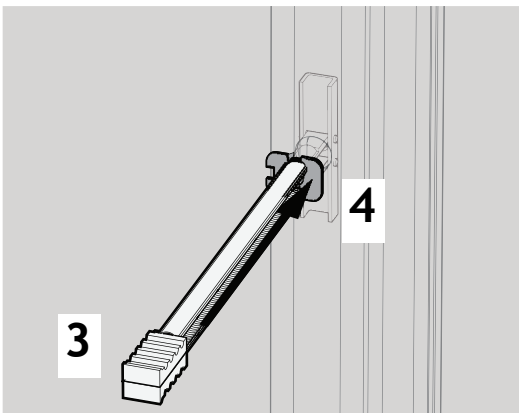
### Install the Toggle Anchors

Note: Installation by Adec - For reference only for backing and dimensions



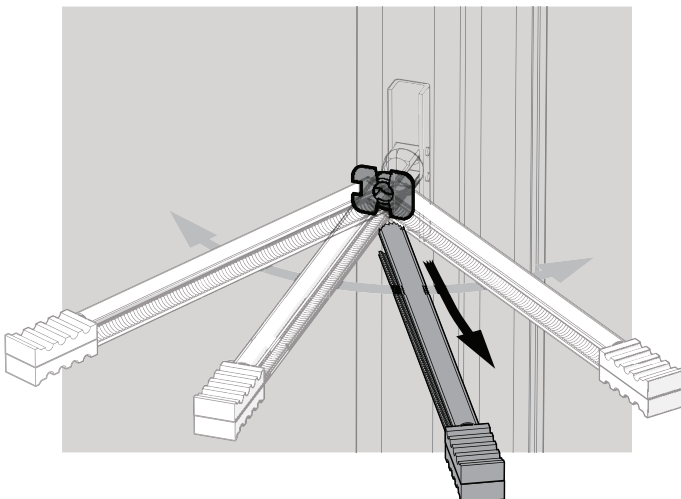
**1** Hold the metal catch of the toggle anchor flat against the plastic strap.

**2** Push the catch fully through the holes in the wall and stud.

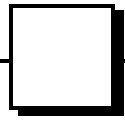


**3** Pull the handle of the toggle anchor straight out.

**4** Slide the plastic cap down the plastic strap until the cap is flush with the wall.



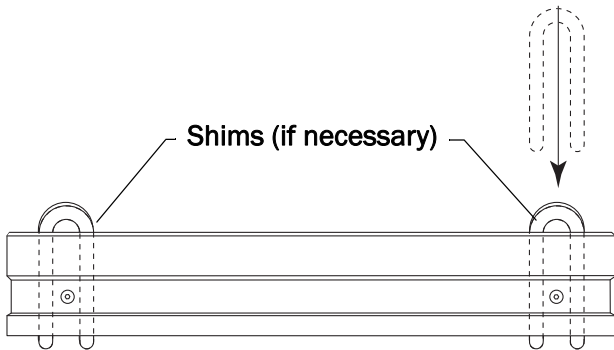
**5** Rock the strap side to side, snapping it off at the wall.



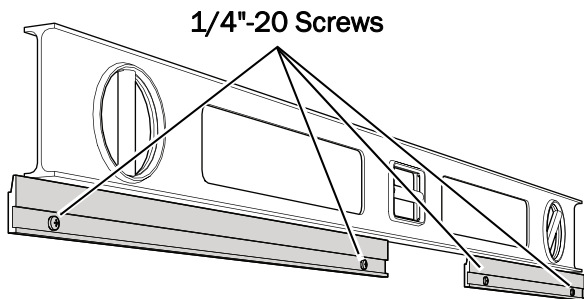
## Secure the Cleat to the Wall



**NOTE** Shims are provided to prevent the cleat from distorting when installed against an uneven wall surface. Failure to prevent the cleat from distortion may make installing the cabinet more difficult.



Actual Size



**1** Install the 1/4"-20 screws through the cleat into the toggle anchors at the proper locations. Do not fully tighten the screws.

**2** If necessary, use the "U" shaped shims to ensure the cleat does not distort while installing the rest of the screws.

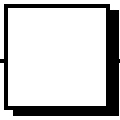
Note: Installation by Adec - For reference only for backing and dimensions

**3** Level the cleat. If you are installing two cleats, ensure they are level with each other.

**4** Tighten the screws.

**Next Step** If your cabinet is two or more modules, see "Secure the Dispenser to the Storage Cabinet (56" cabinet only)" on page 7.

If your cabinet is one module, see "Install the Storage or Dispenser Cabinet" on page 8



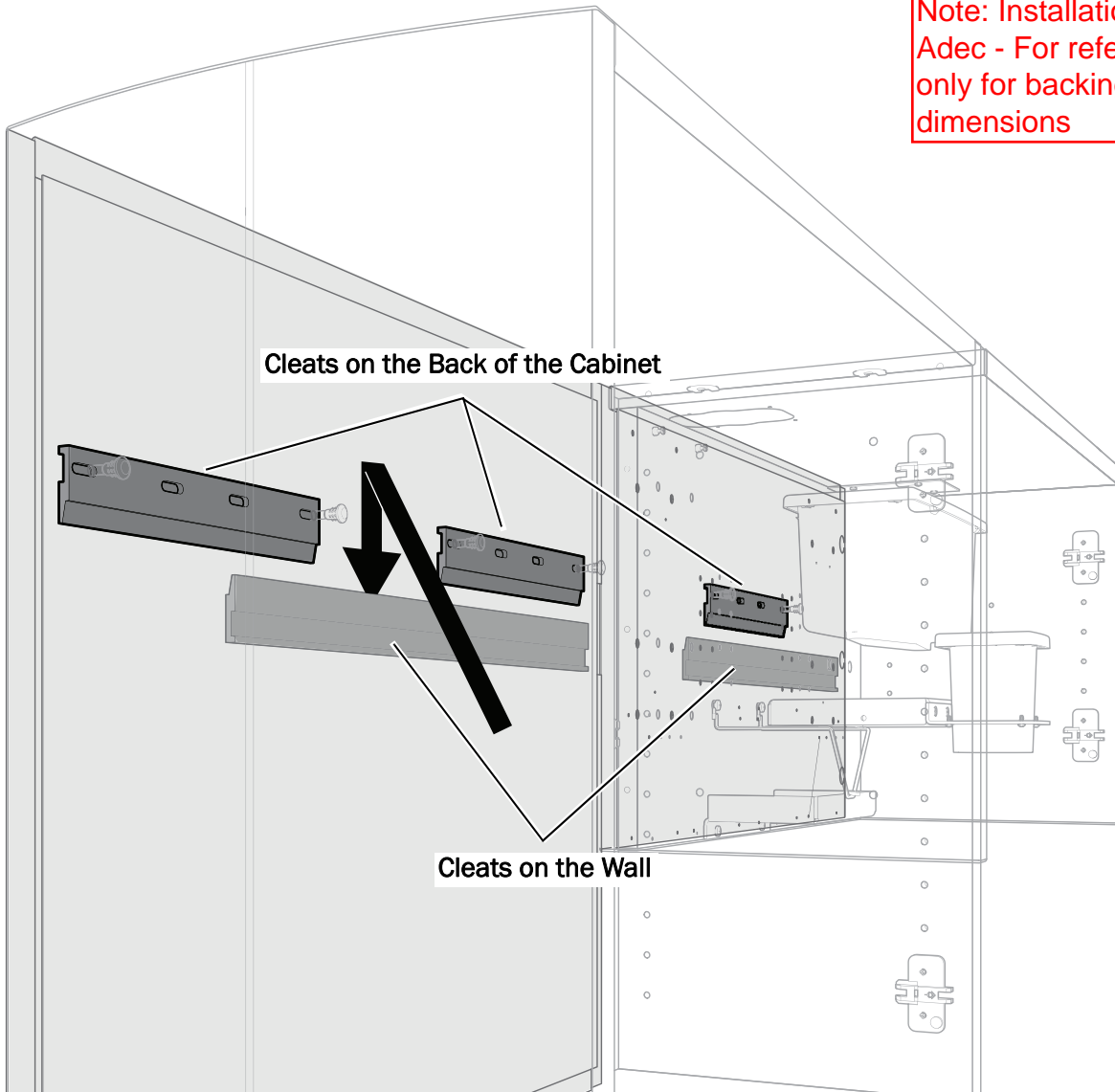
## Install the Storage or Dispenser Cabinet



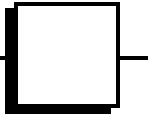
**TIP** To increase accessibility and improve handling, remove the doors.

### Place the Cabinet on the Cleat

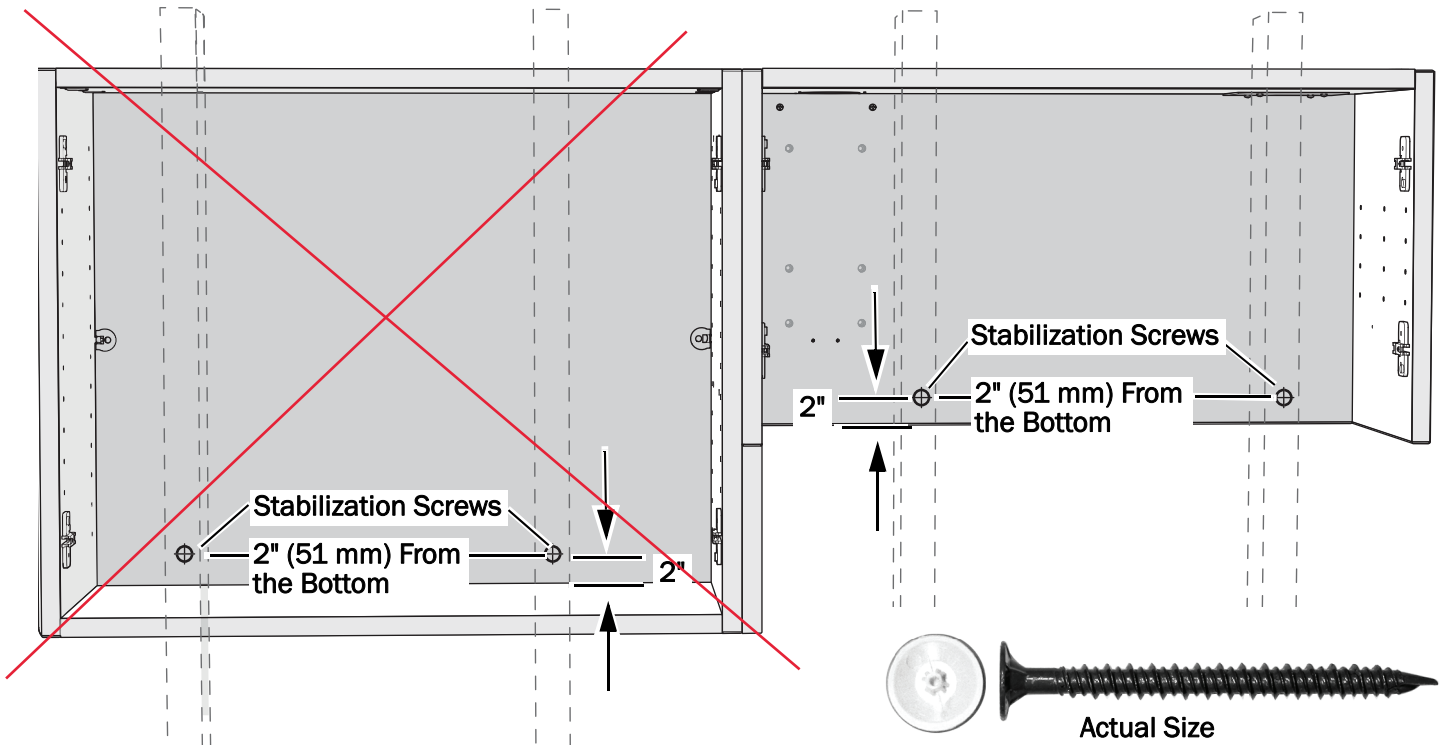
Note: Installation by Adec - For reference only for backing and dimensions



- 1** Lift the cabinet assembly and place it against the wall.
- 2** Slide the cabinet assembly down so the mounting cleats engage.



## Install the Stabilization Screws

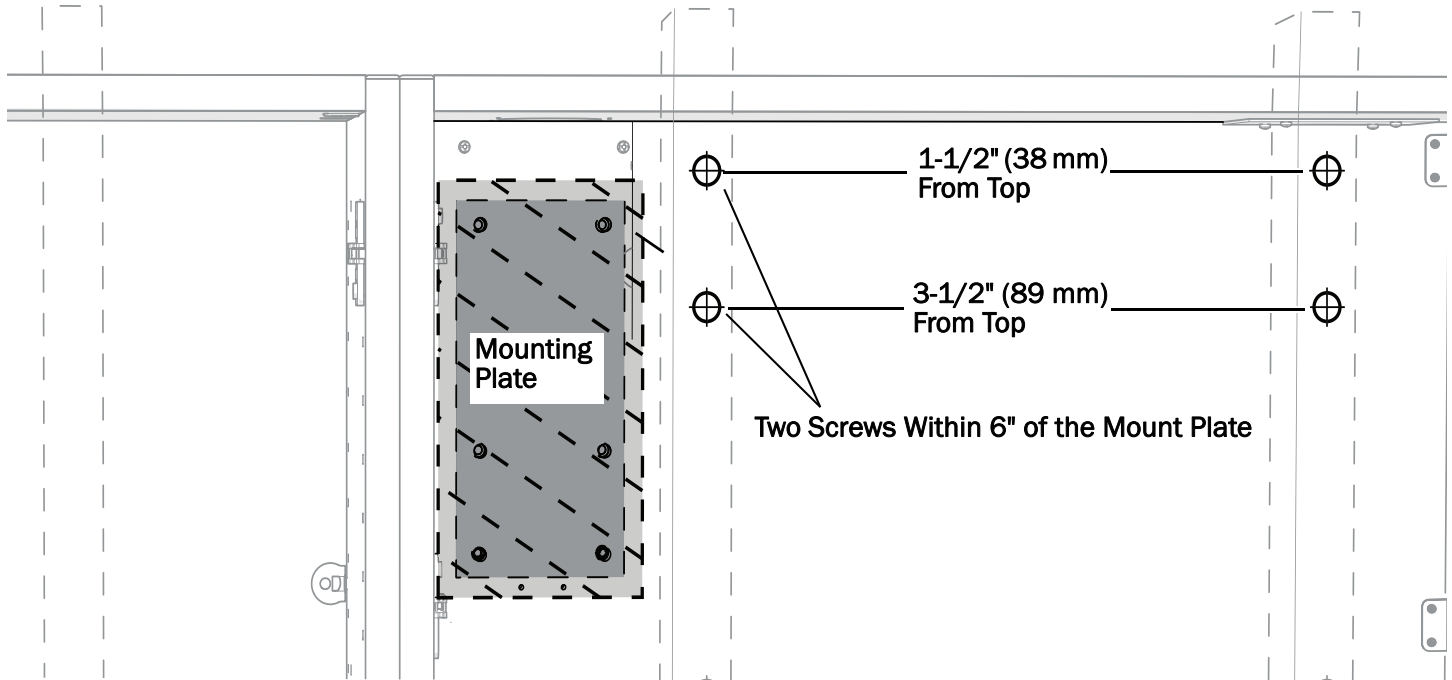


- 1** Use a 3/16" drill bit to drill a hole through the cabinet back at the center of each stud 2" (51 mm) above the bottom of the cabinet. Drill through the cabinet back but not into the stud.
- 2** Install two stabilization screws per cabinet, where possible.
- 3** Install the cap covers on the screws.

Note: Installation by  
Adec - For reference  
only for backing and  
dimensions



## Install the Hex Fasteners



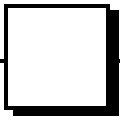
### Prepare the Holes for Wood Studs

- 1** Use a 3/16" drill bit to drill two holes into each stud in the locations shown in the image.
- 2** Use a 5/16" drill bit to increase the size of the holes in the cabinet only. This creates clearance for the hex fastener.
- 3** Continue with "Install the Hex Fasteners into the Holes" on page 11.

### Prepare the Holes for Metal Studs

- 1** Use a 1/2" drill bit to drill a hole through the cabinet into each stud in the locations shown in the image.
- 2** Install toggle anchors through the cabinet into the holes. For more information, see steps 1 through 5 under "Metal Studs and No Studs" on page 5.
- 3** Continue with "Install the Hex Fasteners into the Holes" on page 11.

Note: Installation by Adec - For reference only for backing and dimensions

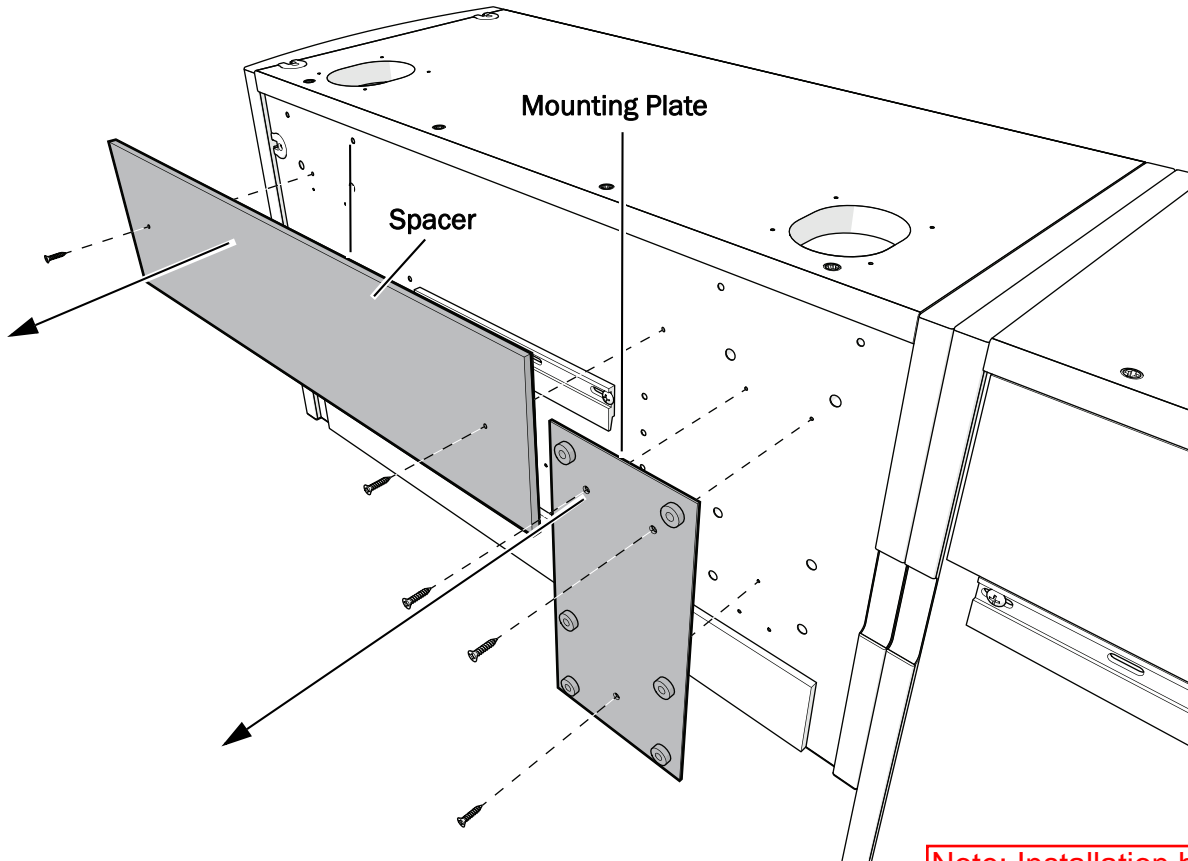


## Move the Mounting Plate and Dispensers (optional)

### Remove the Plate and Spacer from the Back of the Cabinet

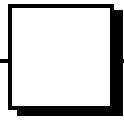


**NOTE** Follow the instructions in this section only if the mounting plate is in the incorrect position for the desired location of a light or monitor mount to be installed.

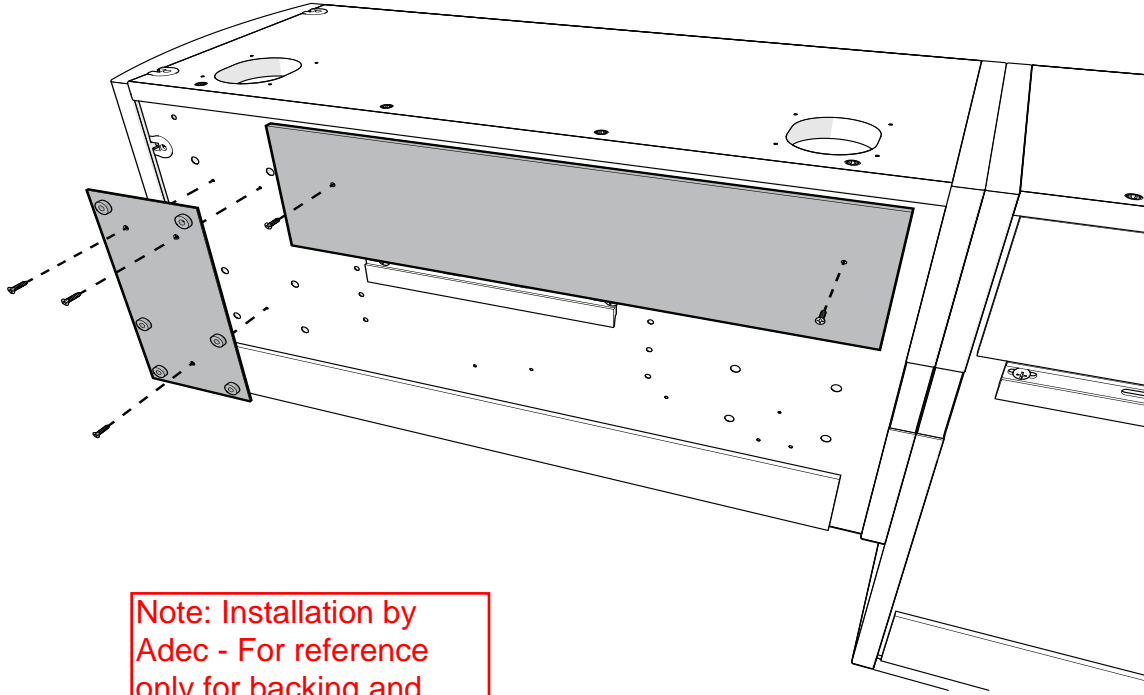


- 1** Remove the five screws to remove the mounting plate and spacer.

Note: Installation by Adec - For reference only for backing and dimensions

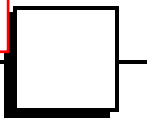


## Reinstall the Mounting Plate and Spacer

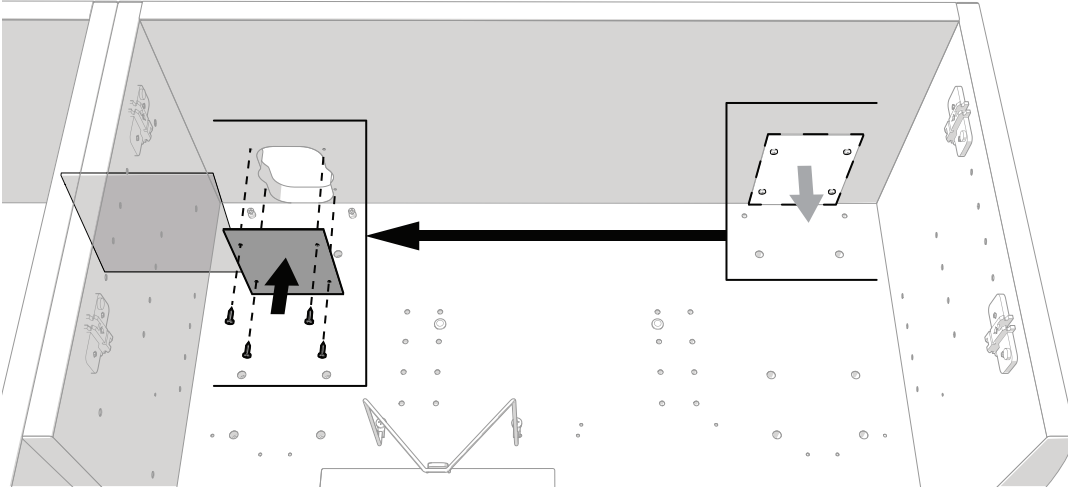


Note: Installation by Adec - For reference only for backing and dimensions

- 1 Reinstall the mounting plate and the spacer in the new location.

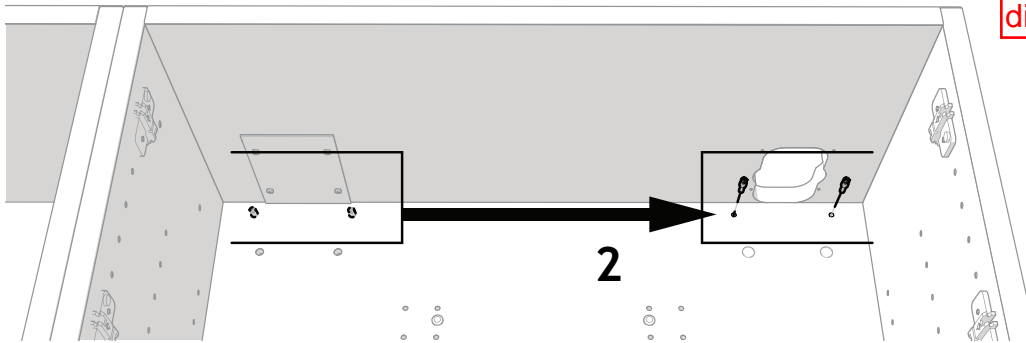


## Move the Post Hole Cover, Hole Caps, and Pins

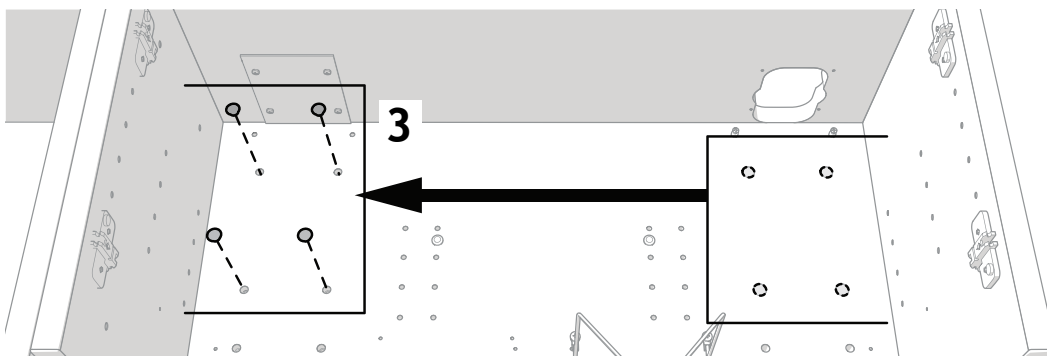


**1** Move the post hole cover to the new location.

Note: Installation by Adec - For reference only for backing and dimensions



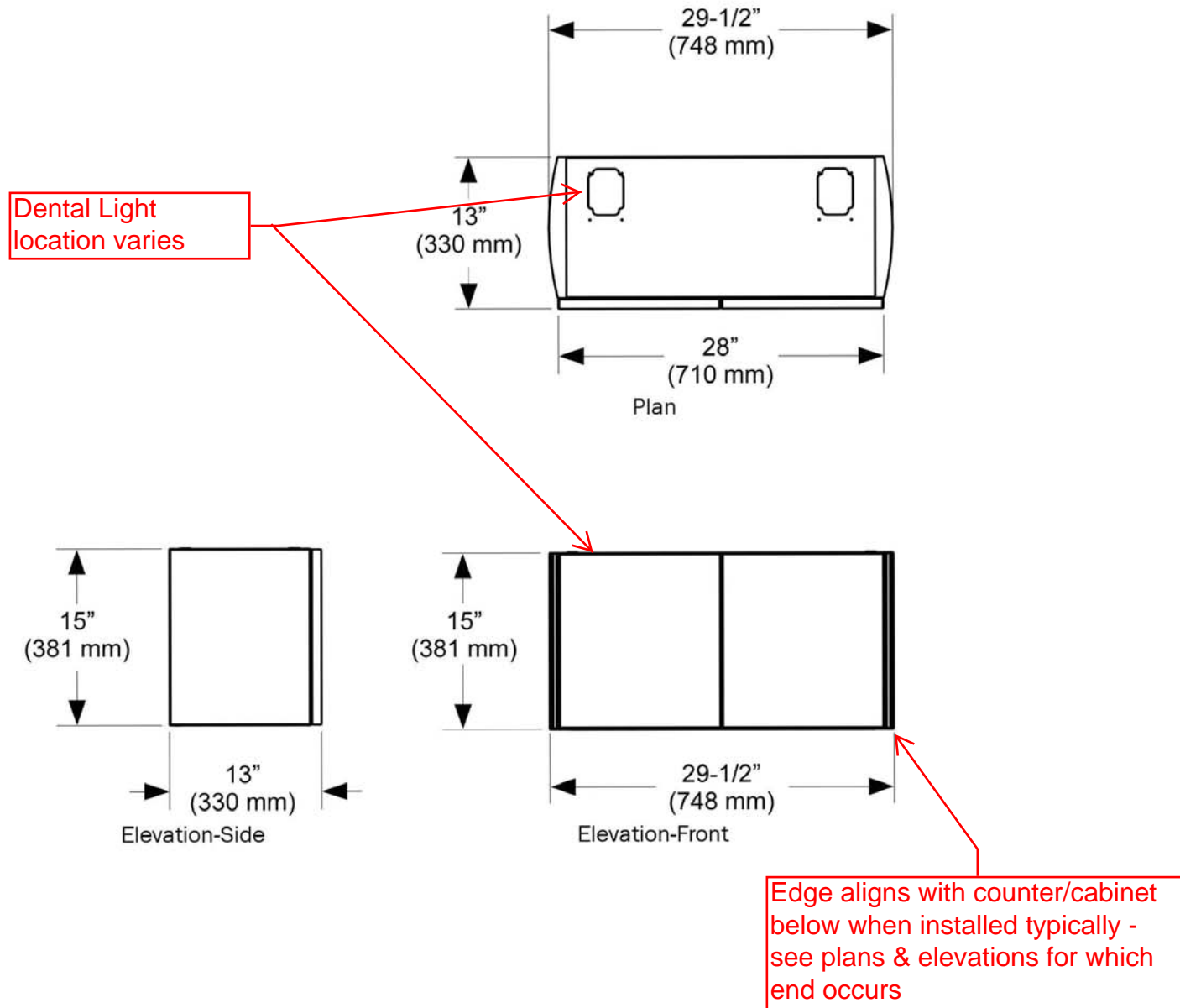
**2** Move the pins to the new location.



**3** Move the hole caps to the new location.

E119 11/11

### A-dec Inspire 595 - 28" Wall-Mounted Dispenser

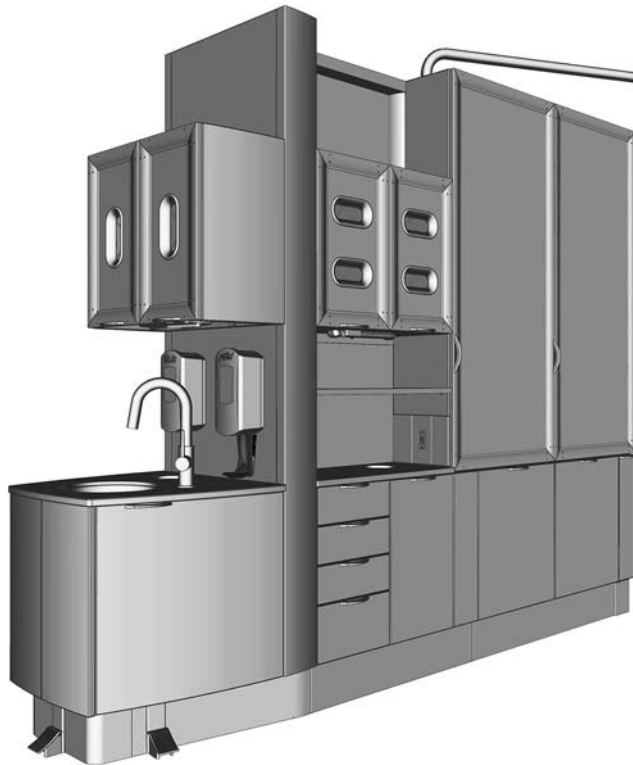




# A-dec 374L/574L/375L/575L Dental Lights on Cabinet/Wall

## INSTALLATION GUIDE

Sidewall cabinet mount



A-dec 574L Dental Light Mounted on an A-dec Inspire<sup>®</sup> 592 Central Console



A-dec 574L Dental Light Mounted on a Preference Collection<sup>®</sup> Cabinet

374L/375L

### Product Models and Versions Covered in this Document

Models	Versions	Description
374L/375L/574L/575L	A	Dental Light
<del>592/593/595</del>	A	Dental Furniture
<del>Preference Collection</del>	A	<del>Dental Furniture</del>

## A-dec Inspire 593 Full Side Consoles and 595 Wall-Mounted Cabinets



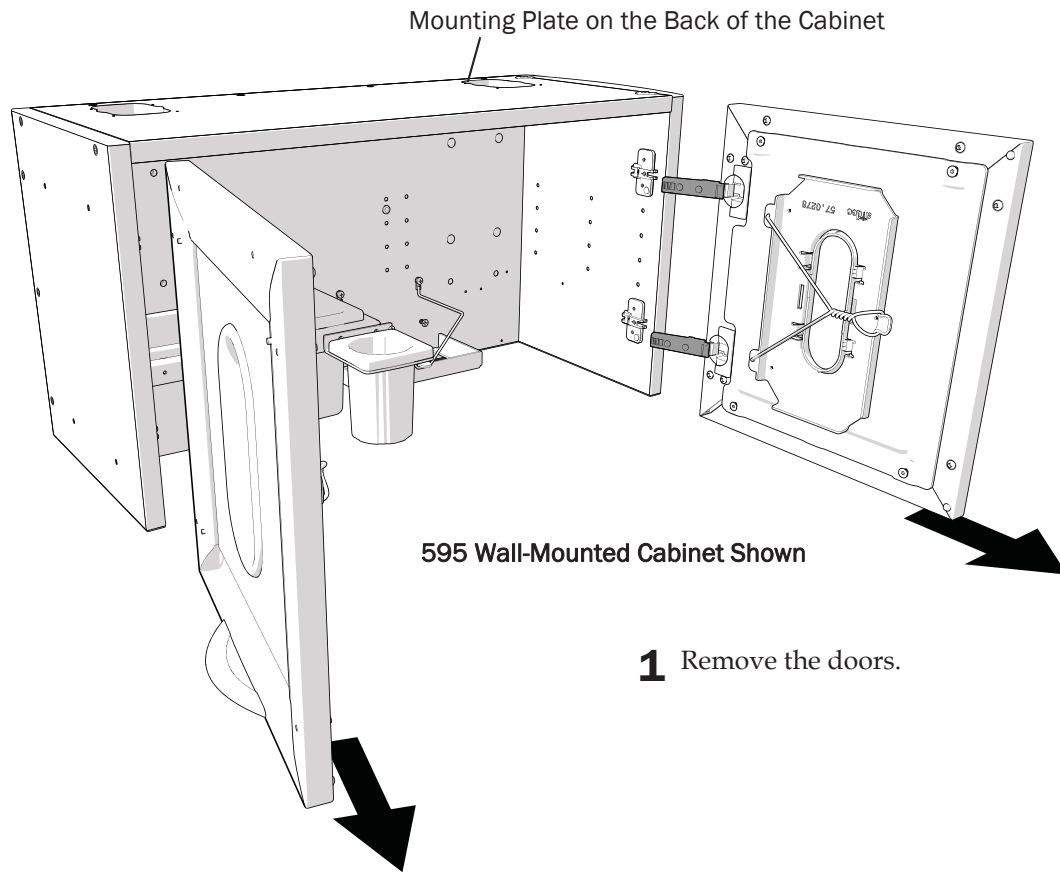
**READ THIS! 595 Wall-Mounted Cabinet Only.** The light can be installed toward either side of the cabinet. The mounting plate, which ships installed, is required for structural integrity of the light and cabinet assembly. For instructions on how to move the mounting plate, see the *A-dec Inspire 595 Wall-Mounted Cabinet Installation Guide*, p/n 86.0520.00.

### Recommended Tools

- Drill
- 3/16" hex key

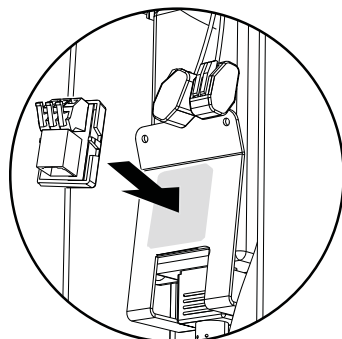
Note: Shown for Reference only - Cabinet and Light installed by Owner's Equipment Supplier

### Task 1.



**1** Remove the doors.

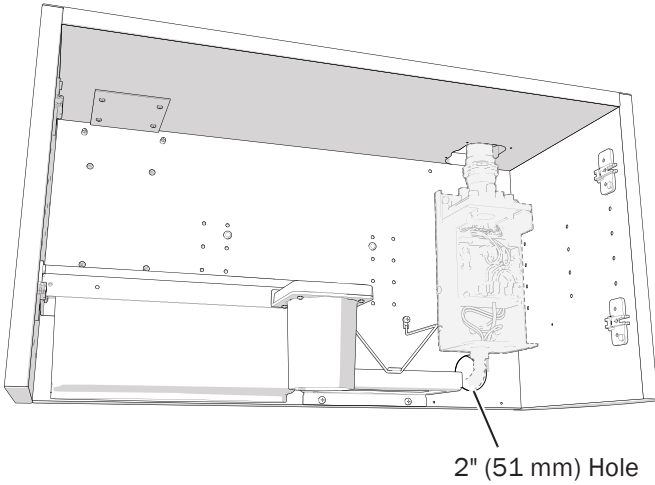
### Task 2.



**1** Peel off the protective paper from the adaptor board.

**2** Attach the adaptor board to the power supply bracket.

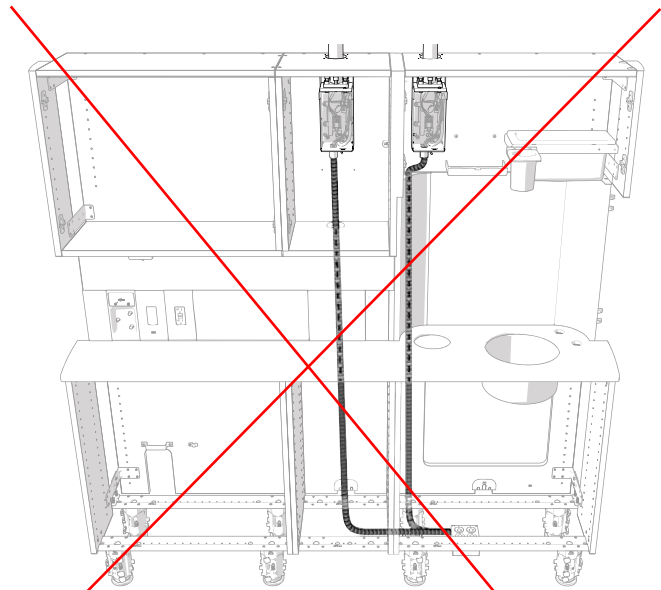
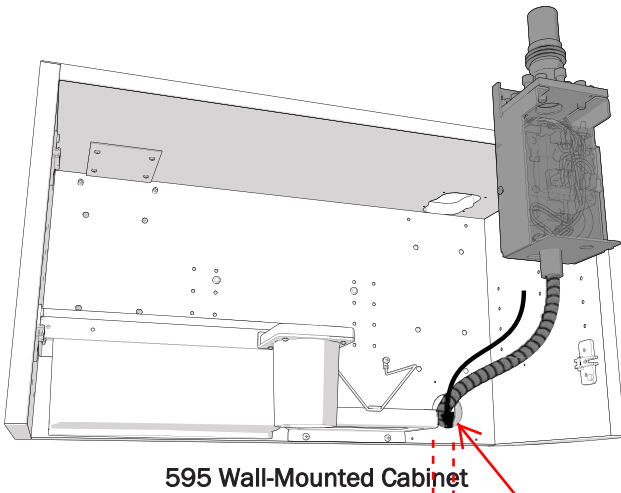
**Task 3. (595 Wall-Mounted Cabinets Only)**



Note: Shown for Reference only - Cabinet and Light installed by Owner's Equipment Supplier

- 1 Drill a 2" (51 mm) hole in the cabinet and wall about 2" (51 mm) below where the power supply will be mounted. The hole is used for routing the conduit and data line.

**Task 4.**



Possible Locations Shown on a 593 Full Side Console

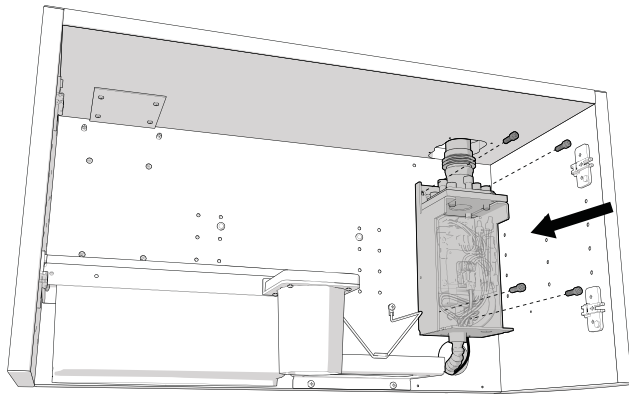
- 1 Route the conduit to the junction box.

keep hole high as possible to allow cover to hide power conduit - see example on 6/8 and location on 8/8

Conduit in wall to base of accessory cabinet



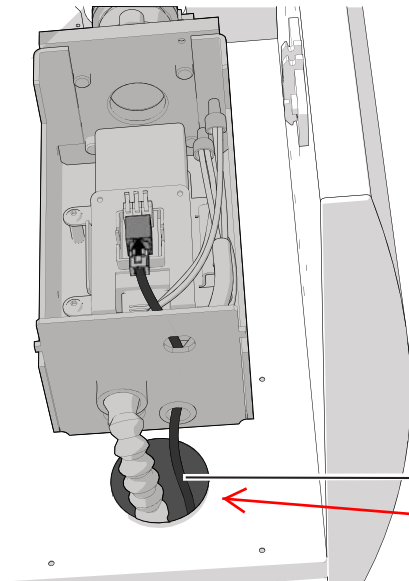
**Task 5.**



- 1** Apply Loctite to the four mounting screws.
- 2** Use the four screws to mount the power supply to the back of the cabinet.

**Note: Shown for Reference only - Cabinet and Light installed by Owner's Equipment Supplier**

**Task 6.**



**595 Wall-Mounted Cabinet Shown**



**NOTE** A data line has been included with the dental light for use with A-dec products that can operate the light through the touchpad. These products include the A-dec 500, A-dec 400, A-dec 300, A-dec 200, and Performer (version B), as well as Decade, Cascade, and Performer (version A) dental chairs that have upgraded chair circuit boards and delivery system touchpads. The data line should never be plugged into a telephone jack. If the system does not include a touchpad, disregard the instructions for the data line.

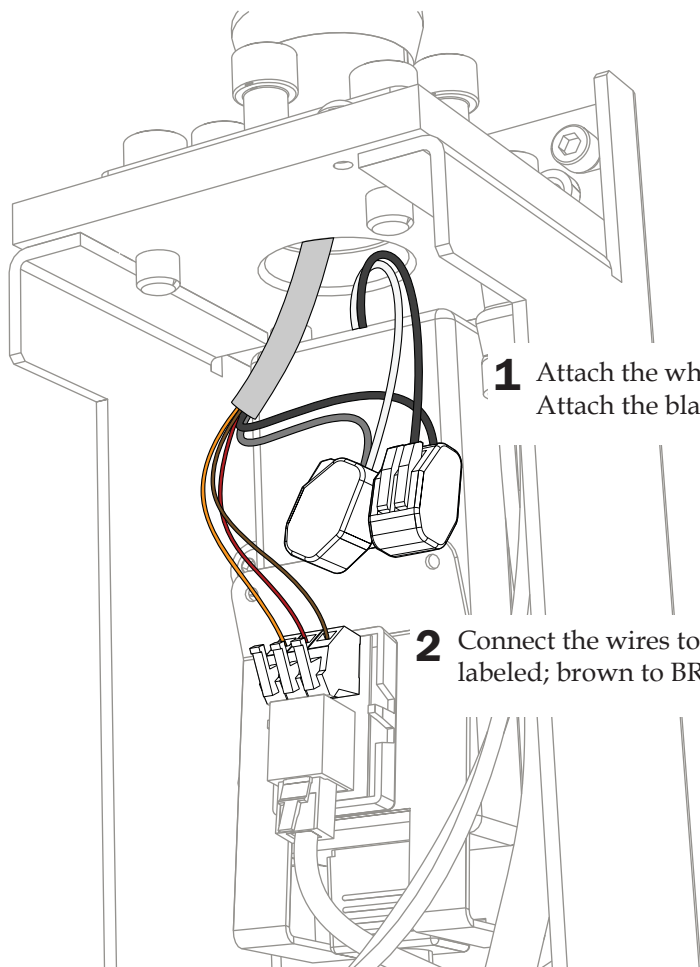
Data Line

**Electrical to provide separate boxes or approved split box**

- 1** Route the data line through the cabinet and power supply frame.
- 2** Connect the data line.

**Next step** See "Install the Flexarm and Light Head" on page 13.

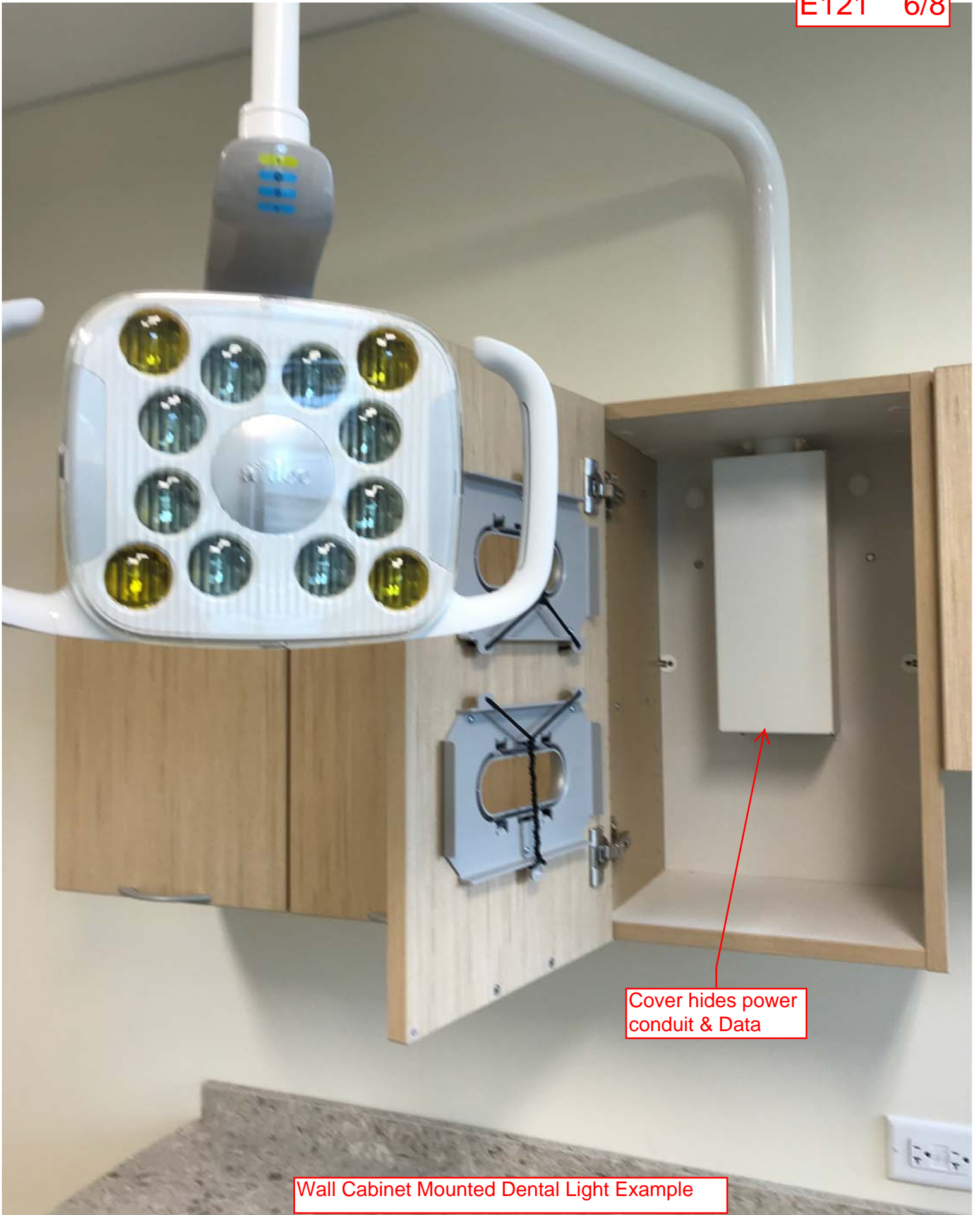
## Connect the Light Cable



**1** Attach the white wire to the WAGO® connector with the gray wire. Attach the black wire to the WAGO with the black wire.

**2** Connect the wires to the positions on the adaptor board as labeled; brown to BRN, red to RED, and orange to ORN.

Note: Shown for Reference only - Cabinet and Light installed by Owner's Equipment Supplier



Cover hides power conduit & Data

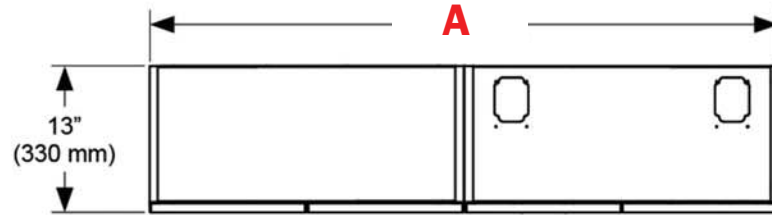
Wall Cabinet Mounted Dental Light Example

# 595 - 56" Wall-Mounted Storage and Dispenser

E121 7/8

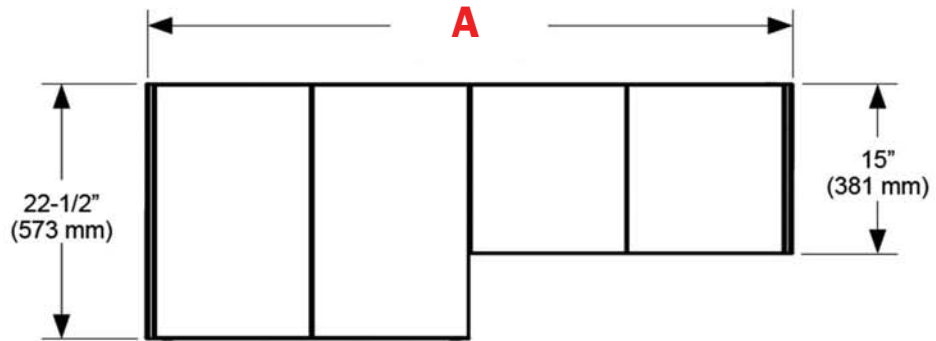
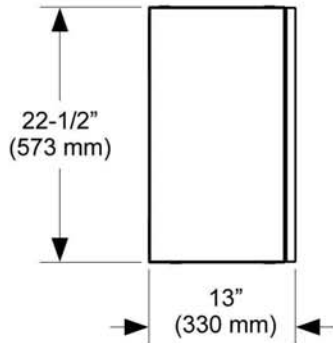
**A**

End Cap Configuration	Width
Both flat	56-1/4" (1426 mm)
Both curved	57-3/4" (1461 mm)
Curved-flat	57" (1444 mm)



Note: Dimensions will vary based on cabinet configuration and length

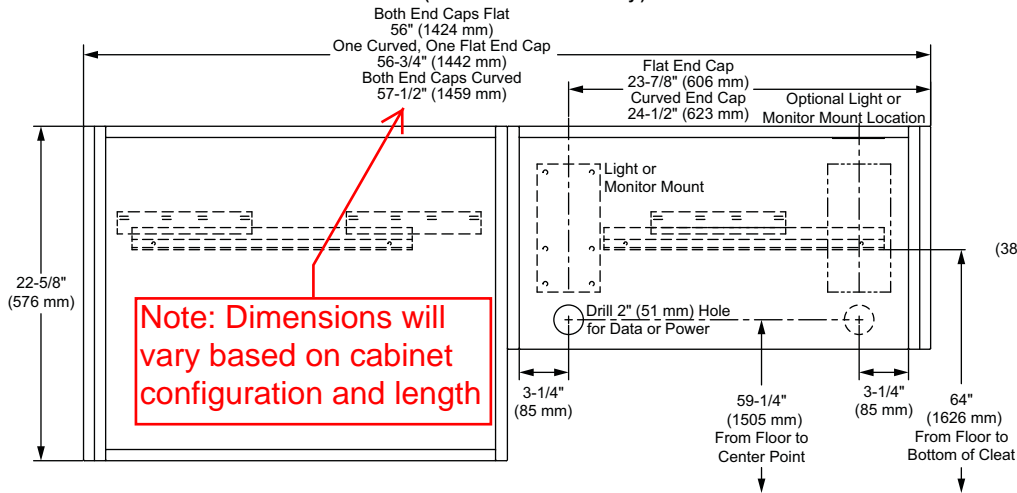
Note: reference of cabinet dimensions to assist in access holes as shown on page 8/8



# 595 Wall Mounted Cabinet, 28" and 56" Modules

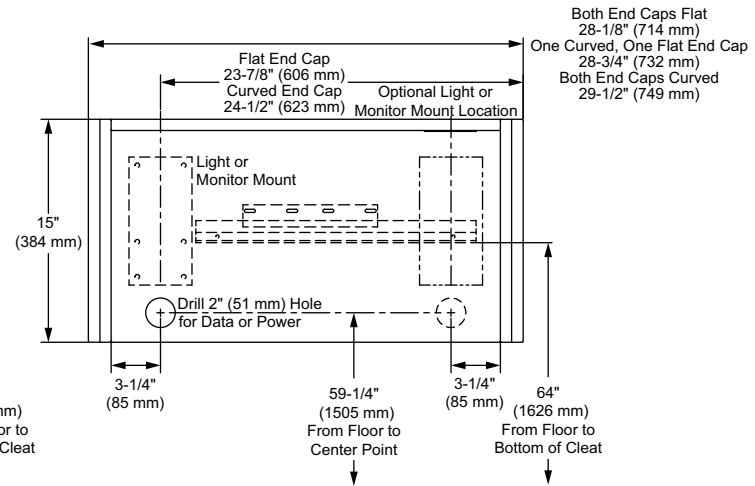
**E121 8/8**

**A-DEC INSPIRE 595 56" STORAGE AND DISPENSER WALL-MOUNTED CABINET**  
(Doors not shown for clarity.)

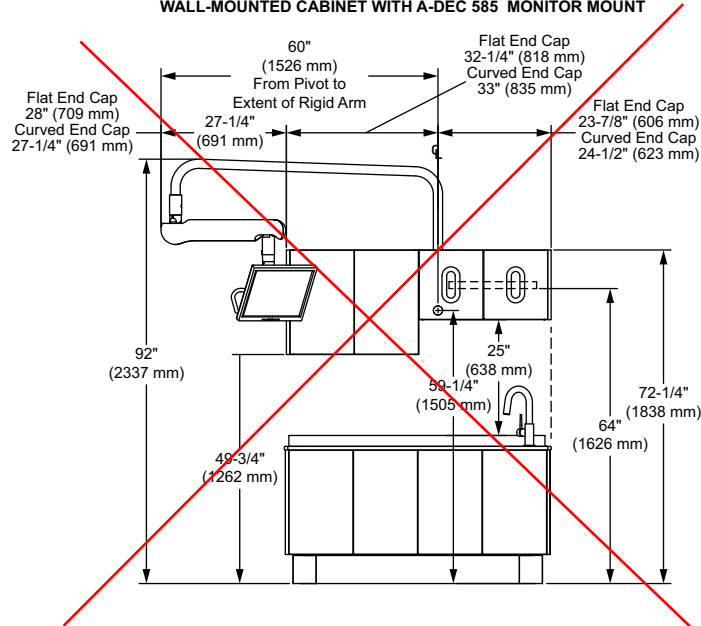


**Note: Dimensions will vary based on cabinet configuration and length**

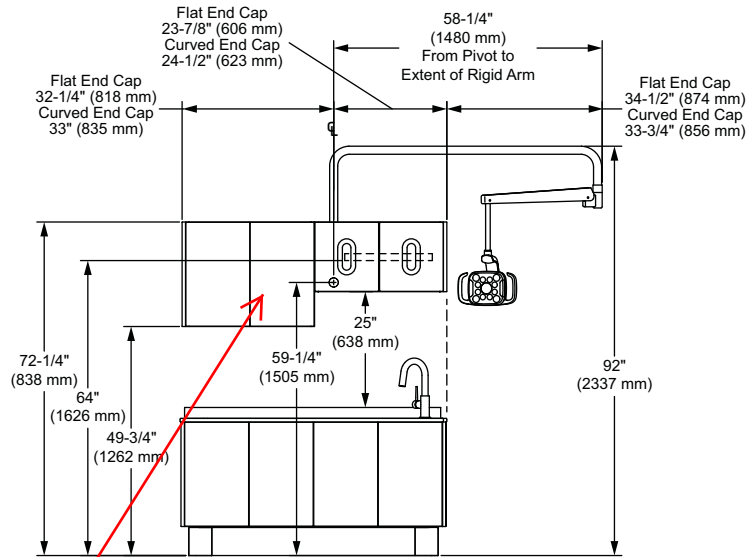
**A-DEC INSPIRE 595 28" DISPENSER WALL-MOUNTED CABINET**  
(Doors not shown for clarity.)



**A-DEC INSPIRE 595 56" STORAGE AND DISPENSER WALL-MOUNTED CABINET WITH A-DEC 585 MONITOR MOUNT**



**A-DEC INSPIRE 595 56" STORAGE AND DISPENSER WALL-MOUNTED CABINET WITH A-DEC 575 DENTAL LIGHT**



**Note: Cabinet configuration varies**

## Installation Guide

# A-dec 585 Monitor Mount on a Wall or Cabinet

### Before You Begin

This procedure applies to the A-dec Inspire™ 593 Full Side Consoles and 595 Wall-Mounted Cabinet and wall mounts.

### Recommended Tools

- 7/16" combination wrench
- Tape measure
- 9/16" socket and ratchet with 6" extension
- Phillips head screwdriver
- Hole saw - 1.75"
- Level
- 3/8" drill with a 3/16" drill bit
- Hex key set ("T" handles recommended)

### Important Information

Check with local building and code authorities about installation requirements specific to your location.



**CAUTION** Use an SJT type cable when connecting power to the monitor. SJT cables are more durable than the SVT cables typically provided by monitor manufacturers and they are required when routed through moving arms.

- Do not use a monitor that weighs more than 20 lb.
- Use a monitor that fits a 75 mm or 100 mm VESA pattern mount.
- Always follow local building and electrical codes.



**NOTE** Not all parts included in this kit may be necessary for your particular installation or configuration.

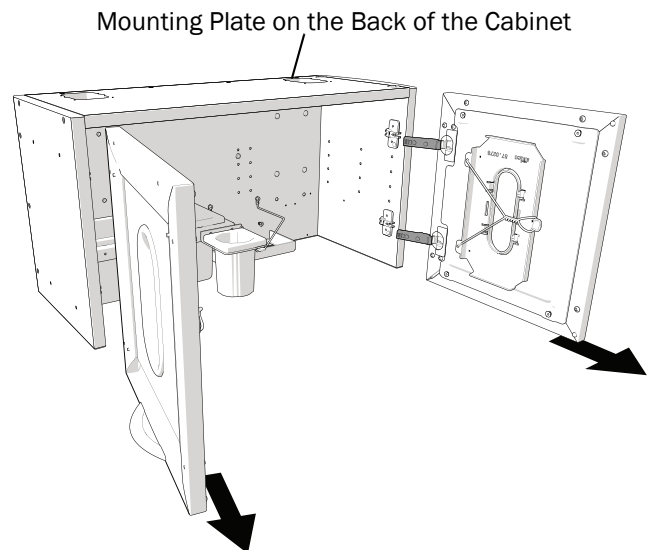


**CAUTION** When removing or replacing covers, take care not to damage any wiring. Verify that the covers are secure after replacing them.



### Prepare the Cabinet (Cabinets Only)

1. Remove the doors.

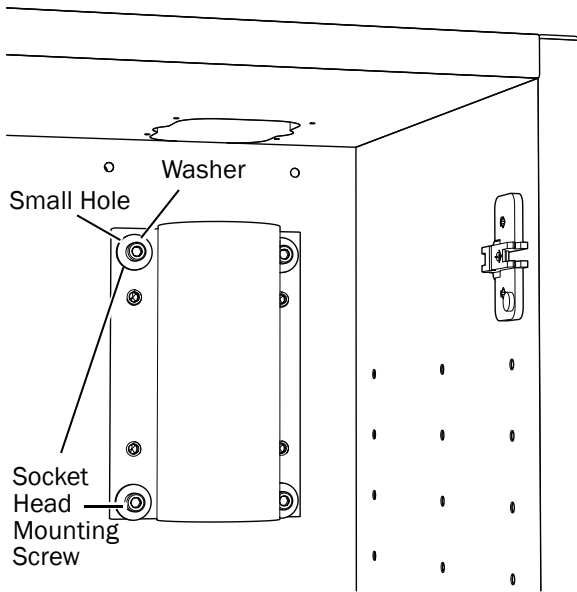


595 Wall-Mounted Cabinet Shown

Refer to Cut Sheets for  
E119 Wall Mounted  
595 Cabinet for  
additional information

### Install the Mount in the Cabinet

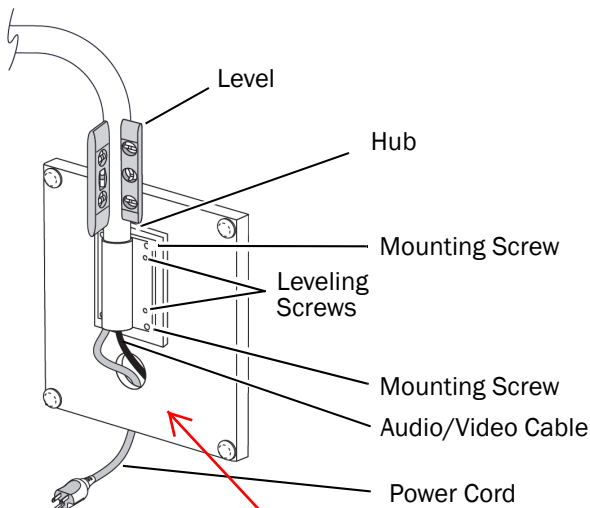
1. Position the smaller hole in the mount to the top left hole of the mounting plate.
2. Use a 3/16" hex key, the 1 3/4" screws, and washers to secure the mount.



595 Wall-Mounted Cabinet Shown

### Install the Rigid Arm

1. Slide the rigid arm into the mount.
2. Place the level on the vertical section of the rigid arm, and rough level the mount. Loosen the mounting screws and adjust the leveling screws until the mount is level.



Refer to page 3/4 for outlet location

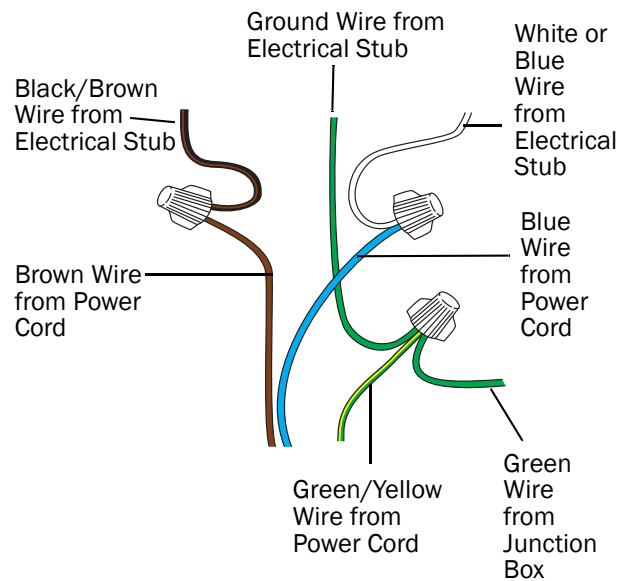
### Connect to Power

1. Route the power cord through the mount.



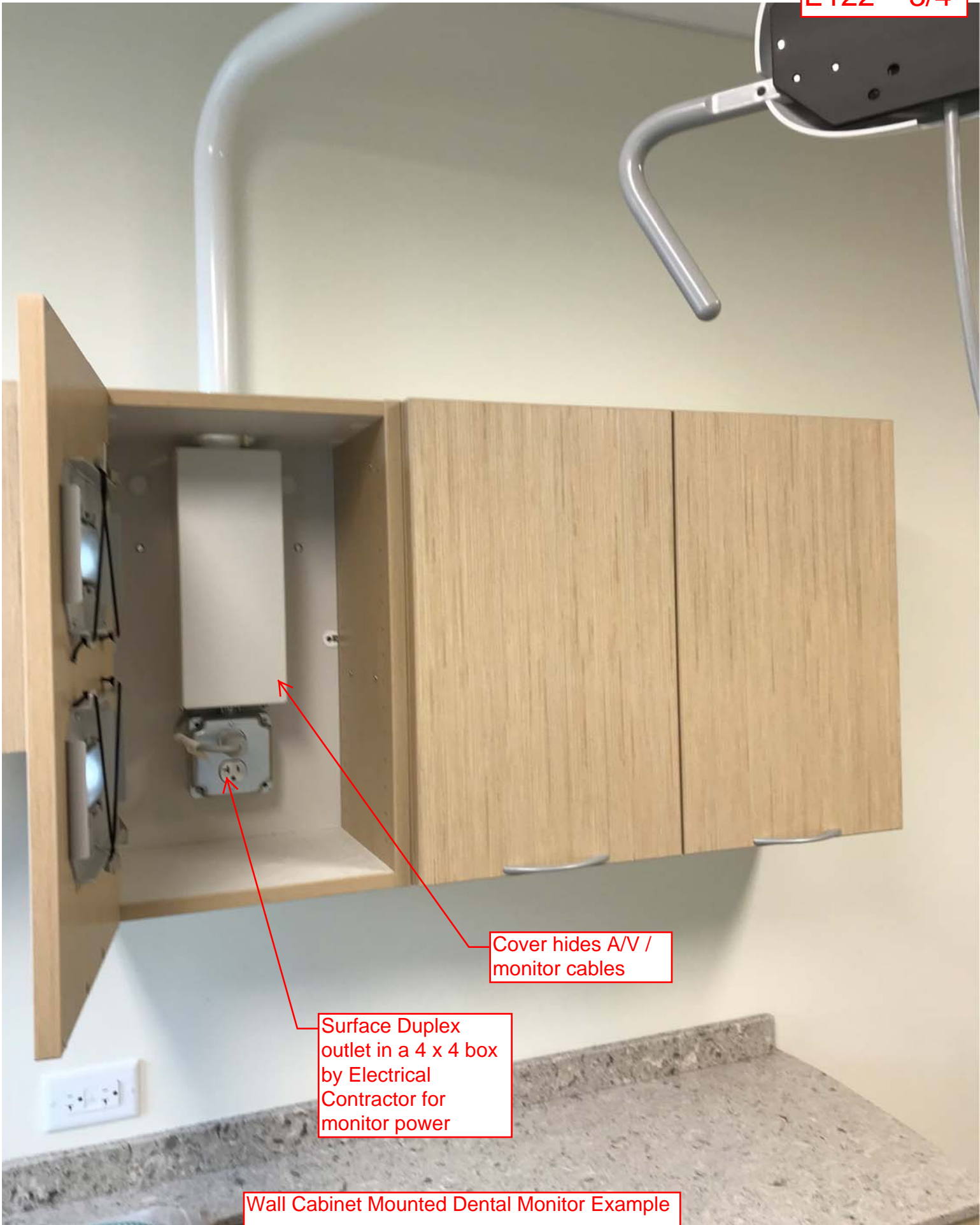
**NOTE** For hard wired applications, an electrician or another qualified personnel must make the connections per local codes and regulations.

2. Plug the power cord into a wall outlet for 100 VAC or 110-120 VAC versions.



Refer to Cut Sheets for E115, E117 and E119 Wall Mounted 595 Cabinet for additional information





Cover hides A/V /  
monitor cables

Surface Duplex  
outlet in a 4 x 4 box  
by Electrical  
Contractor for  
monitor power

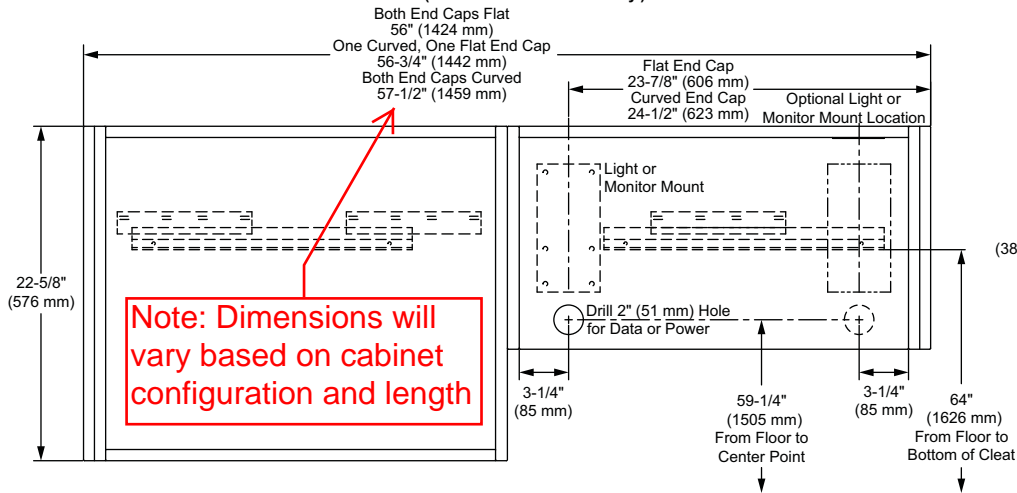
Wall Cabinet Mounted Dental Monitor Example



# 595 Wall Mounted Cabinet, 28" and 56" Modules

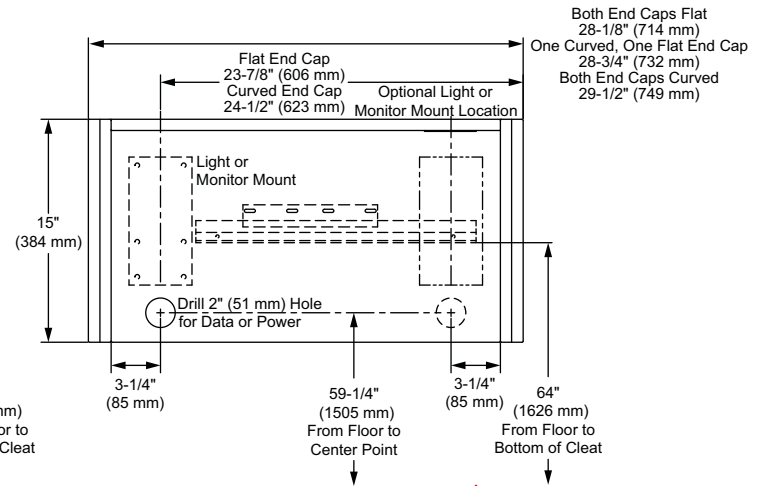
**E122 4/4**

**A-DEC INSPIRE 595 56" STORAGE AND DISPENSER WALL-MOUNTED CABINET**  
(Doors not shown for clarity.)

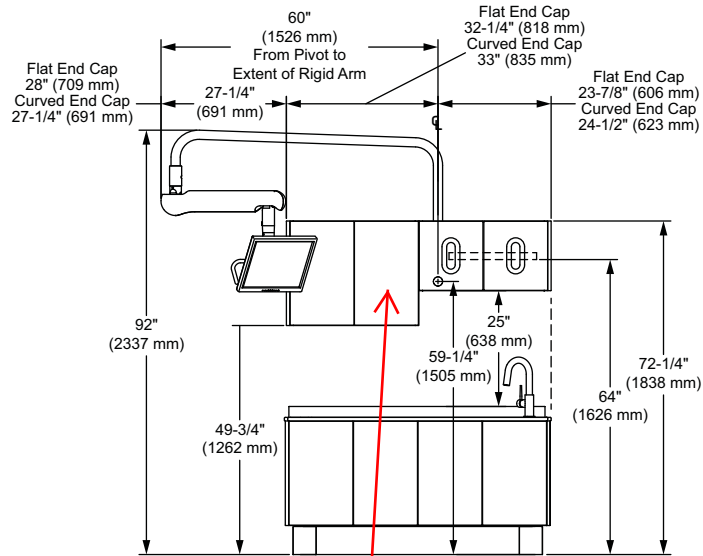


**Note: Dimensions will vary based on cabinet configuration and length**

**A-DEC INSPIRE 595 28" DISPENSER WALL-MOUNTED CABINET**  
(Doors not shown for clarity.)

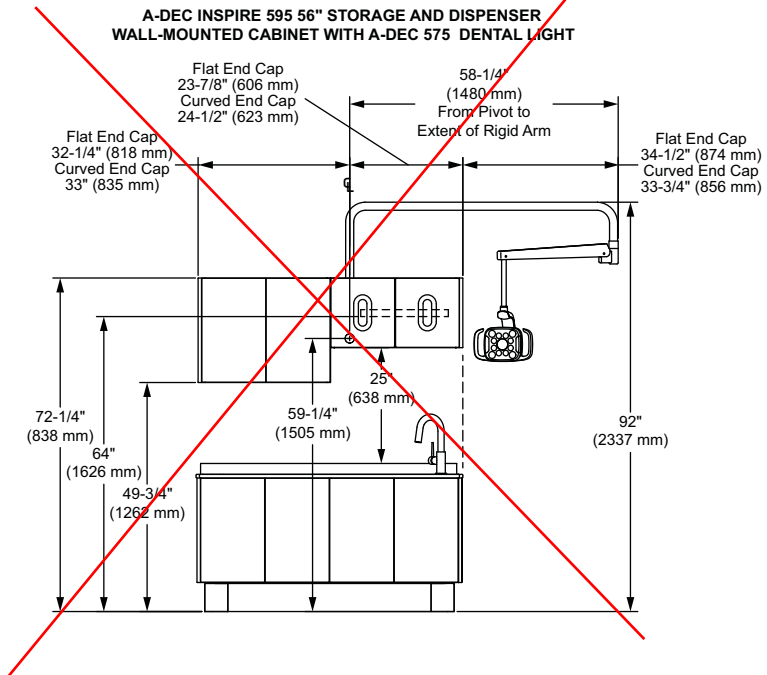


**A-DEC INSPIRE 595 56" STORAGE AND DISPENSER WALL-MOUNTED CABINET WITH A-DEC 585 MONITOR MOUNT**



**Note: Cabinet configuration varies**

**A-DEC INSPIRE 595 56" STORAGE AND DISPENSER WALL-MOUNTED CABINET WITH A-DEC 575 DENTAL LIGHT**



# Vacuum-line cleaning made simple.

Preparing your treatment rooms for patients just got easier. Welcome to ICV,<sup>™</sup> a vacuum-line cleaning innovation that integrates right into your cabinetry. Just connect the HVE and saliva ejector to ICV, press the Start button, and in 2 minutes (or less) the vacuum lines are purged with the cleaner of your choice. Simply put, ICV can help your staff save precious time and effort—all while extending the life of your vacuum system.

- simple 3-step operation
- fast; 2 minutes/cycle
- easy-to-fill tank
- compatible with most cabinets\*
- safer and cleaner than other vacuum-line cleaning methods

\* requires minimum module dimensions:  
7" (178 mm) W x 20" (508 mm) D x 21" (533 mm) H

To see ICV in action, contact your local authorized A-dec dealer or call 1.800.547.1883 or 1.503.538.7478 (outside USA and Canada).



# Installation Guide

## ICV



Note: Shown for Reference only - ICV is installed at factory/on site by Owner's Equipment Supplier

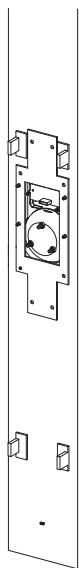
### Recommended Tools

- 3/32" hex key
- Diagonal cutters
- Phillips head #1 screwdriver
- Phillips head #2 screwdriver

### Before You Begin

- Locate the pre-drilled cutout and utility placement for the installation. Ensure an electric receptacle is located within the mounting cabinet in a readily accessible location. The layout for the ICV is extremely flexible and can accommodate most operatory configurations.
- Create a cutout in the cabinet for the ICV, if necessary. Use the drilling template on page 6. If installing the ICV in existing A-dec Preference Collection™ cabinetry, you can order pre-drilled panels.

- Attach the reinforcing bracket to the cutout (X-ray panel installations only). Orient the reinforcing bracket to the cutout and attach it. Use the screws and washers supplied in the kit.



1. Disconnect the power source for ICV.



**DANGER** Failure to disconnect the power before you begin this procedure can lead to electrical shock.



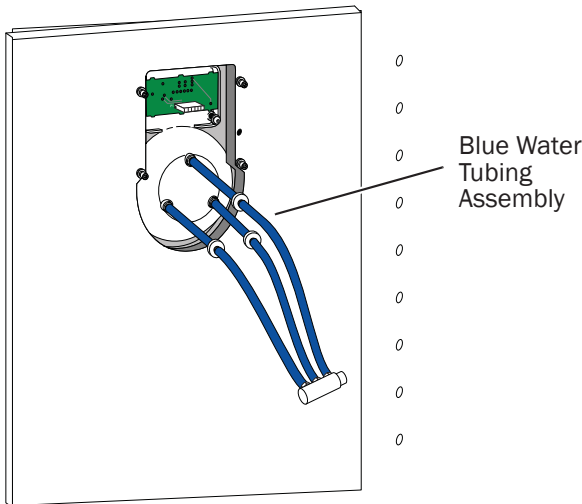
**WARNING** Failure to disconnect the power before you begin this procedure can lead to product damage and result in serious injury or death.



**CAUTION** Circuit boards are sensitive to static electricity. Electrostatic Discharge (ESD) precautions are required when touching a circuit board or making connections to or from the circuit board. Circuit boards should be installed only by an electrician or qualified service person.

### Install the ICV Control Panel

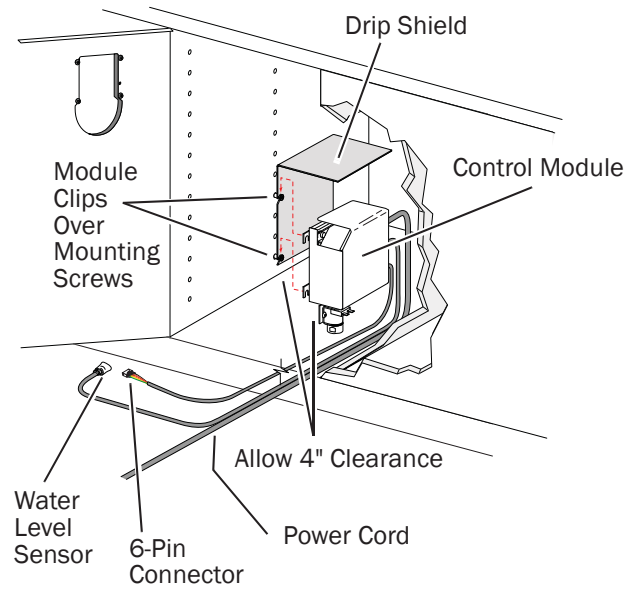
1. Attach the ICV control panel to the cutout in the module front. Use the screws and washers provided in the kit.
2. Attach the blue tubing assembly to the front panel.



**NOTE** For a dual panel configuration, complete the same steps for installing each control panel in its respective location. For additional wiring and plumbing layout information, see “Test and Adjust the Cycle Time” on page 5.

### Install the Control Module

1. Install the mounting screws.
  - o Standard cabinet: Use the mounting holes in the inner cabinet for adjustable shelves. Allow 4" of clearance.
  - o Round cabinet: Use the holes specifically for the ICV control module. See “Route the Tubing and Wiring” on page 3.
2. Attach the drip shield to the cabinet by sliding it over the mounting screws.
3. Mount the control module on the side of the cabinet. The module clips over the mounting screws. Tighten the screws after mounting.

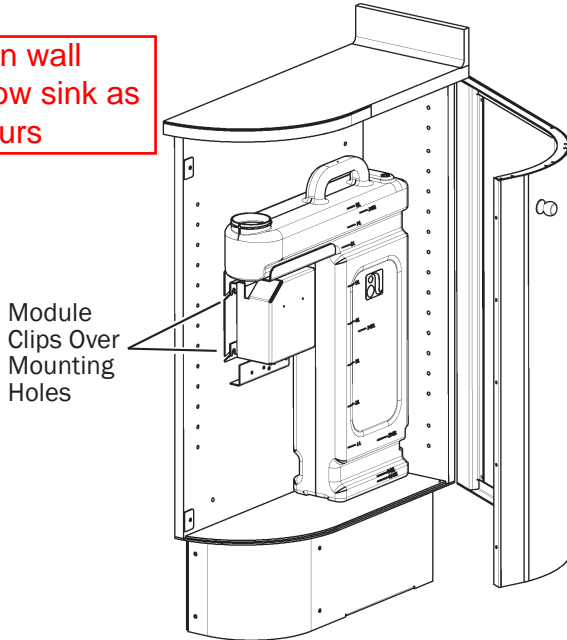


**Note: Shown for Reference only - ICV is installed at factory/on site by Owner's Equipment Supplier**

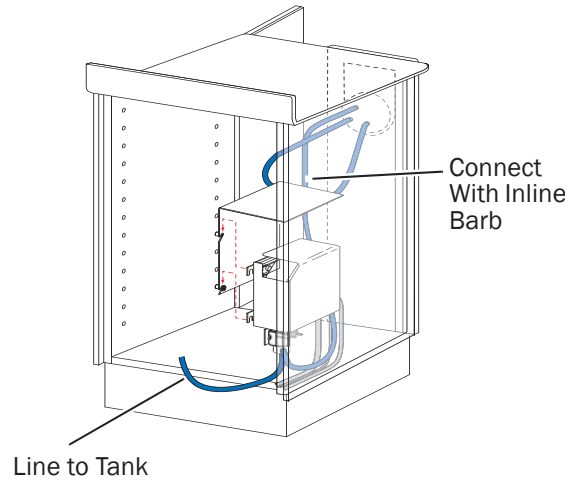
## Route the Tubing and Wiring

1. Route the ICV plug to the most convenient available electrical outlet, which is easily accessible without the use of tools (usually found under the cabinet subbase). Ensure normal operation of cabinet drawers and doors.

Or in wall below sink as occurs



2. Route the blue water tubing in the kit from the bottom barb control module to the control panel tubing and connect it.



**NOTE** For dual panel tubing and wiring routing, refer to "Test and Adjust the Cycle Time" on page 5. In a dual operator configuration, Operator B's cables and solenoid are marked.



**NOTE** If a receptacle is not already present within the cabinet, have a licensed electrician install a junction box with receptacle in this location.

Alternatively, the electrician can remove the plug end, hard wire the cord to the nearest junction box, and identify the branch circuit breaker in the load center for disconnect purposes. The load center must be located in close proximity to the equipment.

Note: Shown for Reference only - ICV is installed at factory/on site by Owner's Equipment Supplier

# Performance Stools

Seating That's Made to Perform



E124 1/4

The logo for 'a dec' features a blue caduceus symbol above the lowercase letters 'a' and 'dec'. The 'a' is stylized with a dot, and the 'dec' is in a bold, sans-serif font. A registered trademark symbol (®) is located at the top right of the 'c'.



# A-dec 500 Stools

## Dynamic Support

Our feature-rich A-dec 500 stools have a dynamic seating system with unique performance zones that mold to the shape of the body. These performance zones work in unison to keep you supported while you shift, lean and work. Other features, such as the contoured backrest, cradle the spine for ultimate comfort. With A-dec's ergonomic seating solutions, you can focus on what's most important—your patients.

### STOOL FEATURES:

#### Tilt Seat

Distributes weight from seat to feet allowing proper circulation.

#### Contoured Backrest

Cradles the spine, while encouraging blood flow. Contoured backrest is standard on the A-dec 521 doctor's stool and optional on the A-dec 522 assistant's stool.

#### Upholstery

Minimal seams make clean up easy.

#### Standard Foot Ring (A-dec 522 Assistant's stool)

Helps practitioner maintain correct posture.



#### Whisper Quiet Casters

The design provides smooth, ultra-quiet movement on both carpet and hard flooring.



#### Adjustment Controls

Numbered paddles are easy to access for quick adjustments and easy cleaning.



#### Backrest Height Control

A push button makes access and one handed adjustments easy.



A-dec 521 Doctor's Stool

E124 2/4

A-dec 522 Assistant's Stool



Note: Shown for reference only

Note: Shown for reference only

E124 3/4

A-dec 521 Doctor's Stool with Optional Swing-out Armrests



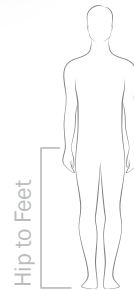
**Optional Foot Pedestal**

Replaces foot ring to better distribute weight from the seat to the feet for an "athletic stance."

**A-dec 521 Doctor's Stool  
Find the Right Height**

To choose the right stool height, measure from hips to the feet.

Above 34" - Choose tall cylinder  
Under 34" - Choose short cylinder



**A-dec 500 Stools  
Options & Accessories**

**Optional Swing-out Armrests**

Three adjustments—width, height and rotation—give you greater support and mobility.

- Rest your arms while working in the oral cavity
- Slide armrests out of the way with ease
- Adjust armrest height



	Doctor's Stool A-dec 521	Assistant's Stool A-dec 522
Dynamic seating system	•	•
Contoured backrest	•	optional
Seat tilt adjustment	•	only with optional backrest
Swing-out armrests	optional	
Height-adjustable foot ring		•
Foot pedestal		optional



# Upholstery and Color Options

Note: Shown for reference only

## All About Hue

Use color to create an office that truly reflects your personality. Select from a wide variety of colors in either formed or sewn upholstery for A-dec 421 and A-dec 422. Sewn only options available for A-dec 521 and A-dec 522. Get some inspiration from [a-dec.com/InspireMe](http://a-dec.com/InspireMe).

### Sewn Upholstery (available for A-dec 500 and A-dec 400 Stools)



### Formed Upholstery (available for A-dec 400 Stools)



Actual colors may vary. See your authorized A-dec Dealer for color samples and the most current product information.

Order Your Samples at [a-dec.com/InspireMe](http://a-dec.com/InspireMe)



# Performance Stools

Seating That's Made to Perform



E125 1/4

The logo for 'a dec' features a blue caduceus symbol above the lowercase letters 'a' and 'dec'. The 'a' is stylized with a dot, and the 'dec' is in a bold, sans-serif font. A registered trademark symbol (®) is located at the top right of the 'c'.

# A-dec 500 Stools

## Dynamic Support

Our feature-rich A-dec 500 stools have a dynamic seating system with unique performance zones that mold to the shape of the body. These performance zones work in unison to keep you supported while you shift, lean and work. Other features, such as the contoured backrest, cradle the spine for ultimate comfort. With A-dec's ergonomic seating solutions, you can focus on what's most important—your patients.

### STOOL FEATURES:

#### Tilt Seat

Distributes weight from seat to feet allowing proper circulation.

#### Contoured Backrest

Cradles the spine, while encouraging blood flow. Contoured backrest is standard on the A-dec 521 doctor's stool and optional on the A-dec 522 assistant's stool.

#### Upholstery

Minimal seams make clean up easy.

#### Standard Foot Ring (A-dec 522 Assistant's stool)

Helps practitioner maintain correct posture.

Note: Shown for reference only



#### Whisper Quiet Casters

The design provides smooth, ultra-quiet movement on both carpet and hard flooring.



#### Adjustment Controls

Numbered paddles are easy to access for quick adjustments and easy cleaning.



#### Backrest Height Control

A push button makes access and one handed adjustments easy.



E125 2/4

Note: Shown for reference only

E125 3/4

A-dec 521 Doctor's Stool with Optional Swing-out Armrests



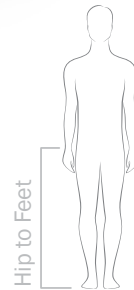
**Optional Foot Pedestal**

Replaces foot ring to better distribute weight from the seat to the feet for an "athletic stance."

**A-dec 521 Doctor's Stool Find the Right Height**

To choose the right stool height, measure from hips to the feet.

Above 34" - Choose tall cylinder  
Under 34" - Choose short cylinder



**A-dec 500 Stools Options & Accessories**

**Optional Swing-out Armrests**

Three adjustments—width, height and rotation—give you greater support and mobility.

- Rest your arms while working in the oral cavity
- Slide armrests out of the way with ease
- Adjust armrest height



	Doctor's Stool A-dec 521	Assistant's Stool A-dec 522
Dynamic seating system	•	•
Contoured backrest	•	optional
Seat tilt adjustment	•	only with optional backrest
Swing-out armrests	optional	
Height-adjustable foot ring		•
Foot pedestal		optional



Note: Shown for reference only

# Upholstery and Color Options

## All About Hue

Use color to create an office that truly reflects your personality. Select from a wide variety of colors in either formed or sewn upholstery for A-dec 421 and A-dec 422. Sewn only options available for A-dec 521 and A-dec 522. Get some inspiration from [a-dec.com/InspireMe](http://a-dec.com/InspireMe).

## Sewn Upholstery (available for A-dec 500 and A-dec 400 Stools)



Actual colors may vary. See your authorized A-dec Dealer for color samples and the most current product information.

## Formed Upholstery (available for A-dec 400 Stools)



Order Your Samples at [a-dec.com/InspireMe](http://a-dec.com/InspireMe)





# IMPLANTOLOGY SYSTEMS A TOUCH OF GENIUS



5

**USER MIND**

Bien-Air has reinvented medical instrumentation by combining technological intelligence and the user experience. Ingenuity and pleasure go hand in hand with unrivalled ease of use.

**MICRO-SERIES**

More compact and lighter assemblies, for exceptional balance and handling.

**CARE FREE**

Thanks to its lifetime-lubricated ceramic ball bearings, your micromotor requires no lubrication. This makes it quicker to re-use and reduces maintenance costs.

**QUALITY LED**

Bien-Air is setting new standards in the field of LED lighting. Intensity adjustable from 0 to 38,000 lux, perfectly natural light, exceptional sterilisation resistance.

**DUALOOK**

The two glass fibre rods provide the best lighting on the market and are robust enough to withstand all conditions.

**SMART LOGIC**

The most high-precision control ever obtained. Torque, speed and bur position controlled to perfection, even at low speeds.

**DATA CONTROL**

The user can take charge of the technology thanks to unique data management. Preferences, settings and documents can be personalised, saved, printed, exported or sent.

**SWISS MADE**

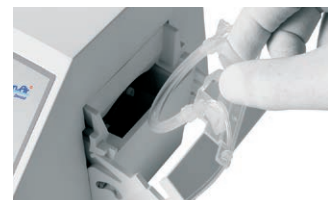
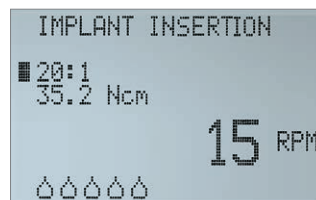
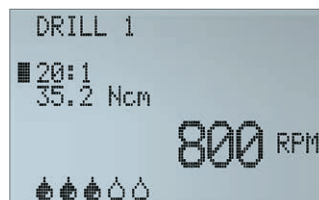
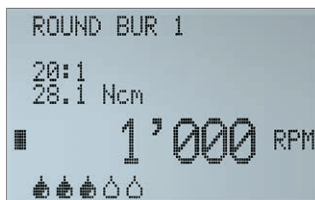
Exceptional techniques and materials for products which are individually manufactured and tested in the heart of Watch Valley, in Switzerland.





# CHIROPRO L AND CHIROPRO

## EFFICIENCY AND VERSATILITY



11

Chiropro L features 7 of the main implant systems on the market. Their complete pre-programmed clinical sequences are displayed on the screen. Chiropro L can also be customised according to your needs and adapted to each user. Only a few seconds are needed to define, save or modify your program.

Designed to simplify your daily practice, the Chiropro L unit is infinitely versatile, allowing numerous clinical applications such as implantology, endodontics and dental surgery. Chiropro is a simplified version exclusively dedicated to implantology.

All our physiodispensers are equipped with a highly practical peristaltic pump, designed and patented by Bien-Air. Our irrigation lines incorporate an insertion support ensuring very easy handling and optimal hygiene.

Chiropro L is programmed for the following implant systems:  
 Straumann - Nobel Biocare - Zimmer - Dentsply Implants - Biomet 3i - AstraTech  
 - Thommen Medical

The above implant brands are trademarks registered by companies of the same name. The parameters contained in the implant manufacturers' programs are given for information only and Bien-Air cannot be held liable for them. The parameters may be subject to modification without notice.

## TECHNICAL DATA

2  
YEAR  
WARRANTY

## iCHIROPRO

Micromotor voltage	1 quick-connect connection/32 Vdc for MX-i LED micromotor
Insulation class	Class I, according to IEC 60601-1
Protection class	IP40
Dim. (LxDxH)/weight	242 x 244 x 102 mm (H with 482 mm bracket)/2.8 kg
Peristaltic pump	Flow rate 30-150 ml/min
Bracket	Stainless steel, height 440 mm
iChiropro ref.	1600784-001
iChiropro set with Micro-Series CA 20:1 L	1700440-001
iChiropro set without Micro-Series CA 20:1 L	1700439-001

## CHIROPRO L/CHIROPRO

2  
YEAR  
WARRANTY

Micromotor voltage	1 quick-connect connection/32 Vdc for MX-i LED and MX-i micromotors
Insulation class	Class I, according to IEC 60601-1
Protection class	IP40
Dim. (LxDxH)/weight	309 x 220 x 123 mm (H with 506 mm bracket)/2.7 kg
Peristaltic pump	Flow rate 30-150 ml/min
Irrigation bracket	Stainless steel, height 440 mm
Chiropro L ref.	1600613-001
Programs	8 pre-programmed 10-step sequences 1 endo sequence, 4 programs for dental surgery.
Chiropro L set with Micro-Series CA 20:1 L	1700307-001
Chiropro L set without CA	1700298-001
Chiropro ref.	1600724-001
Programs	8 pre-programmed sequences (10 steps each)
Chiropro set with CA 20:1	1700388-001
Chiropro set without CA	1700387-001

### PROTECTIVE FILM FOR IPAD

Set of 10 sterile single-use protective films

Ref. 1501746-010



### AQUACARE

Aquacare

Cleaning residual physiological liquid

Ref. 1600617-006

### SPRAYNET

Clean with Spraynet®

Universal cleaning product for internal and external application

Ref. 1600036-006

### LUBRIFLUID

Lubricate with Lubrifluid®

Lubricant for handpieces

Ref. 1600064-006



### IRRIGATION LINES

Materials

PVC, silicone

Length

2.3 m

External/internal diameter

ø 2.6 mm/ø 1.4 mm

Medical device

Class I

Sterile, single use

Irrigation lines

Ref. 1500984-010

Kirschner/Meyer irrigation lines

Ref. 1501635-010

Clips

Ref. 1303711-010



### KIRSCHNER/MEYER DETACHABLE IRRIGATION SET

Sterilisation

Steam autoclave up to 135 °C

Kirschner/Meyer detachable irrigation set

Ref. 1501621-010



### 3-BUTTON FOOT PEDAL

Description

3 selector buttons, 1 variable speed drive.  
Compatible with iChiropro, Chiropro L and Chiropro

Functions

Progressive speed, ON/OFF peristaltic pump, program selection, selection of the micromotor's direction of rotation

Protection class

IPX8 as per IEC529

Ref.

1600631-001

