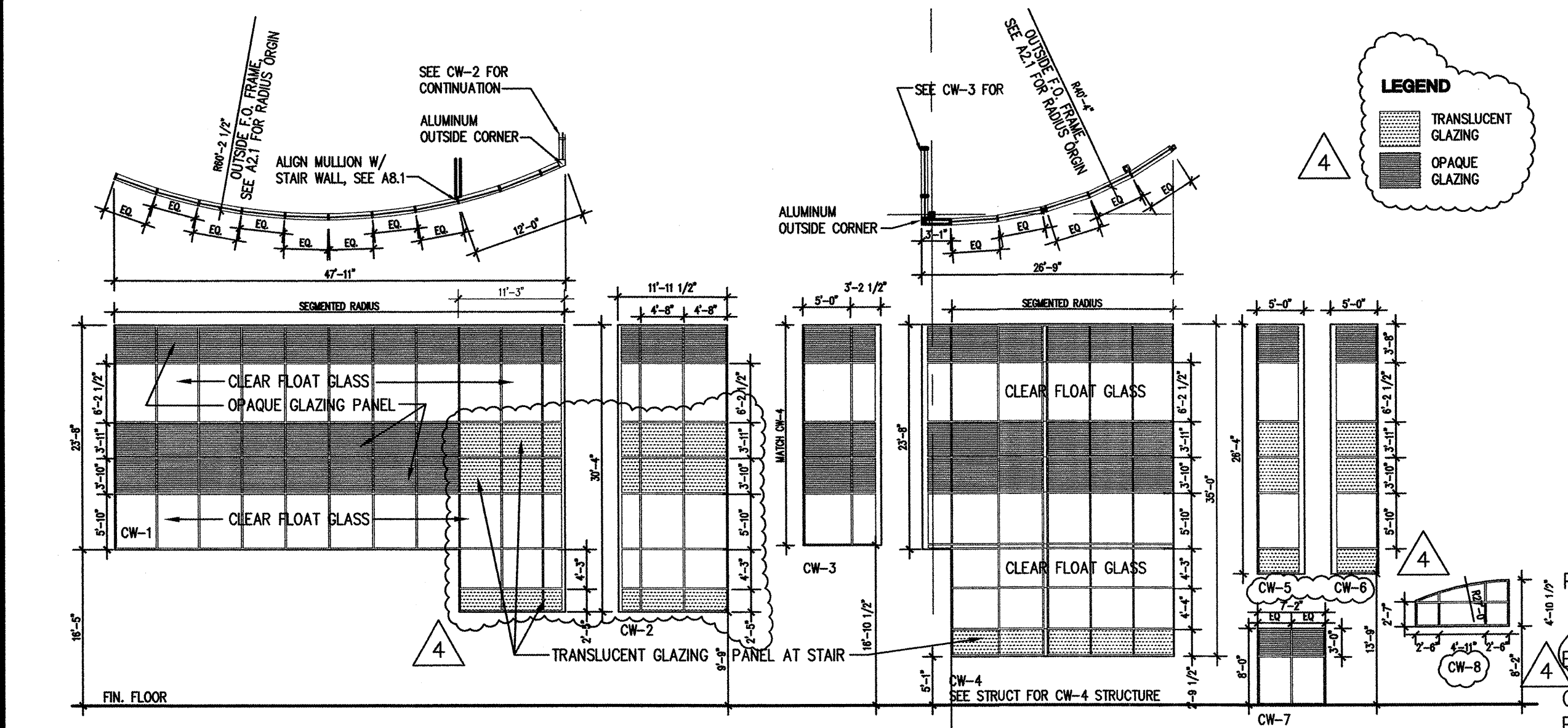


1 SOUTHWEST ELEVATION

SCALE: 1/8" = 1'-0"

2 SOUTH ELEVATION

SCALE: 1/8" = 1'-0"

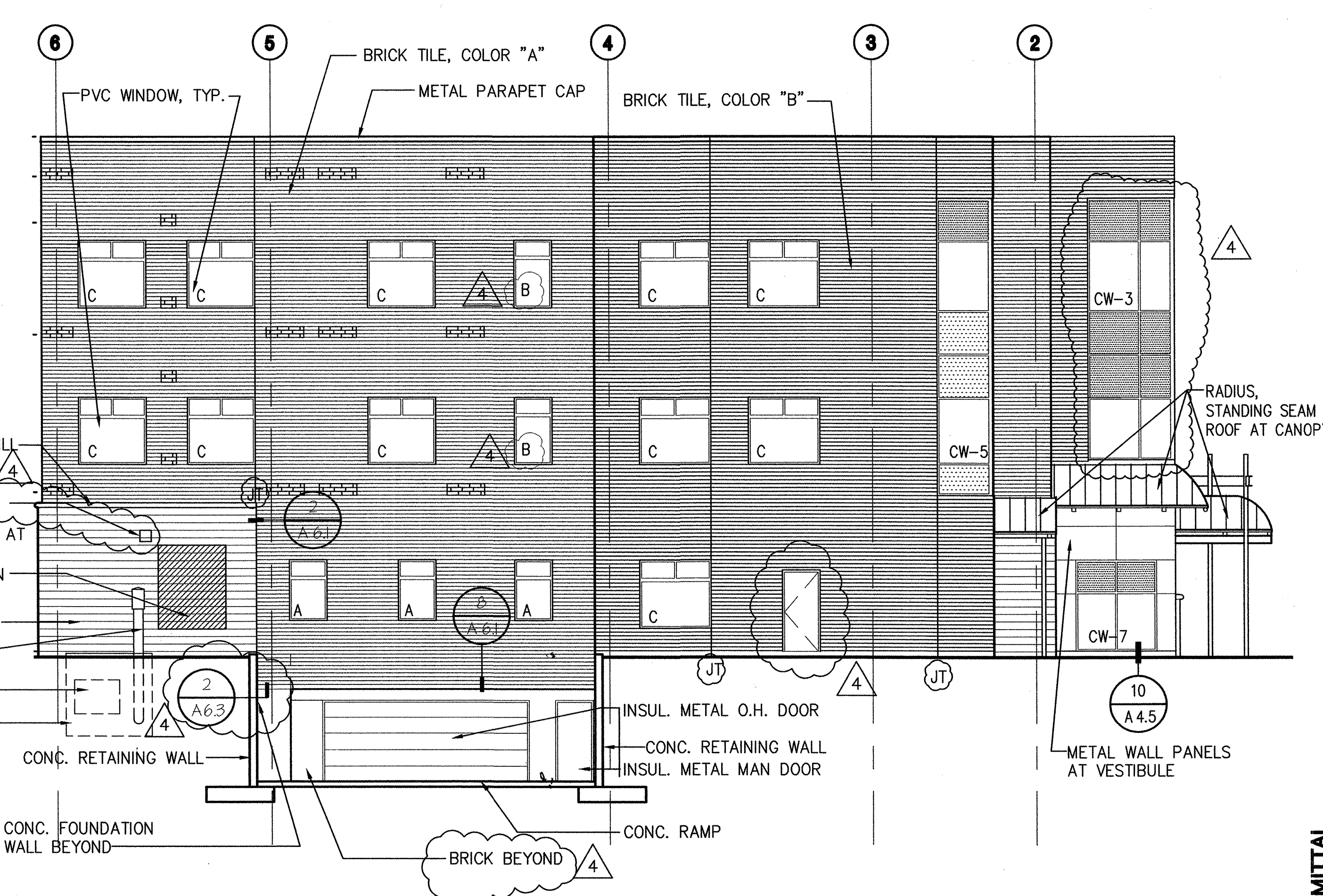


4 CURTAIN WALL TYPES

NTS

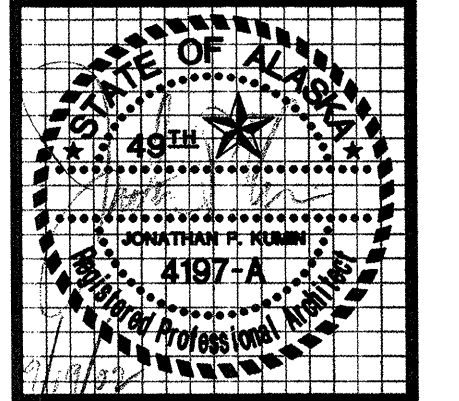
5 PVC WINDOW TYPES

SCALE: 1/8" = 1'-0"



3 EAST ELEVATION

SCALE: 1/8" = 1'-0"



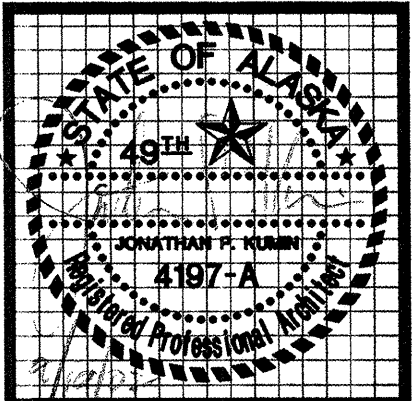
kumin associates, inc.
architects • planners • interior designers
2007 University Ave SE #200
Minneapolis, Minnesota 55414
612.379.9233 Fax: 612.379.9263
<http://www.kjquint.com>

Sjoquist Architects, Inc.
2007 University Ave SE #200
Minneapolis, Minnesota 55414
612.379.9233 Fax: 612.379.9263
<http://www.sjoquist.com>

SOUTHCENTRAL FOUNDATION
NEW CLINIC FOR
DENTAL, OPTOMETRY and BEHAVIORAL HEALTH
TUDOR RD. and TUDOR CENTER DRIVE, ANCHORAGE, ALASKA

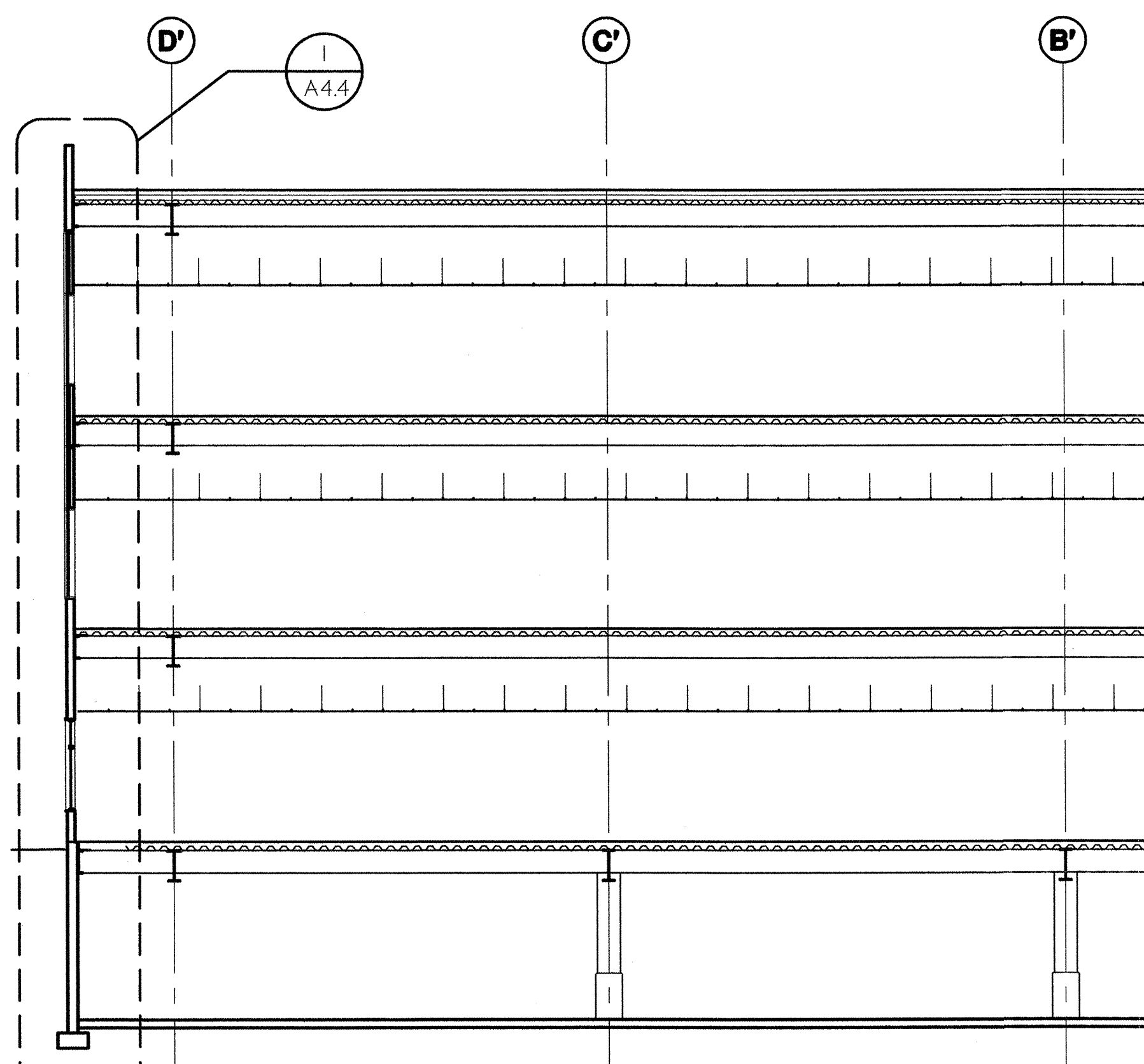
drawn	O, JS
checked	DB, JS
date	9-17-02
revisions	
1	6-3-02 E&F
2	7-8-02 C&S
3	8-15-02 GEN REVS
4	8-26-02 95%
5	9-17-02 100%
job no.	20152
dwg title	EXTERIOR ELEVATIONS WINDOW TYPES CURTAINWALL TYPES
sheet no.	A4.2

100% SUBMITTAL

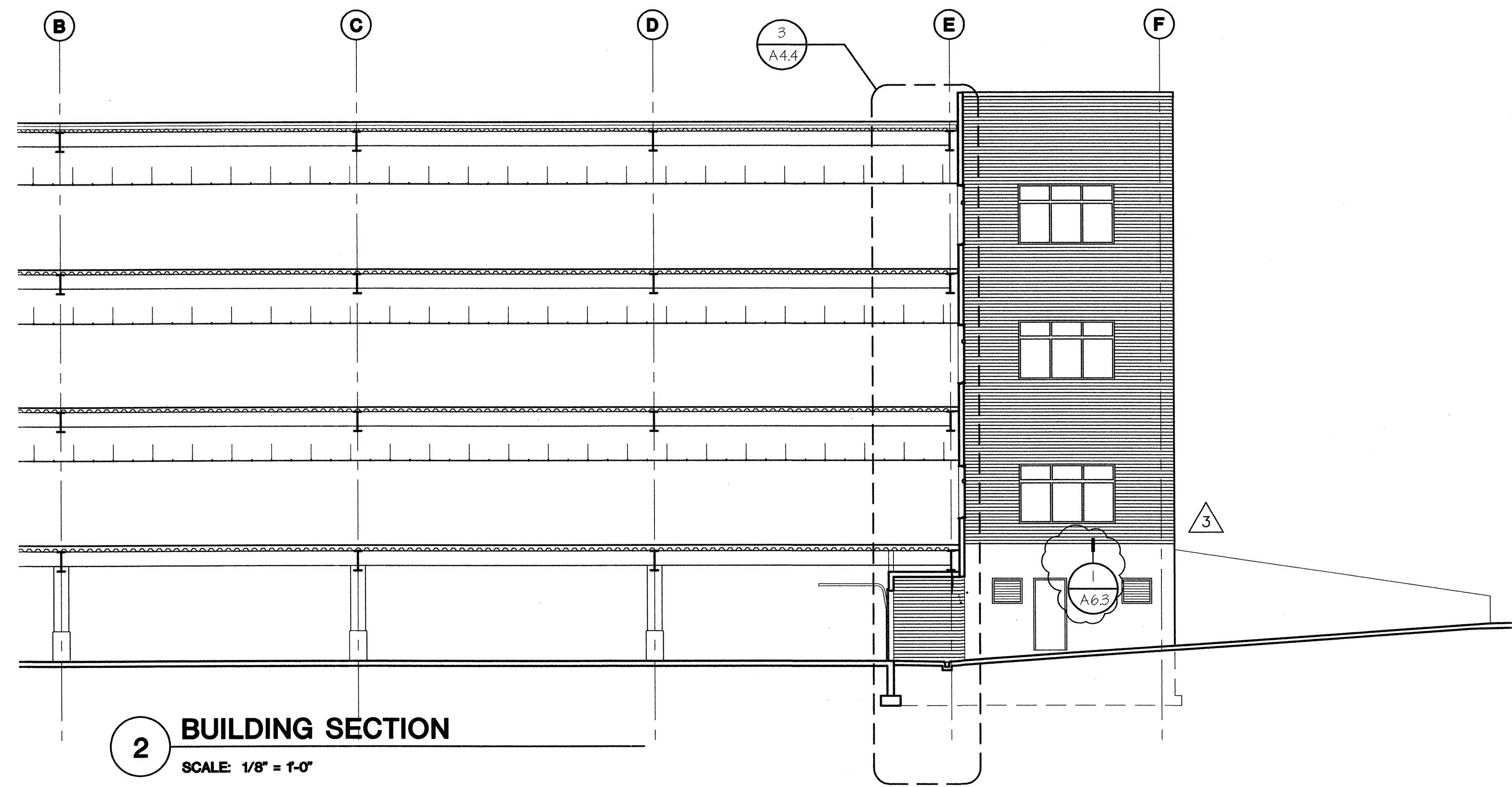


kumin associates, inc.
 architects • planners • interior designers

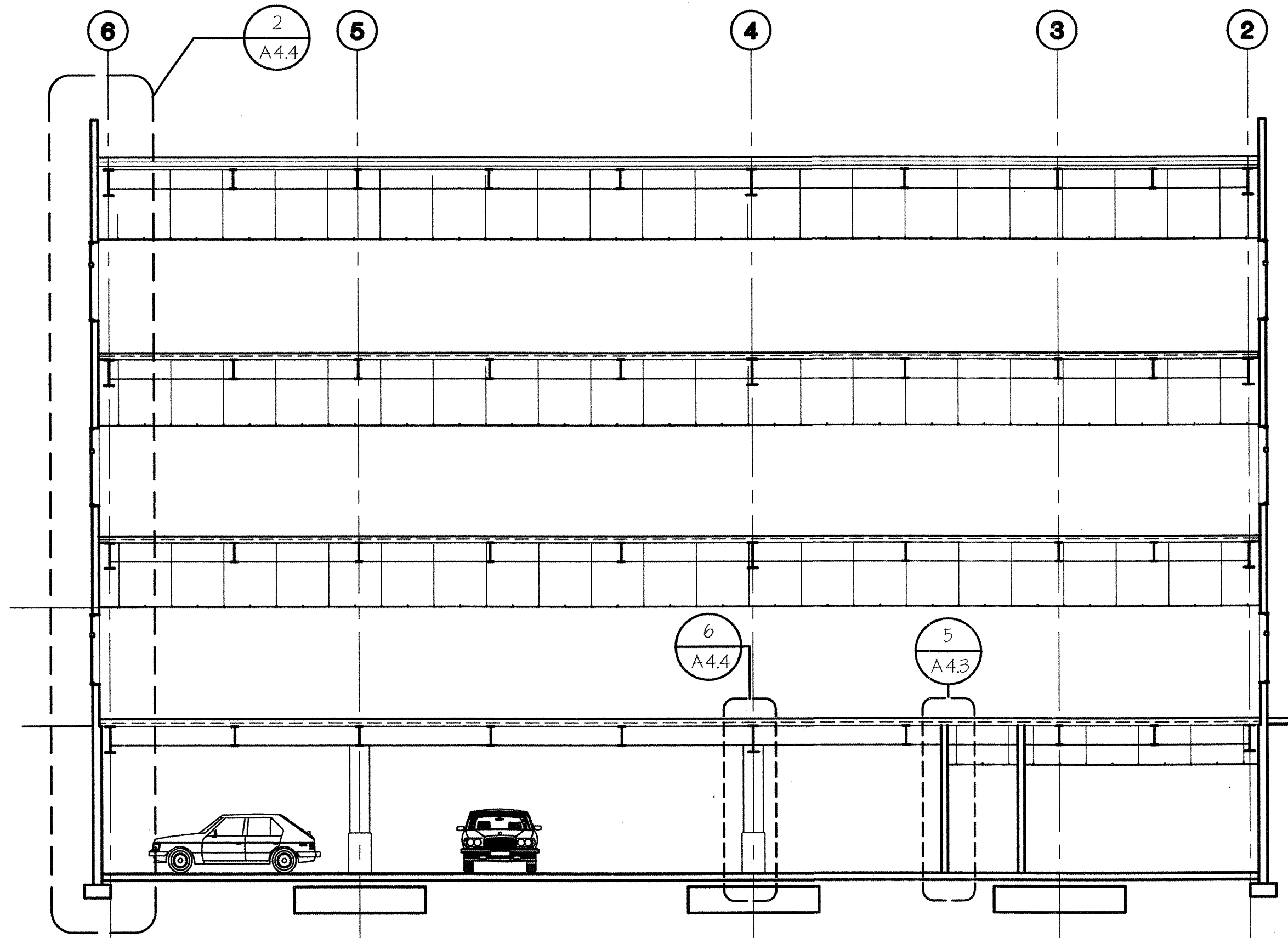
Sjoquist Architects, Inc.
 Minneapolis, Minnesota 55414
 2001 University Ave SE #200
 612.379.9233 Fax 612.379.9263
<http://www.sjoquist.com>



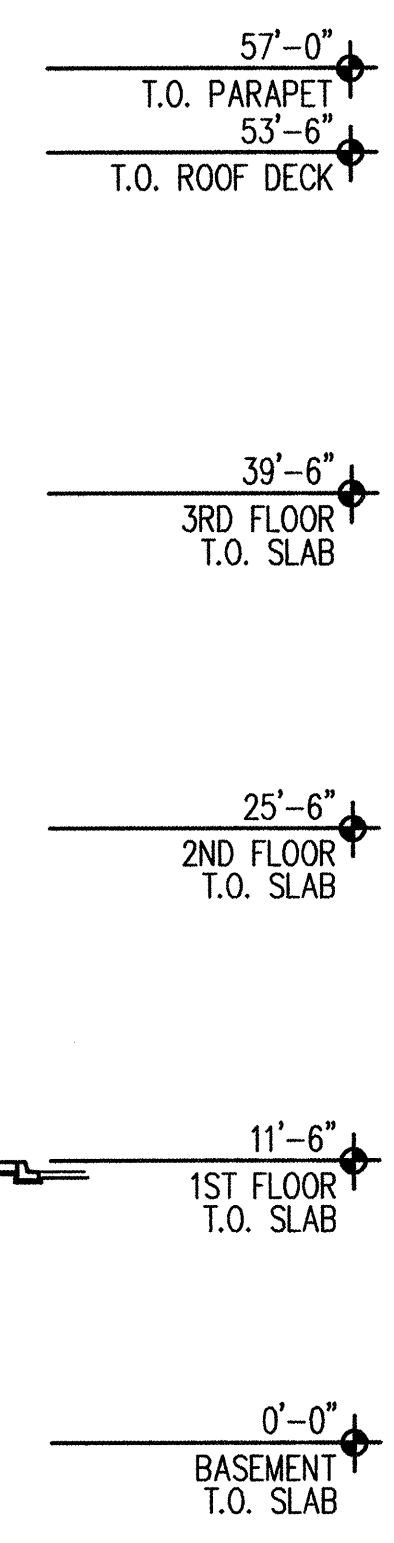
1 BUILDING SECTION
 SCALE: 1/8" = 1'-0"



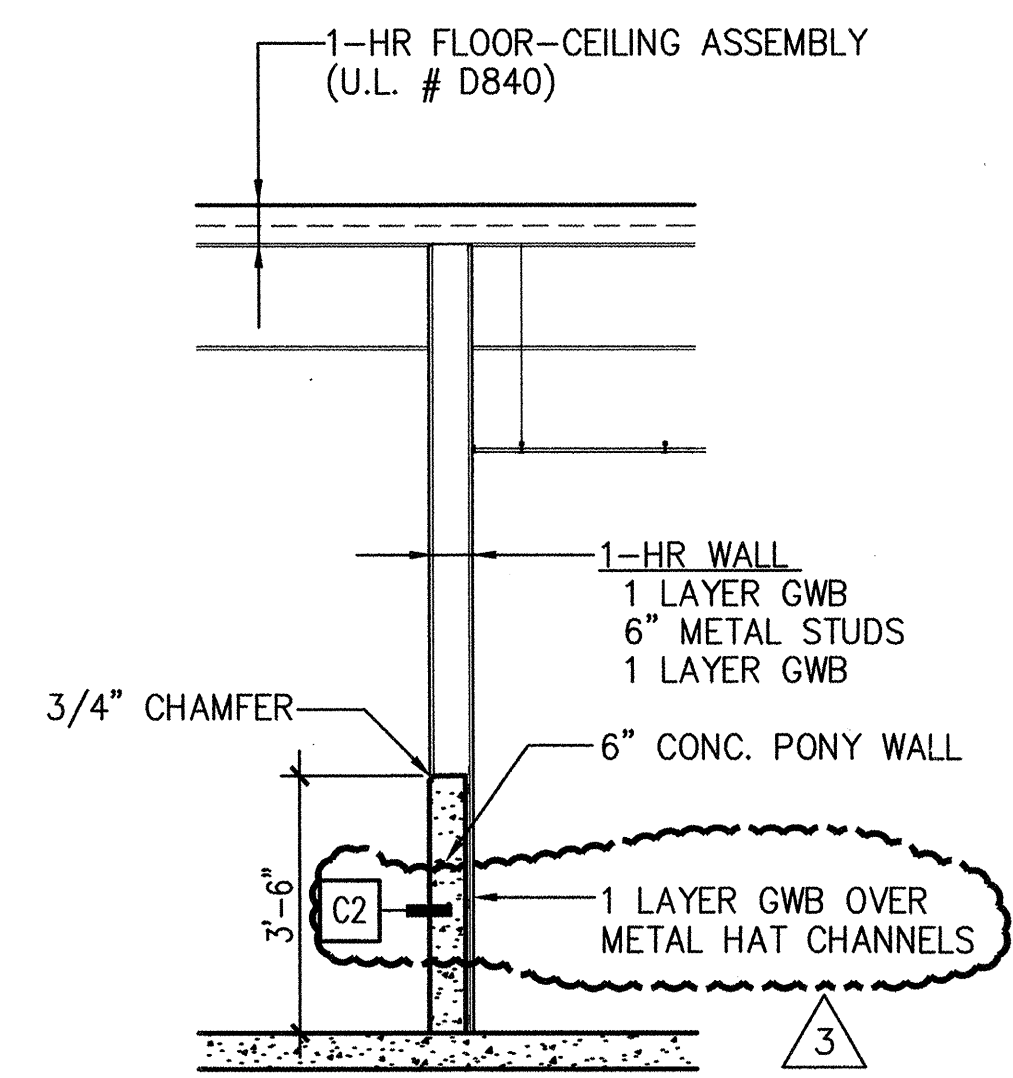
2 BUILDING SECTION
 SCALE: 1/8" = 1'-0"



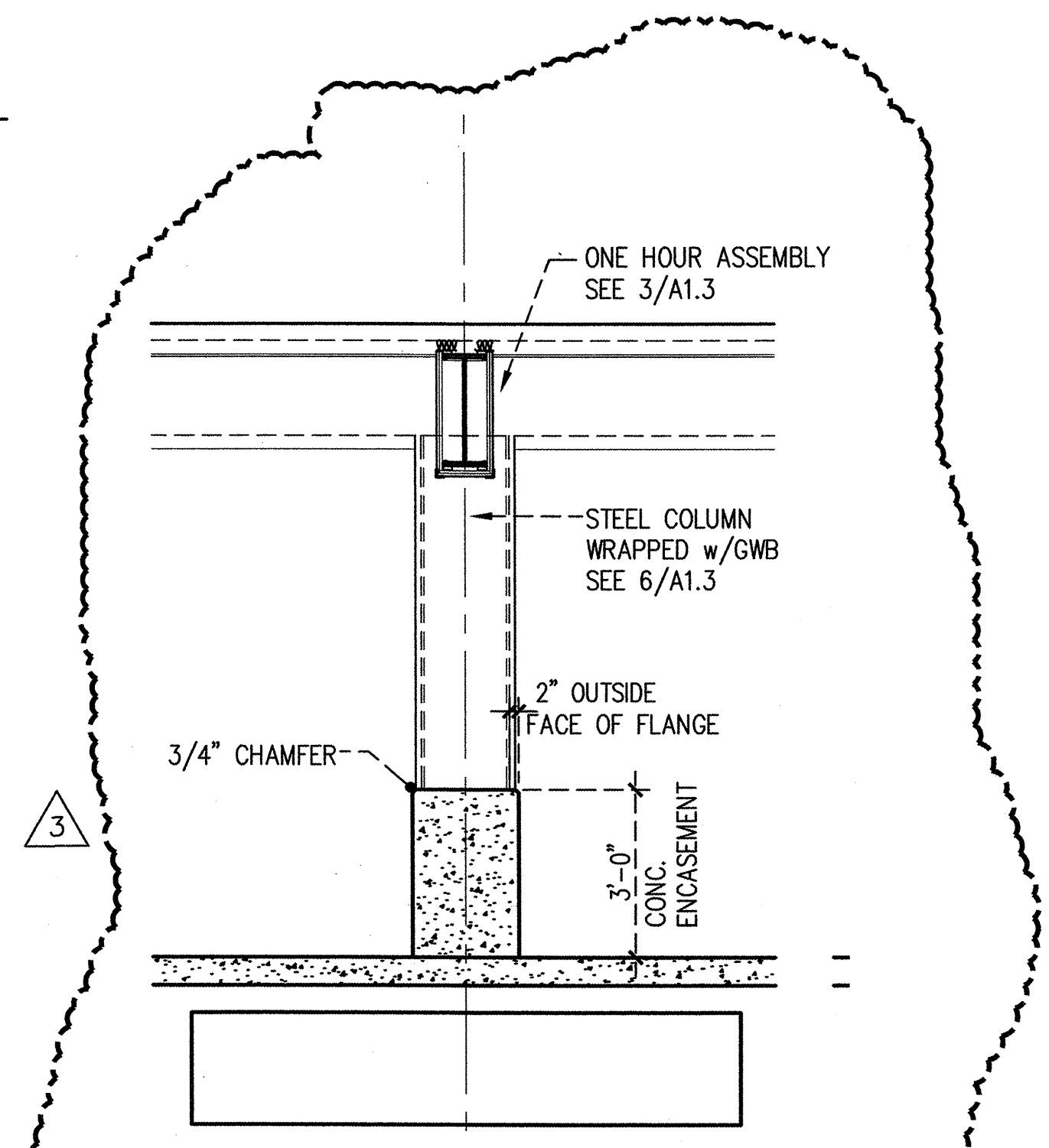
3 BUILDING SECTION
 SCALE: 1/8" = 1'-0"



4 not used
 SCALE: 3/8" = 1'-0"



5 WALL SECTION
 SCALE: 3/8" = 1'-0"

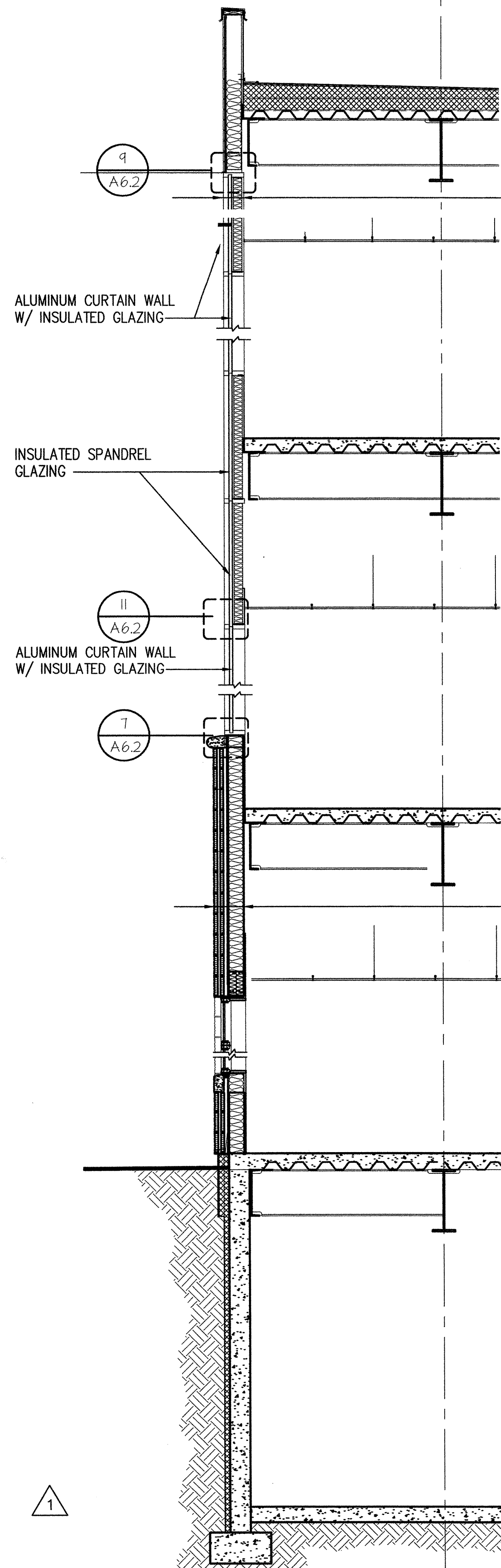


6 COLUMN DETAIL
 SCALE: 3/8" = 1'-0"

SOUTHCENTRAL FOUNDATION
 NEW CLINIC FOR
 DENTAL, OPTOMETRY and BEHAVIORAL HEALTH
 TUDOR RD. and TUDOR CENTER DRIVE ANCHORAGE ALASKA

drawn	J.S.
checked	D.B., J.S.
date	9-17-02
revisions	
△	6-10-02 F&E
△	7-8-02 S&C
△	8-26-02 95%
△	9-17-02 100%
job no.	20152
dwg. title	BUILDING SECTIONS
sheet no.	A4.3

100% SUBMITTAL



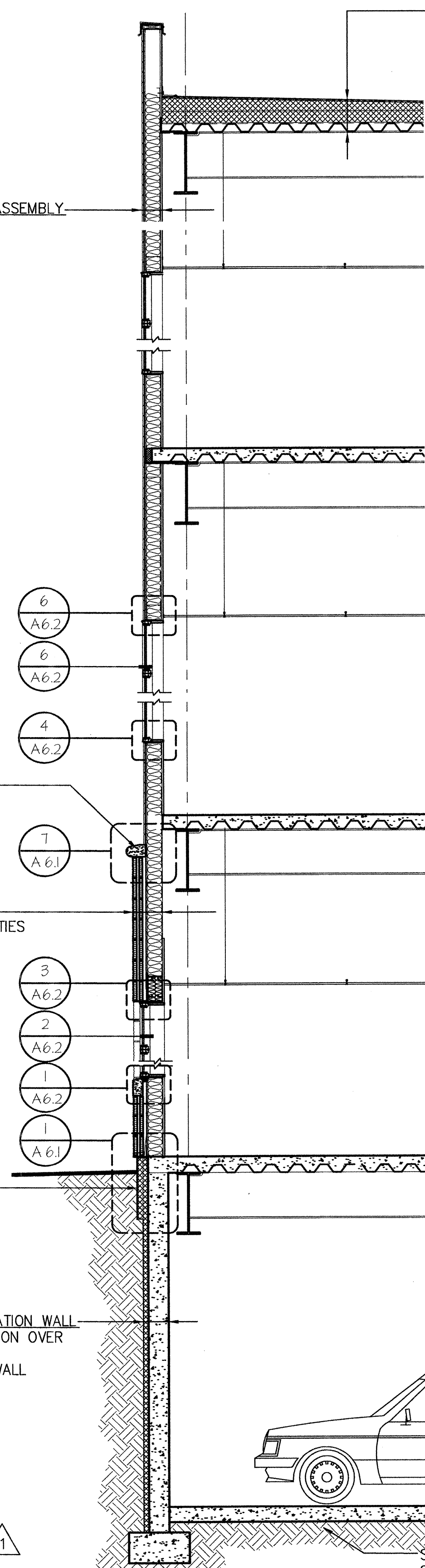
TYPICAL BRICK TILE WALL ASSEMBLY:
 1/2" BRICK TILE ON
 LATEX MORTAR SYSTEM ON
 CEMENT BACKER BOARD
 METAL STUDS @ 16" O.C.
 BATT INSULATION
 VAPOR RETARDER
 GWB

PRE-CAST CONCRETE SILL

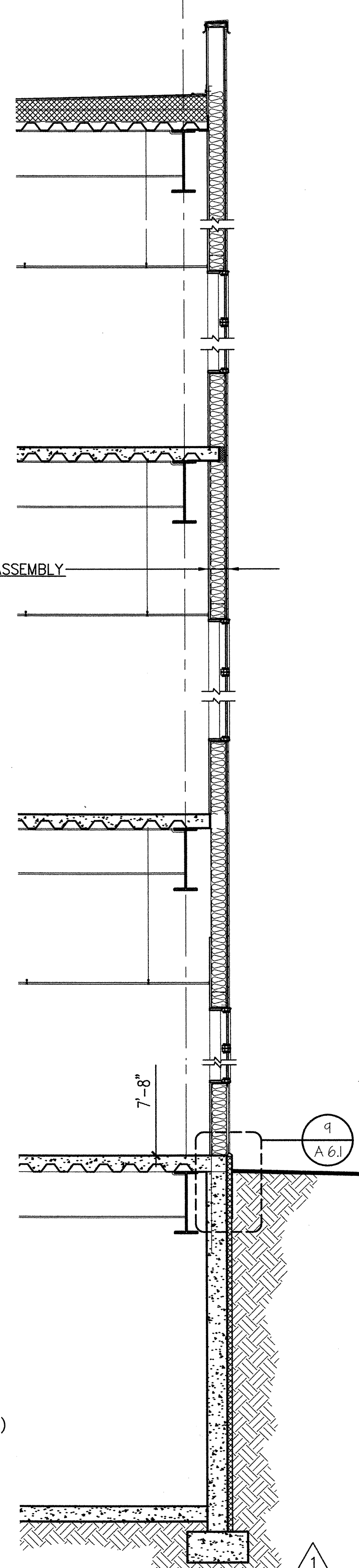
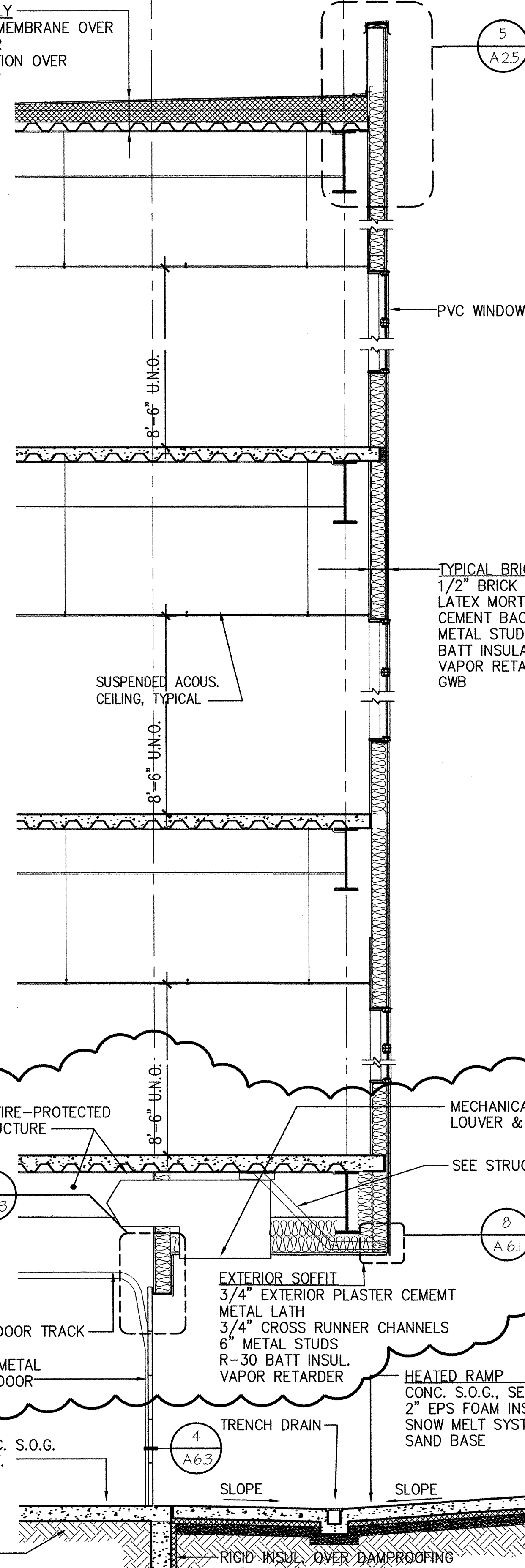
TYP. CMU VENEER WALL:
 4" CMU VENEER W/ WALL TIES
 STEEL LEDGER ANGLES
 (SEE STRUCTURAL)
 AIR SPACE
 AIR INFILTRATION BARRIER
 EXTERIOR SHEATHING
 6" METAL STUDS
 BATT INSULATION
 VAPOR RETARDER
 GWB

BASE FLASHING

TYPICAL BASEMENT FOUNDATION WALL:
 RIGID FOUNDATION INSULATION OVER
 DAMPROOFING ON
 C.I.P. CONC. FOUNDATION WALL



TYPICAL ROOF ASSEMBLY:
 MECH. FASTENED PVC MEMBRANE OVER
 RECOVERY BOARD OVER
 TAPERED RIGID INSULATION OVER
 VAPOR RETARDER OVER
 METAL DECK ON
 ROOF SHEATHING ON
 STEEL STRUCTURE

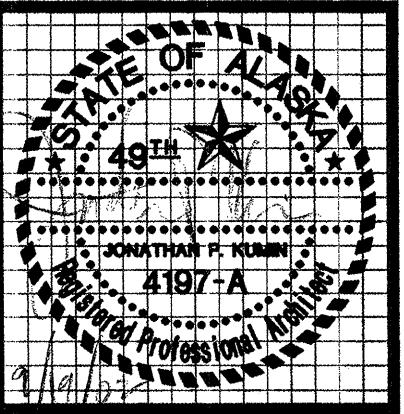


1 WALL SECTION, 60' RADIUS CURTAIN WALL
 SCALE: 3/8" = 1'-0"

2 WALL SECTION, CMU BASE
 SCALE: 3/8" = 1'-0"

3 EAST WALL SECTION
 3/8" = 1'-0"

4 WALL SECTION
 3/8" = 1'-0"



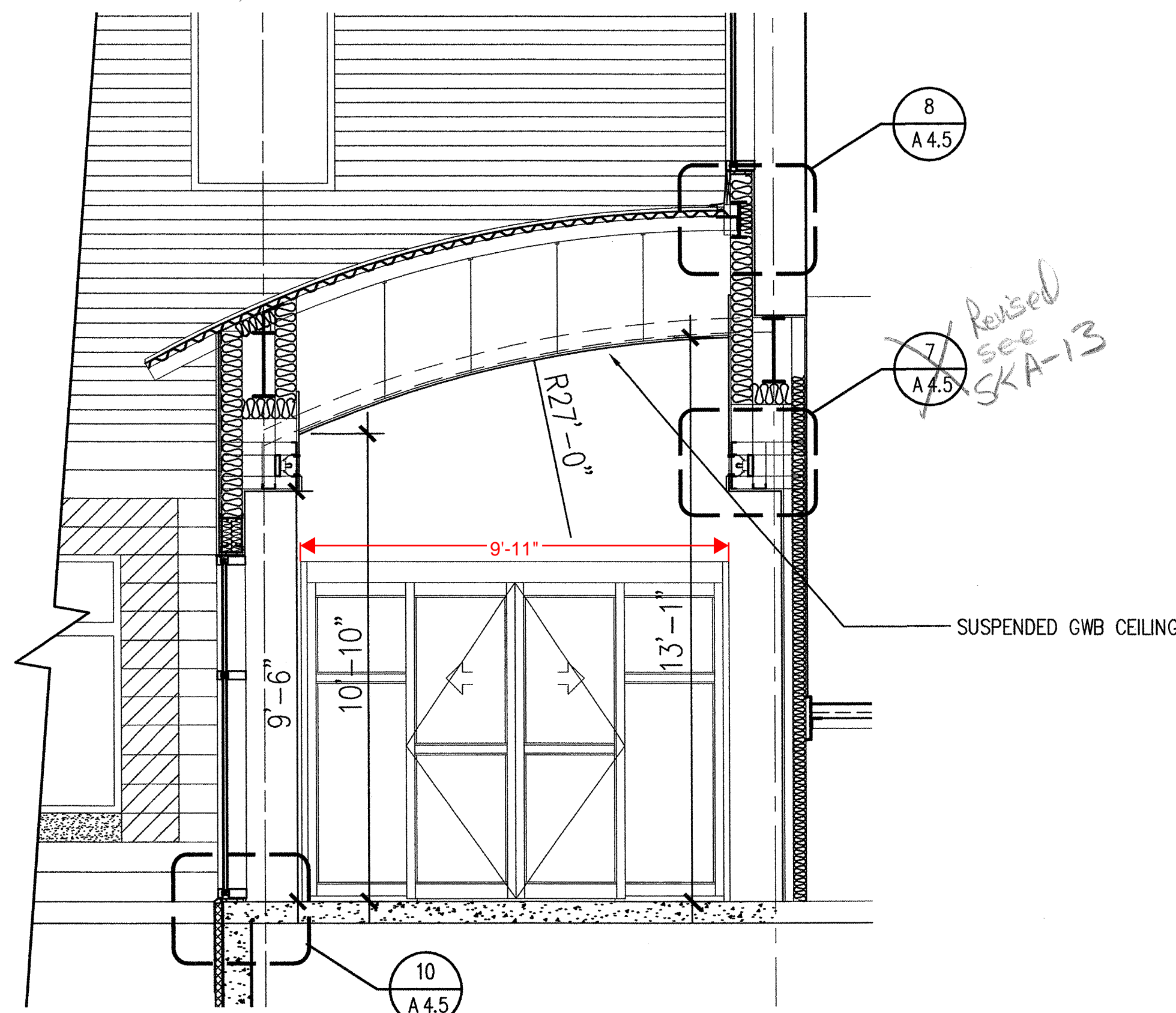
kumin associates, inc.
 architects • planners • interior designers

Sjoquist Architects, Inc.
 2007 University Ave SE #200
 Minneapolis, Minnesota 55414
 612.379.9233 Fax: 612.379.9263
<http://www.sjoquist.com>

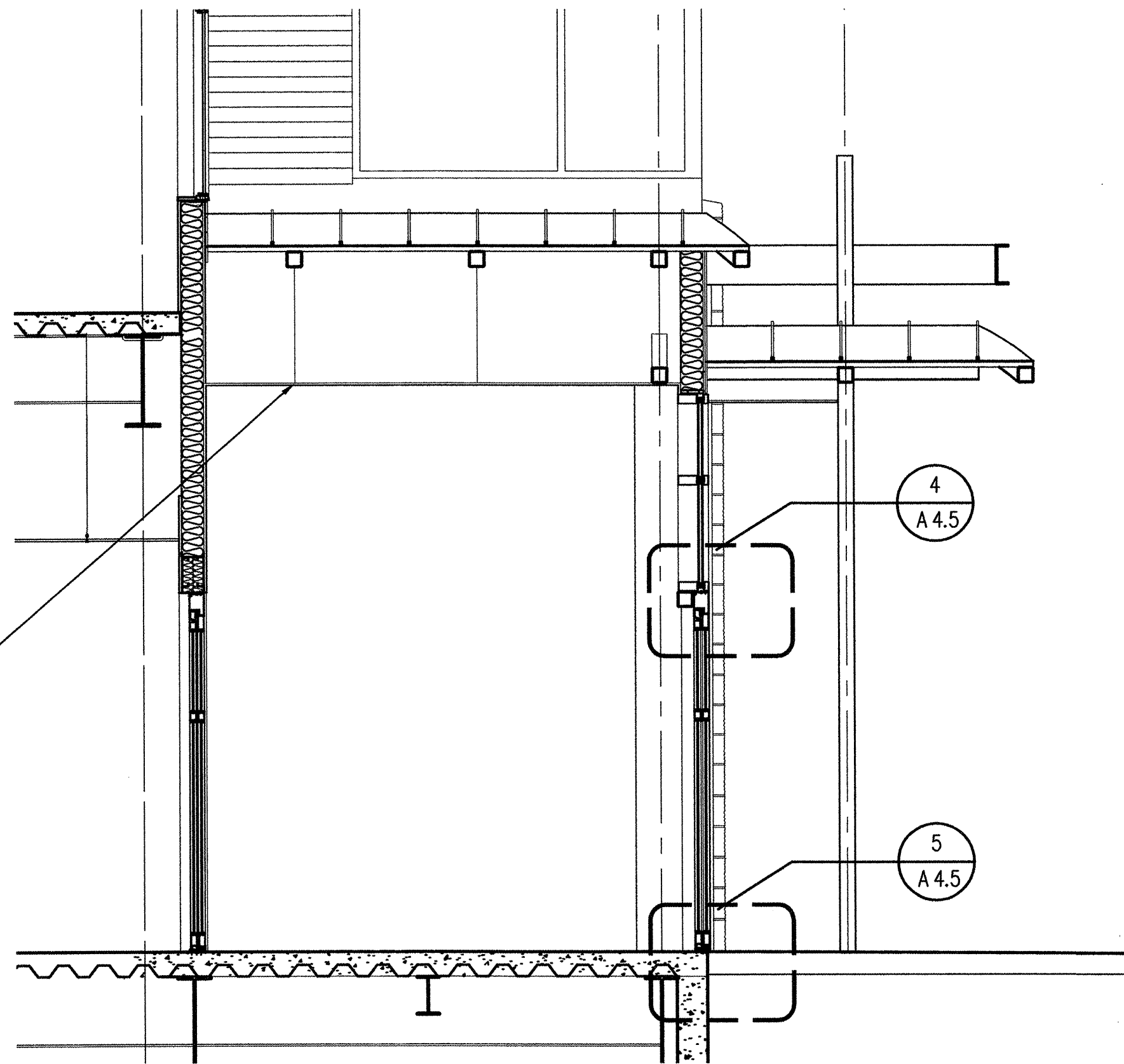
SOUTHCENTRAL FOUNDATION
 NEW CLINIC FOR
 DENTAL, OPTOMETRY and BEHAVIORAL HEALTH
 TUDOR RD. and TUDOR CENTER DRIVE ANCHORAGE ALASKA

drawn	JIS
checked	DB, JIS
date	9-17-02
revisions	
1	6-10-02 F&F
2	7-8-02 S&C
3	8-26-02 95%
4	9-17-02 100%
job no.	20152
dwg. title	WALL SECTIONS
sheet no.	A4.4

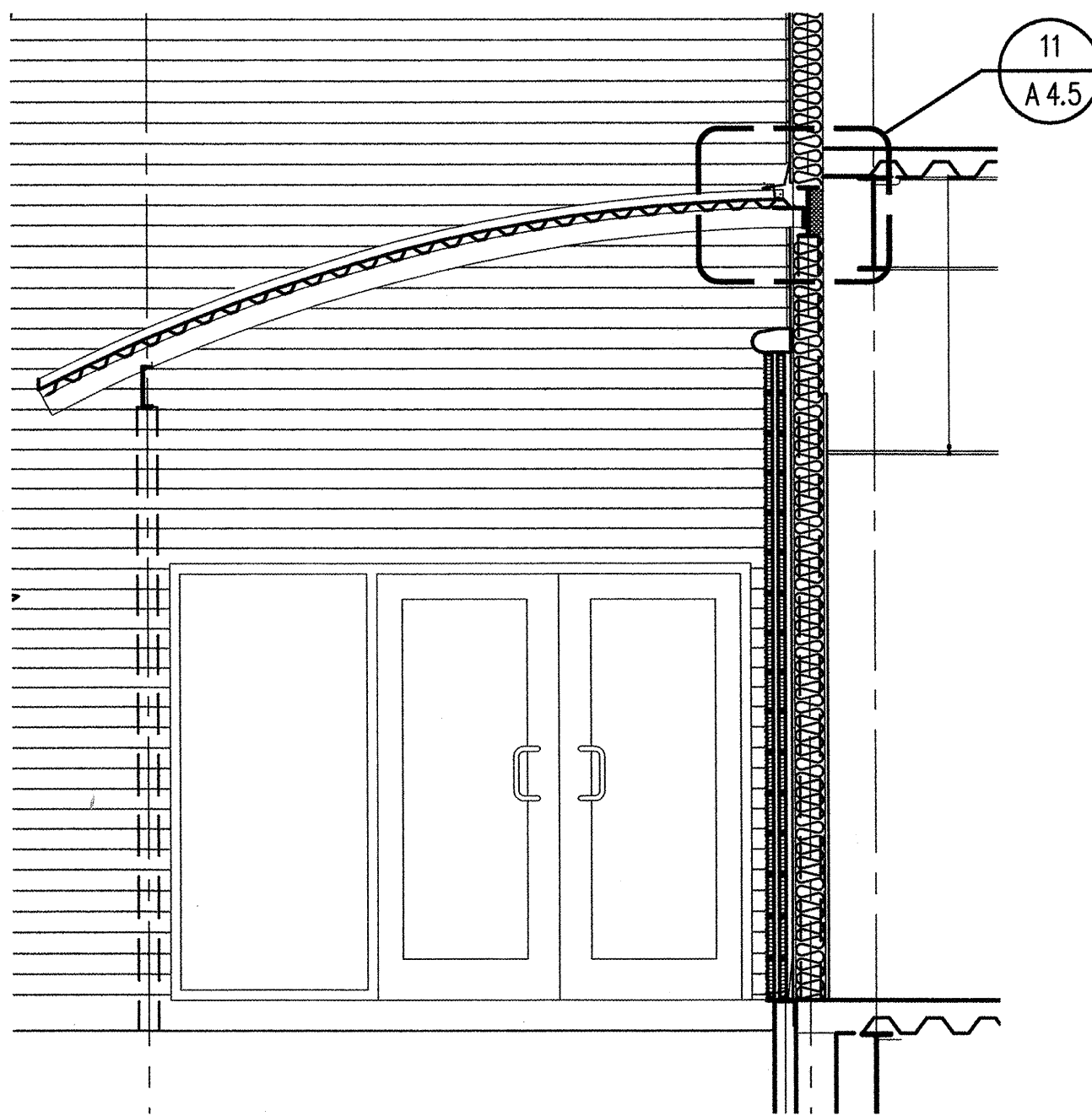
100% SUBMITTAL



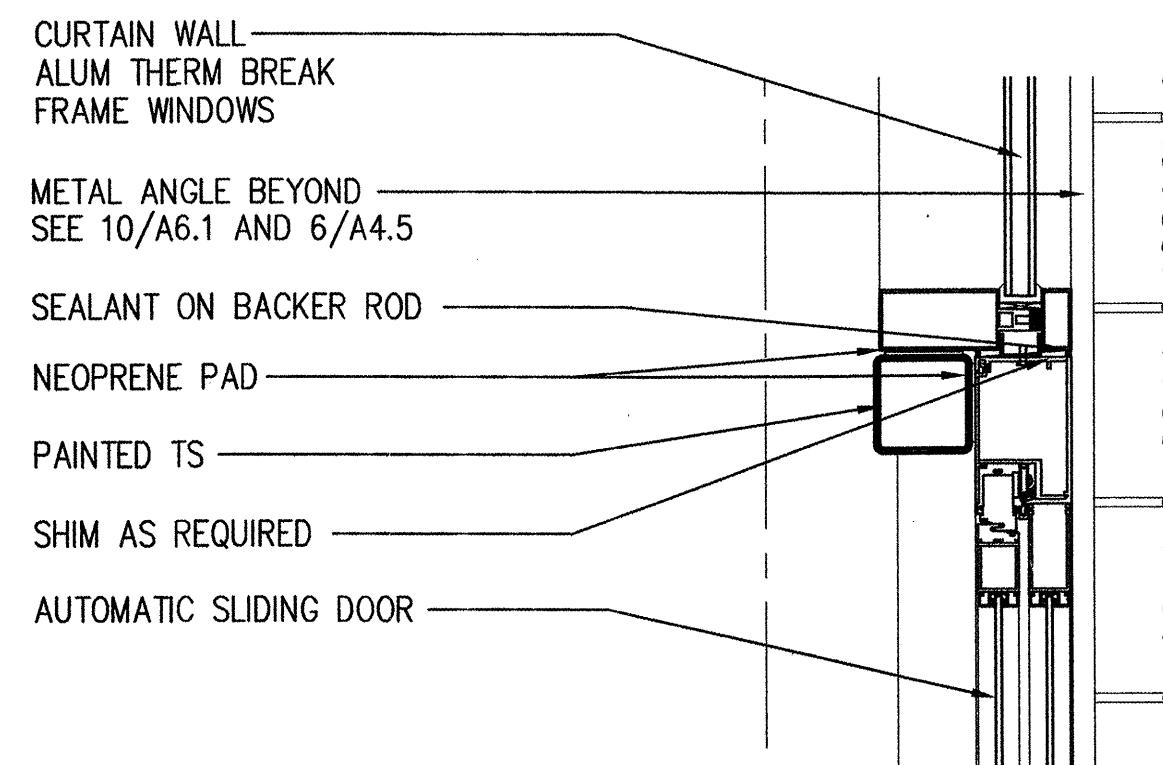
1 WEST VESTIBULE SECTION
SCALE: 3/8" = 1'-0"



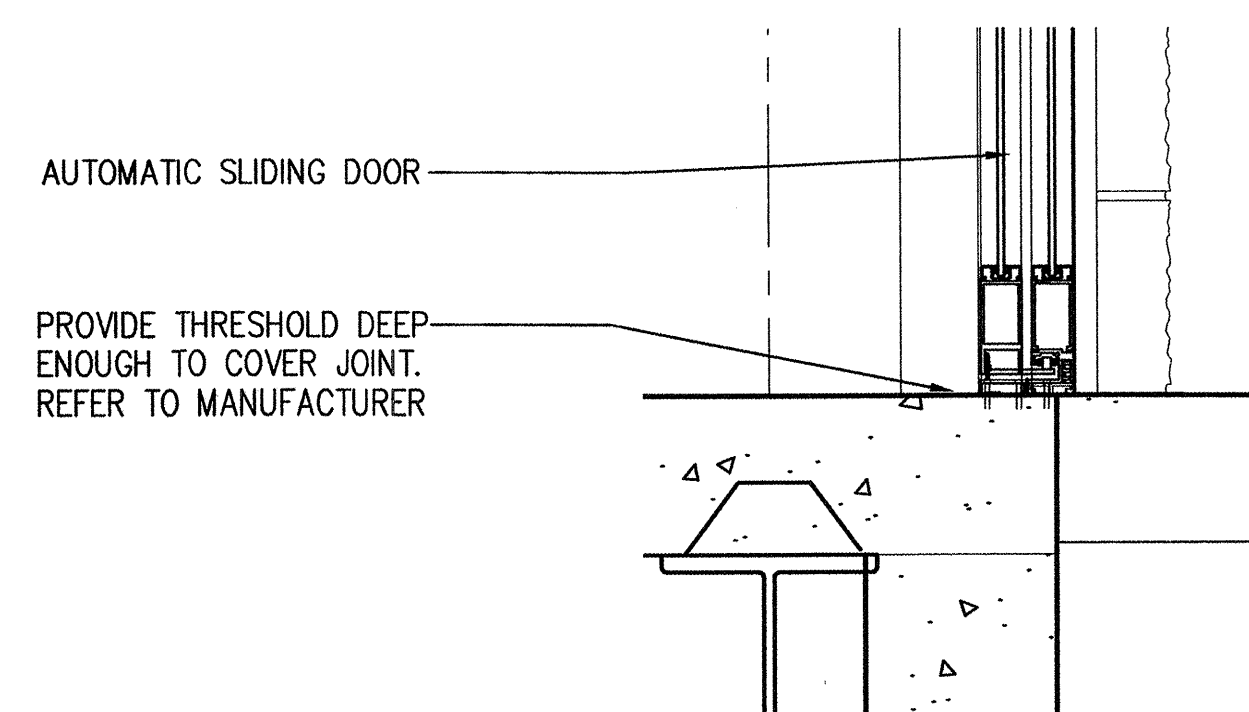
2 WEST VESTIBULE SECTION
SCALE: 3/8" = 1'-0"



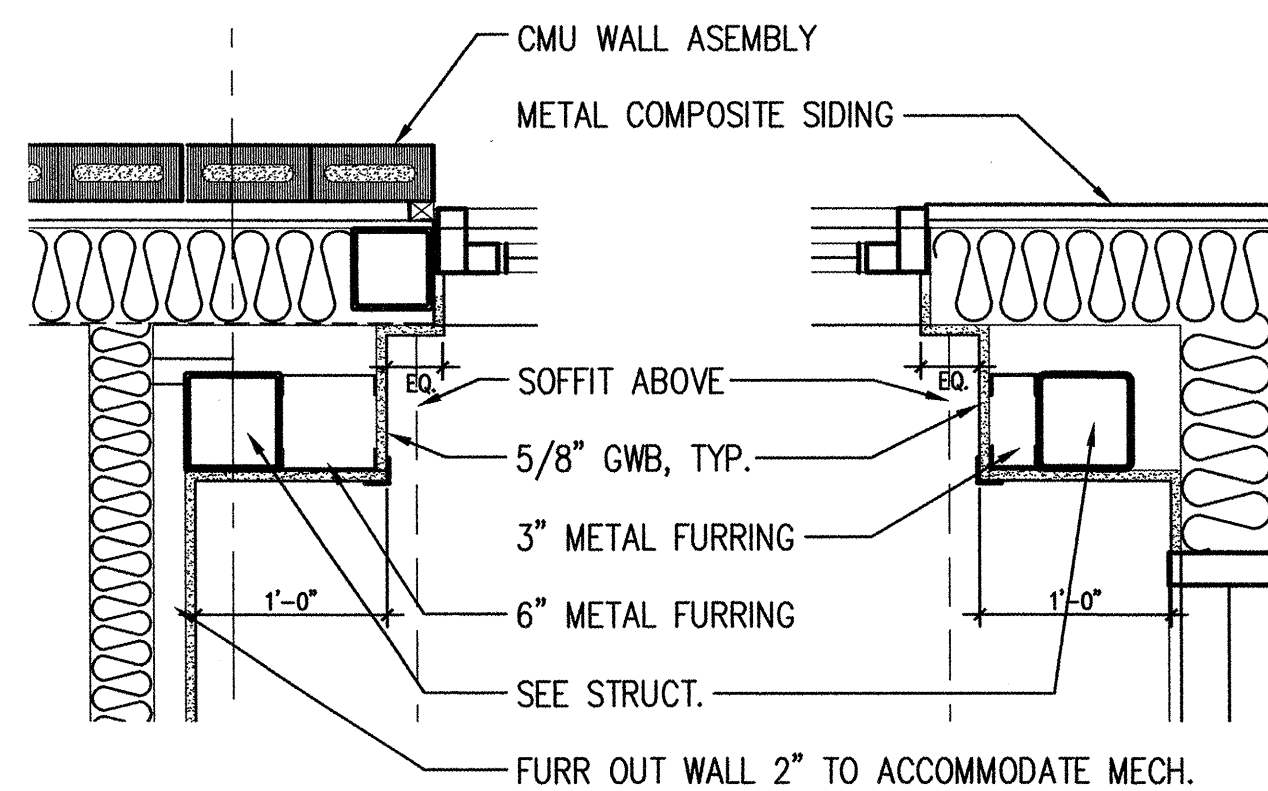
3 EAST VESTIBULE SECTION
SCALE: 3/8" = 1'-0"



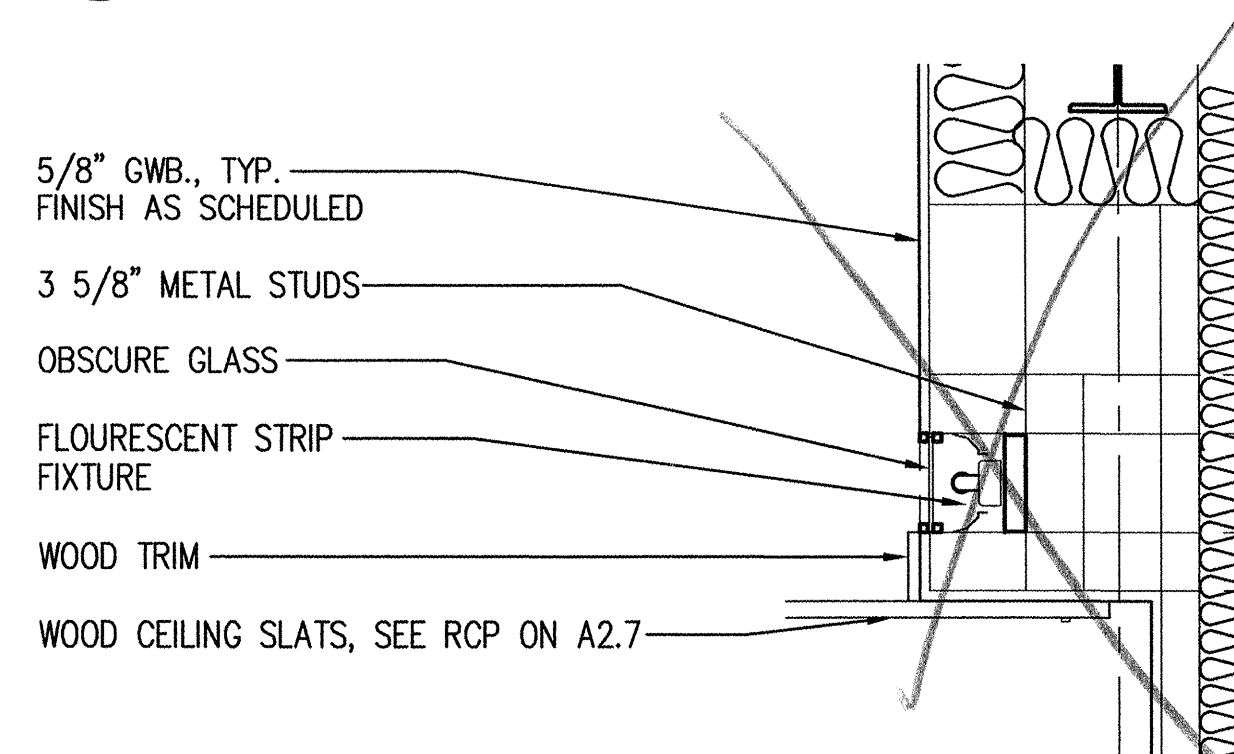
4 DOOR TO CURTAIN WALL DETAIL
SCALE: 1 1/2" = 1'-0"



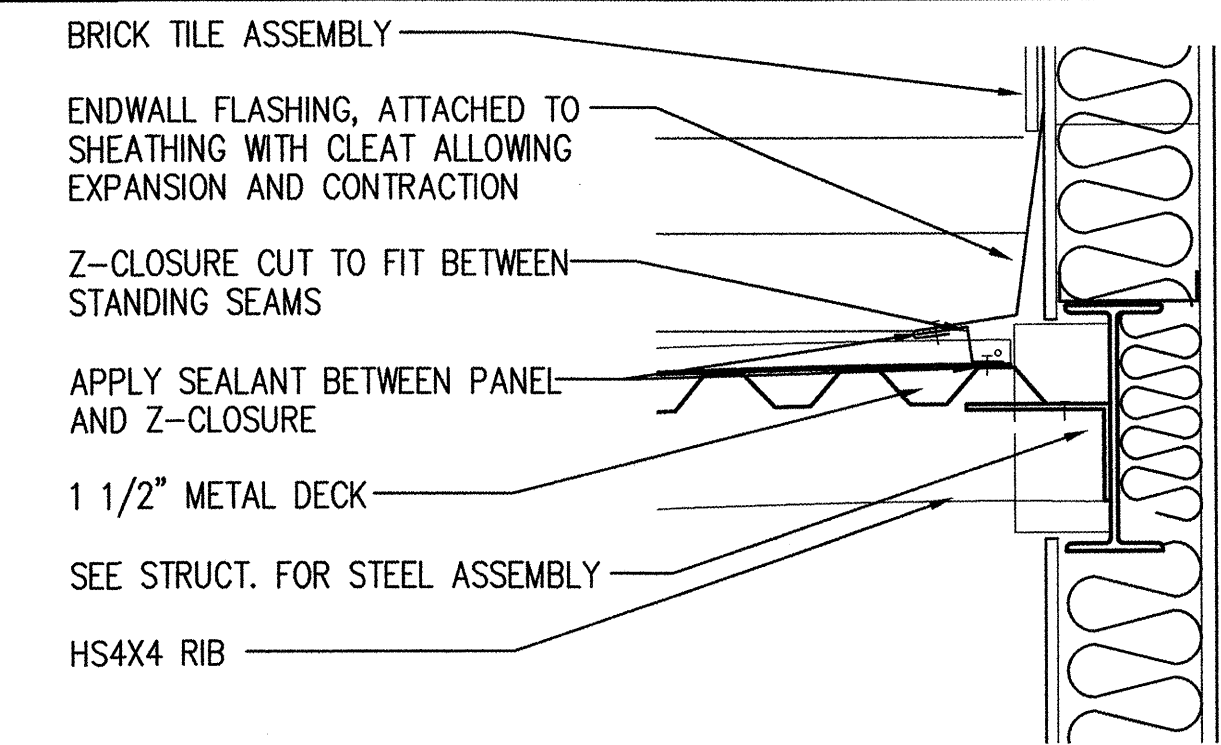
5 SLIDING DOOR DETAIL
SCALE: 1 1/2" = 1'-0"



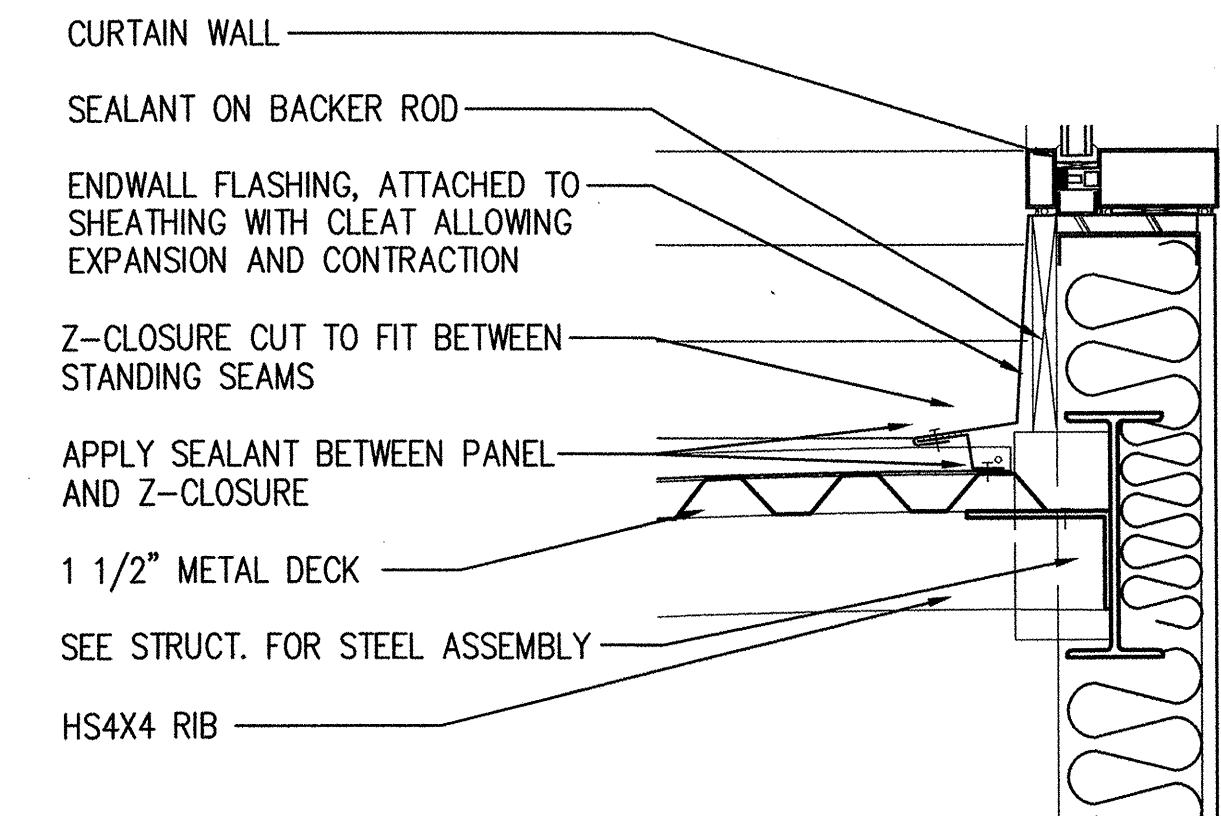
6 COLUMN DETAIL
SCALE: 1 1/2" = 1'-0"



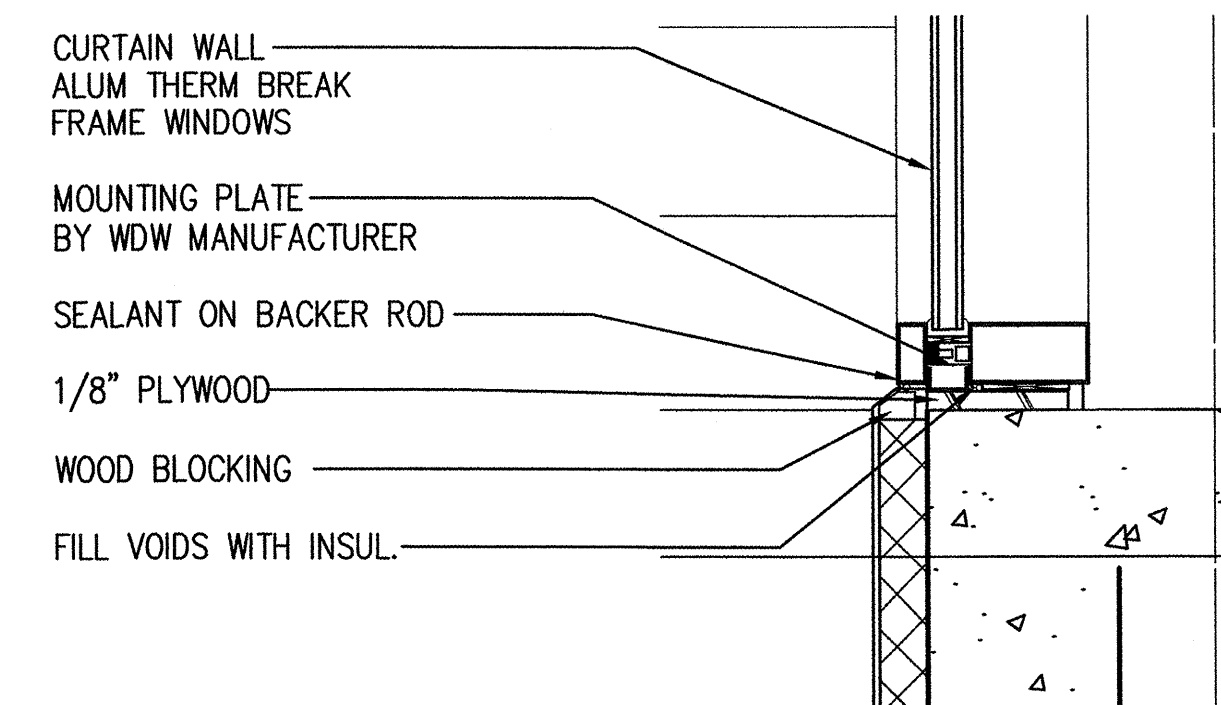
7 SOFFIT DETAIL
SCALE: 1 1/2" = 1'-0"



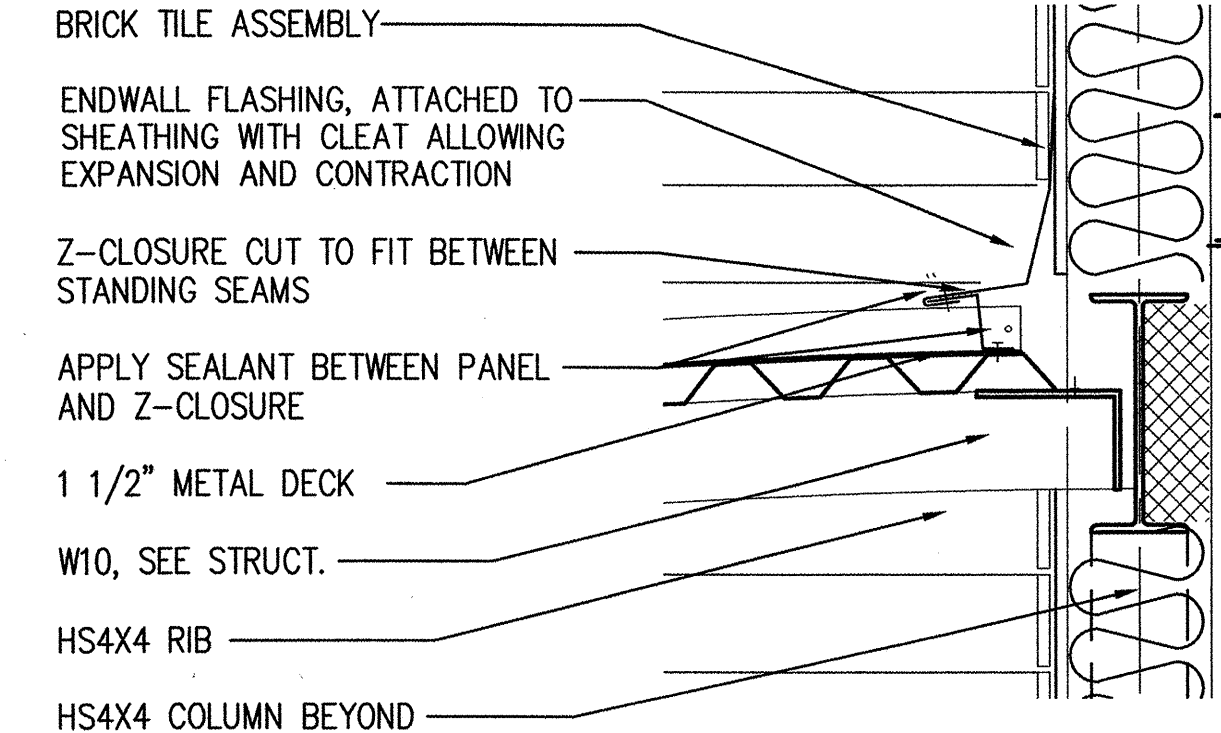
8 DETAIL UPPER CANOPY @ BRICK
SCALE: 1 1/2" = 1'-0"



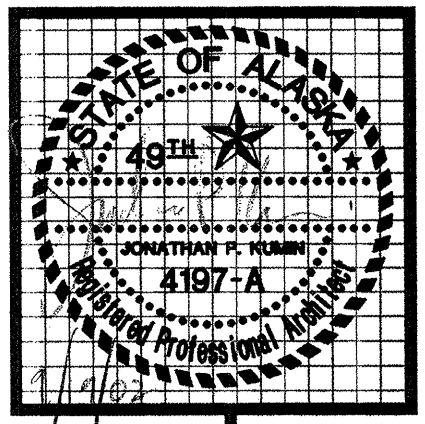
9 DETAIL UPPER CANOPY @ CW
SCALE: 1 1/2" = 1'-0"



10 CURTAIN WALL DETAIL
SCALE: 1 1/2" = 1'-0"



11 DETAIL EAST CANOPY
SCALE: 1 1/2" = 1'-0"



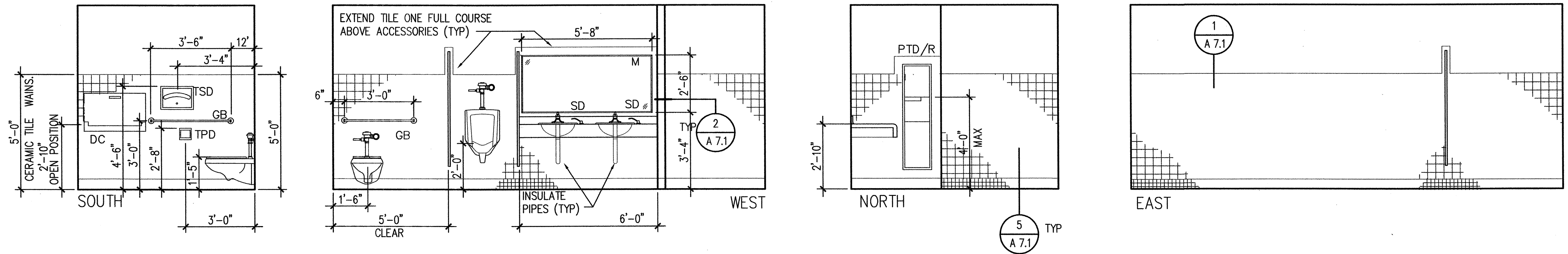
kumin associates, inc.
architects • planners • interior designers
2001 University Ave SE #200
Minneapolis, Minnesota 55414
612.379.9233 Fax 612.379.9263
http://www.kumin.com

Sjoquist Architects, Inc.
2001 University Ave SE #200
Minneapolis, Minnesota 55414
612.379.9233 Fax 612.379.9263
http://www.sjoquist.com

SOUTHCENTRAL FOUNDATION
NEW CLINIC FOR
DENTAL, OPTOMETRY and BEHAVIORAL HEALTH
TUDOR RD. and TUDOR CENTER DRIVE, ANCHORAGE, ALASKA

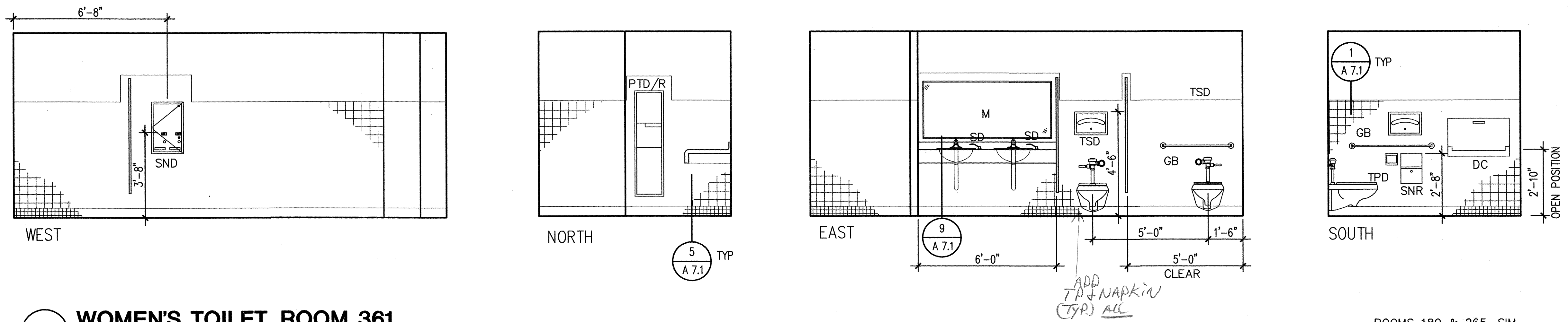
drawn	0
checked	DB, JS
date	9-17-02
revisions	
	9-17-02 100%
job no.	20152
dwg. title	WALL SECTIONS CANOPY DETAILS
sheet no.	A4.5

100% SUBMITTAL



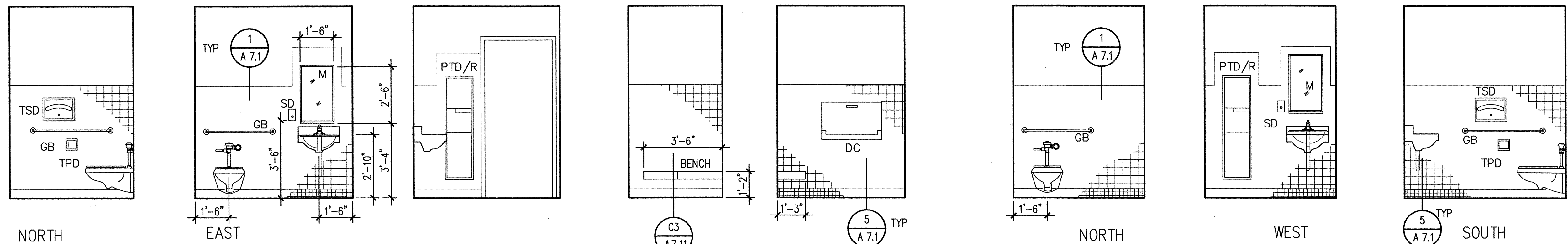
1 MEN'S TOILET, ROOM 360
 3/8" = 1'-0"

ROOMS 181 & 264 SIM.
 FOR WAINSCOT TILE PATTERN, SEE 3/A7.1.



2 WOMEN'S TOILET, ROOM 361
 3/8" = 1'-0"

ROOMS 180 & 265, SIM.
 FOR WAINSCOT TILE PATTERN, SEE 3/A7.1.



3 TOILET, ROOM 332
 3/8" = 1'-0"

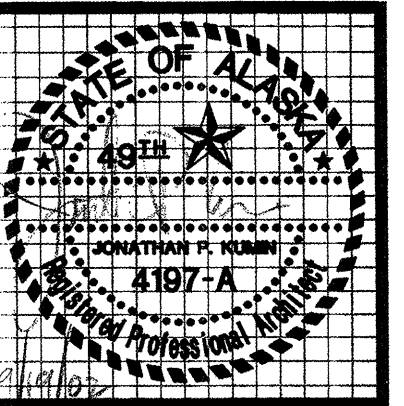
SEE 1/A5.1 FOR TYPICAL MOUNTING HEIGHTS AND GRAB BAR PLACEMENT DIMENSIONS NOT SHOWN HERE.

FOR WAINSCOT TILE PATTERN, SEE 3/A7.1.

4 TOILET, ROOM 337
 3/8" = 1'-0"

ROOMS 131, 140, 169, 220, 244, 338 & 345, SIM.

SEE 1/A5.1 & 3/A5.1 FOR TYPICAL MOUNTING HEIGHTS AND GRAB BAR PLACEMENT DIMENSIONS NOT SHOWN HERE.
 FOR WAINSCOT TILE PATTERN, SEE 3/A7.1.



kumin associates, inc.
 architects • planners • interior designers

Sjoquist Architects, Inc.
 2001 University Ave SF #200
 Minneapolis, Minnesota 55414
 612.379.9233 Fax 612.379.9263
 http://www.sjoquist.com

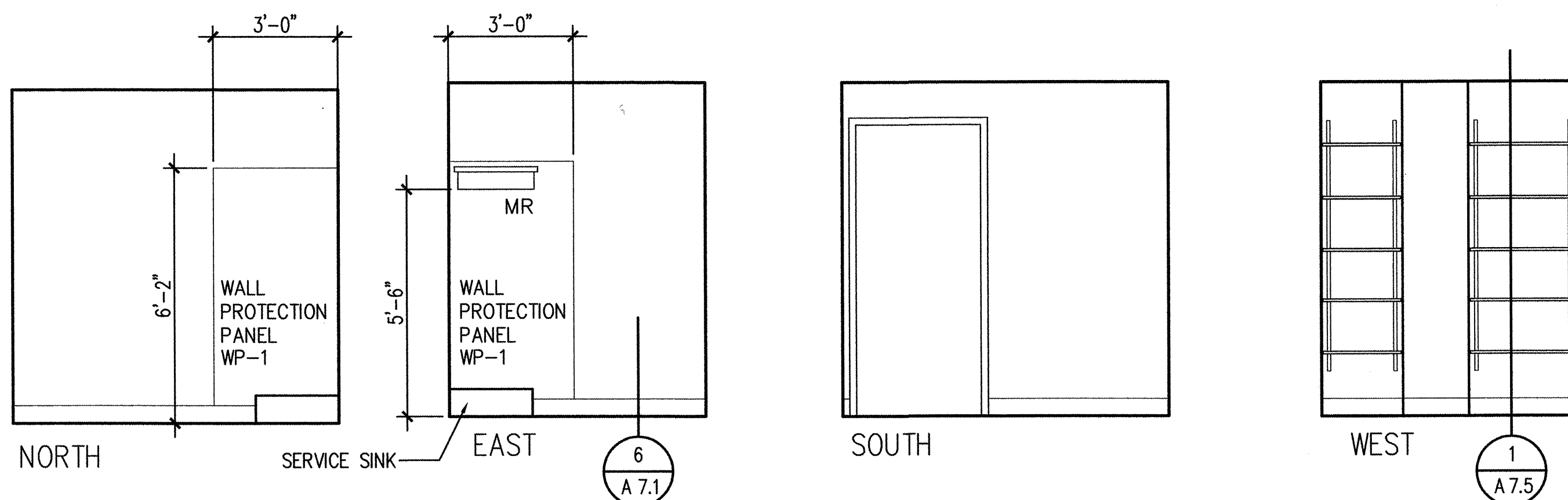
SOUTHCENTRAL FOUNDATION
 NEW CLINIC FOR
 DENTAL, OPTOMETRY and BEHAVIORAL HEALTH
 TUDOR RD. and TUDOR CENTER DRIVE, ANCHORAGE, ALASKA

drawn	SZ
checked	DB, JS
date	9-17-02
revisions	
	7-8-02 SAC
	8-26-02 JSK
job no.	20152
dwg. title	INTERIOR ELEVATIONS
sheet no.	

100% SUBMITTAL

A5.1

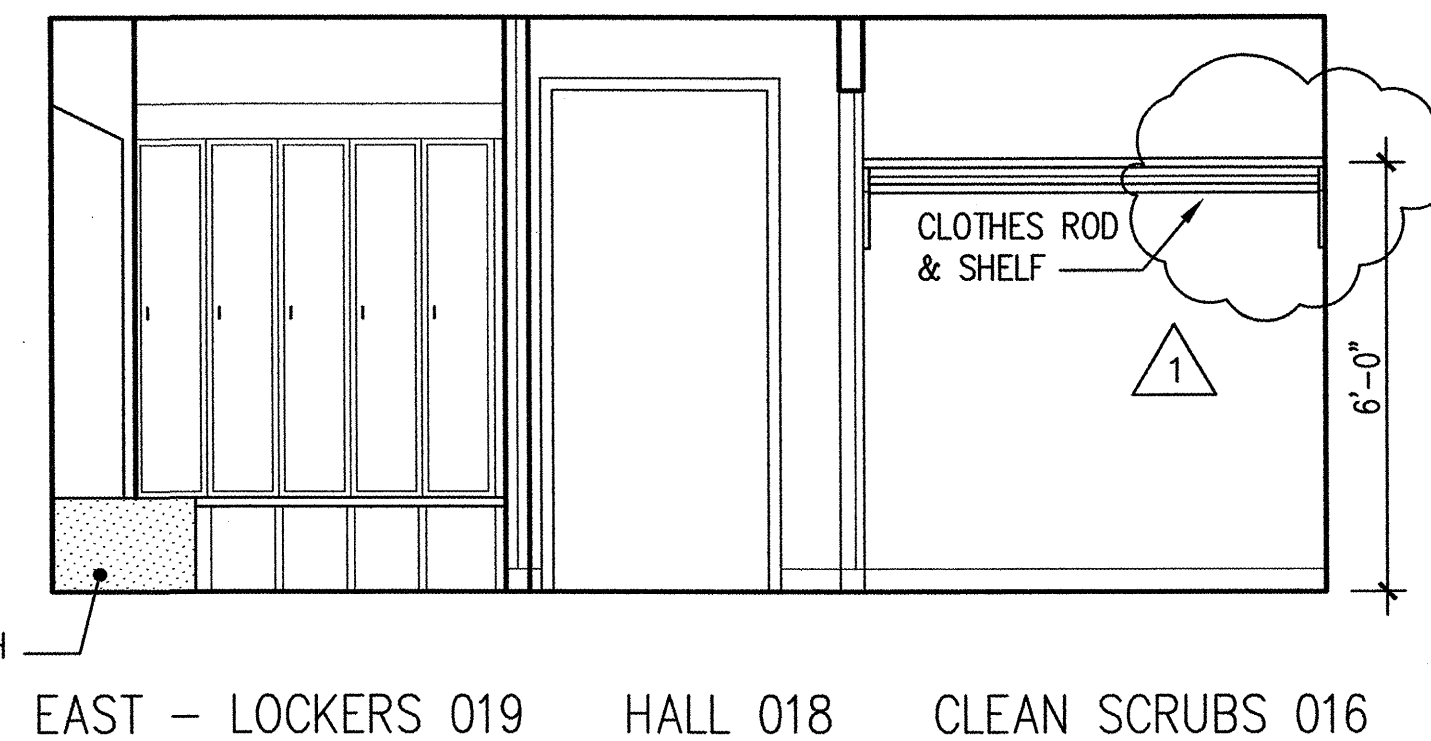
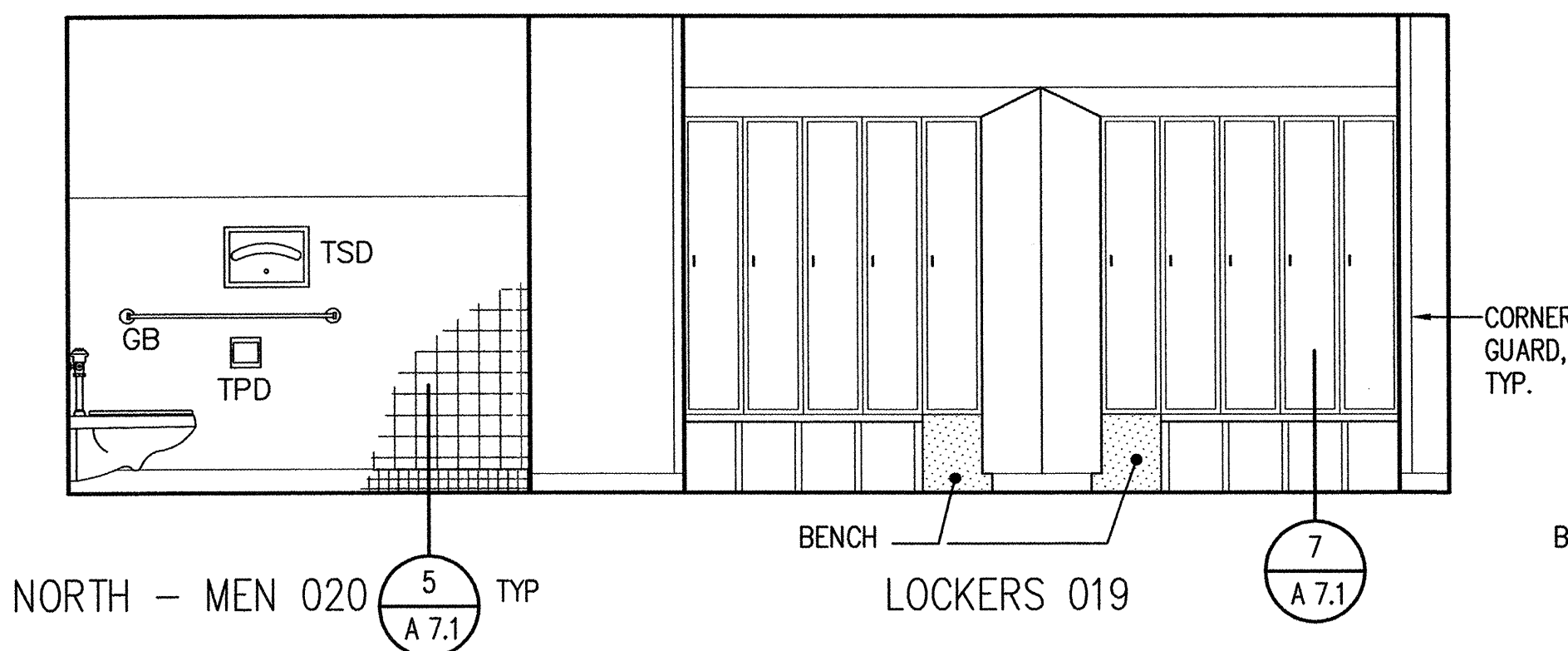
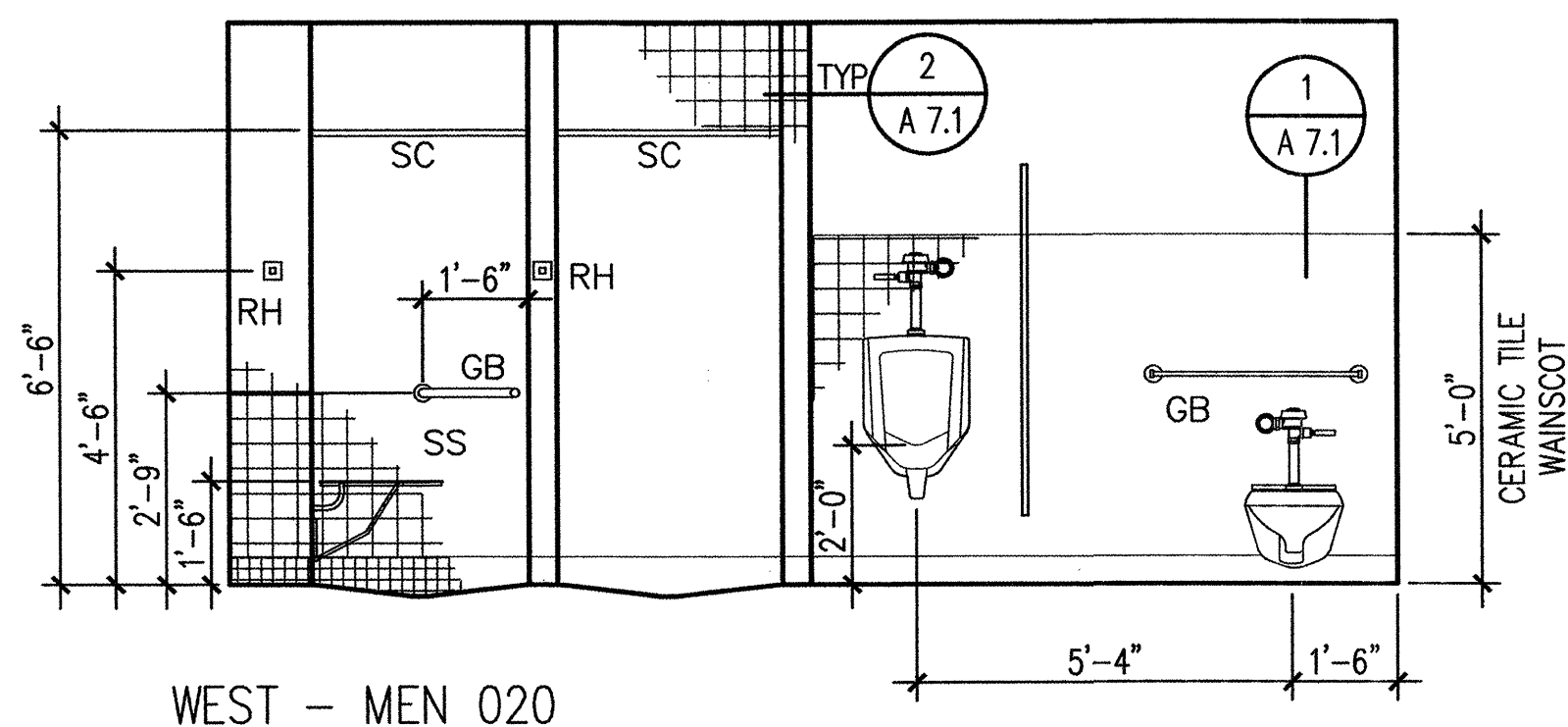
- DF - DRINKING FOUNTAIN
- FE - FIRE EXTINGUISHER
- FEC - FIRE EXTINGUISHER CABINET
- GB - GRAB BAR
- HCP - HANDICAP ACCESSIBLE
- M - MIRROR
- MR - MOP RACK
- PTD/R - PAPER TOWEL DISPENSER/RECEPTACLE
- RH - ROBE HOOK
- SC - SHOWER CURTAIN AND ROD
- SD - SOAP DISPENSER
- SND - SANITARY NAPKIN DISPENSER
- SNR - SANITARY NAPKIN RECEPTACLE
- SS - SHOWER SEAT
- TPD - TOILET PAPER DISPENSER
- TSD - TOILET SEAT COVER DISPENSER



1 KEY

2 JANITOR, ROOM 025
3/8" = 1'-0"

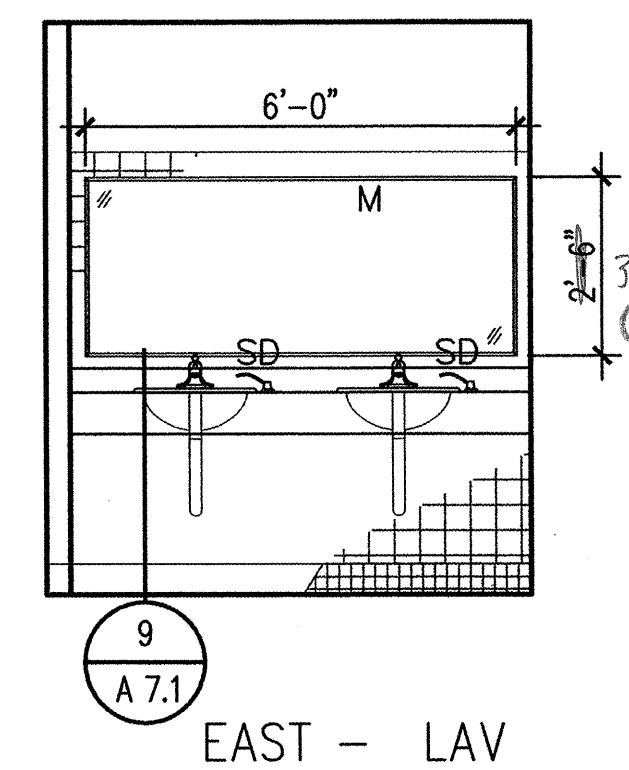
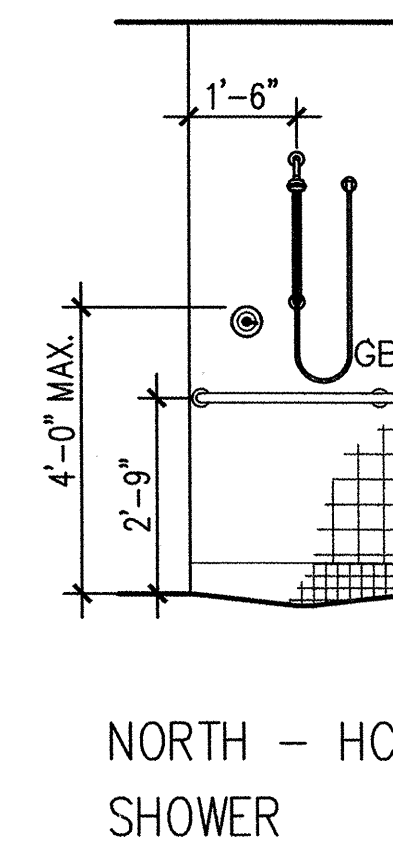
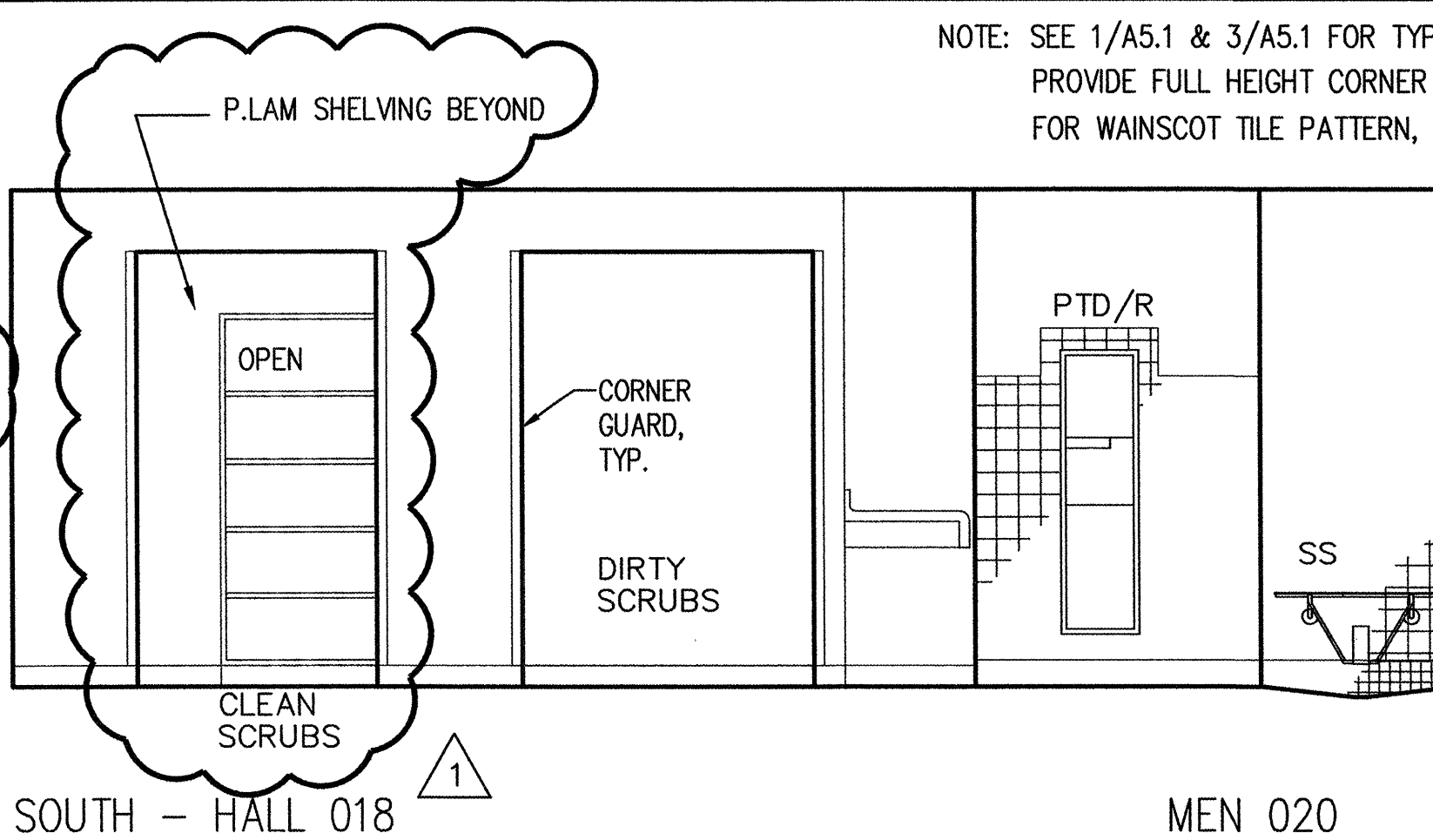
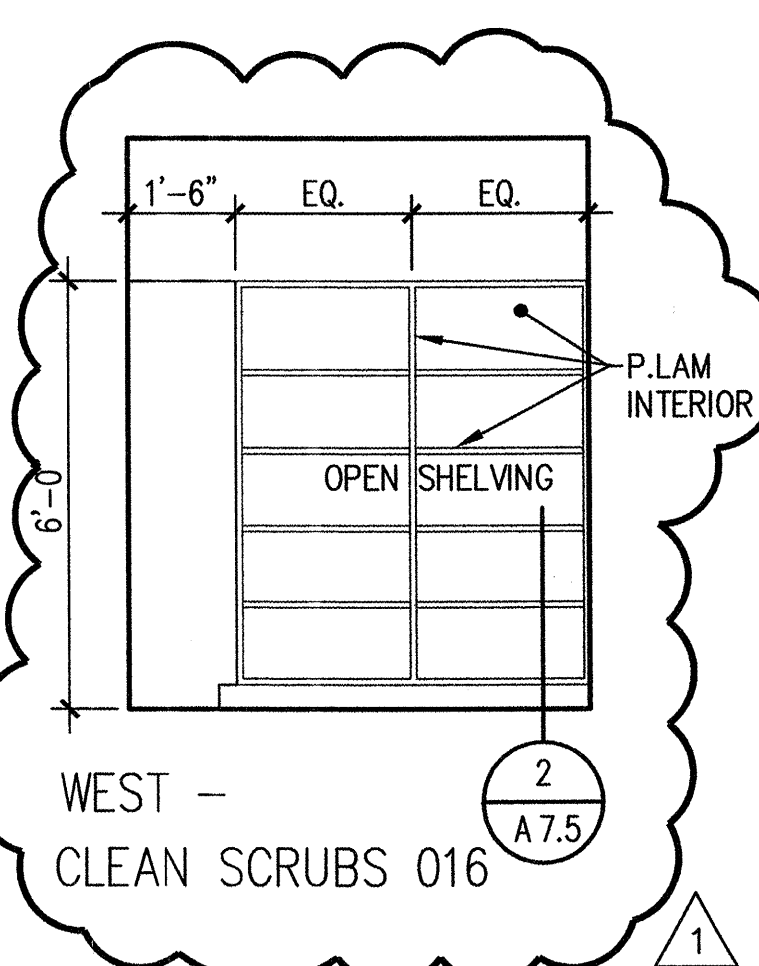
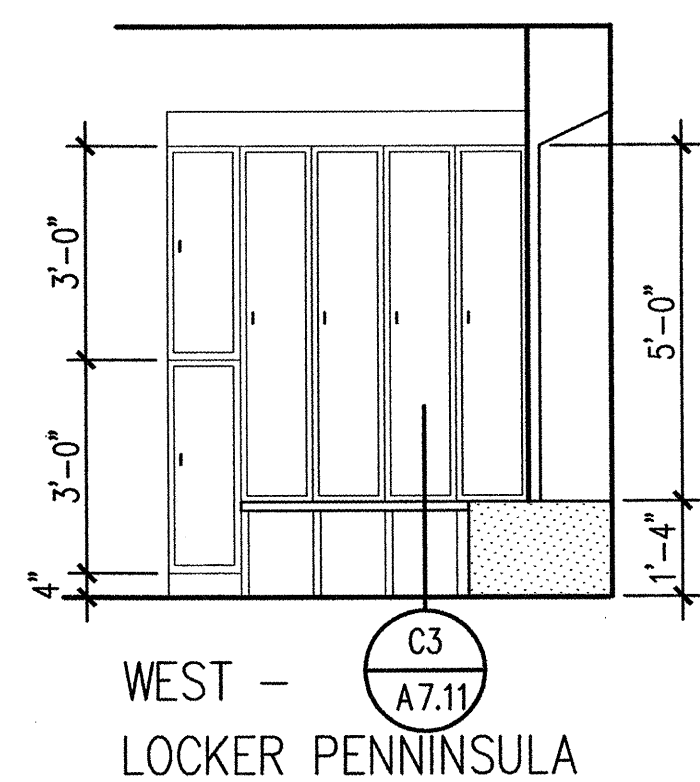
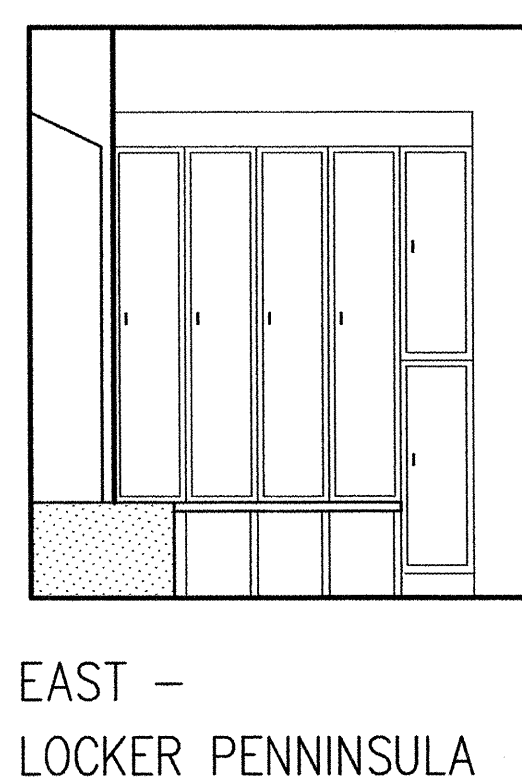
ROOMS 126, 266 & 359, SIM



3 MEN'S LOCKER ROOM 015 - 020
3/8" = 1'-0"

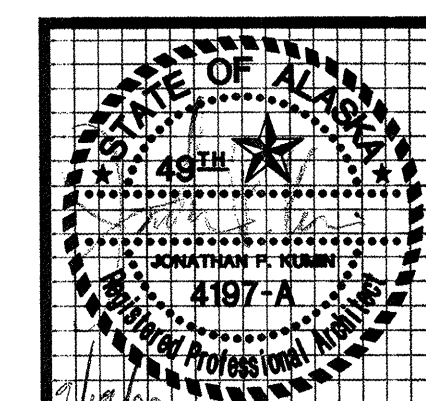
FOR WAINSCOT TILE PATTERN, SEE 3/A7.1.

NOTE: SEE 1/A5.1 & 3/A5.1 FOR TYPICAL MOUNTING HEIGHTS AND GRAB BAR PLACEMENT DIMENSIONS NOT SHOWN HERE. PROVIDE FULL HEIGHT CORNER GUARDS AT ALL OUTSIDE CORNERS THAT ARE NOT TILED. FOR WAINSCOT TILE PATTERN, SEE 3/A7.1.



3 MEN'S LOCKER ROOM 015 - 020
3/8" = 1'-0"

CONTINUED



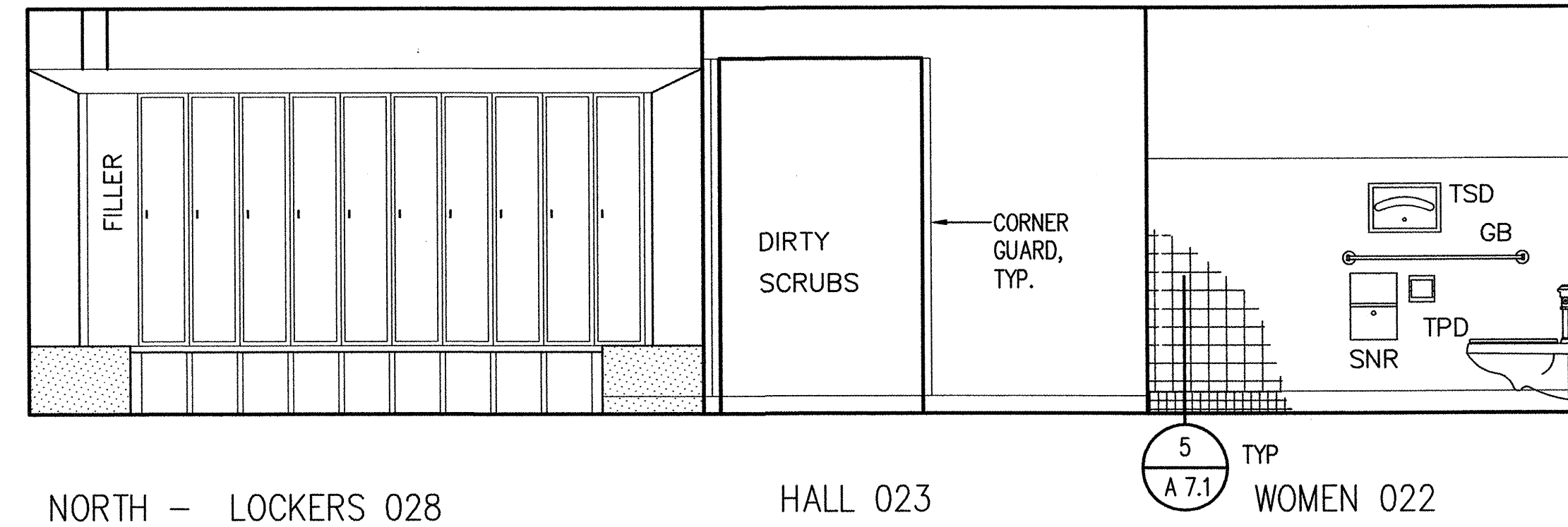
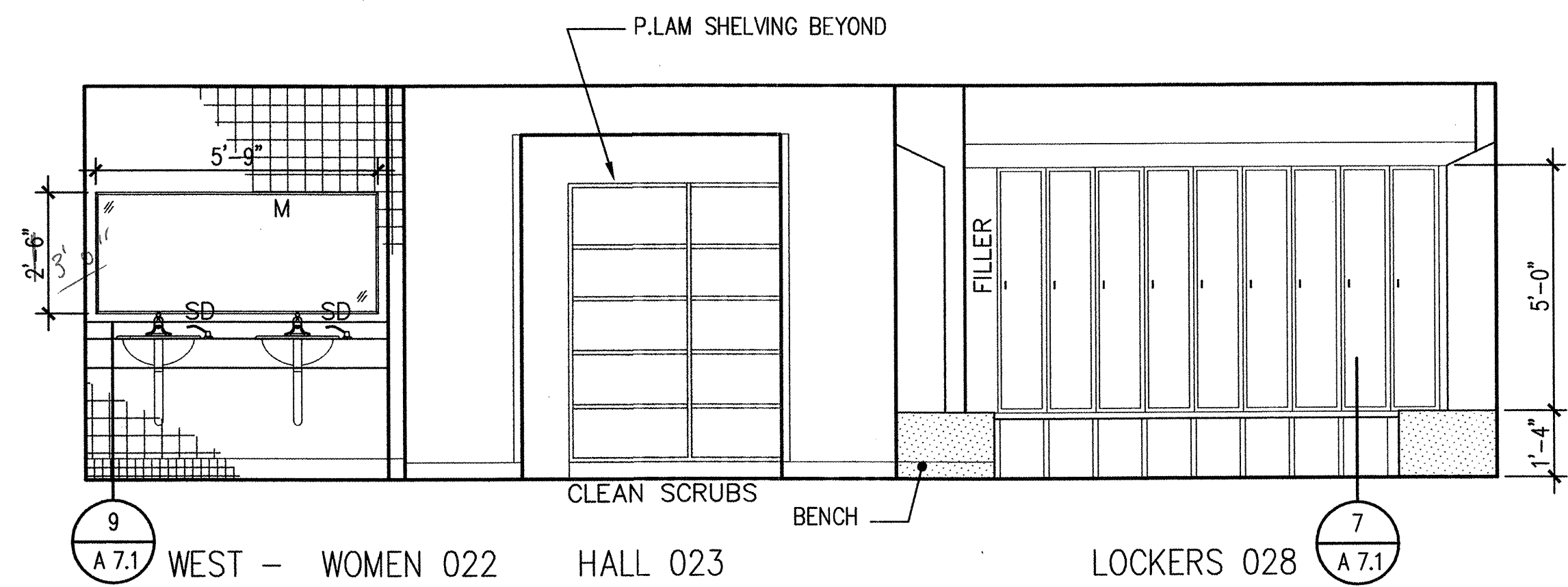
kumin associates, inc.
architects • planners • interior designers

Sjoquist Architects, Inc.
2001 University Ave SE #200
Minneapolis, Minnesota 55414
612.379.9233 Fax 612.379.9263
http://www.sjoquist.com

SOUTHCENTRAL FOUNDATION
NEW CLINIC FOR
DENTAL, OPTOMETRY and BEHAVIORAL HEALTH
TUDOR RD. and TUDOR CENTER DRIVE ANCHORAGE ALASKA

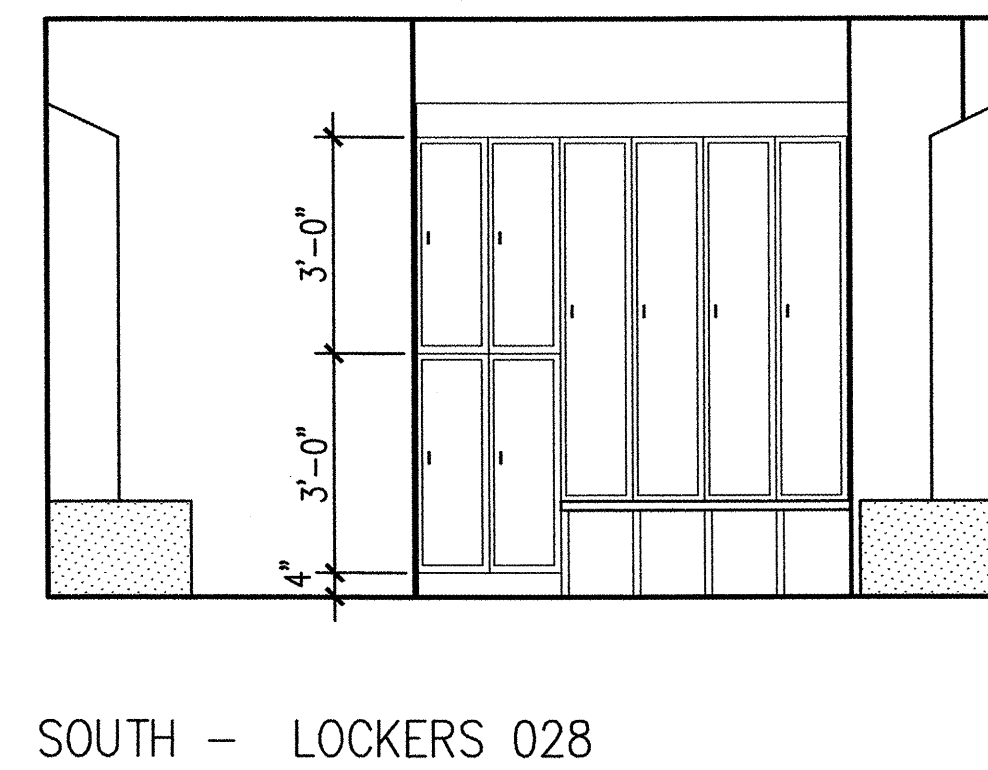
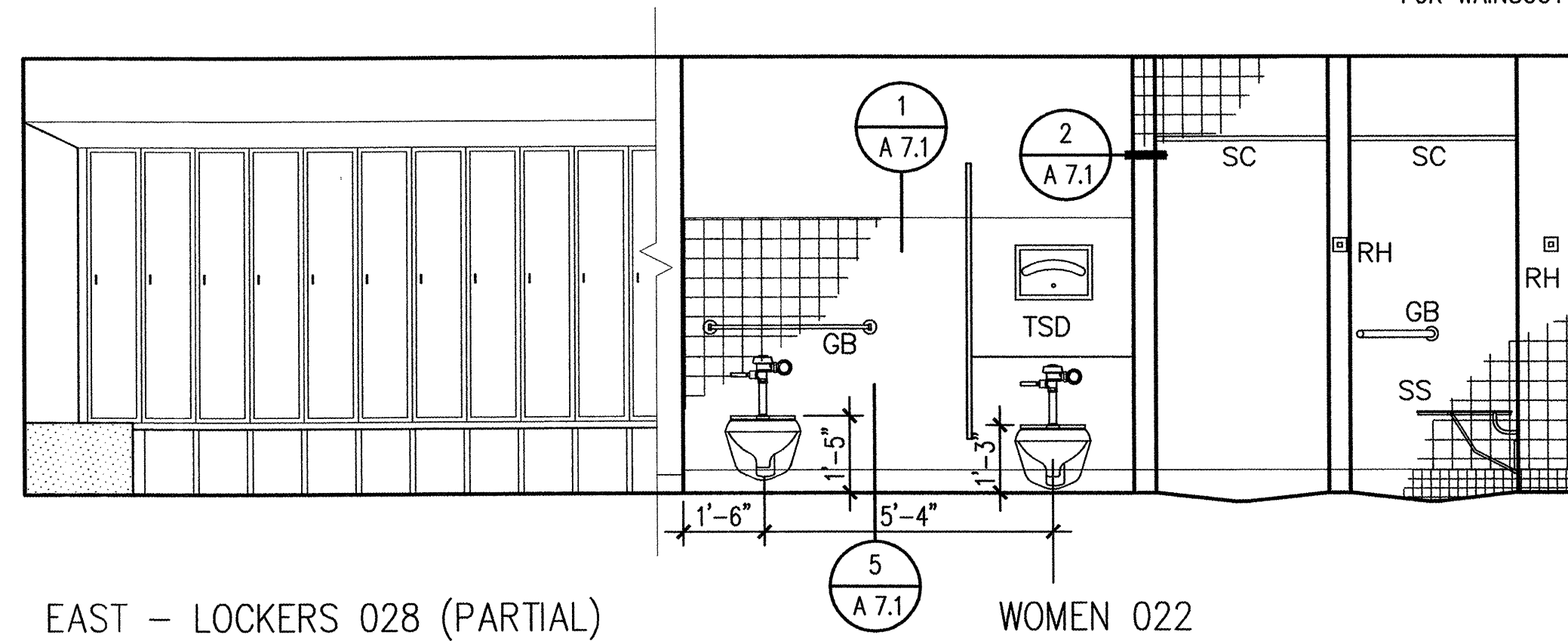
Drawn	SZ
Checked	DB, JS
Date	9-17-02
Revisions	
1	8-26-02 95X
2	9-17-02 100X
Job no.	20152
Dwg title	INTERIOR ELEVATIONS
Sheet no.	A5.2

100% SUBMITTAL



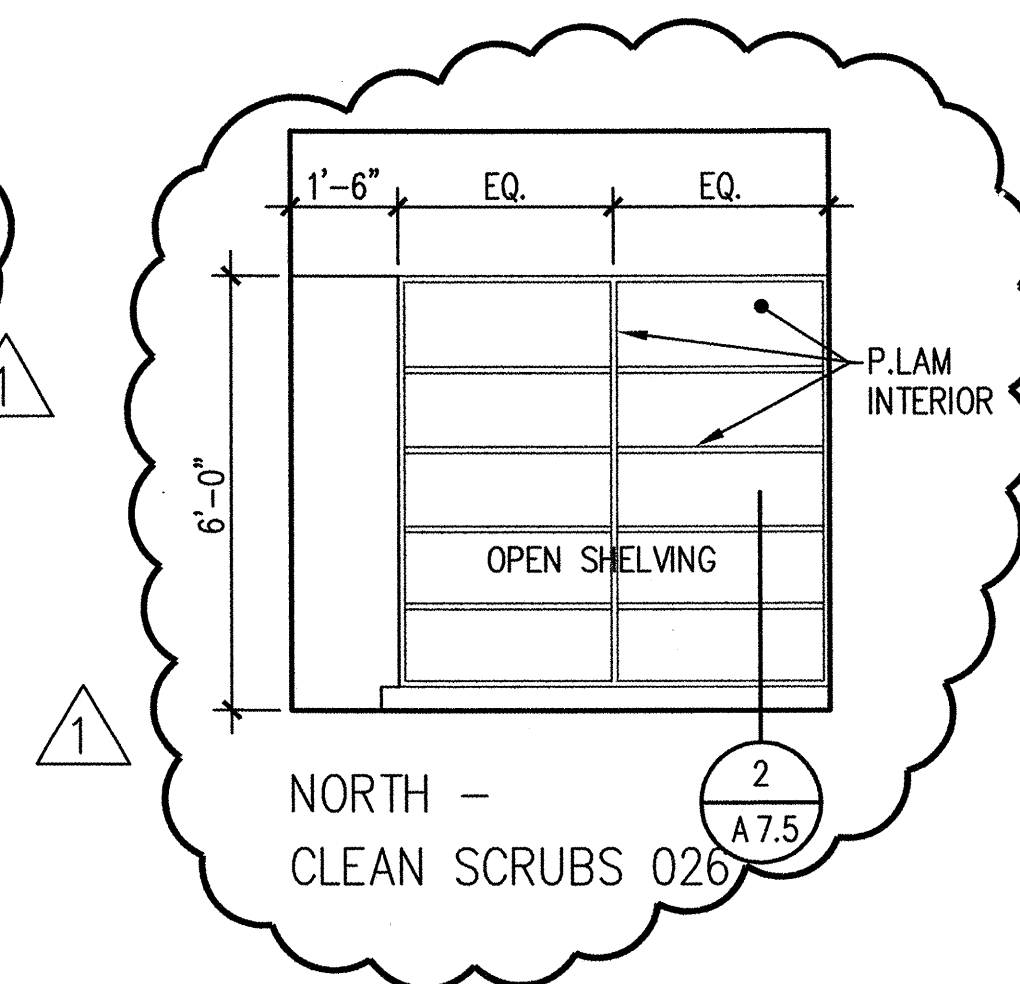
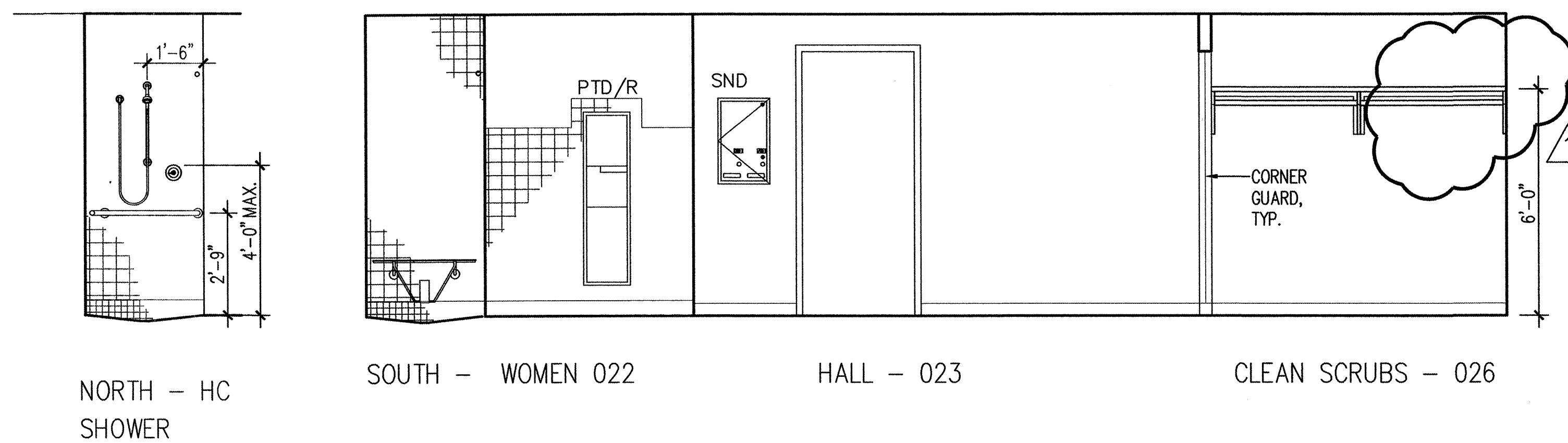
1 WOMEN'S LOCKER ROOM 022 - 028
3/8" = 1'-0"

FOR WAINSCOT TILE PATTERN, SEE 3/A7.1.
NOTE: SEE 1/A5.1, 3/A5.1, & 2/A5.2 FOR TYPICAL MOUNTING HEIGHTS AND GRAB BAR PLACEMENT DIMENSIONS NOT SHOWN HERE.
PROVIDE FULL HEIGHT CORNER GUARDS AT ALL OUTSIDE CORNERS THAT ARE NOT TILED.
FOR WAINSCOT TILE PATTERN, SEE 3/A7.1



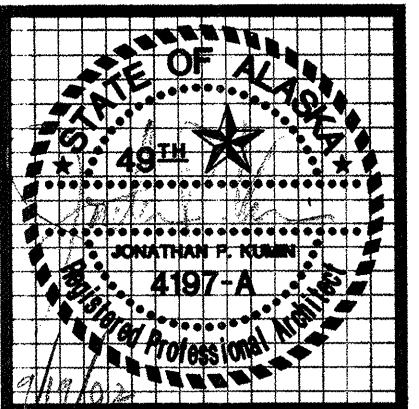
1 WOMEN'S LOCKER ROOM 022 - 028
3/8" = 1'-0"

CONTINUED



1 WOMEN'S LOCKER ROOM 022 - 028
3/8" = 1'-0"

CONTINUED



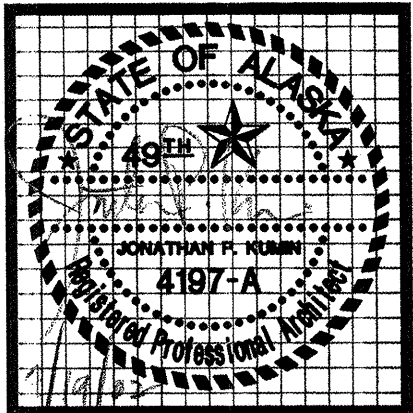
kumin associates, inc.
architects • planners • interior designers

Sjoquist Architects, Inc.
2001 University Ave STE #200
Anchorage, Alaska 99503
612.379.9233 Fax: 612.379.9263
http://www.sjoquist.com

SOUTHCENTRAL FOUNDATION
NEW CLINIC FOR
DENTAL, OPTOMETRY and BEHAVIORAL HEALTH
TUDOR RD. and TUDOR CENTER DRIVE, ANCHORAGE ALASKA

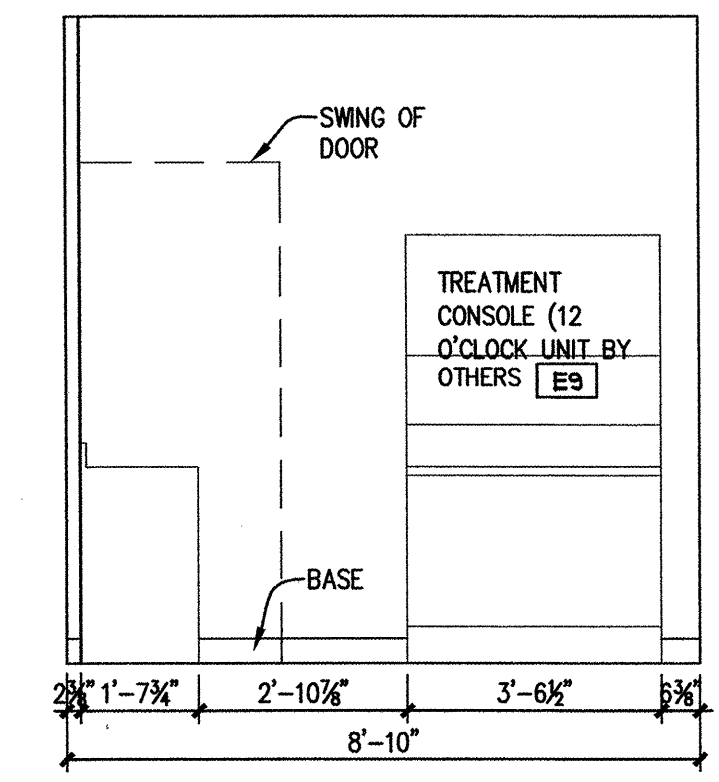
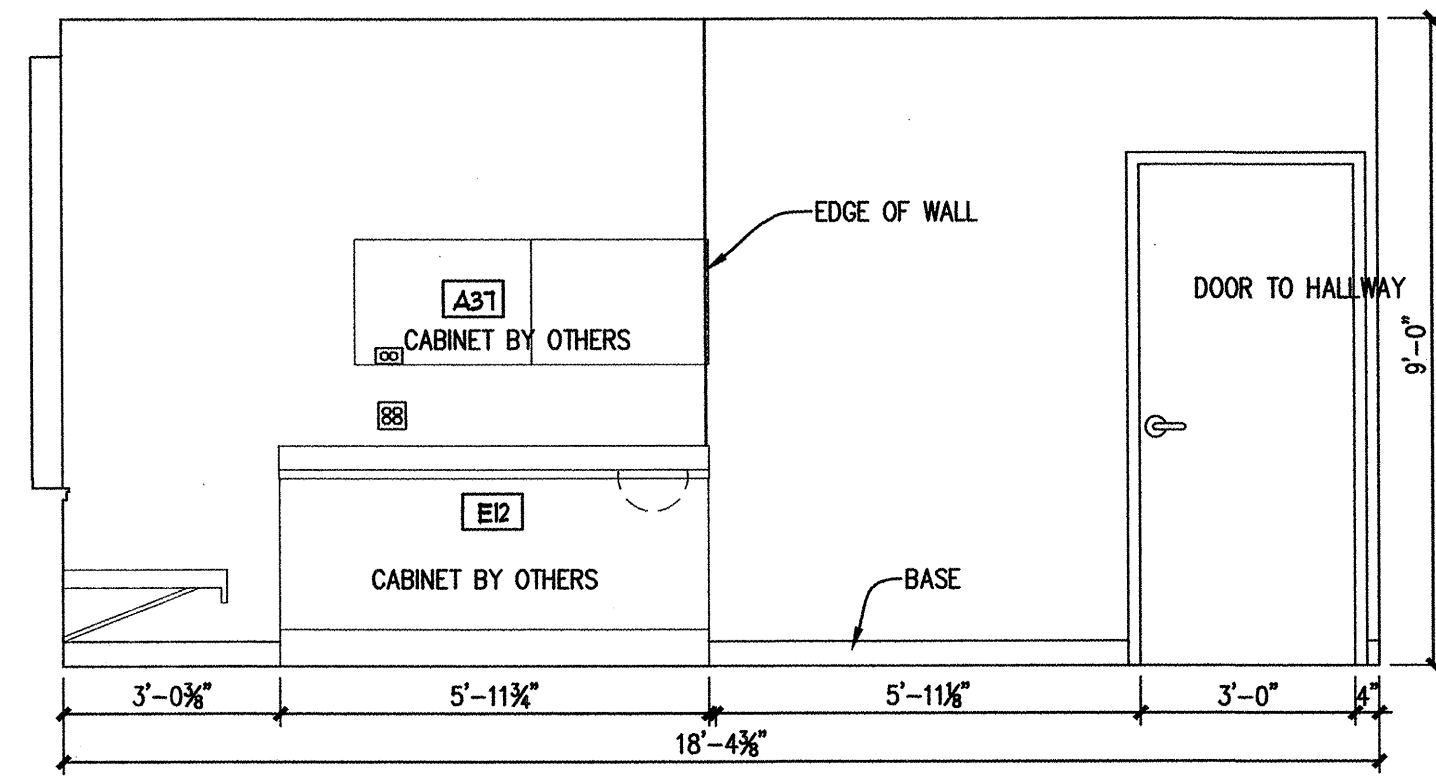
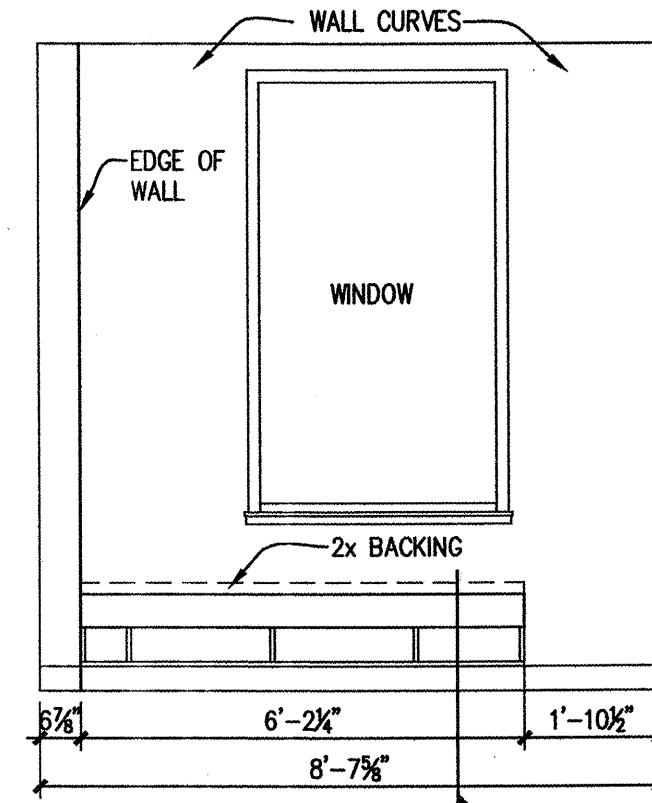
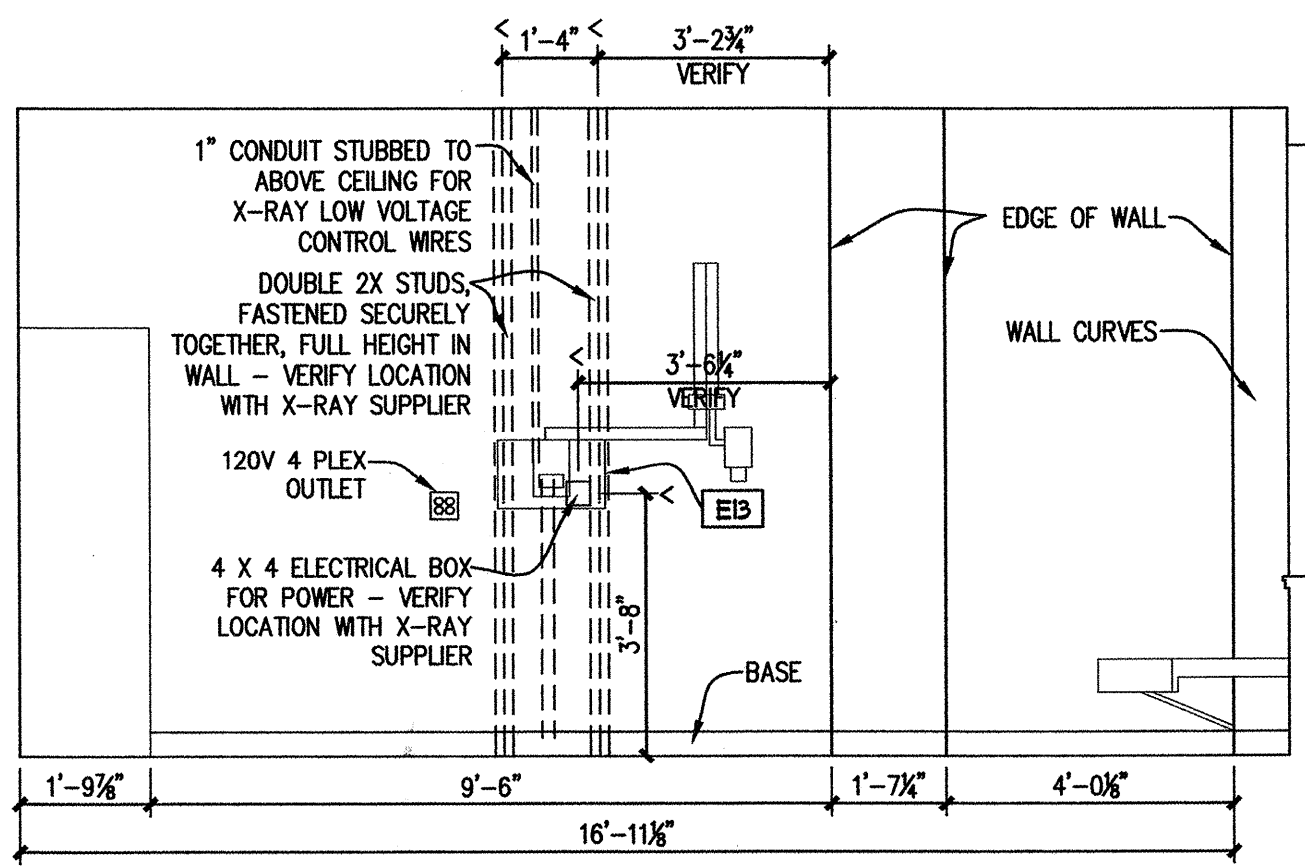
drawn	SAI/SZ
checked	DEL JS
date	9-17-02
revisions	
1	8-26-02 95%
2	9-17-02 100%
job no.	20152
dwg. title	INTERIOR ELEVATIONS
sheet no.	A5.3

100% SUBMITTAL



kumin associates, inc.
 architects • planners • interior designers

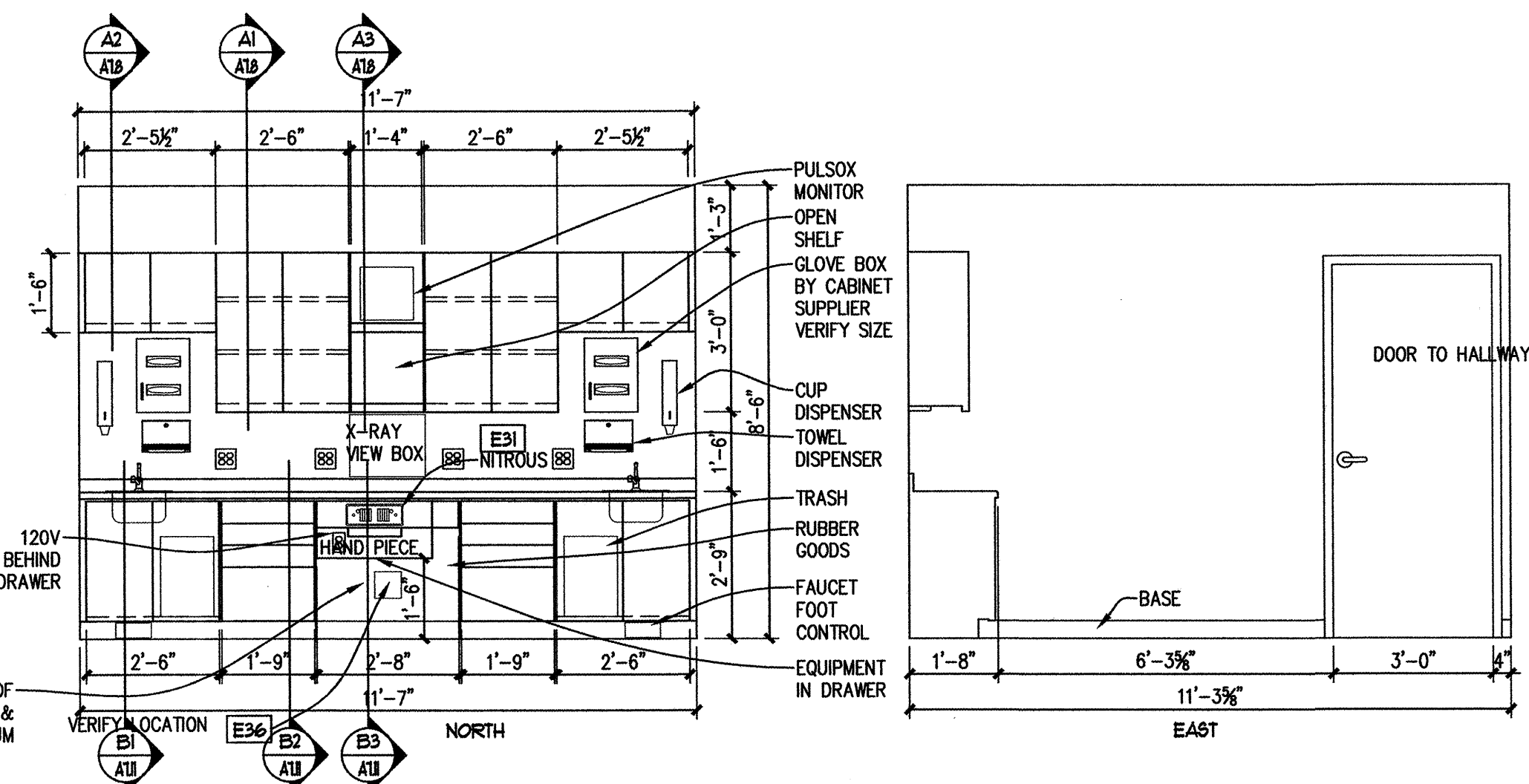
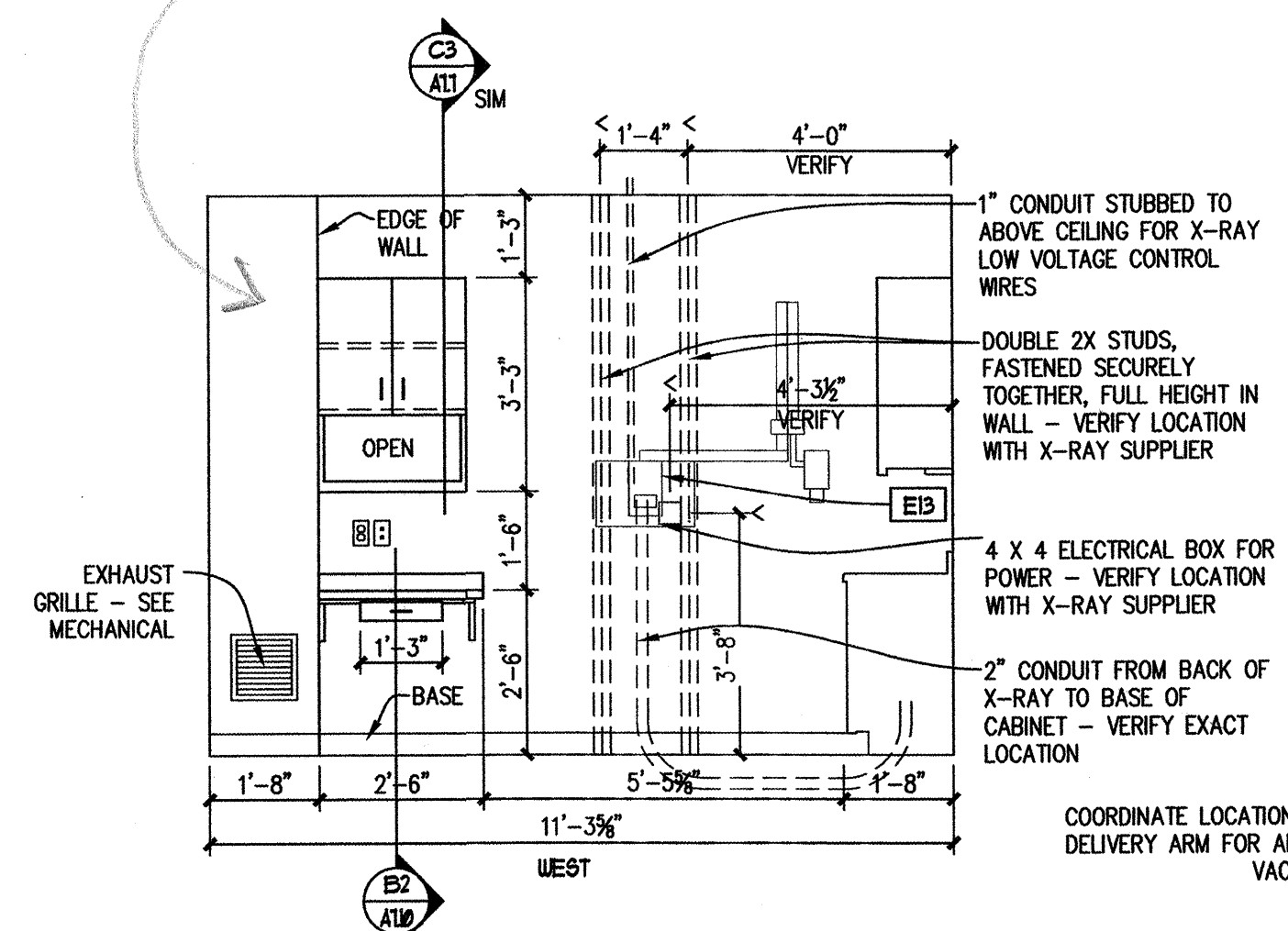
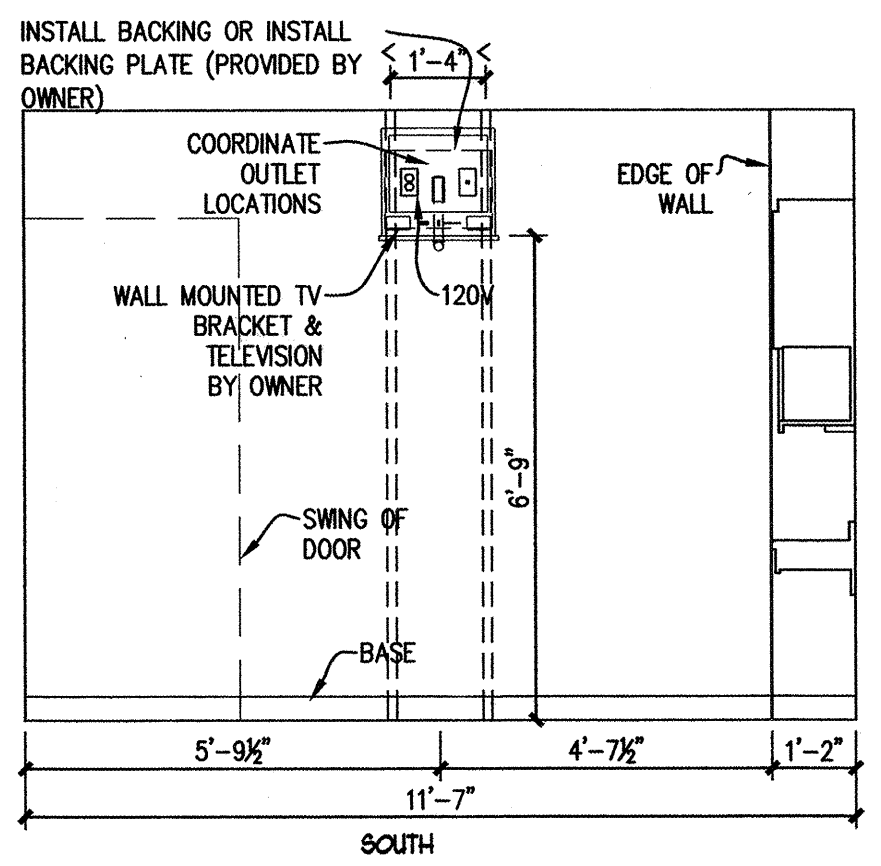
Sjoquist Architects, Inc.
 2001 University Ave. STE #200
 Minneapolis, Minnesota 55414
 612.379.9233 Fax 612.379.9263
<http://www.sjoquist.com>



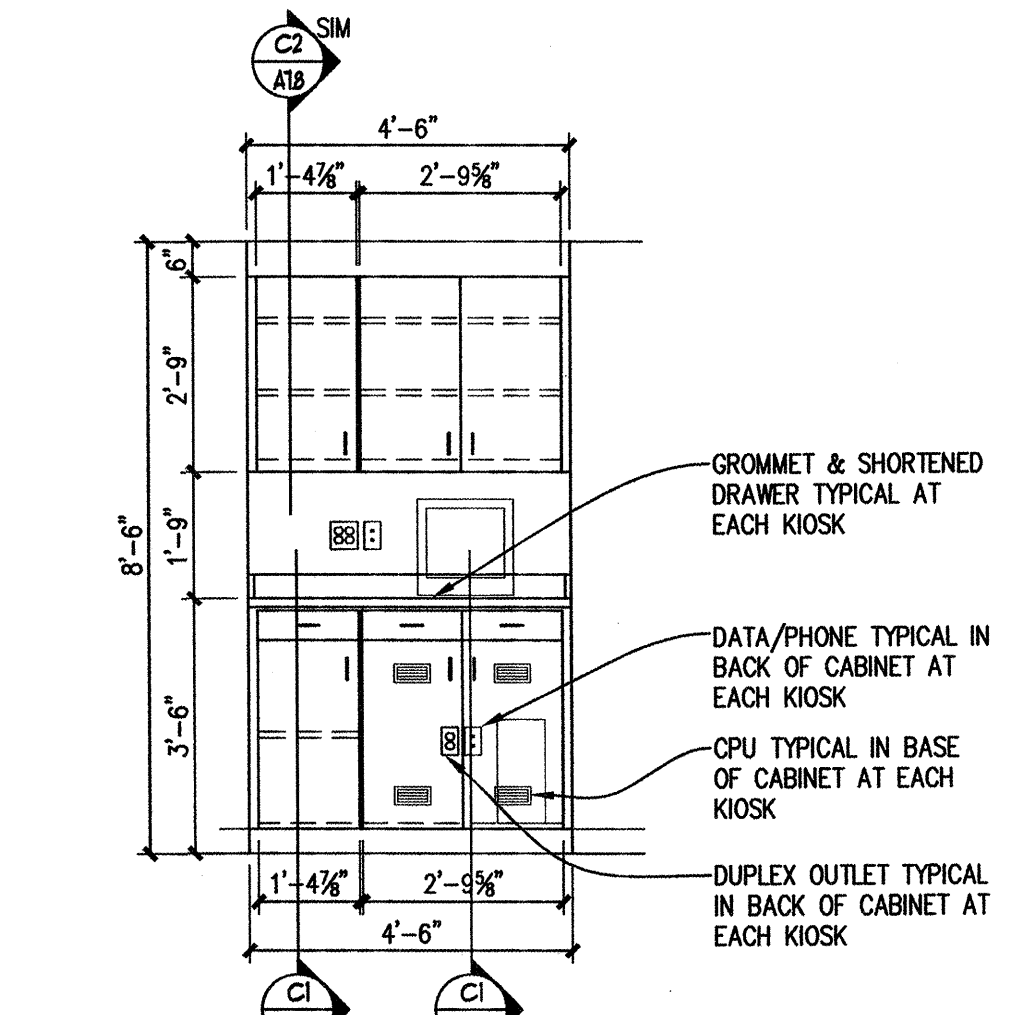
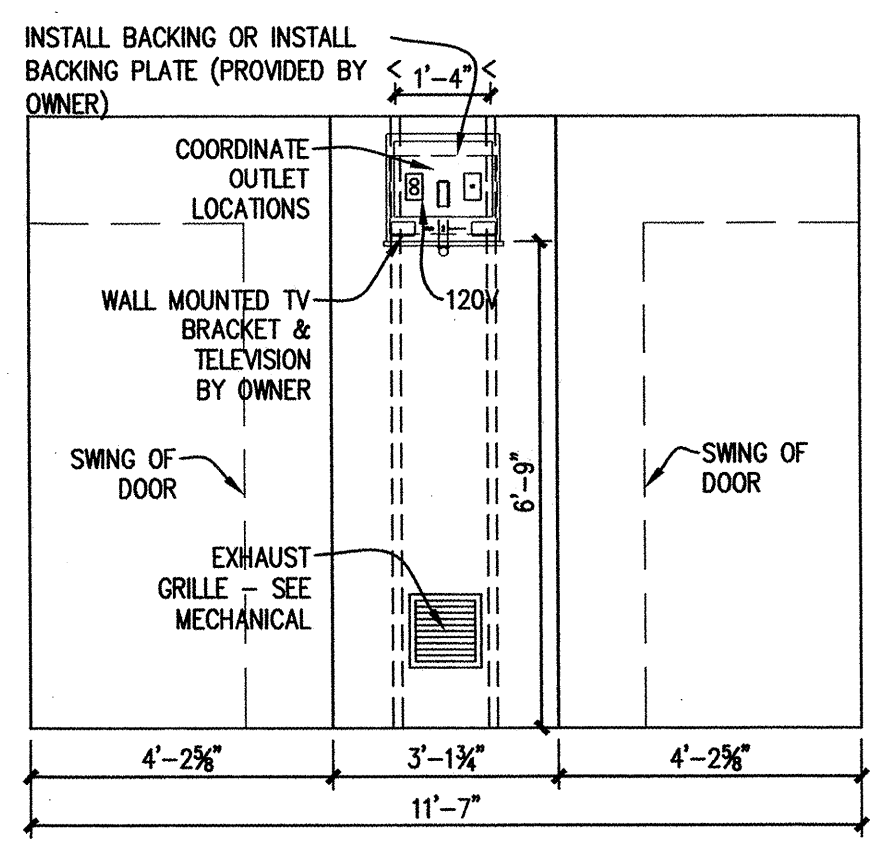
CI RECORD'S ROOM - RM III
 A5.4 3/8" = 1'-0"

C3 RECORD'S ROOM - RM III
 A5.4 3/8" = 1'-0"

Revised
 SKA-19-19R



BI ORAL SURGERY - RM 172
 A5.4 3/8" = 1'-0"



AI ORAL SURGERY - RM 174 & 175
 A5.4 3/8" = 1'-0"

a2 KIOSK AREA - RM 125
 A5.4 3/8" = 1'-0"

SOUTHCENTRAL FOUNDATION
 NEW CLINIC FOR
 DENTAL, OPTOMETRY and BEHAVIORAL HEALTH
 TUDOR RD. and TUDOR CENTER DRIVE ANCHORAGE ALASKA

drawn	
checked	DB, JS
date	9-17-02
revisions	01 9-17-02 100%
job no.	20152
dwp. title	INTERIOR ELEVATIONS BASEMENT FLOOR
sheet no.	A5.4

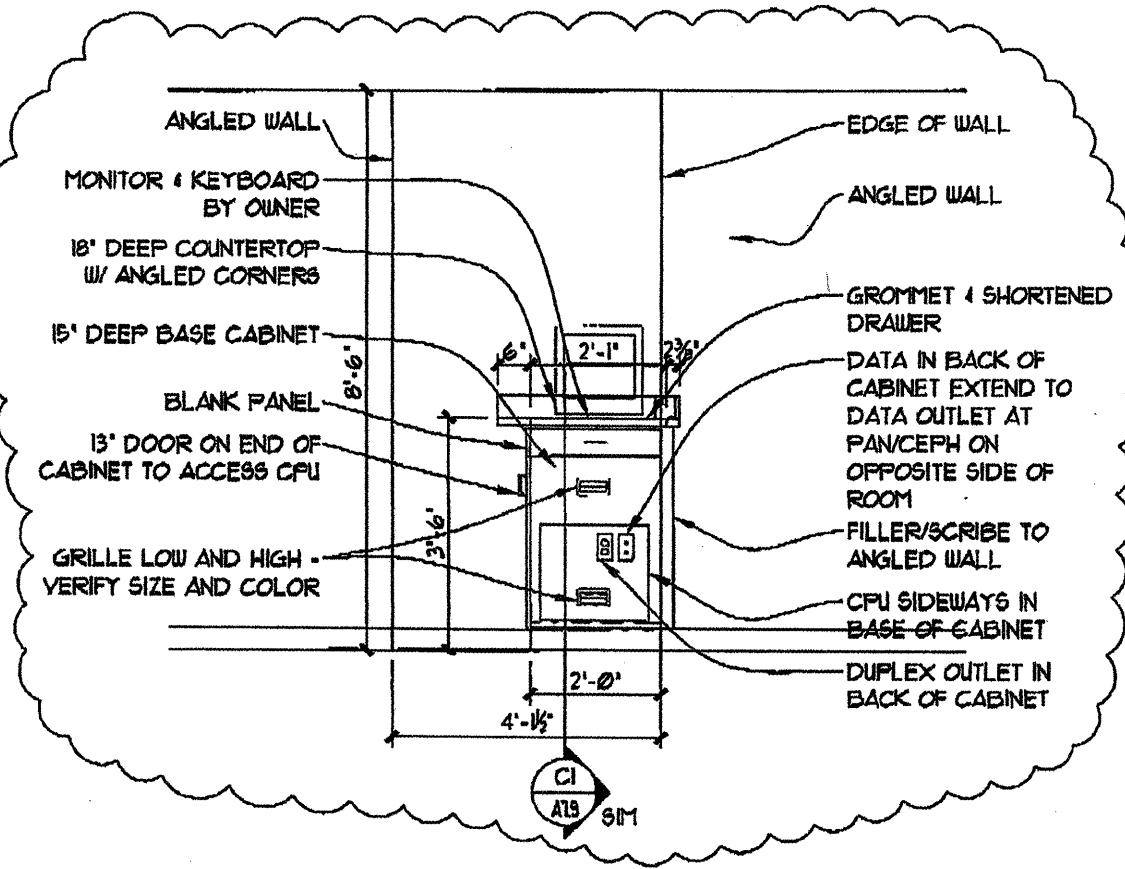
100% SUBMITTAL

RECEIVED

NOV 14 2002

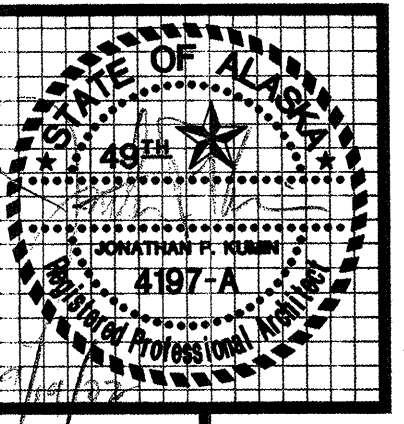
NEESER CONSTRUCTION, INC.

Received By



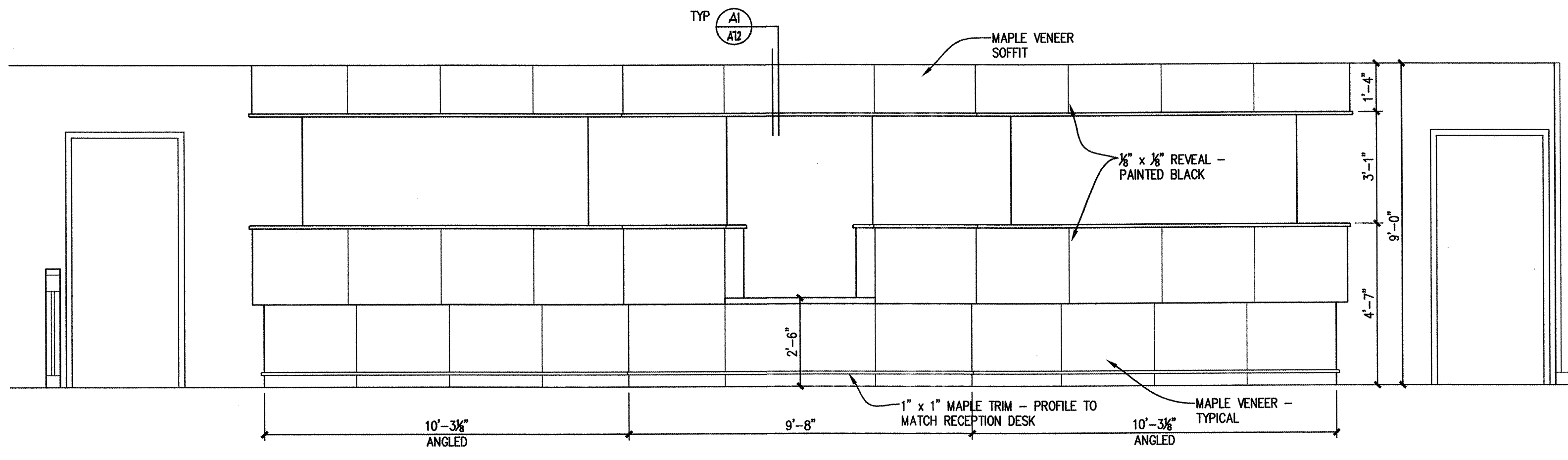
1 PANORAMIC - RM 115

drawn	MST	title	kumin associates, inc.	sheet no.
checked	MST	PANORAMIC - RM 115	<small>ARCHITECTS & INTERIORS 200 F STREET SOUTH, ANCHORAGE, ALASKA 99501 TEL: 847-222-8822 FAX: 847-222-7722</small>	
date	11/12/02		Dental, Optometry, Behavioral Health Clinic	SK-A19
job no.	20152		Southcentral Foundation - Anchorage, AK	SHT. 4 OF 18

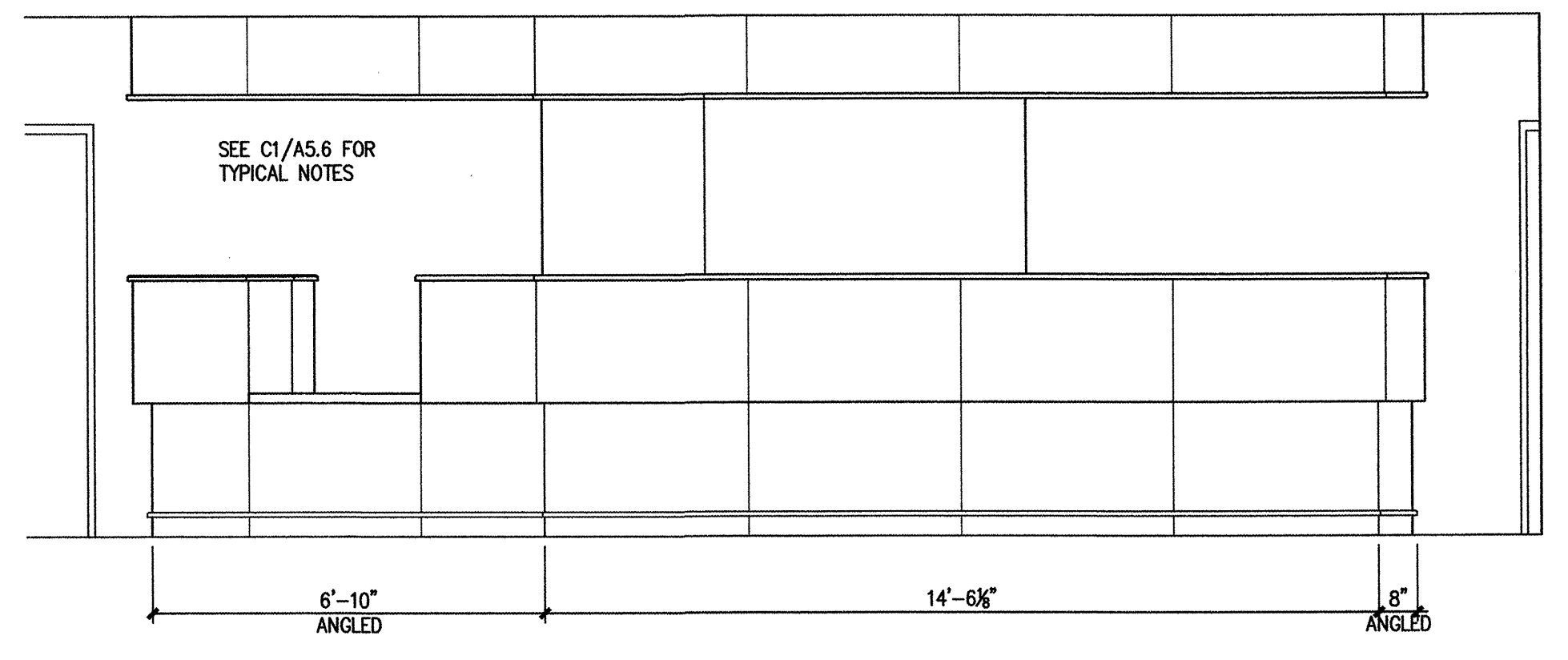


kumin associates, inc.
 architects • planners • interior designers

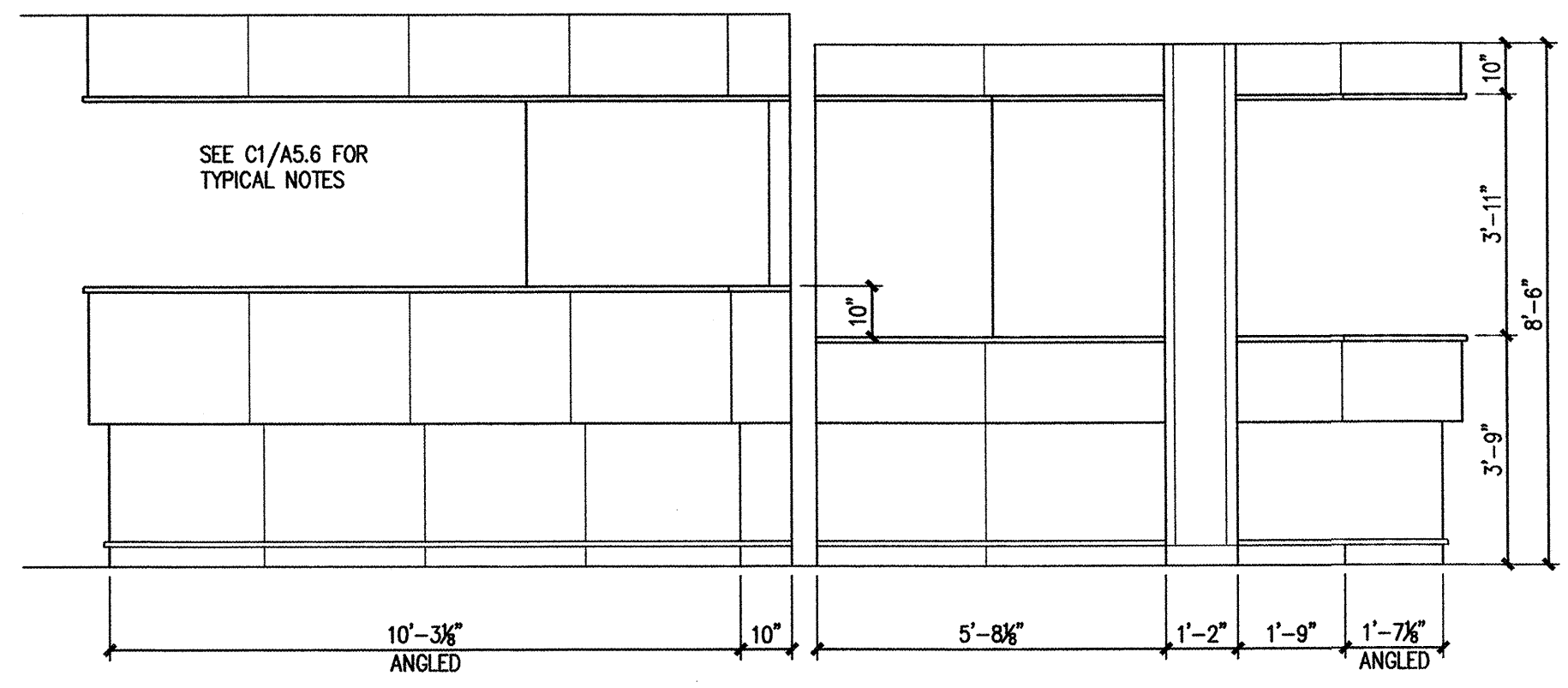
Sjoquist Architects, Inc.
 Minneapolis, Minnesota 55414
 2001 University Ave. SF #200
 612.379.9233 Fax 612.379.9263
<http://www.sjoquist.com>



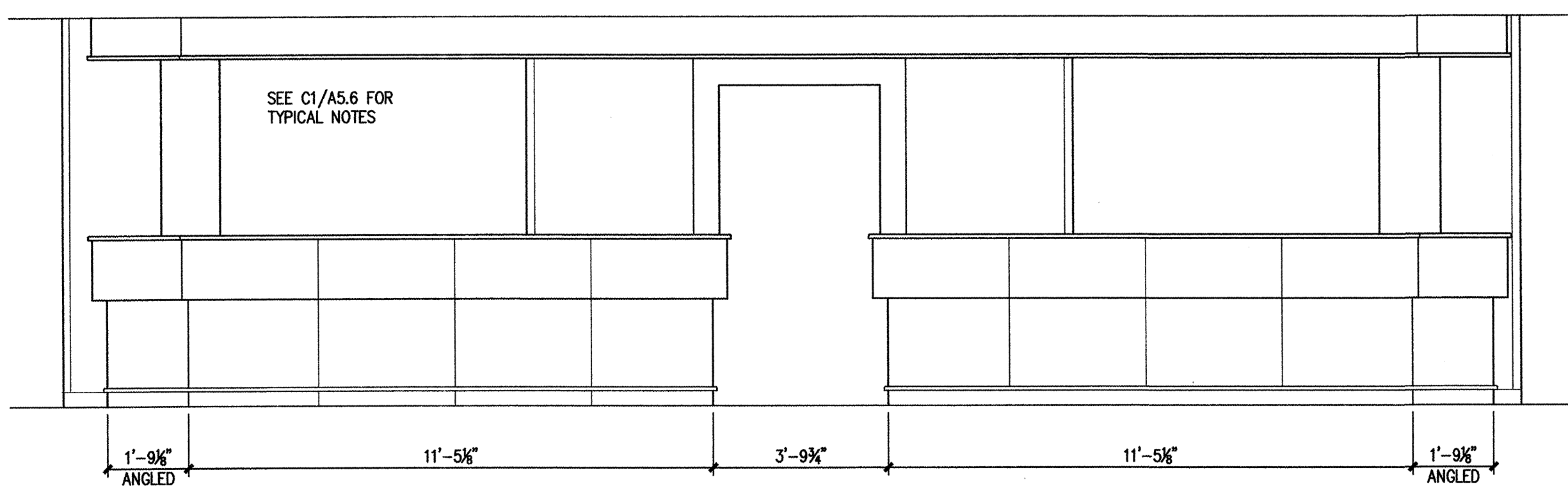
C1 RECEPTION DESK - RM 184
 3/8" = 1'-0"



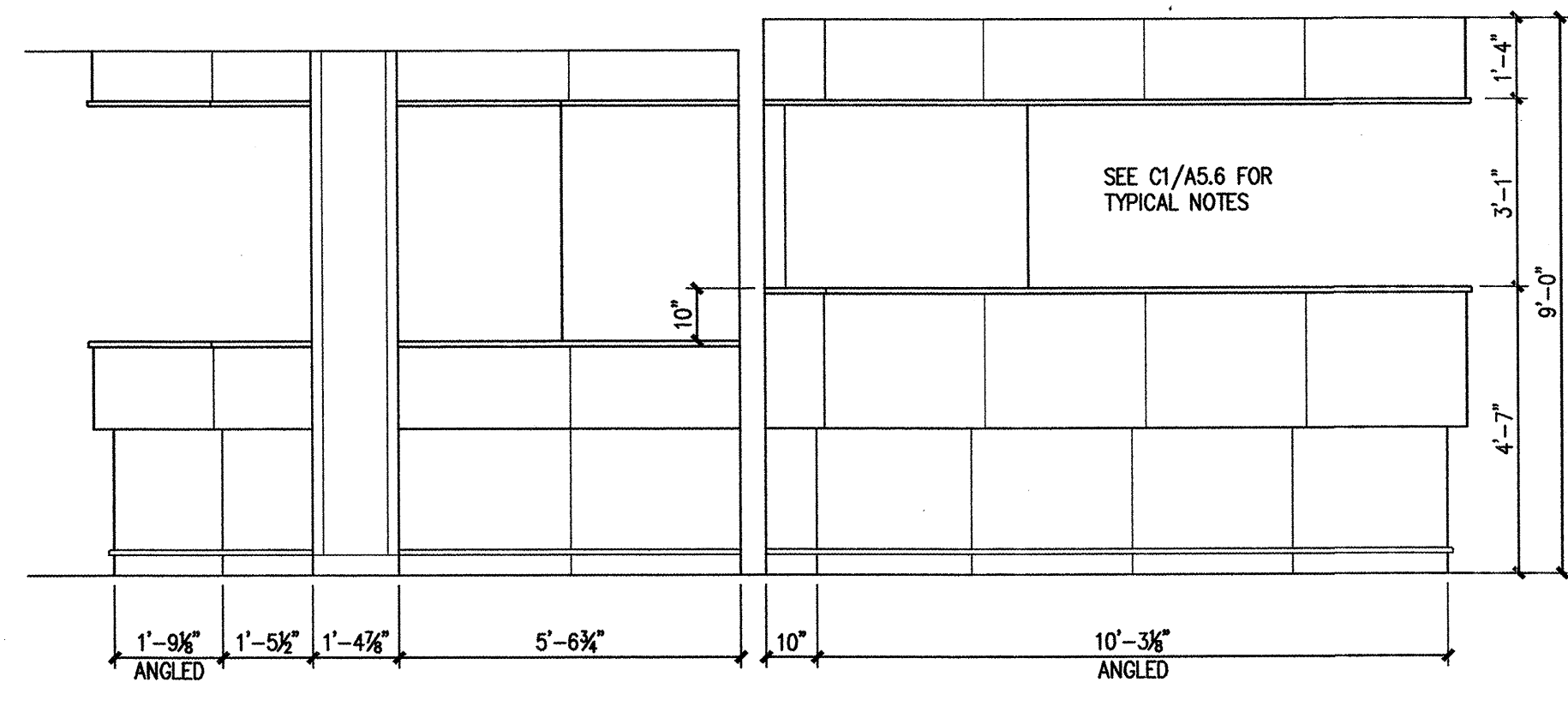
C3 RECEPTION DESK - RM 184
 3/8" = 1'-0"



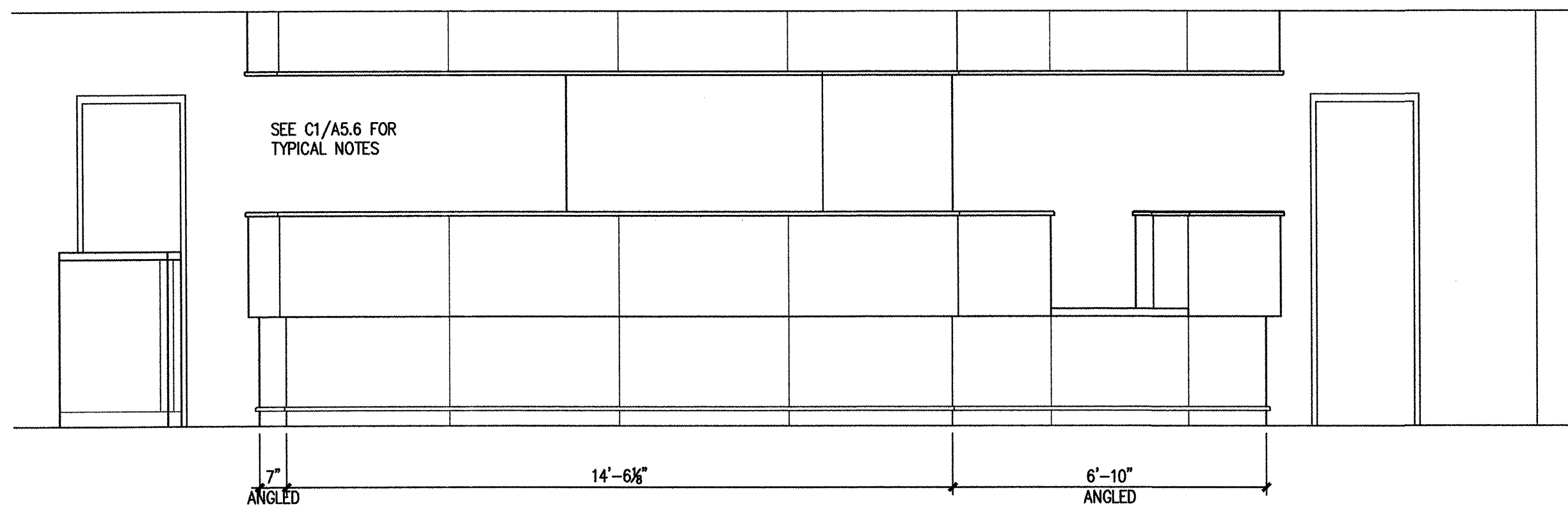
B1 RECEPTION DESK - RM 184/REAPPOINT - RM.190
 3/8" = 1'-0"



B2 REAPPOINTMENT - RM 189/190
 3/8" = 1'-0"



A1 REAPPOINT - RM189/RECEPTION DESK - RM 184
 3/8" = 1'-0"



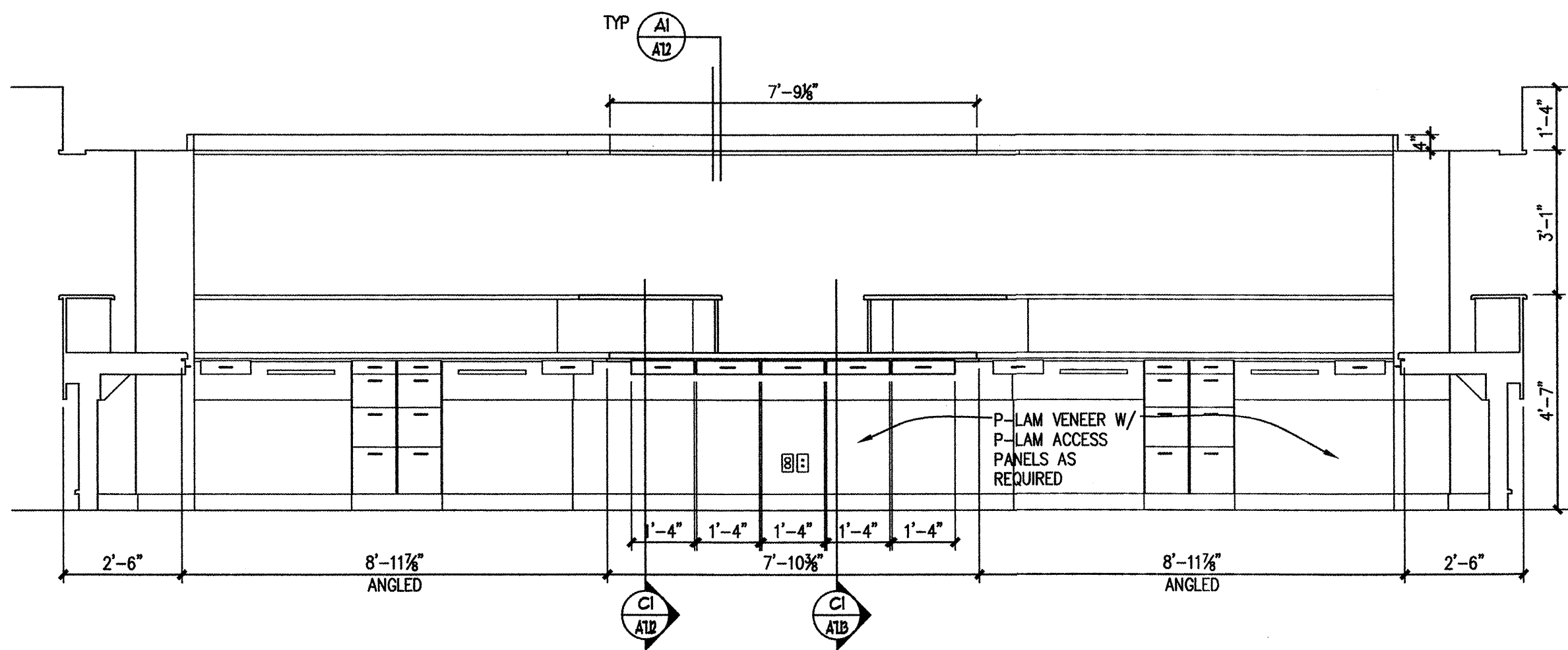
A3 RECEPTION DESK - RM 184
 3/8" = 1'-0"

SOUTHCENTRAL FOUNDATION
 NEW CLINIC FOR:
 DENTAL, OPTOMETRY and BEHAVIORAL HEALTH
 TUDOR RD. and TUDOR CENTER DRIVE ANCHORAGE ALASKA

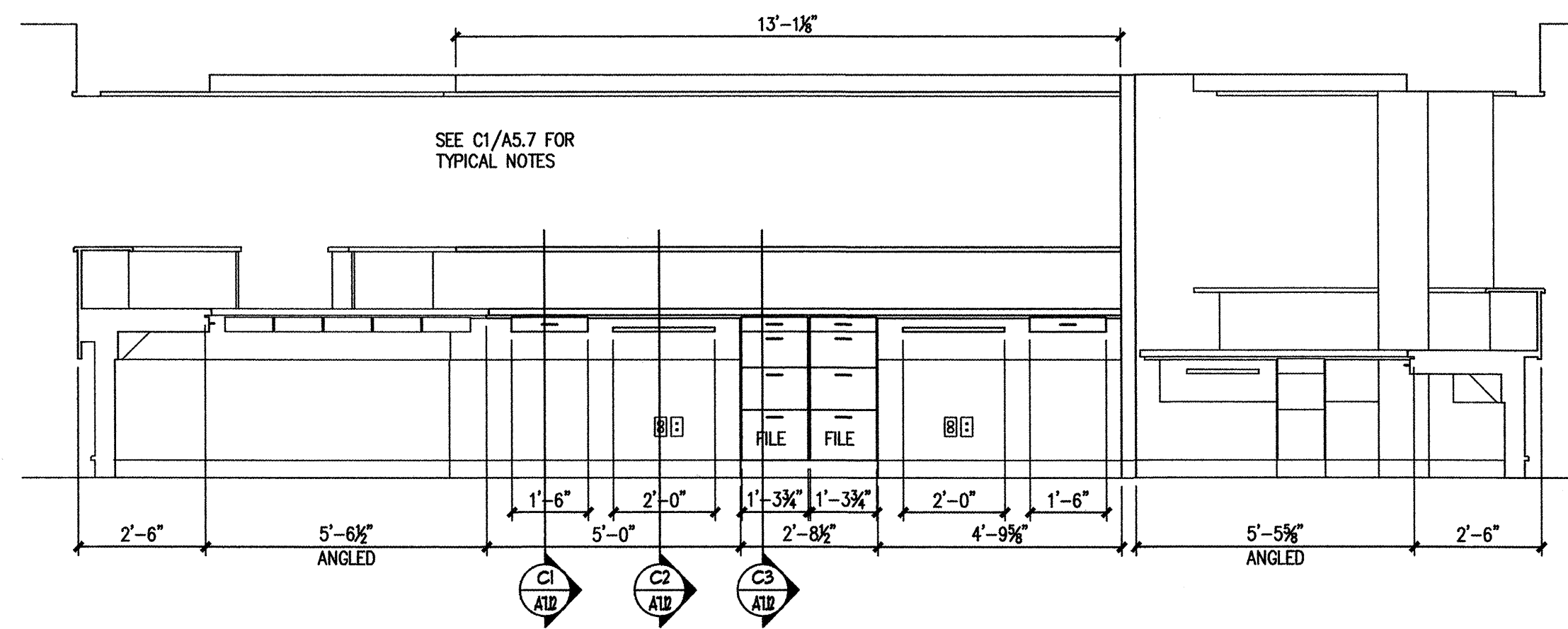
drawn	
checked	DB, JS
date	9-17-02
revisions	
1	8-26-02 JSZ
job no.	20152
dwg title	INTERIOR ELEVATIONS FIRST FLOOR
sheet no.	

100% SUBMITTAL

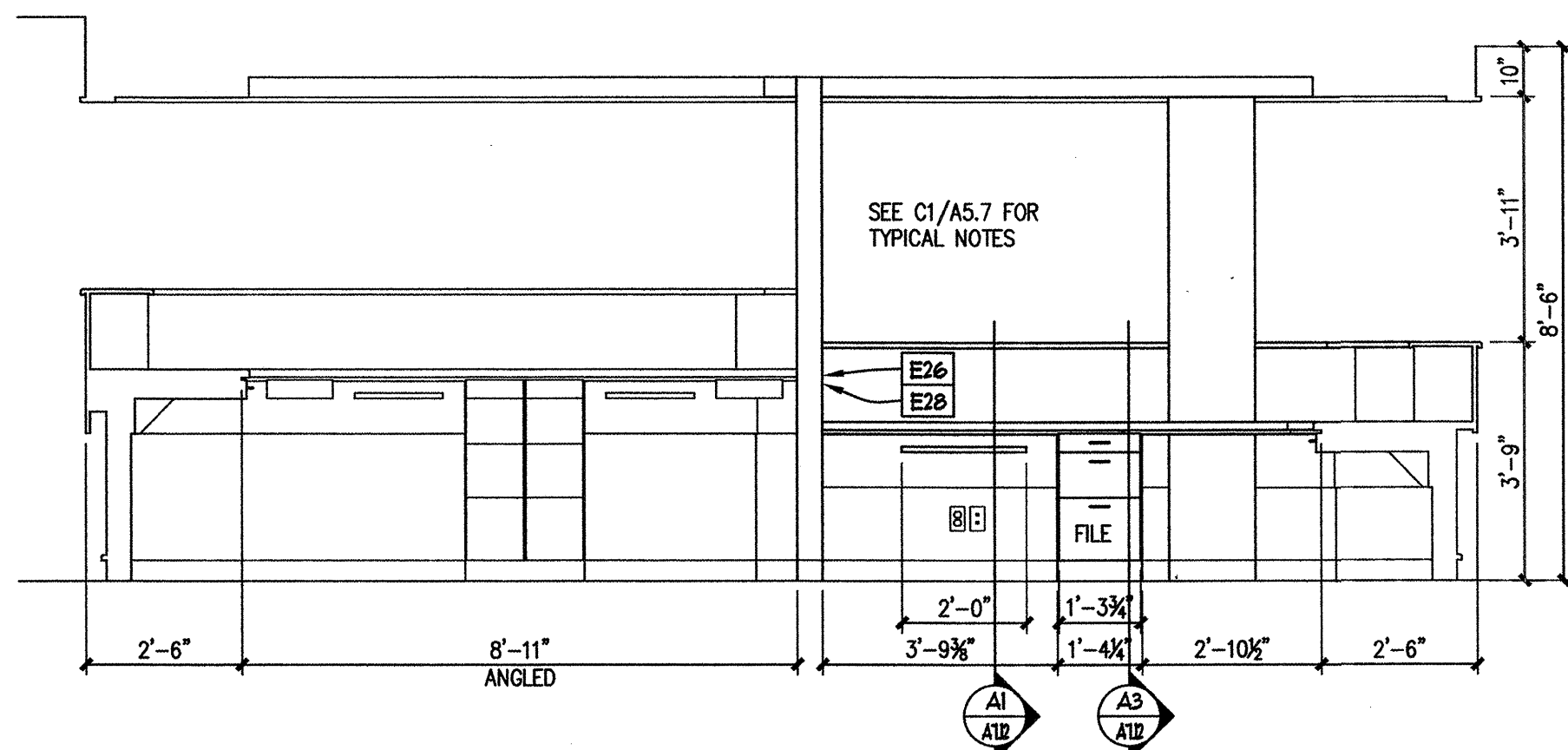
A5.6



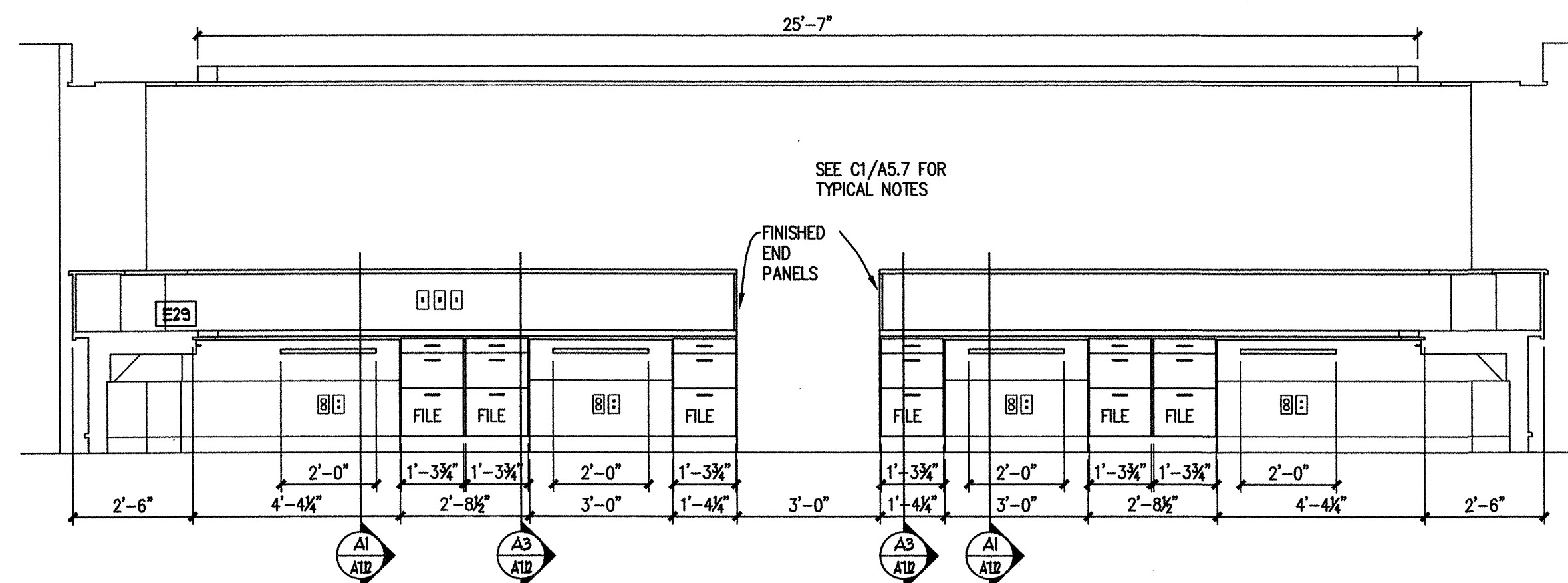
C1 RECEPTION DESK - RM 184
3/8" = 1'-0"



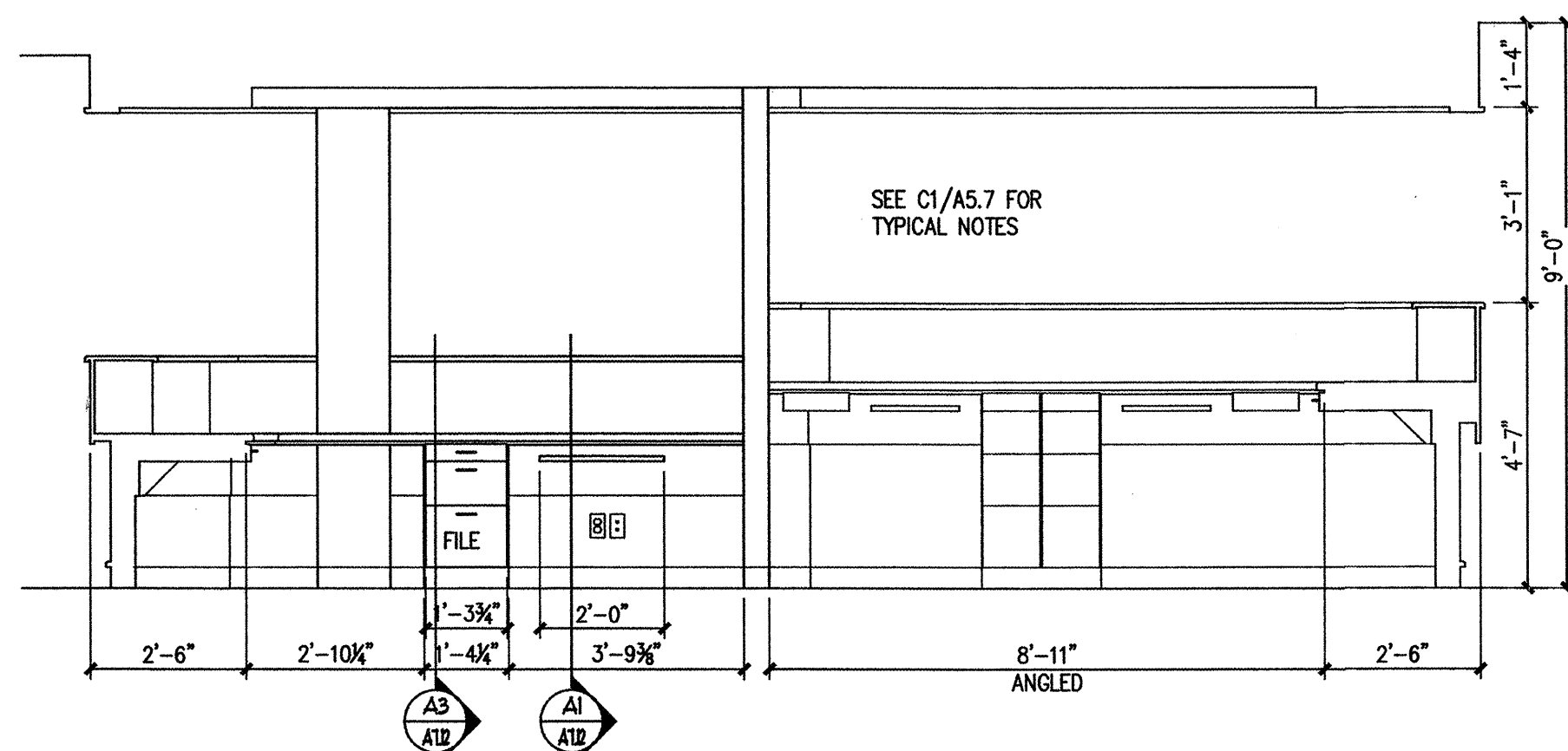
C3 RECEPTION DESK - RM 184
3/8" = 1'-0"



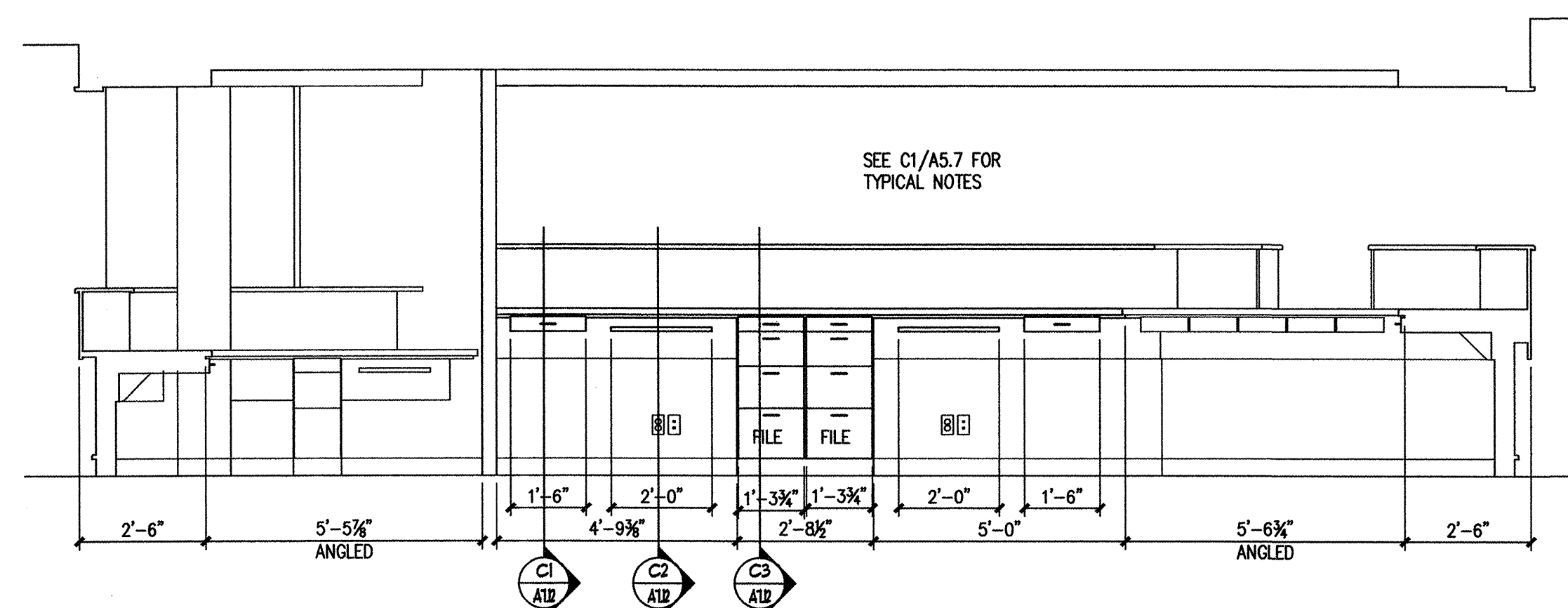
B1 RECEPTION DESK - RM 184/REAPPOINT. - RM 190
3/8" = 1'-0"



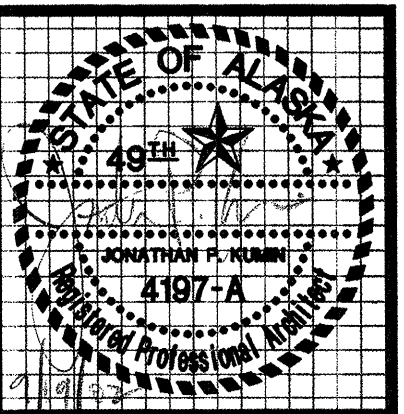
B3 REAPPOINT. - RM 190/189
3/8" = 1'-0"



A1 REAPPOINT. - RM 189/RECEPTION DESK - RM 184
3/8" = 1'-0"



A3 RECEPTION DESK - RM 184
3/8" = 1'-0"



kumin associates, inc.
architects • planners • interior designers
2007 University Ave SE #200
Minneapolis, Minnesota 55414
612.379.9263
http://www.kumin.com

Sjoquist Architects, Inc.
2007 University Ave SE #200
Minneapolis, Minnesota 55414
612.379.9263
http://www.sjoquist.com

SOUTHCENTRAL FOUNDATION
NEW CLINIC FOR
DENTAL, OPTOMETRY and BEHAVIORAL HEALTH
TUDOR RD. and TUDOR CENTER DRIVE, ANCHORAGE, ALASKA

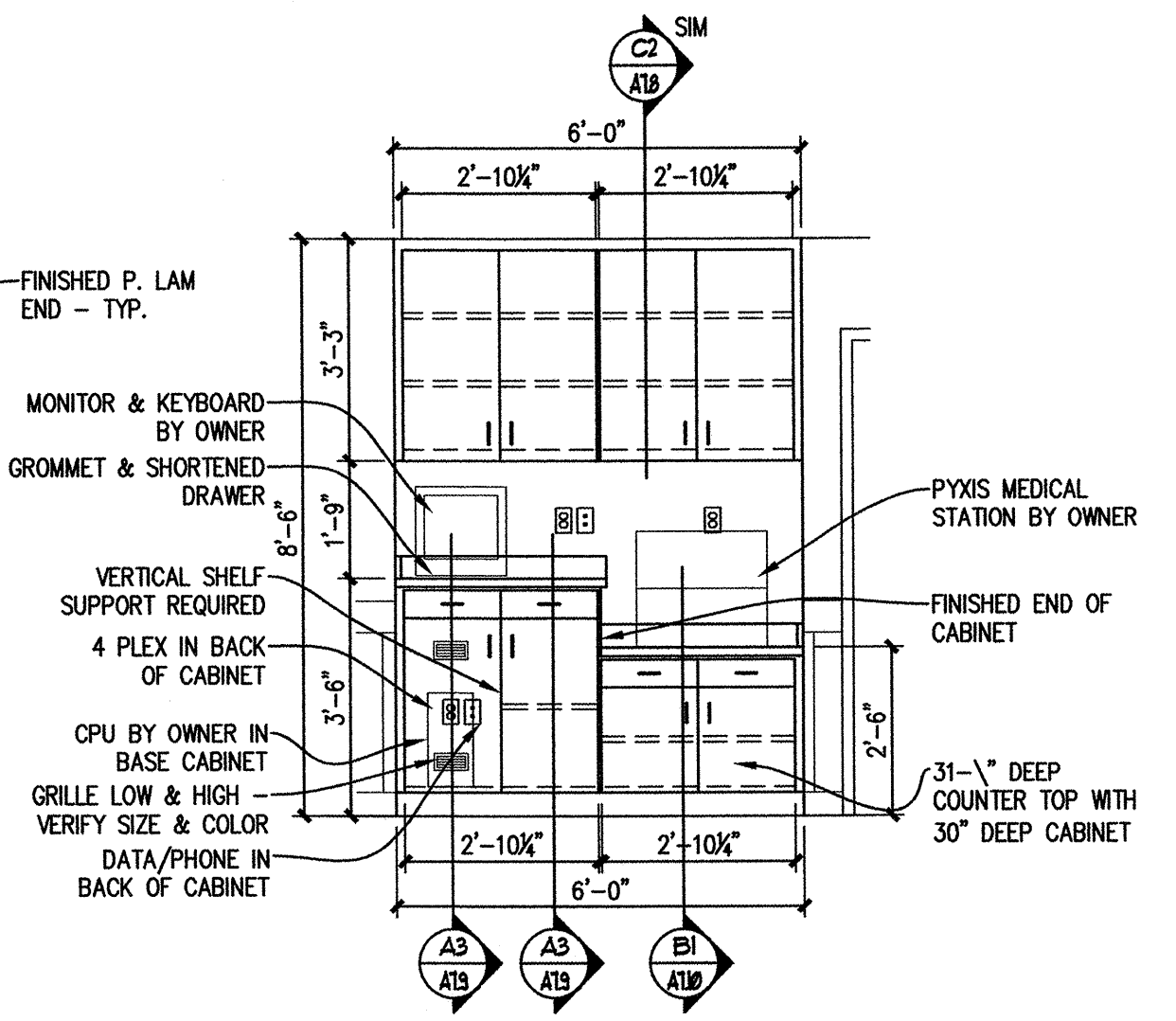
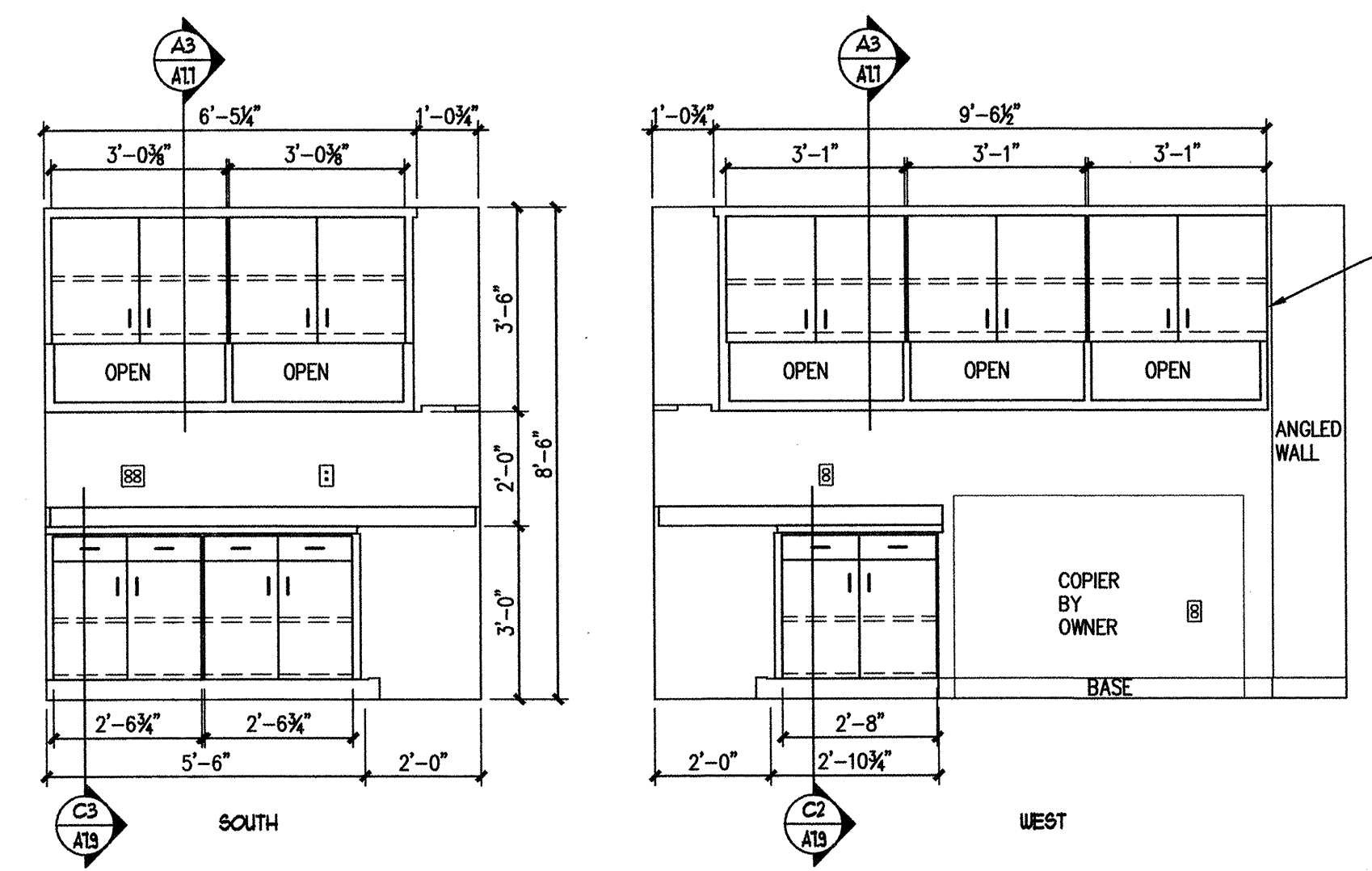
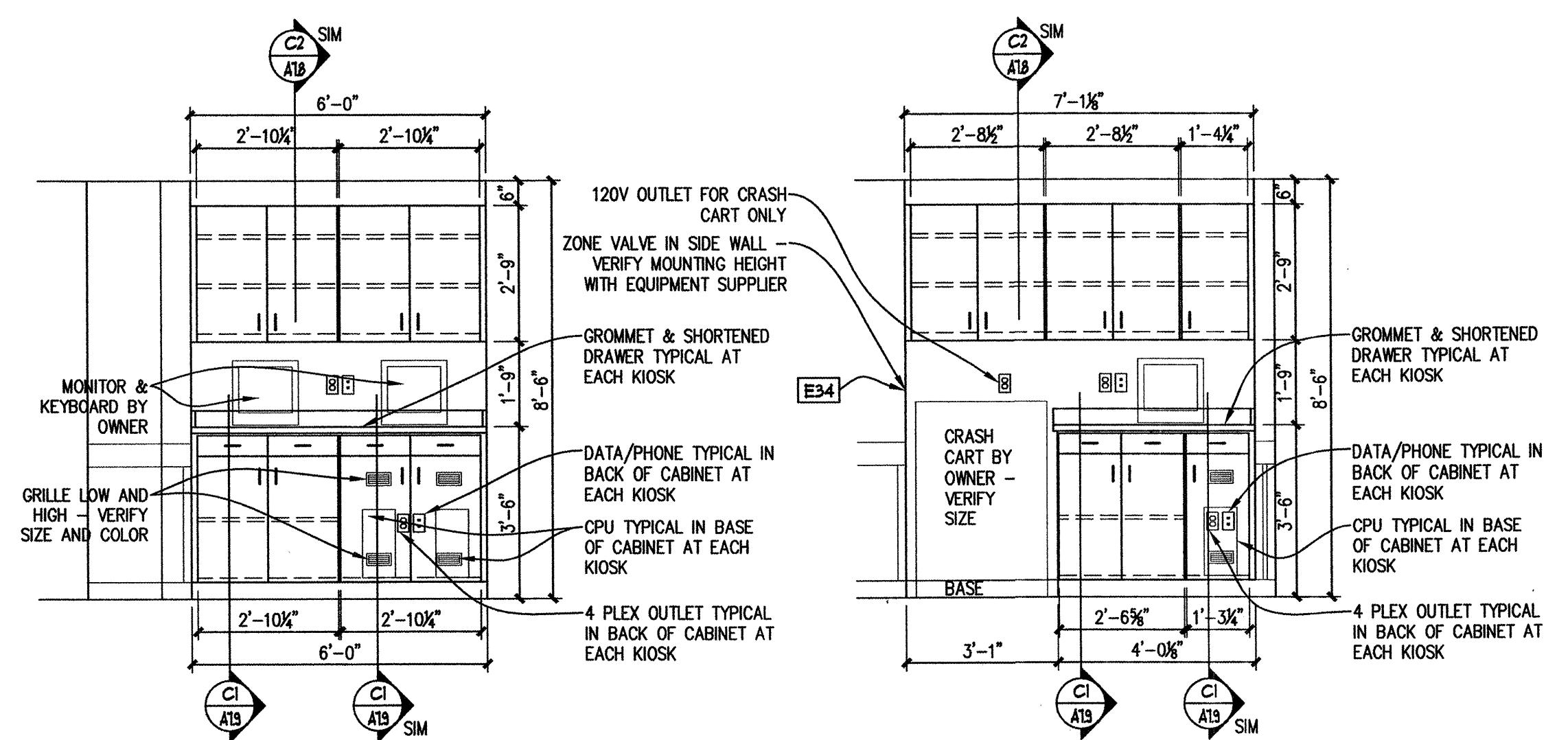
drawn	
checked	DB, JS
date	9-17-02
revisions	
	1 8-26-02 JSZ
job no	20152
dwg title	INTERIOR ELEVATIONS FIRST FLOOR
sheet no	A5.7

100% SUBMITTAL



kumin associates, inc.
interior designers
architects • planners • interior designers

Sjoquist Architects, Inc.
2001 University Ave STE 4200
Minneapolis, Minnesota 55414
612.779.9233 Fax 612.779.9263
http://www.sjoquist.com

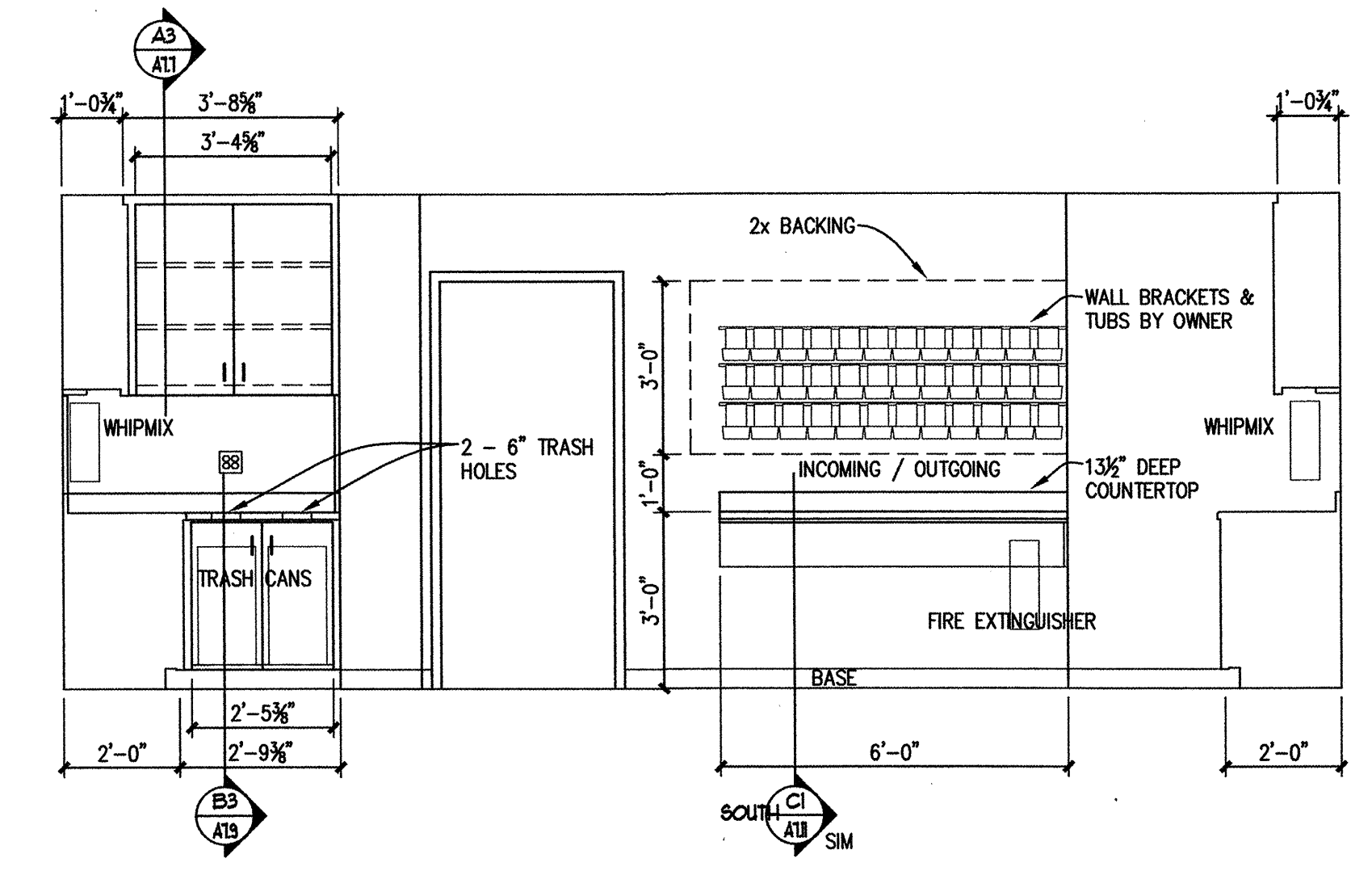
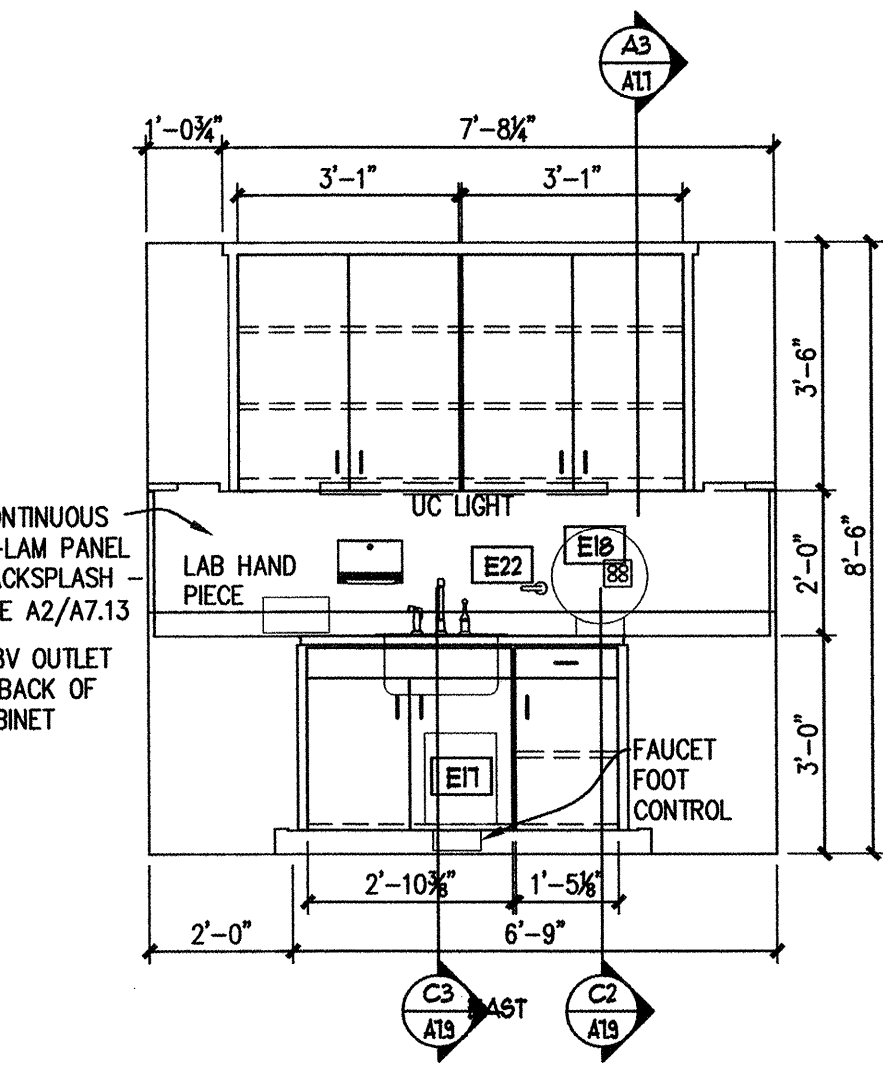
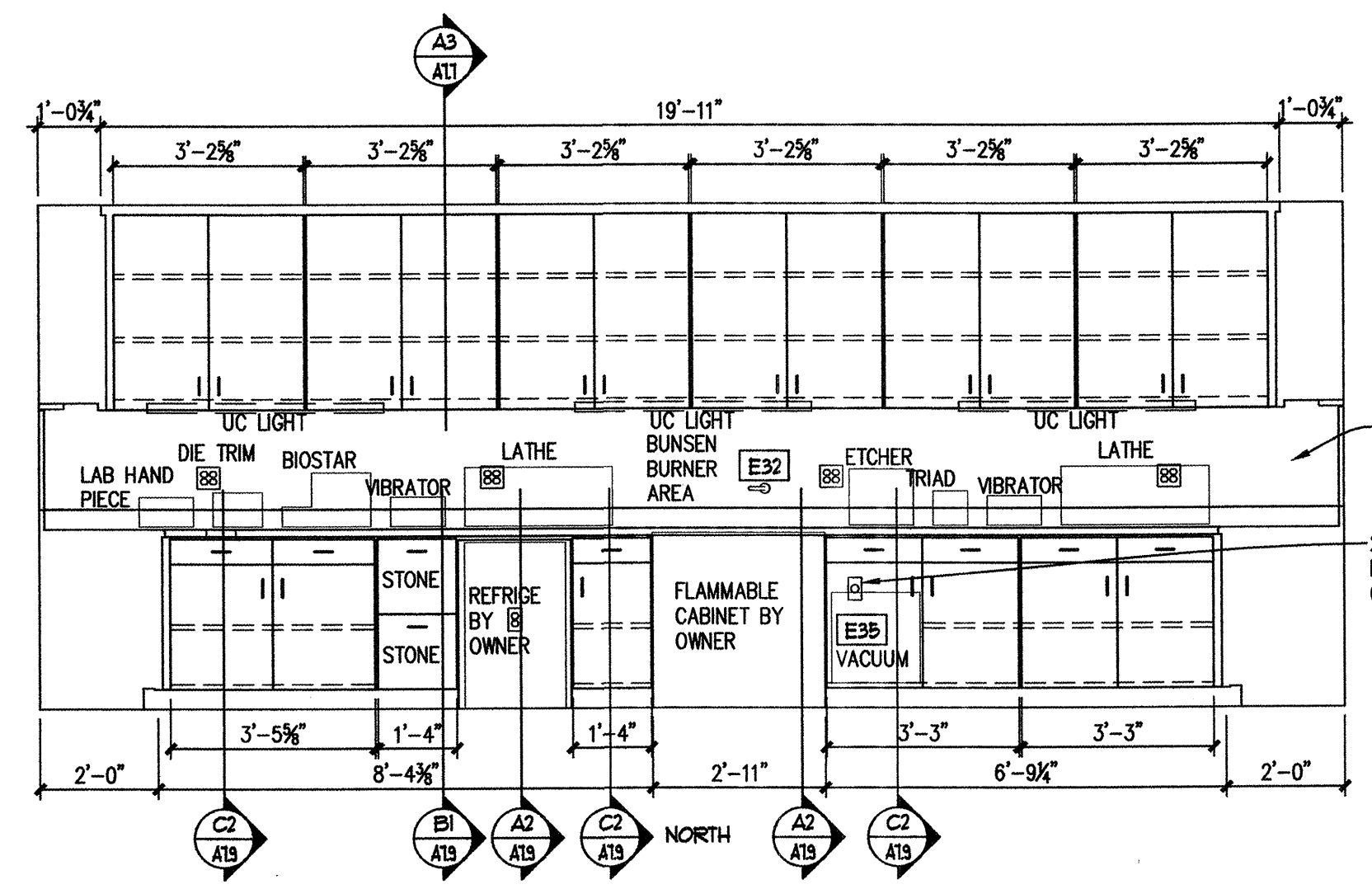
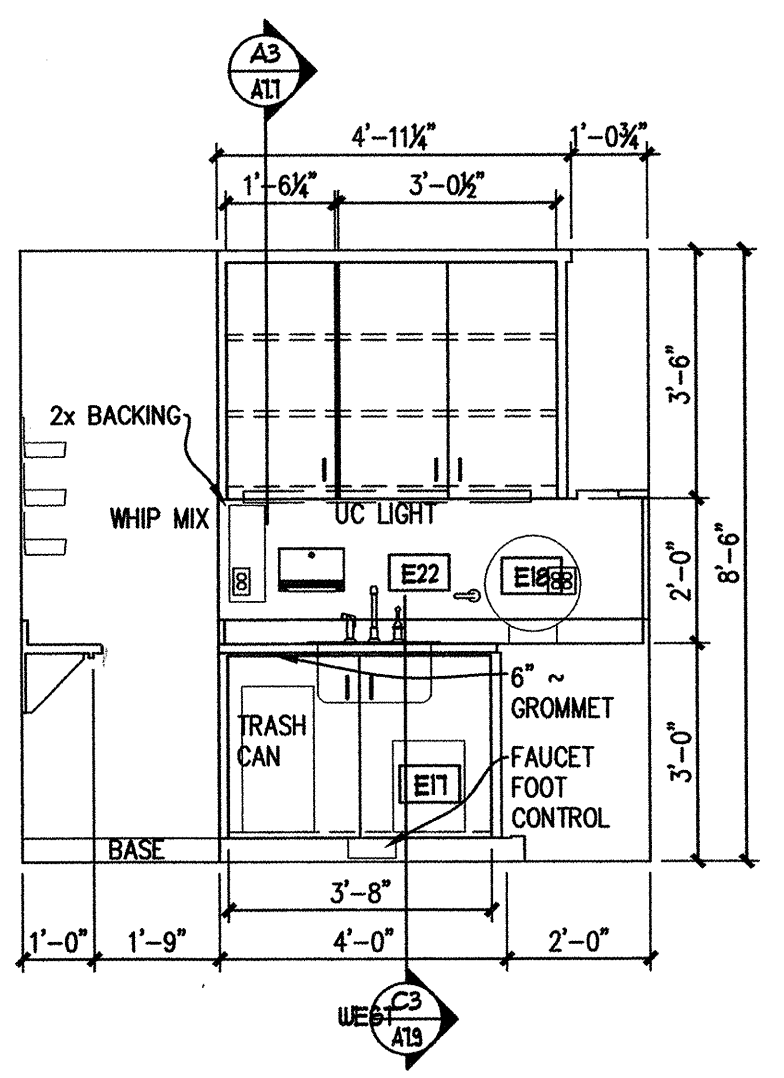


C1 KIOSK AREA - RM 164
3/8" = 1'-0"

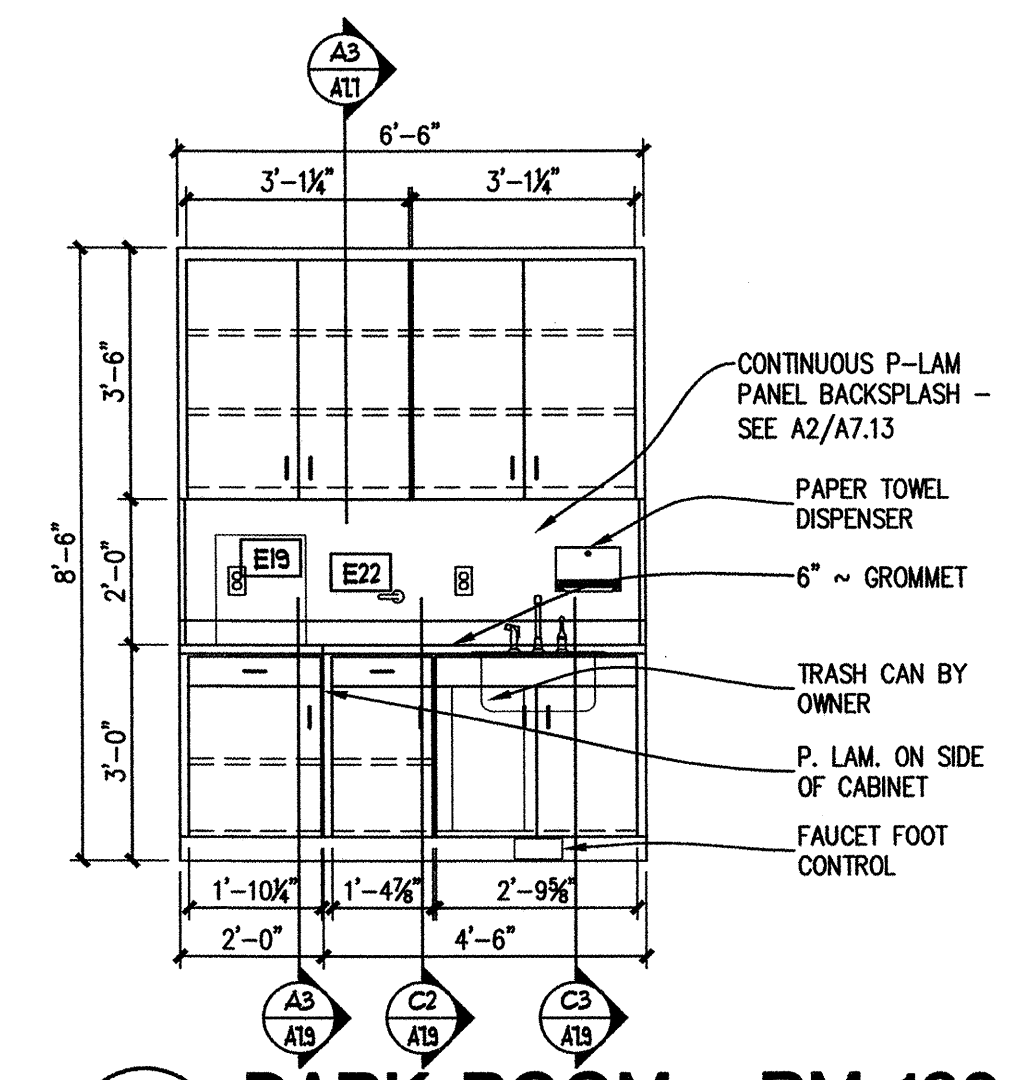
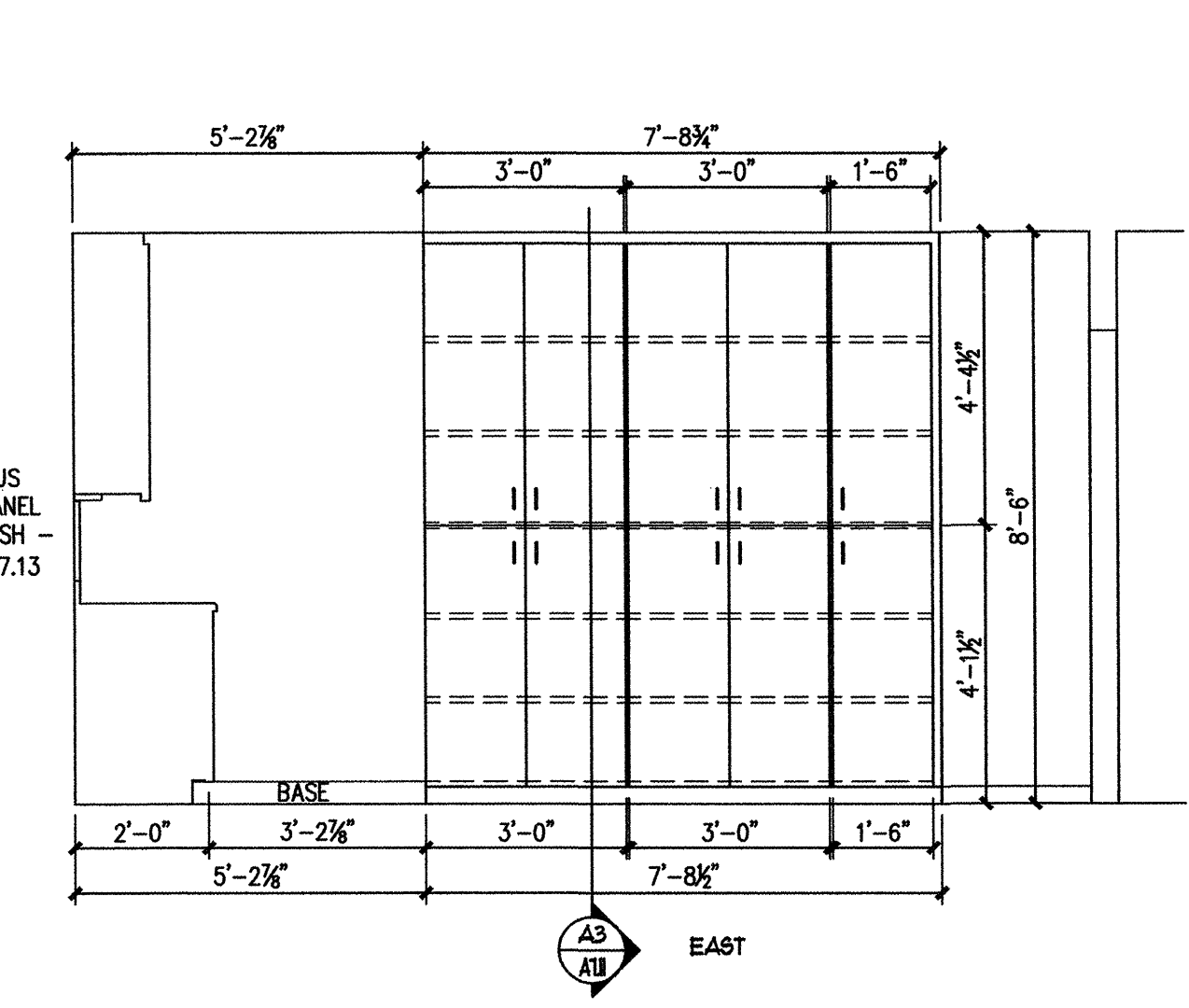
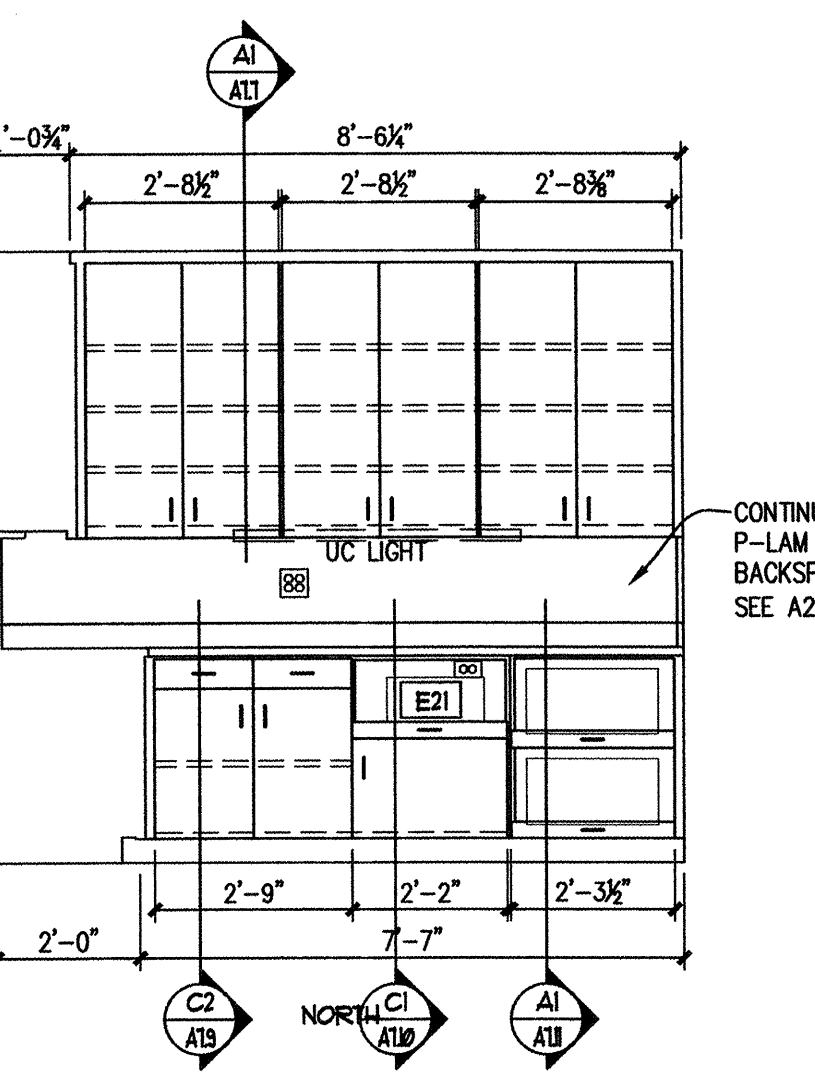
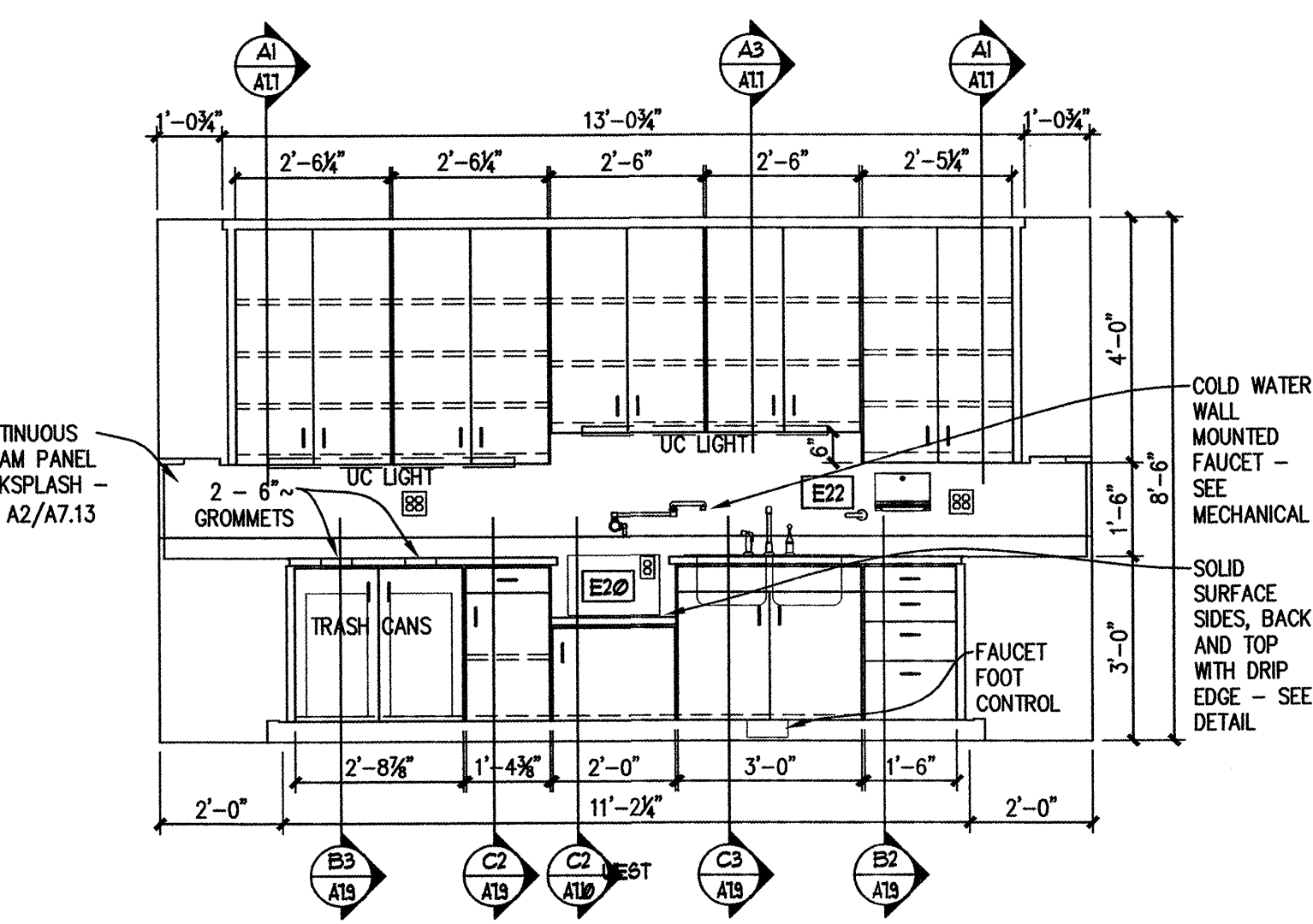
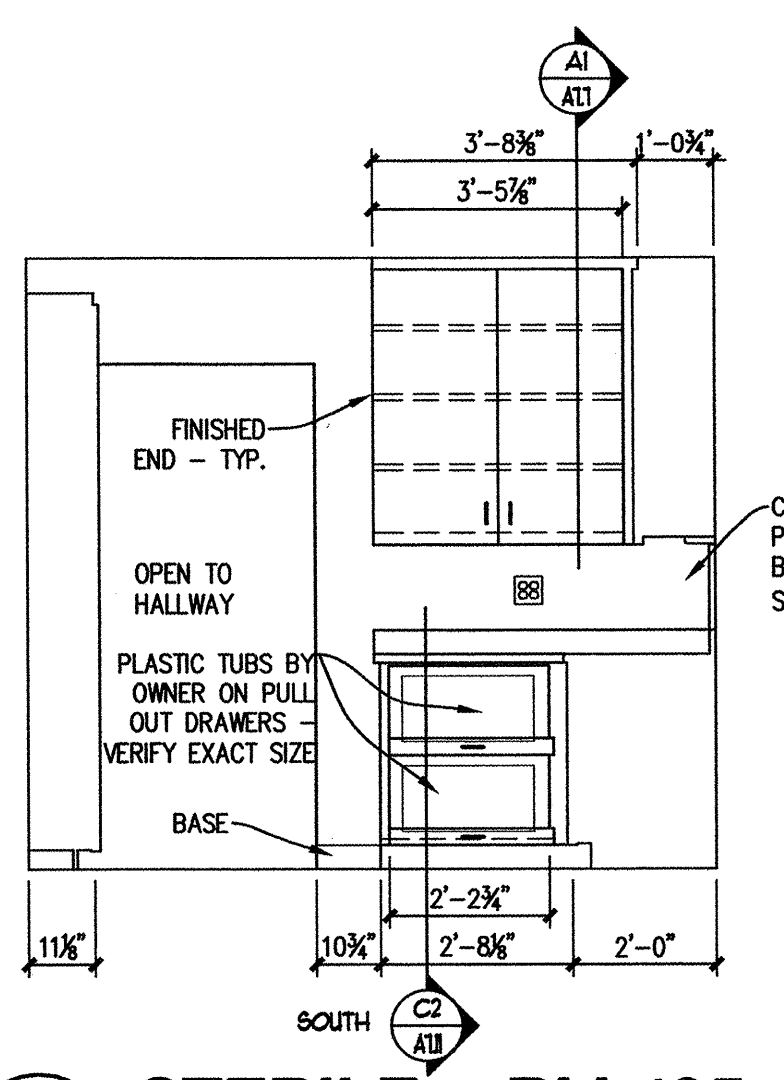
C2 KIOSK AREA - RM 159
3/8" = 1'-0"

C3 COPY ROOM - RM 166
3/8" = 1'-0"

C4 KIOSK AREA - RM 170
3/8" = 1'-0"



C4 LAB - RM 143
3/8" = 1'-0"



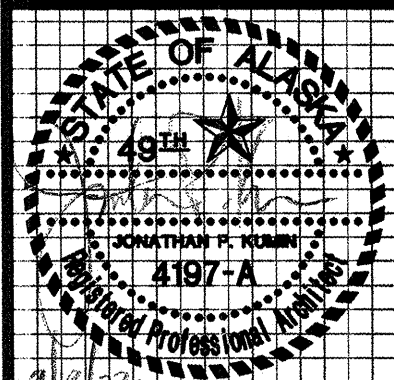
A1 STERILE - RM 165
3/8" = 1'-0"

B3 DARK ROOM - RM 162
3/8" = 1'-0"

SOUTHCENTRAL FOUNDATION
NEW CLINIC FOR
DENTAL, OPTOMETRY and BEHAVIORAL HEALTH
TUDOR RD. and TUDOR CENTER DRIVE ANCHORAGE, ALASKA

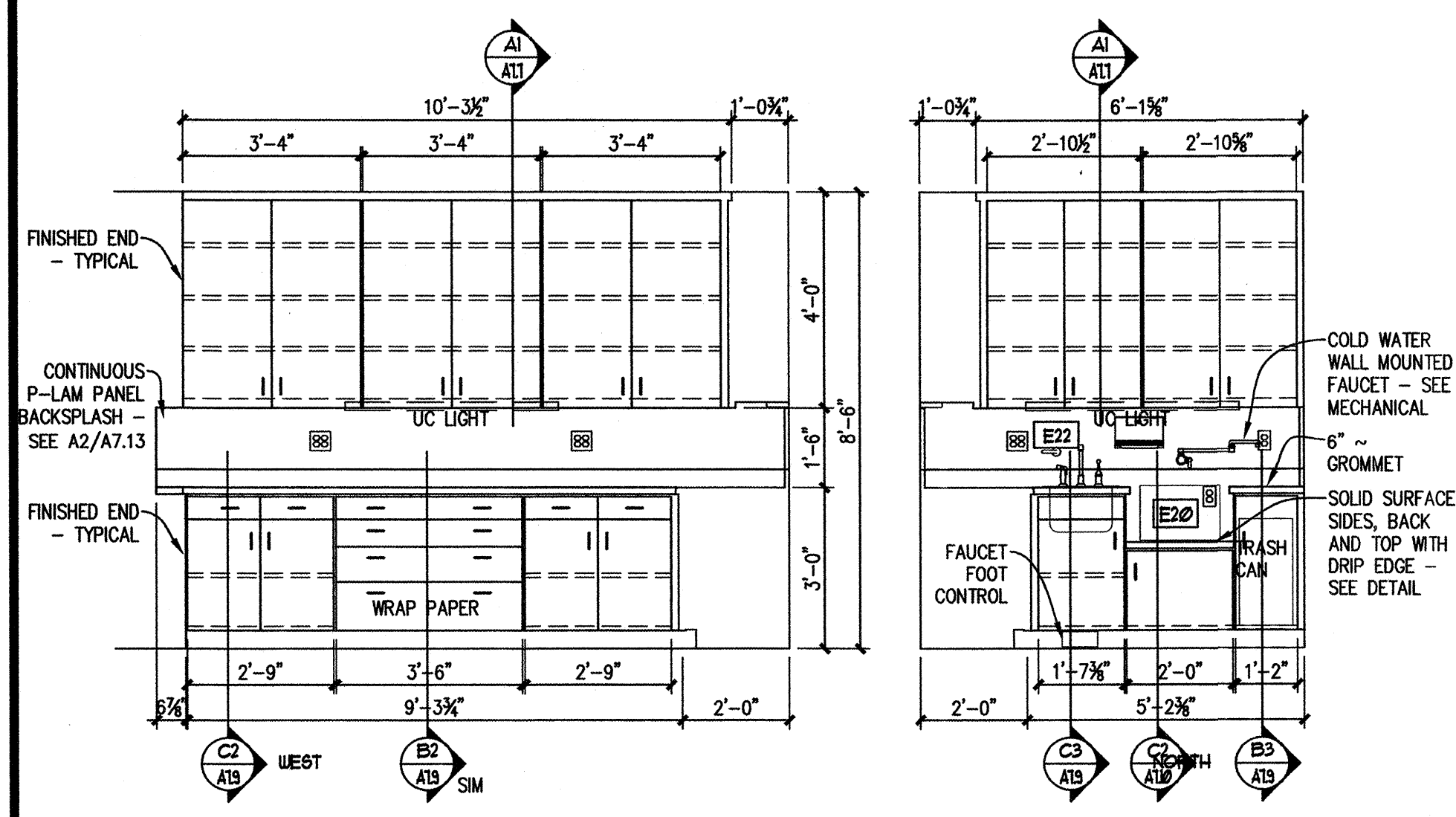
drawn
checked DB, JS
date 9-17-07
revisions
8-25-07 95%
job no. 20152
dwg. title INTERIOR ELEVATIONS FIRST FLOOR
sheet no. 10
A5.9

100% SUBMITTAL

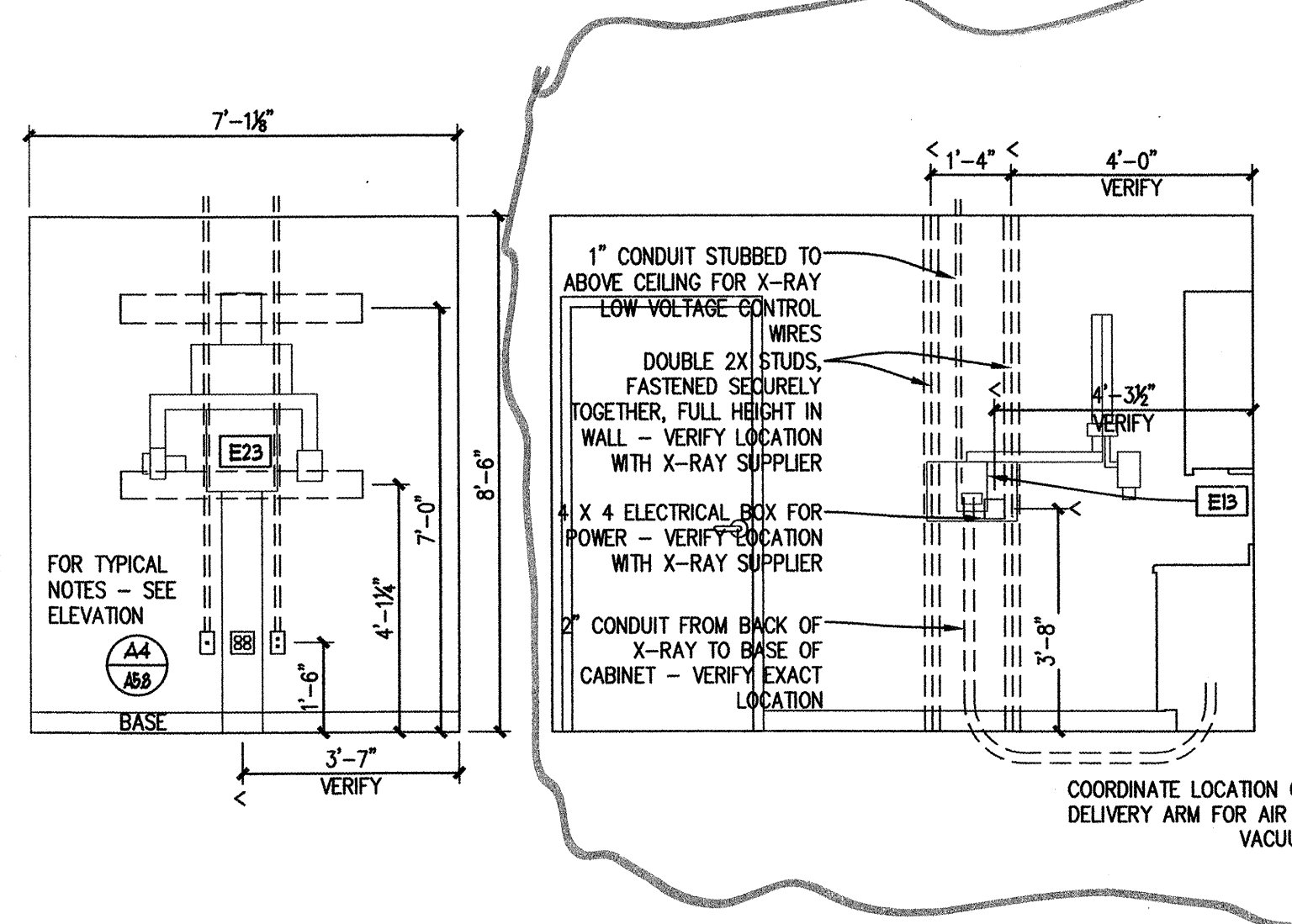


kumin associates, inc.
 architects • planners • interior designers

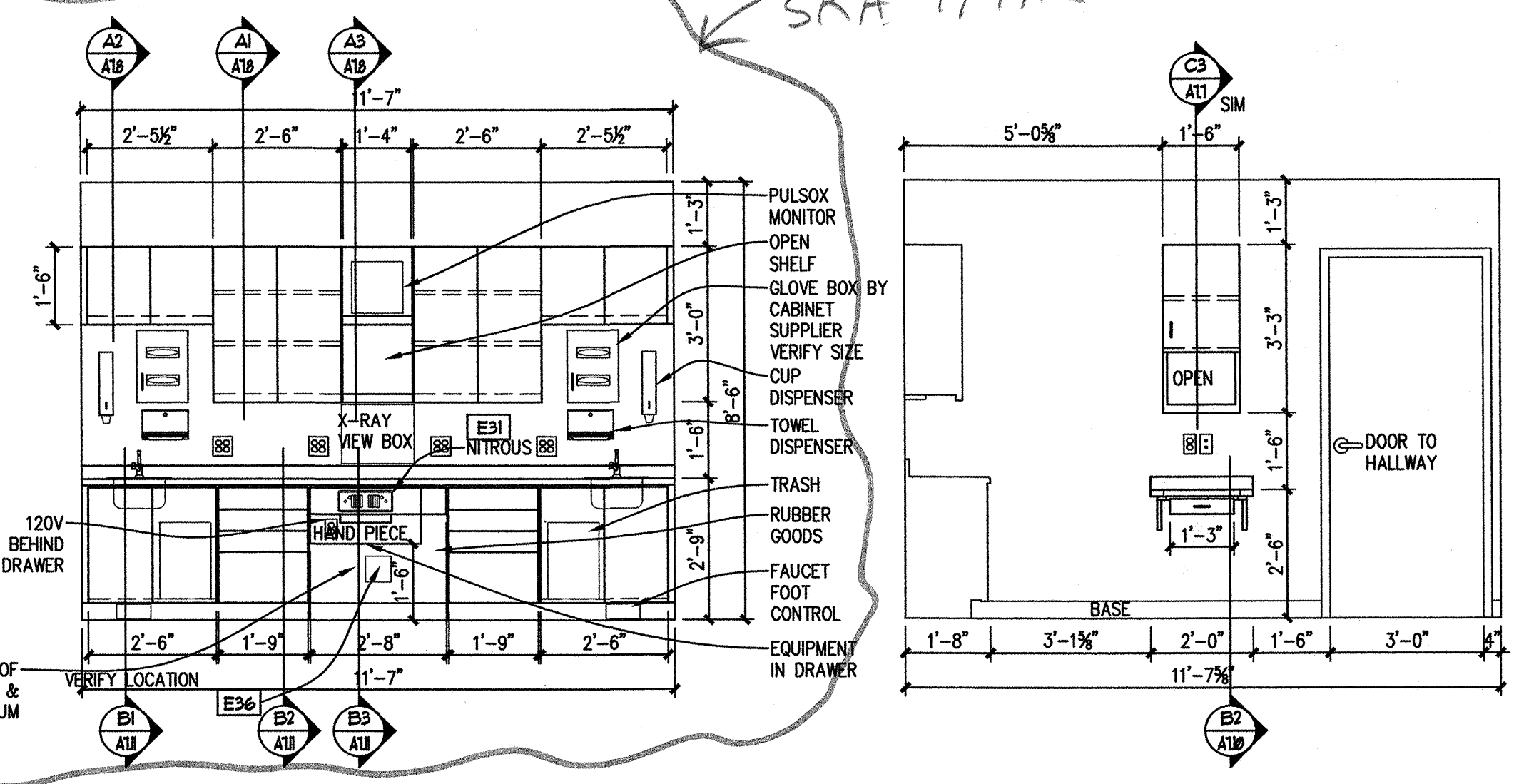
Joquist Architects, Inc.
 2001 University Ave. SE #200
 Minneapolis, Minnesota 55414
 612.379.9233 Fax: 612.379.9263
 http://www.joquist.com



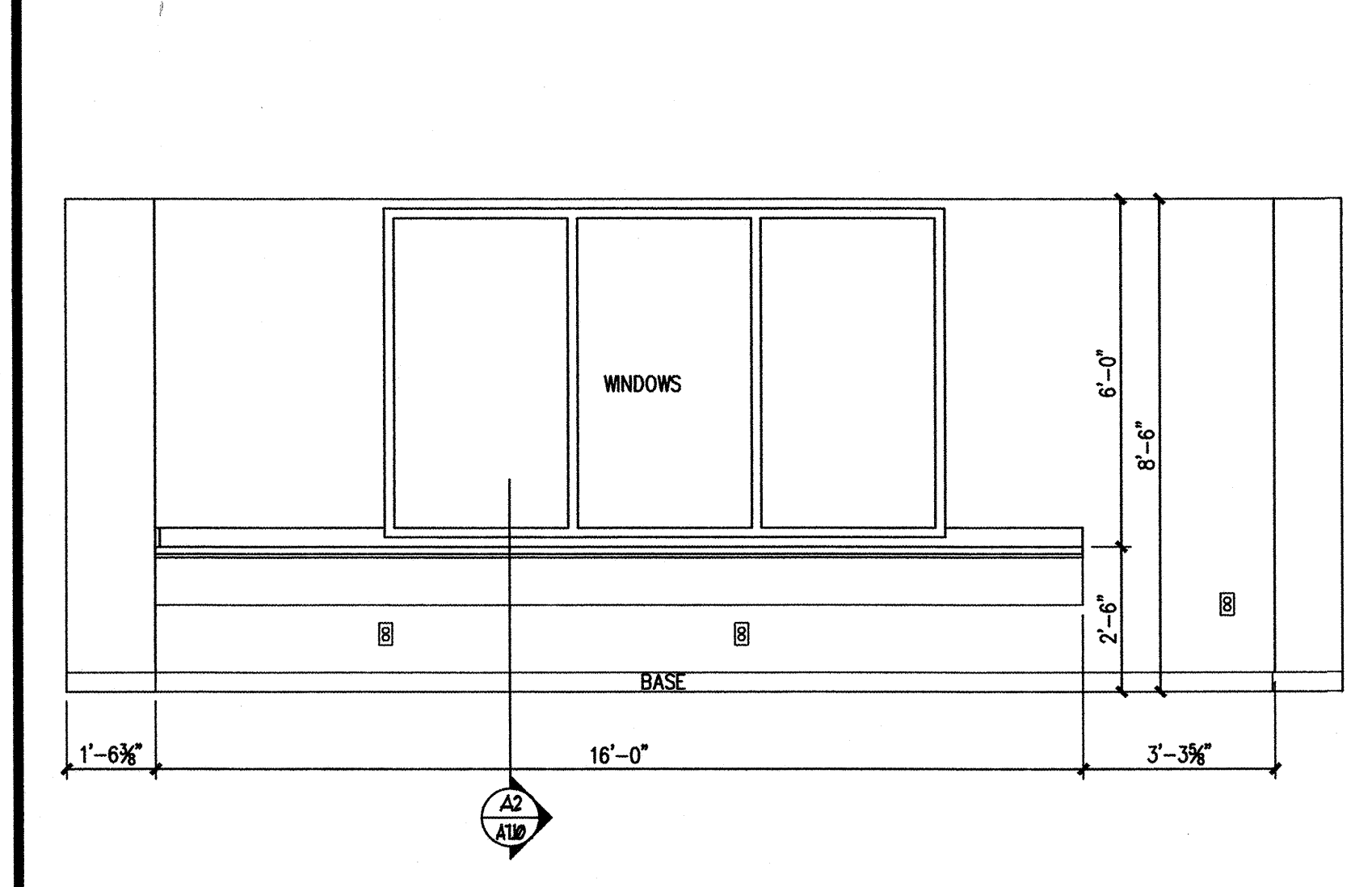
C1 STERILE - RM 173
 3/8" = 1'-0"



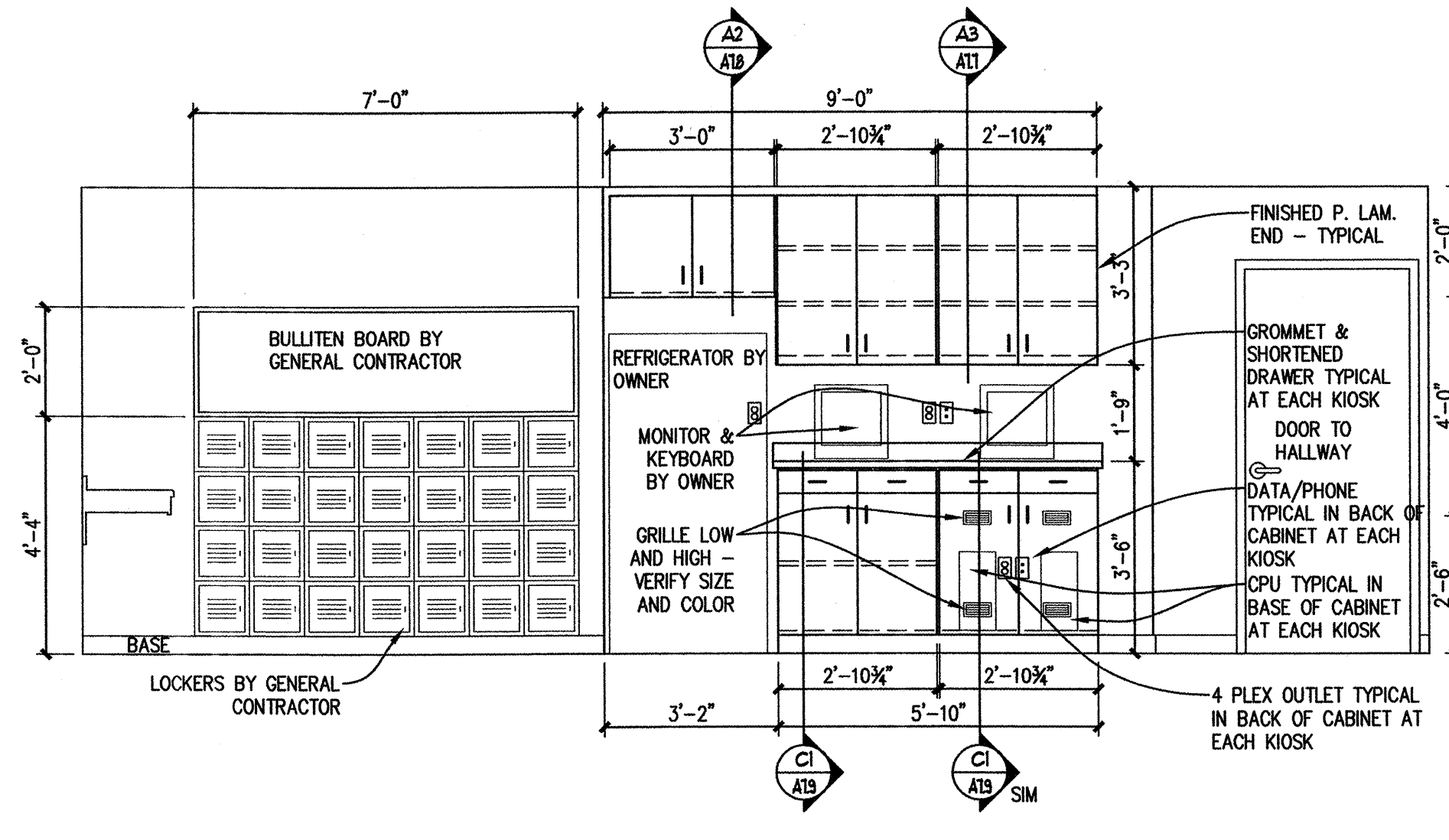
C3 PANORAMIC - RM 161
 3/8" = 1'-0"



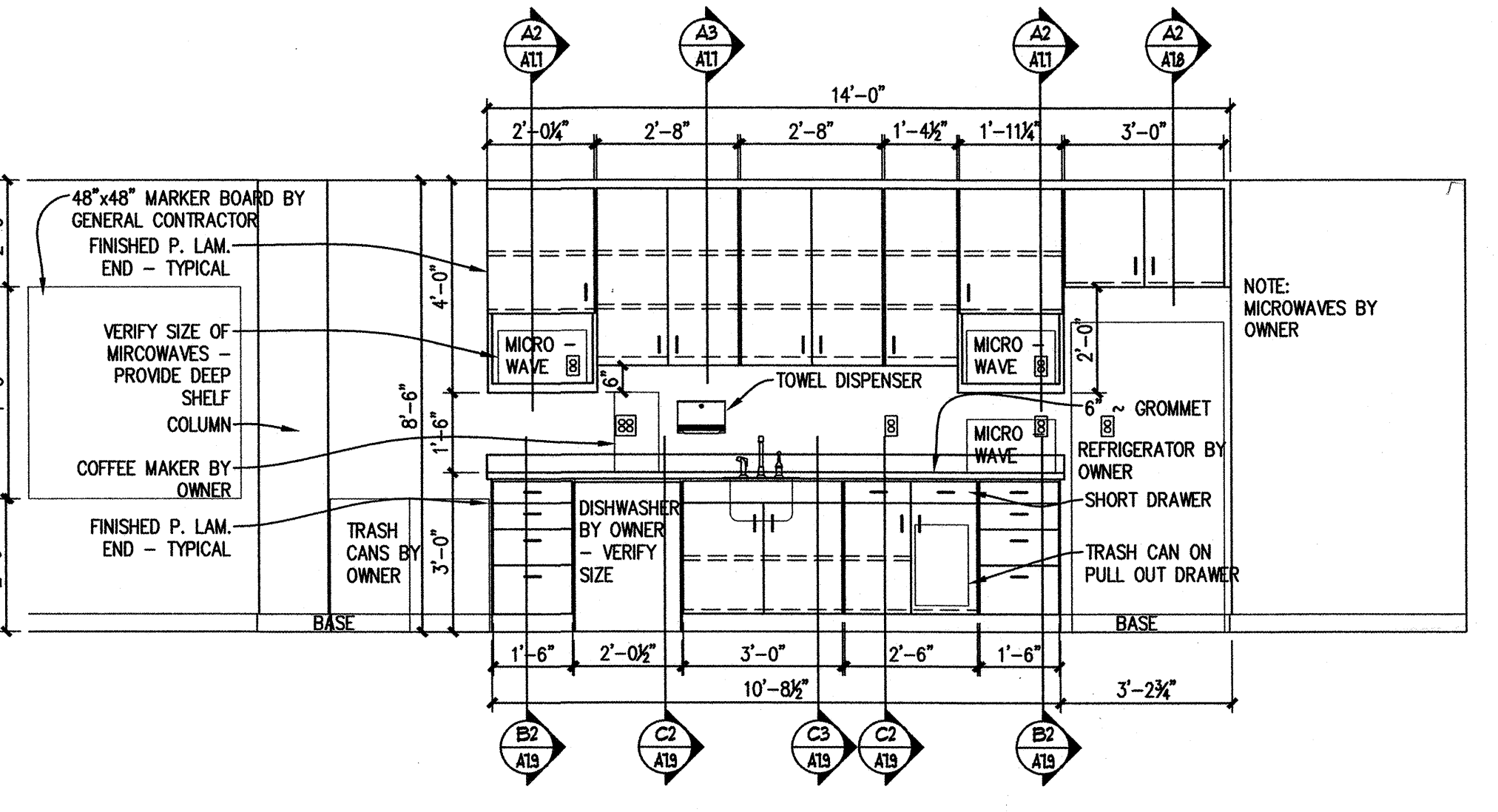
C4 ORAL SURGERY - RM 172, 174 & 175
 3/8" = 1'-0"



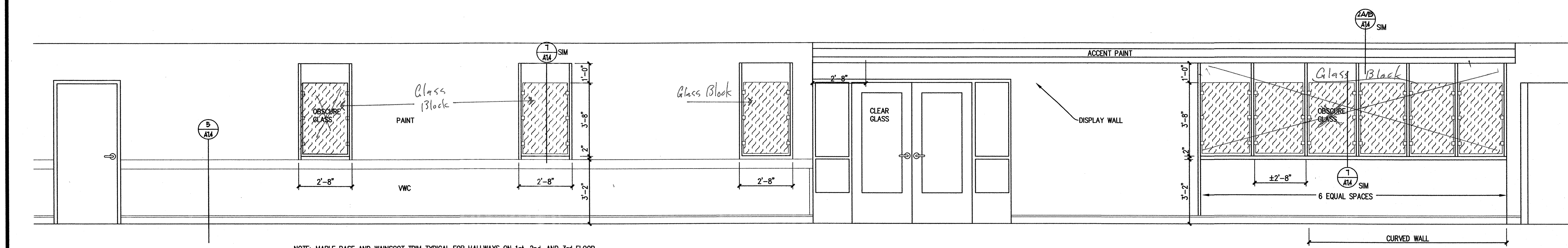
B1 STAFF KITCHENETTE - RM 178
 3/8" = 1'-0"



B3 KIOSK / LOCKER AREA - RM 179
 3/8" = 1'-0"



B4 STAFF LOUNGE - RM 178
 3/8" = 1'-0"



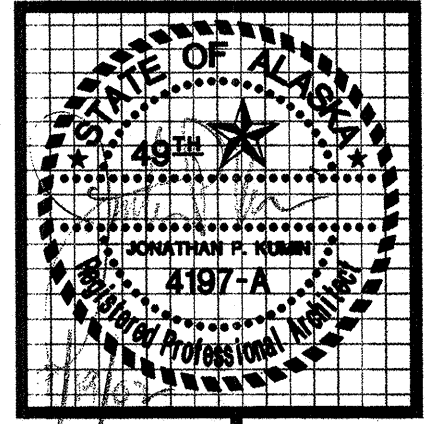
A1 HALLWAY RM 182 / LOBBY - RM 102
 3/8" = 1'-0"

NOTE: MAPLE BASE AND WAINSCOT TRIM TYPICAL FOR HALLWAYS ON 1st, 2nd, AND 3rd FLOOR.
 (AT 1st FLOOR HALLWAYS 106, 114, 128, 135, 144, 155, 160 & 168, SEE DETAIL 6/A7.4)

SOUTHCENTRAL FOUNDATION
 NEW CLINIC FOR
 DENTAL, OPTOMETRY and BEHAVIORAL HEALTH
 TUDOR RD. and TUDOR CENTER DRIVE, ANCHORAGE ALASKA

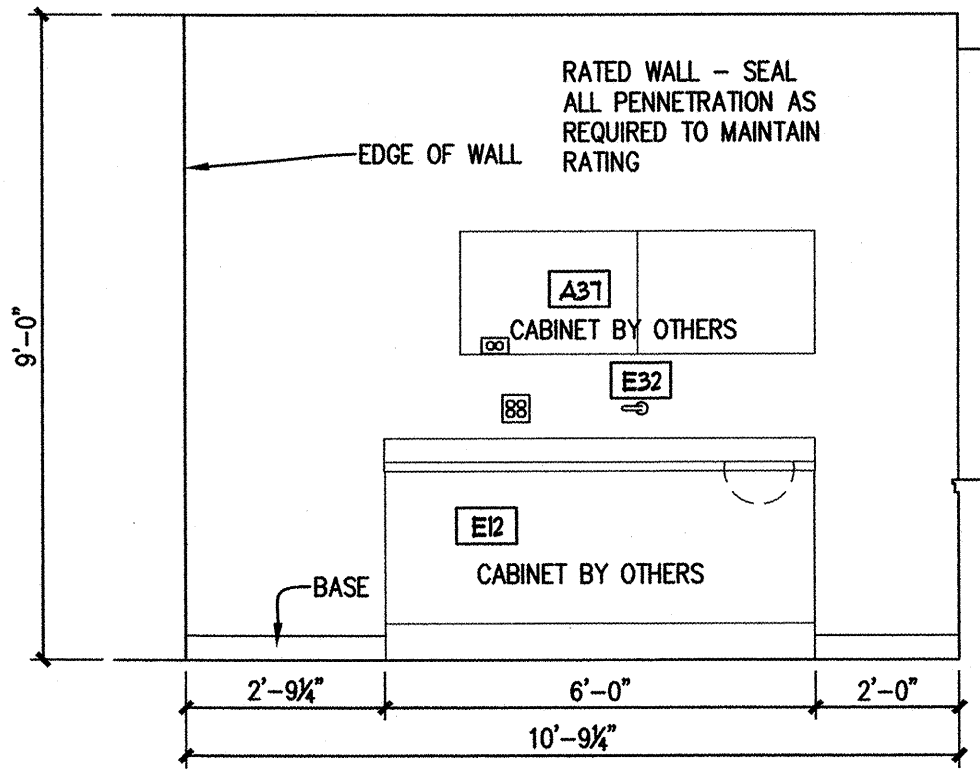
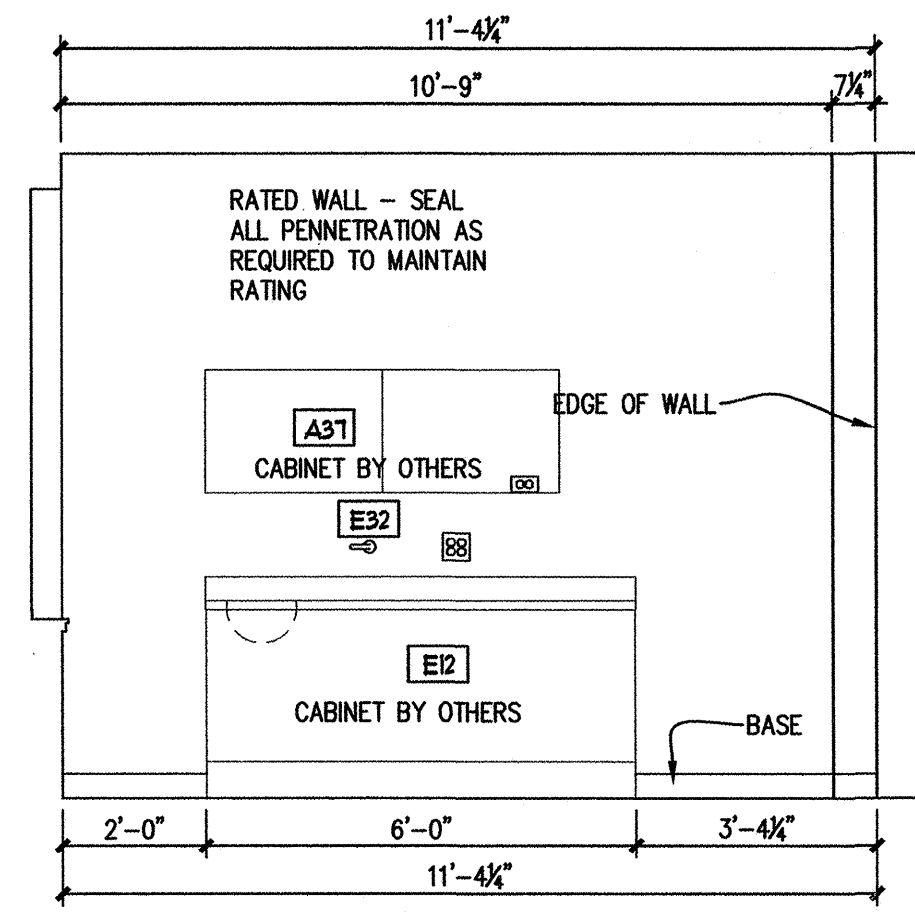
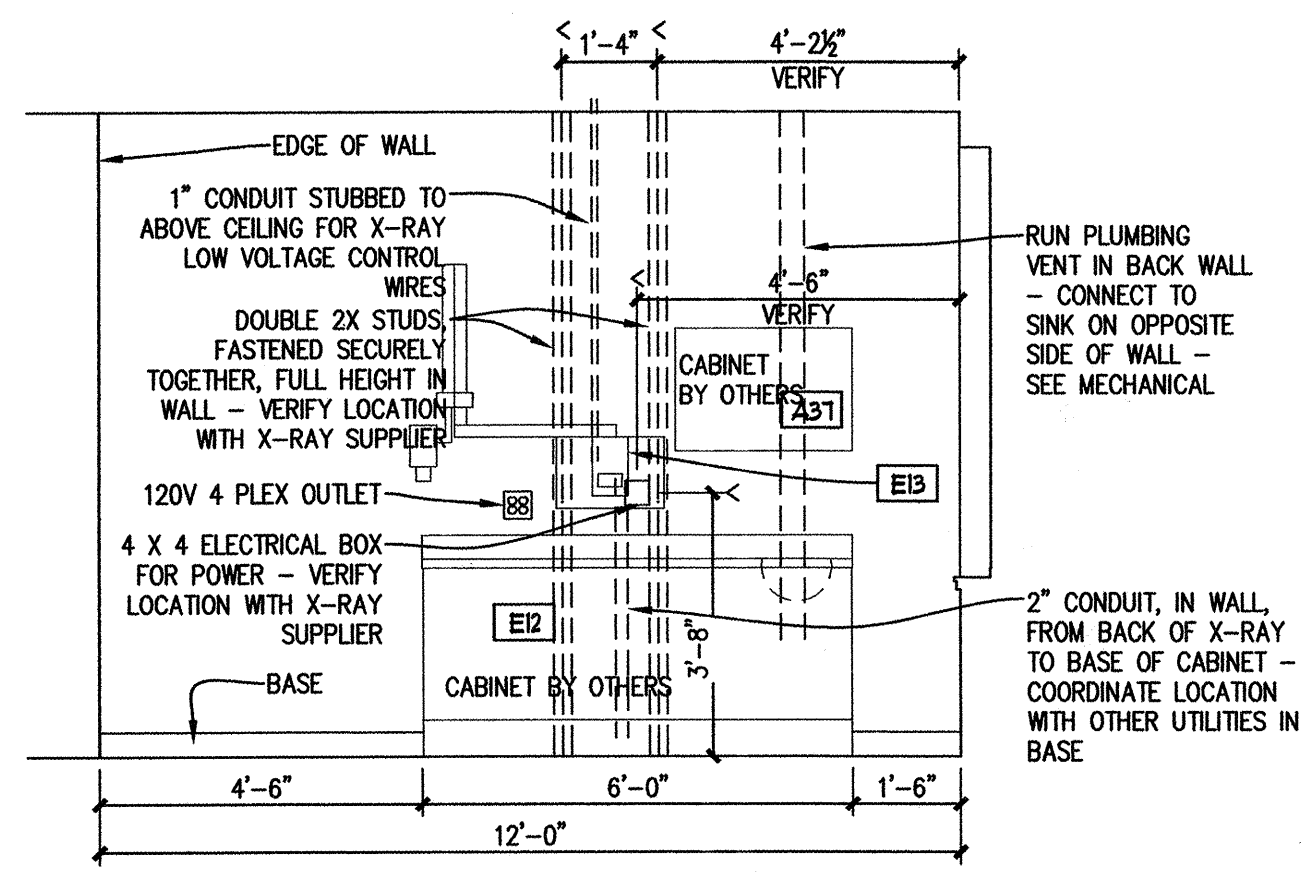
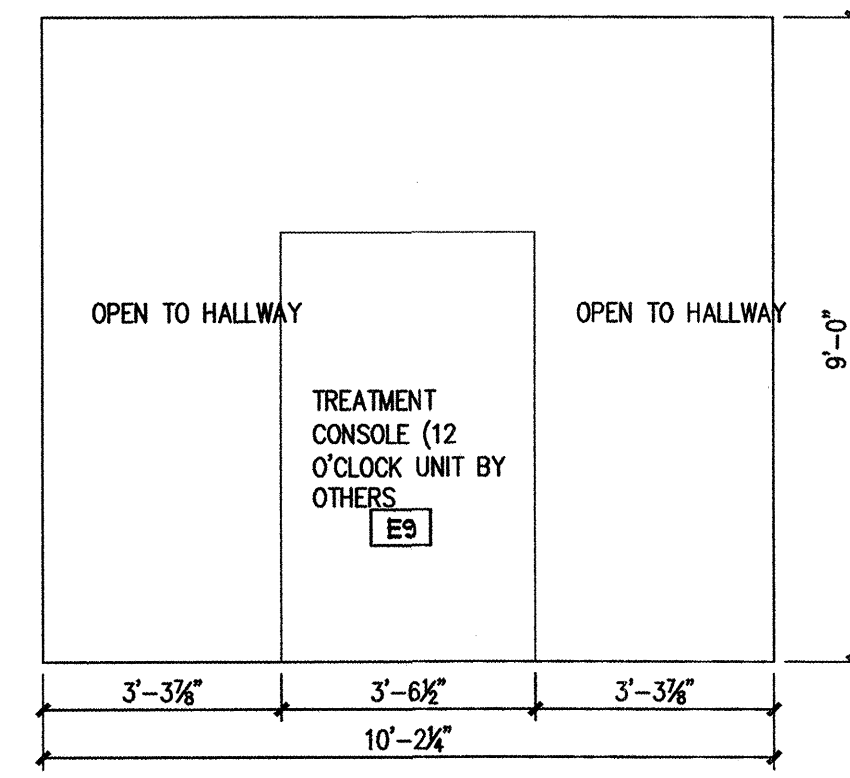
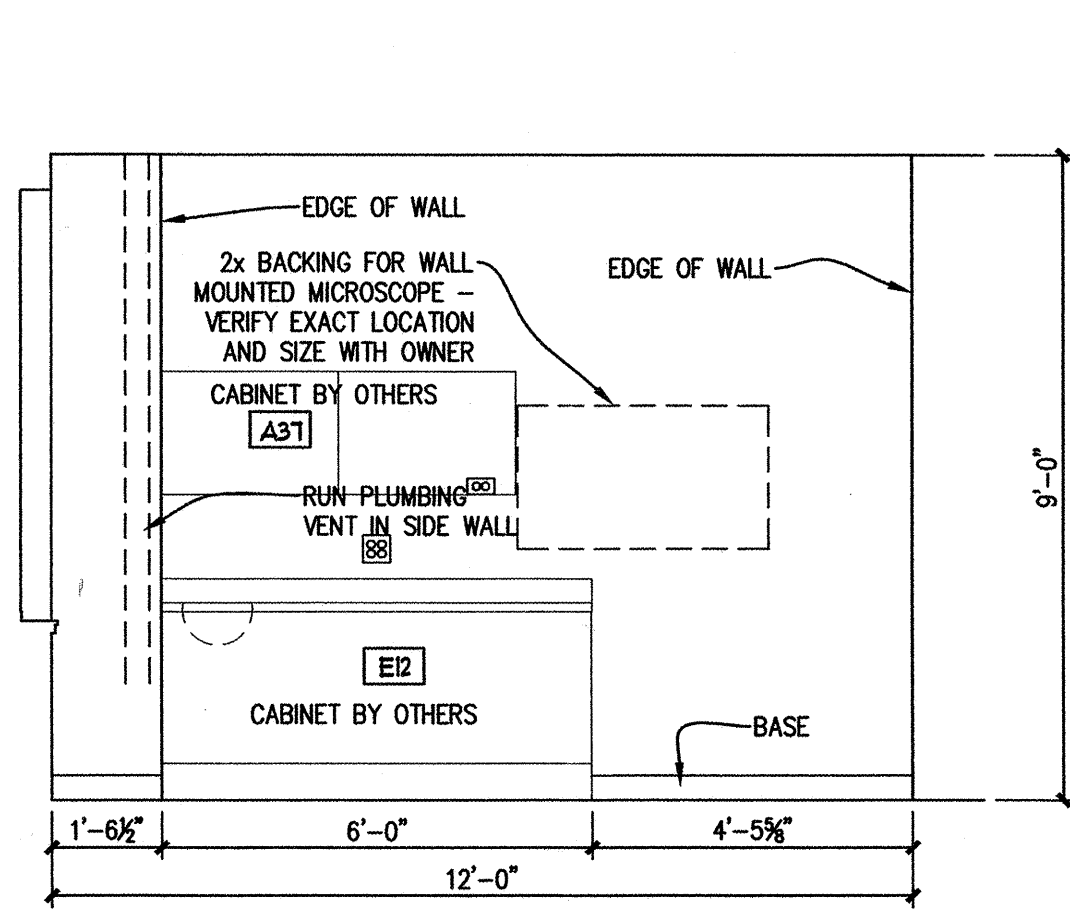
drawn
 checked DB, JS
 date 9-17-02
 revisions
 1 8-26-02 JSK
 job no. 20152
 dwg. title
 INTERIOR ELEVATIONS
 FIRST FLOOR
 sheet no. **A5.10**

100% SUBMITTAL



kumin associates, inc.
 architects • interior designers
 planners

Sjoquist Architects, Inc.
 2001 University Ave. #200
 Minneapolis, Minnesota 55414
 612.379.9233 Fax: 612.379.9263
<http://www.sjoquist.com>

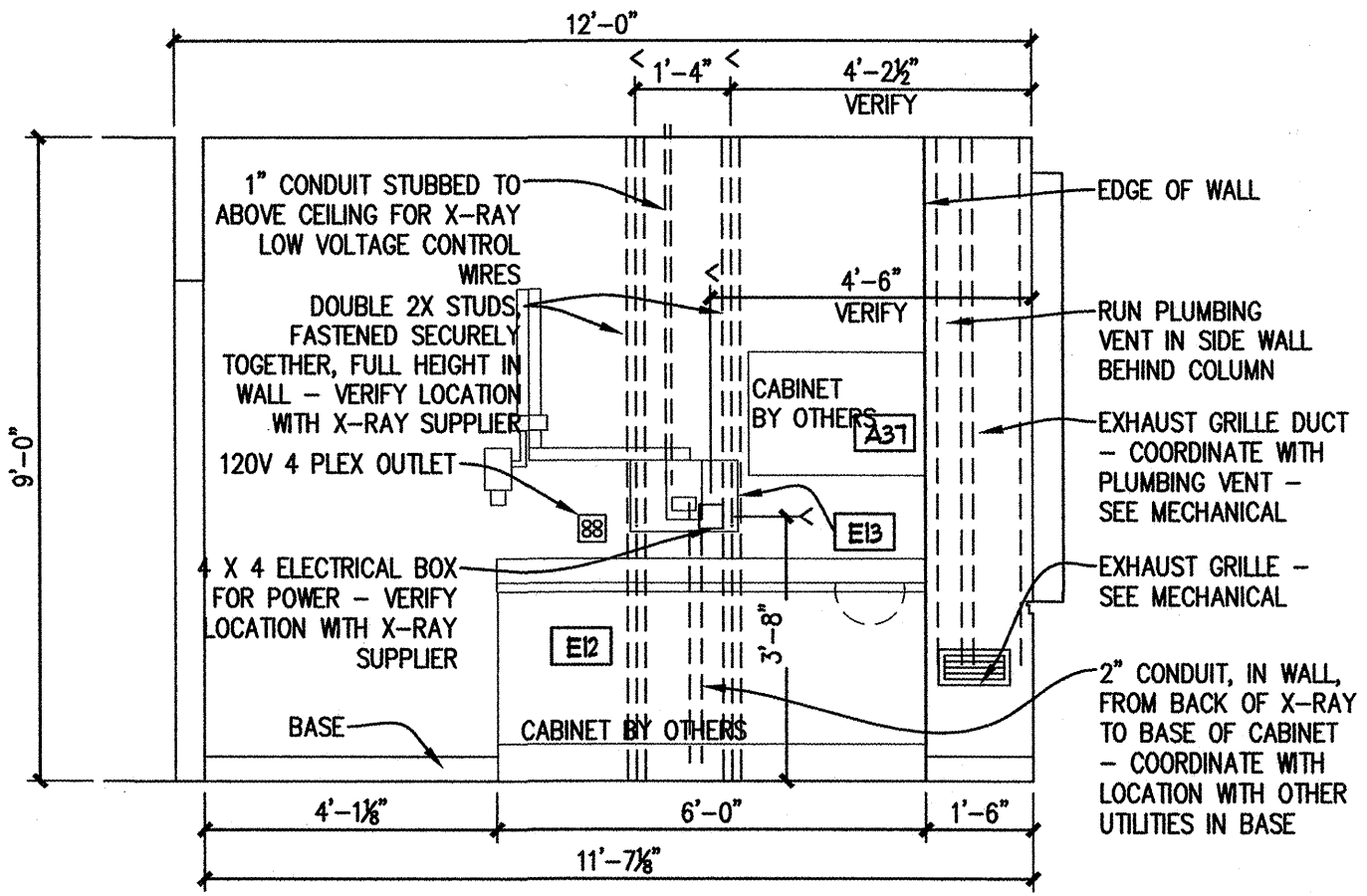
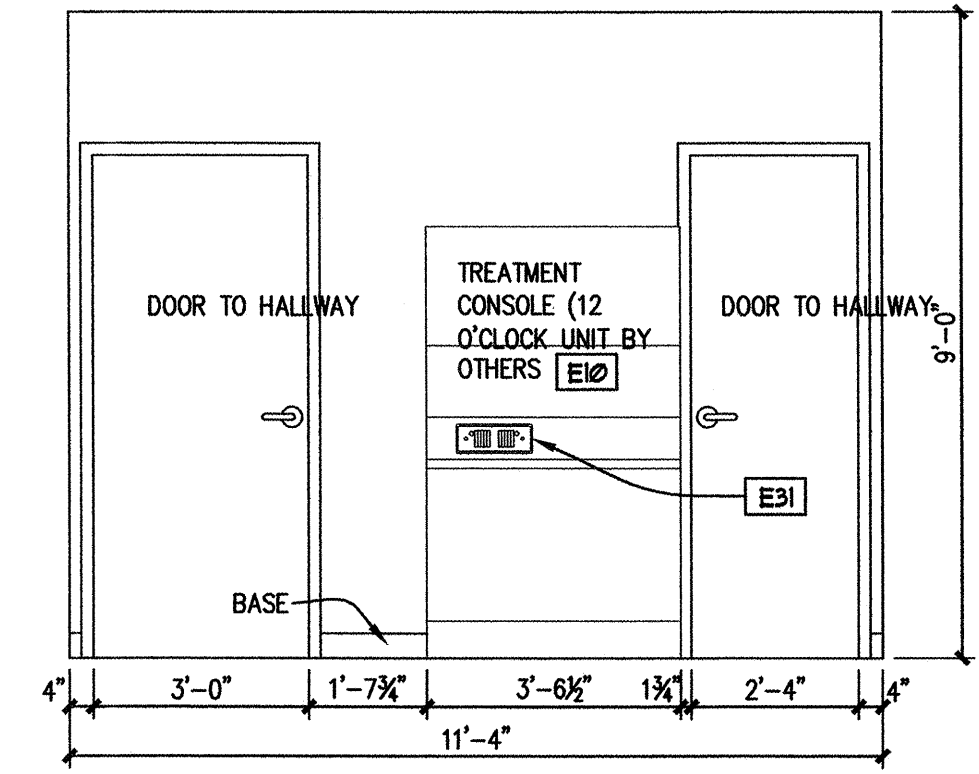
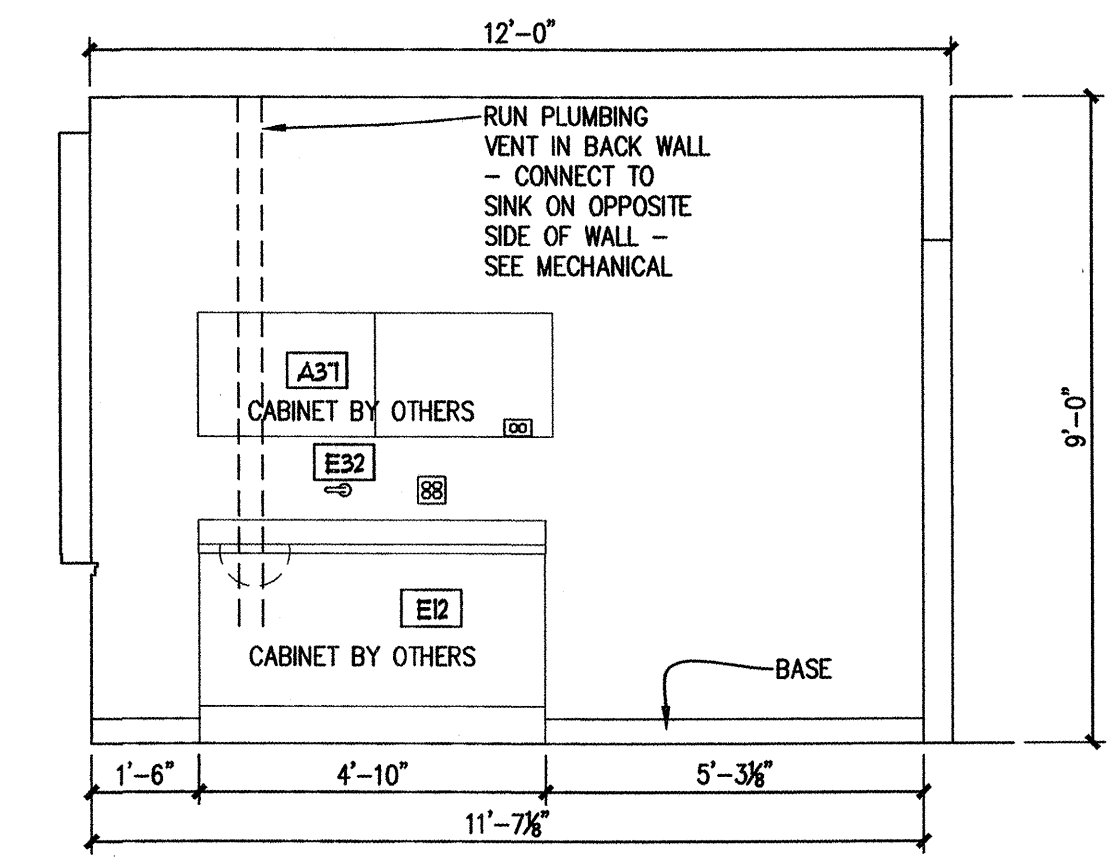
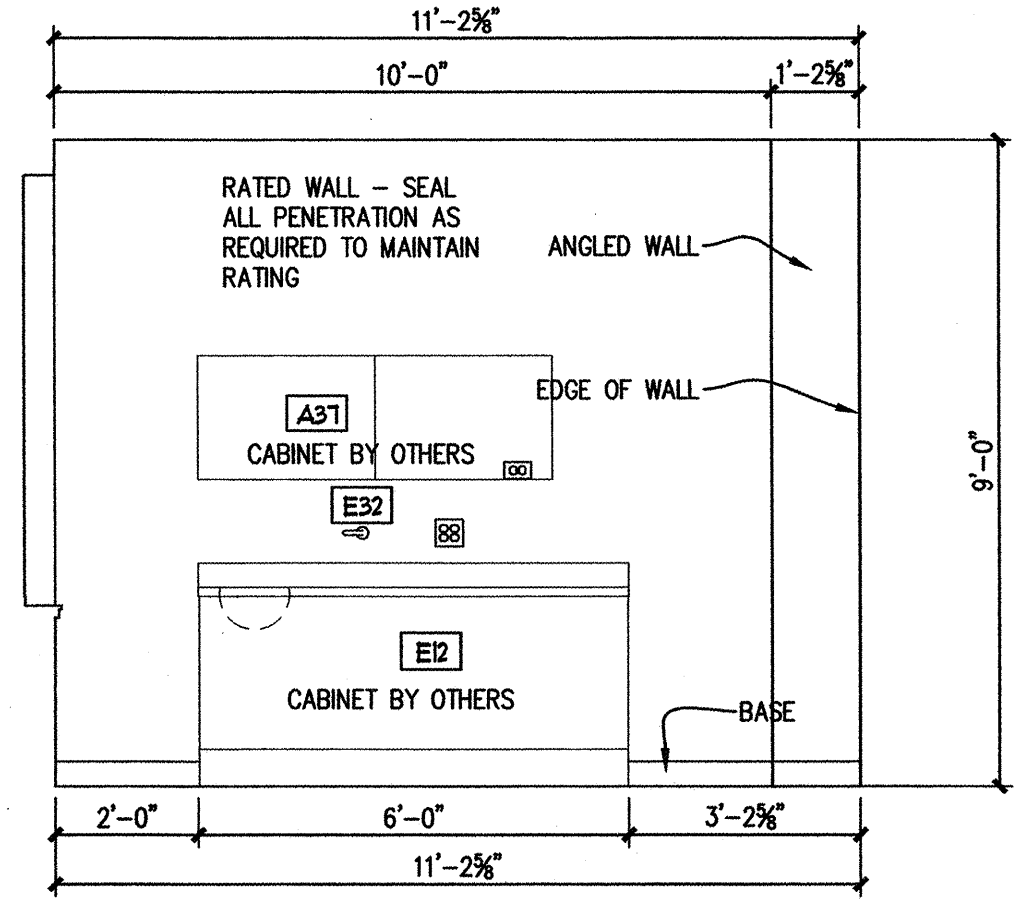


C1 ENDO OPERATORY - RM 156
 3/8" = 1'-0"

C3 OPERATORY - RM 119
 3/8" = 1'-0"

C4 OPERATORY - RM 124
 3/8" = 1'-0"

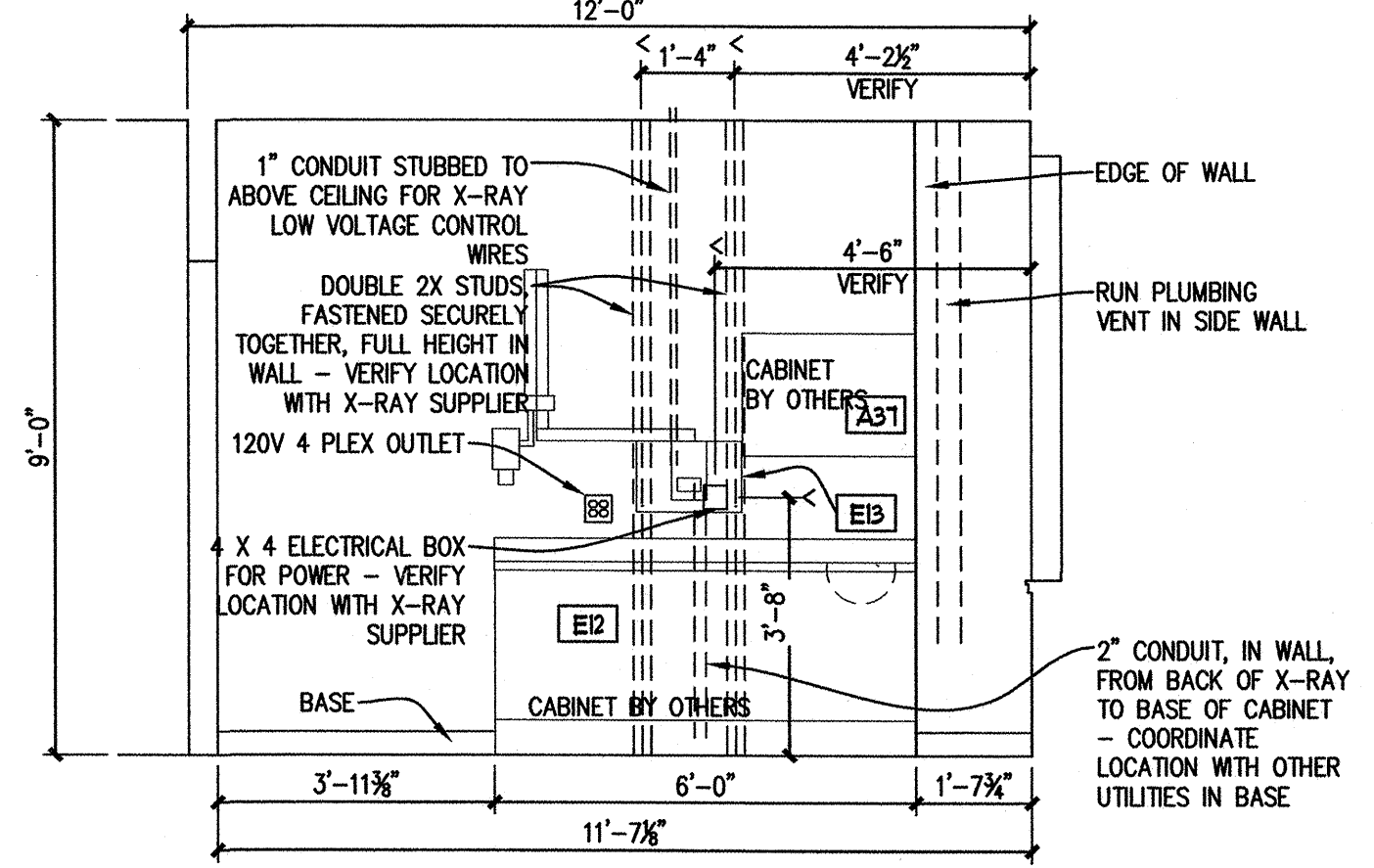
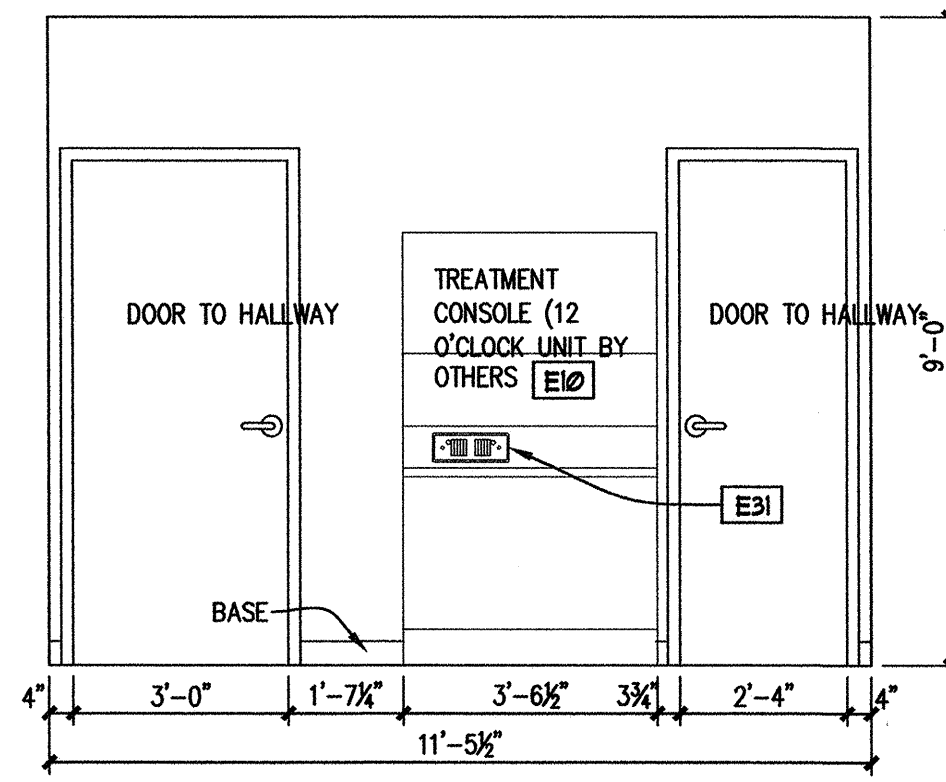
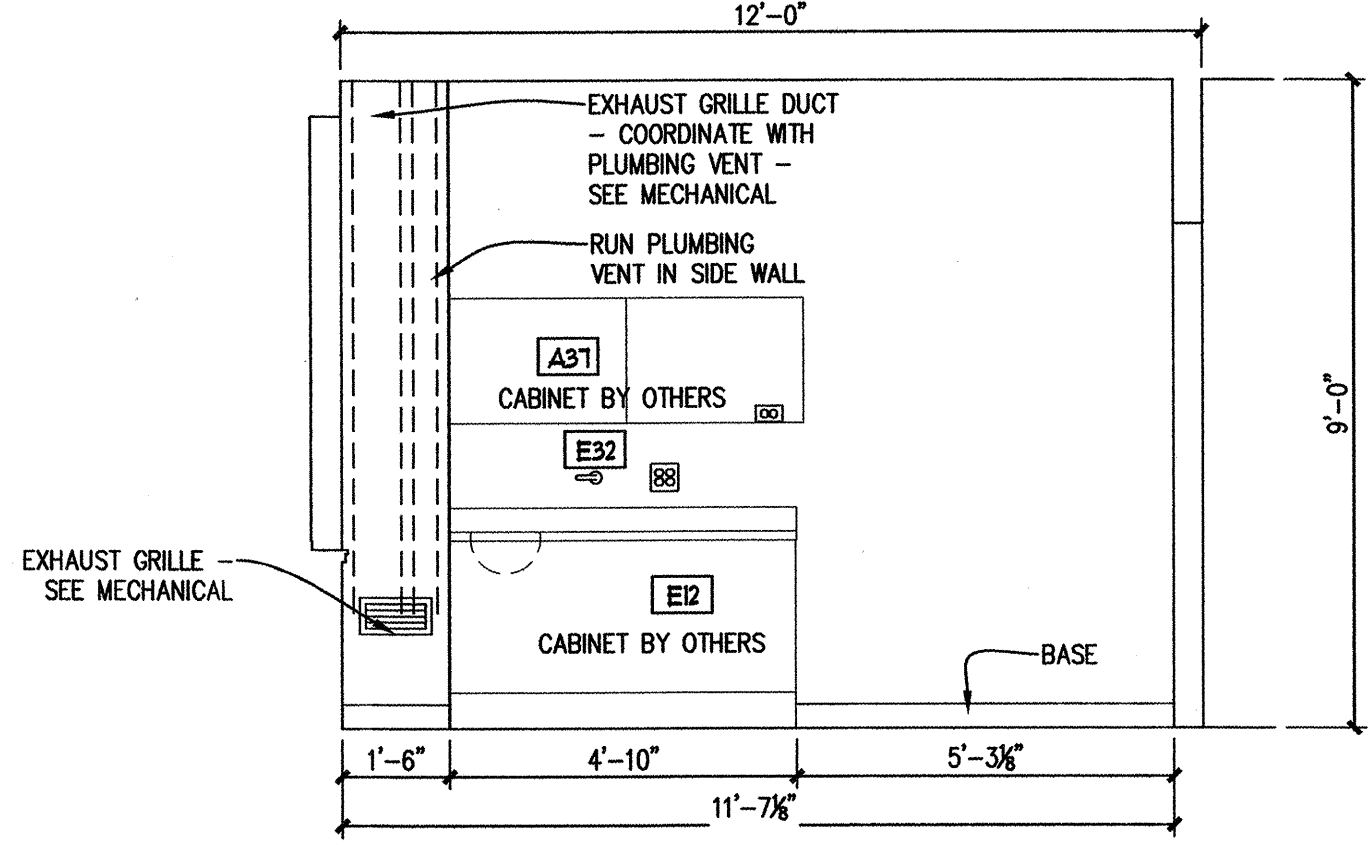
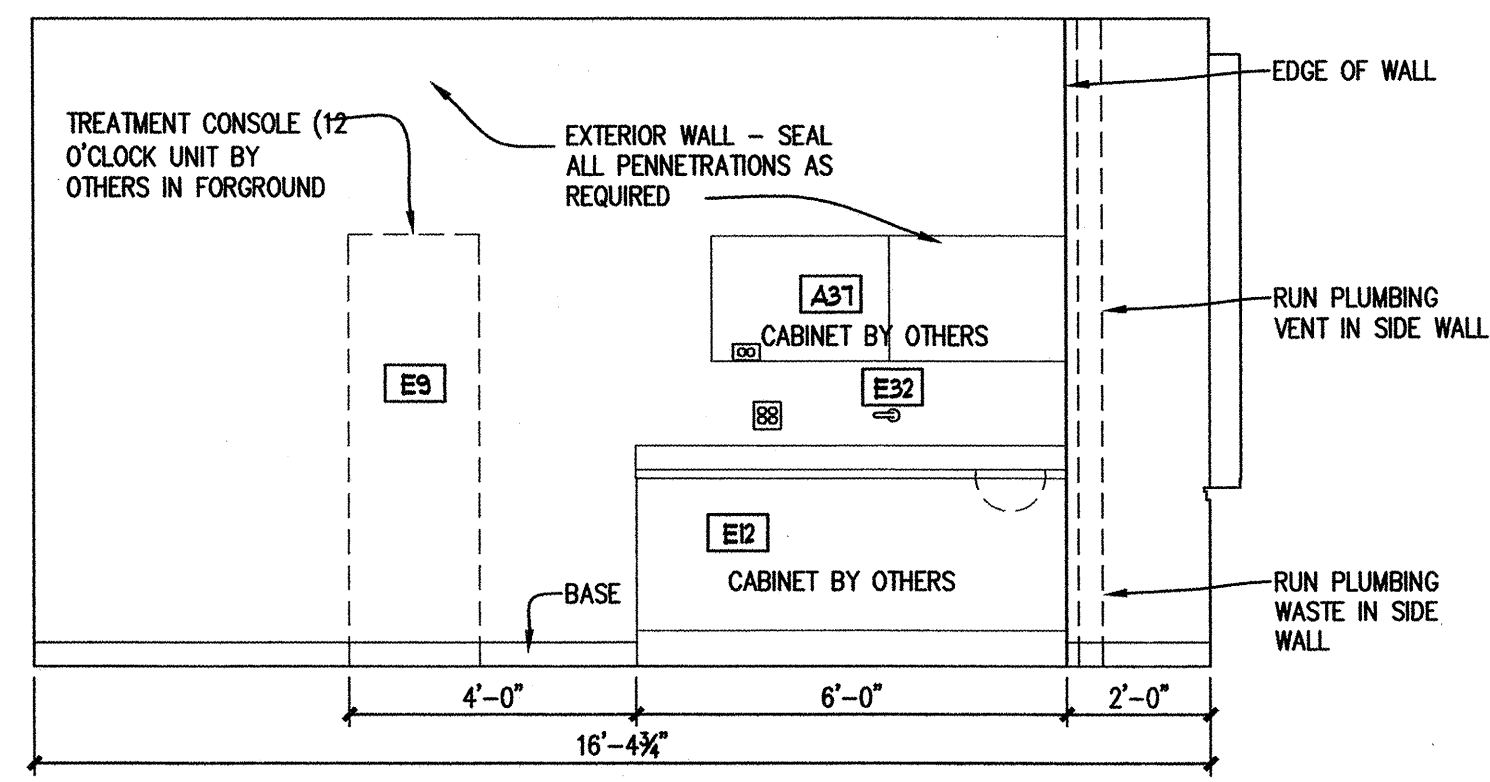
SKA-19-19R



B1 OPERATORY - RM 145
 3/8" = 1'-0"

B2 OPERATORY - RM 157
 3/8" = 1'-0"

SKA 19-19R



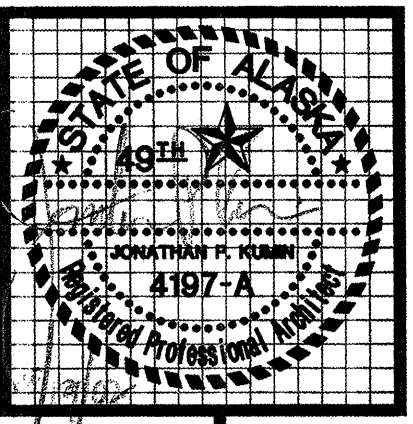
A1 OPERATORY - RM 154
 3/8" = 1'-0"

A2 OPERATORY - RM 158
 3/8" = 1'-0"

SOUTHCENTRAL FOUNDATION
 NEW CLINIC FOR
 DENTAL, OPTOMETRY and BEHAVIORAL HEALTH
 TUDOR RD. and TUDOR CENTER DRIVE, ANCHORAGE, ALASKA

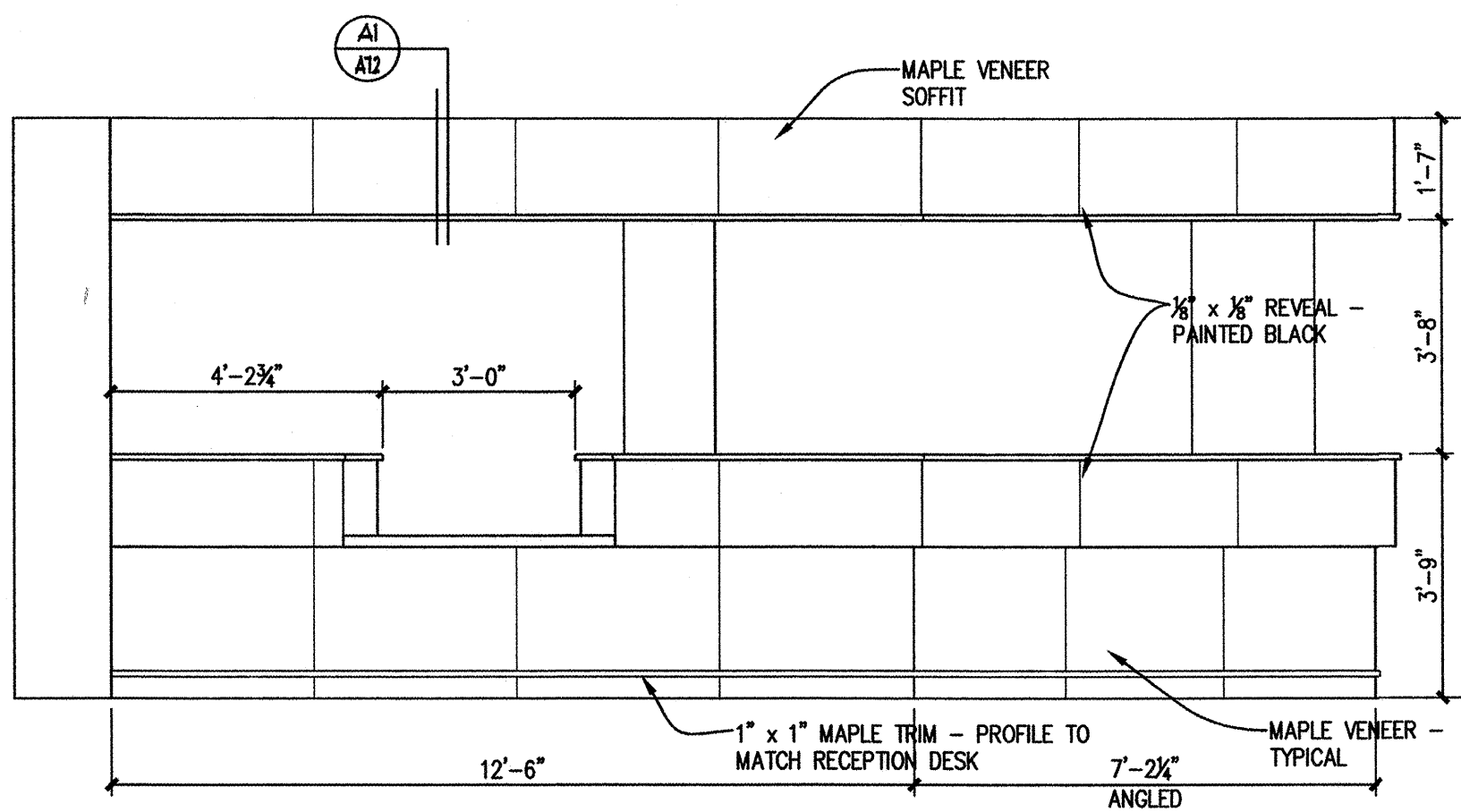
drawn	
checked	DB, LIS
date	9-17-02
revisions	1 8-26-02 15X
job no.	20152
dwg. title	INTERIOR ELEVATIONS FIRST FLOOR
sheet no.	0
A5.11	

100% SUBMITTAL

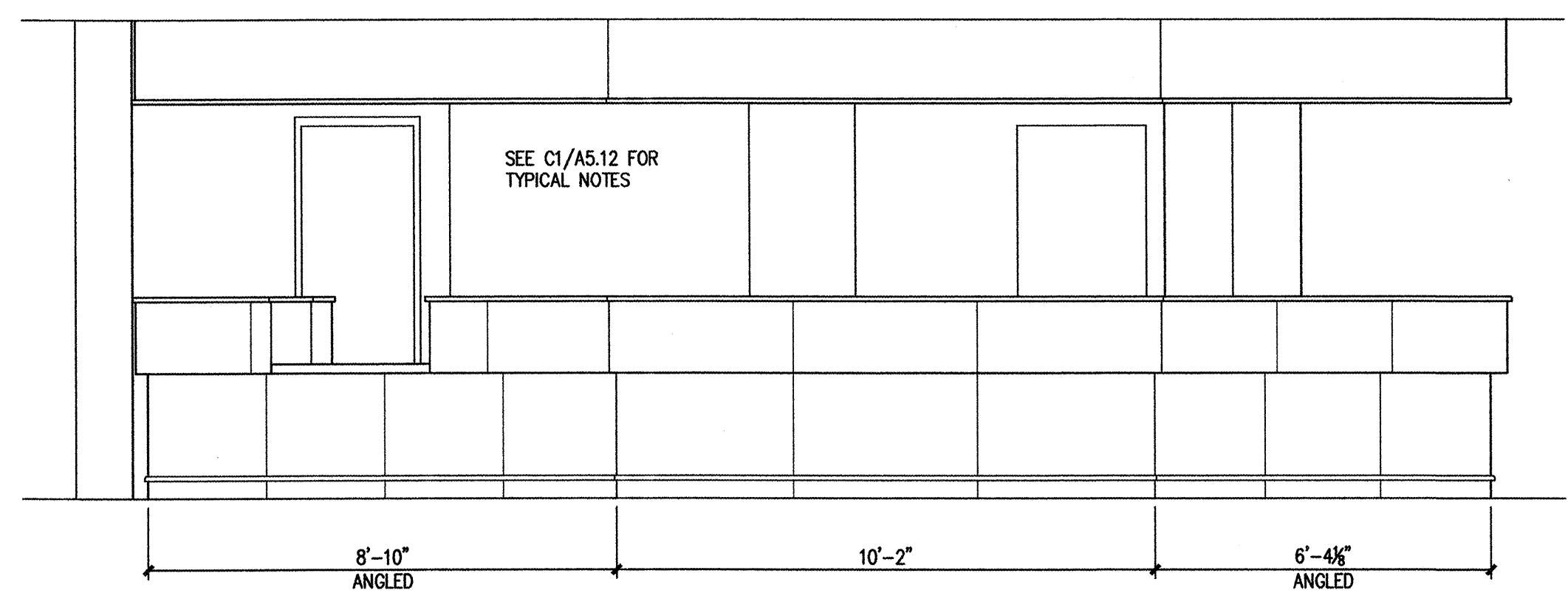


kumin associates, inc.
 architects • planners • interior designers

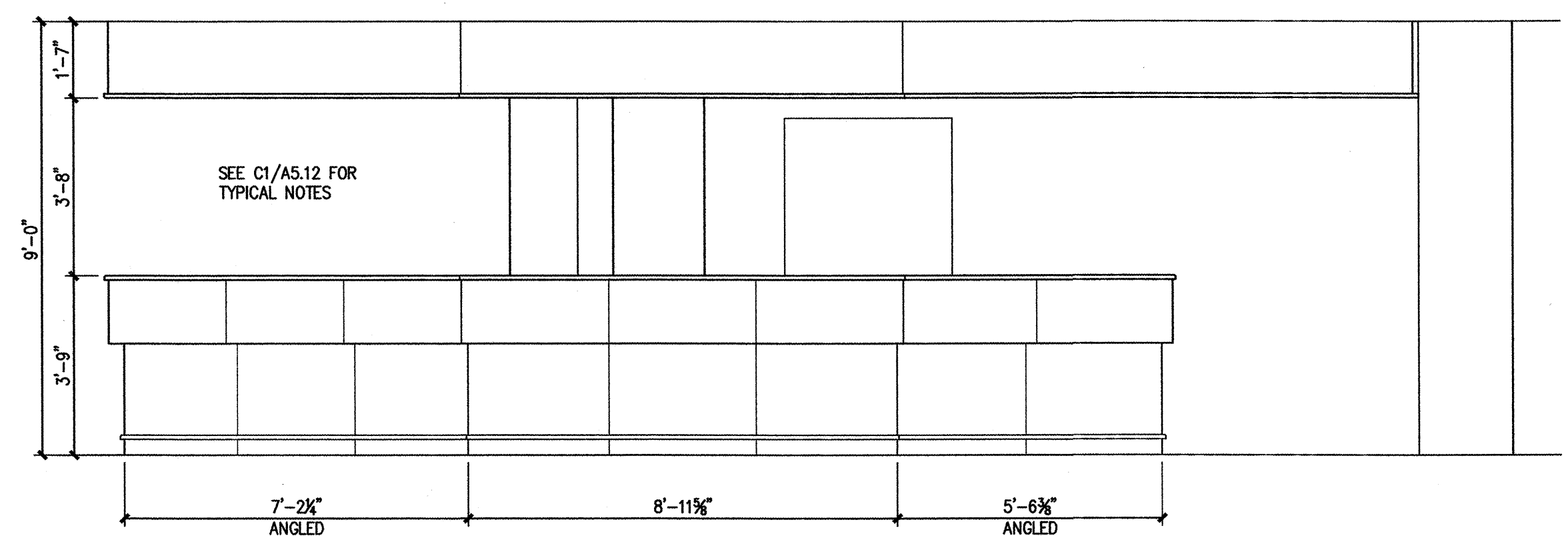
Sjoquist Architects, Inc.
 2001 University Ave. STE #200
 Minneapolis, Minnesota 55414
 612.379.9233 Fax 612.379.9263
<http://www.sjoquist.com>



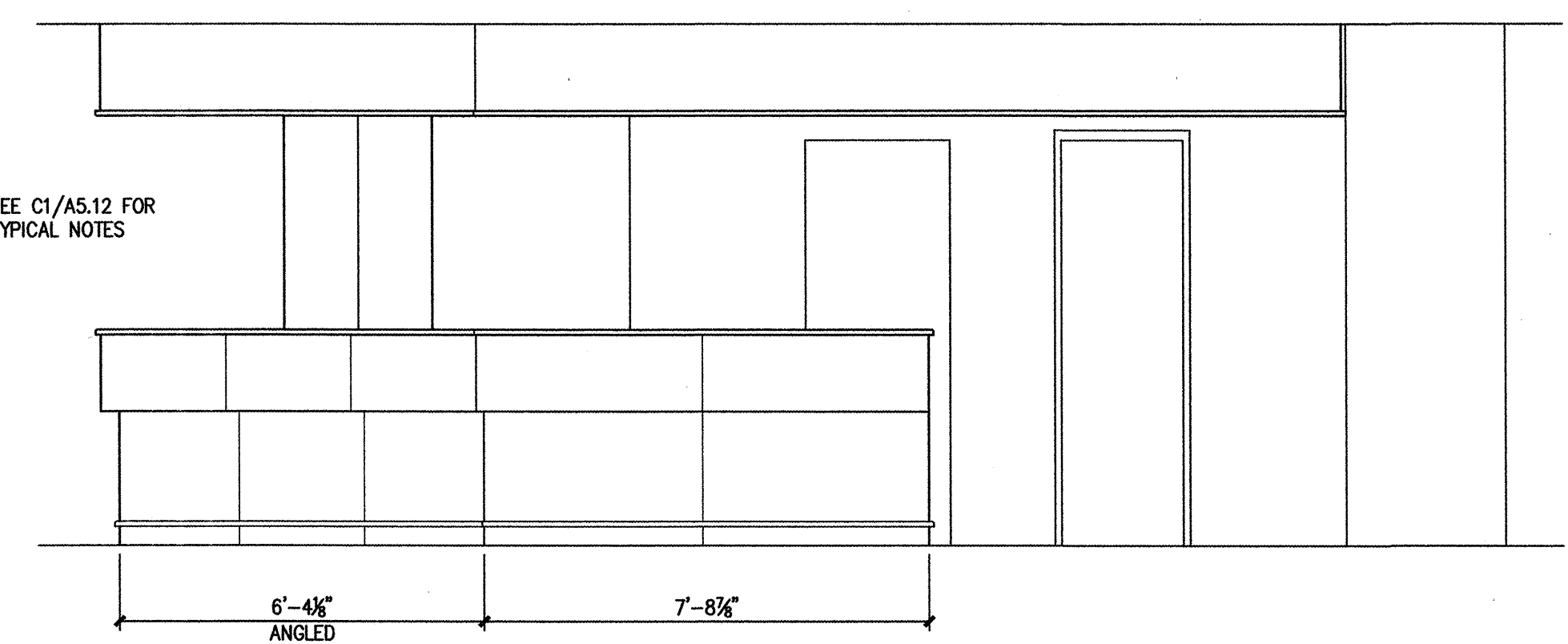
C1 WORK AREA - RM 216
 3/8" = 1'-0"



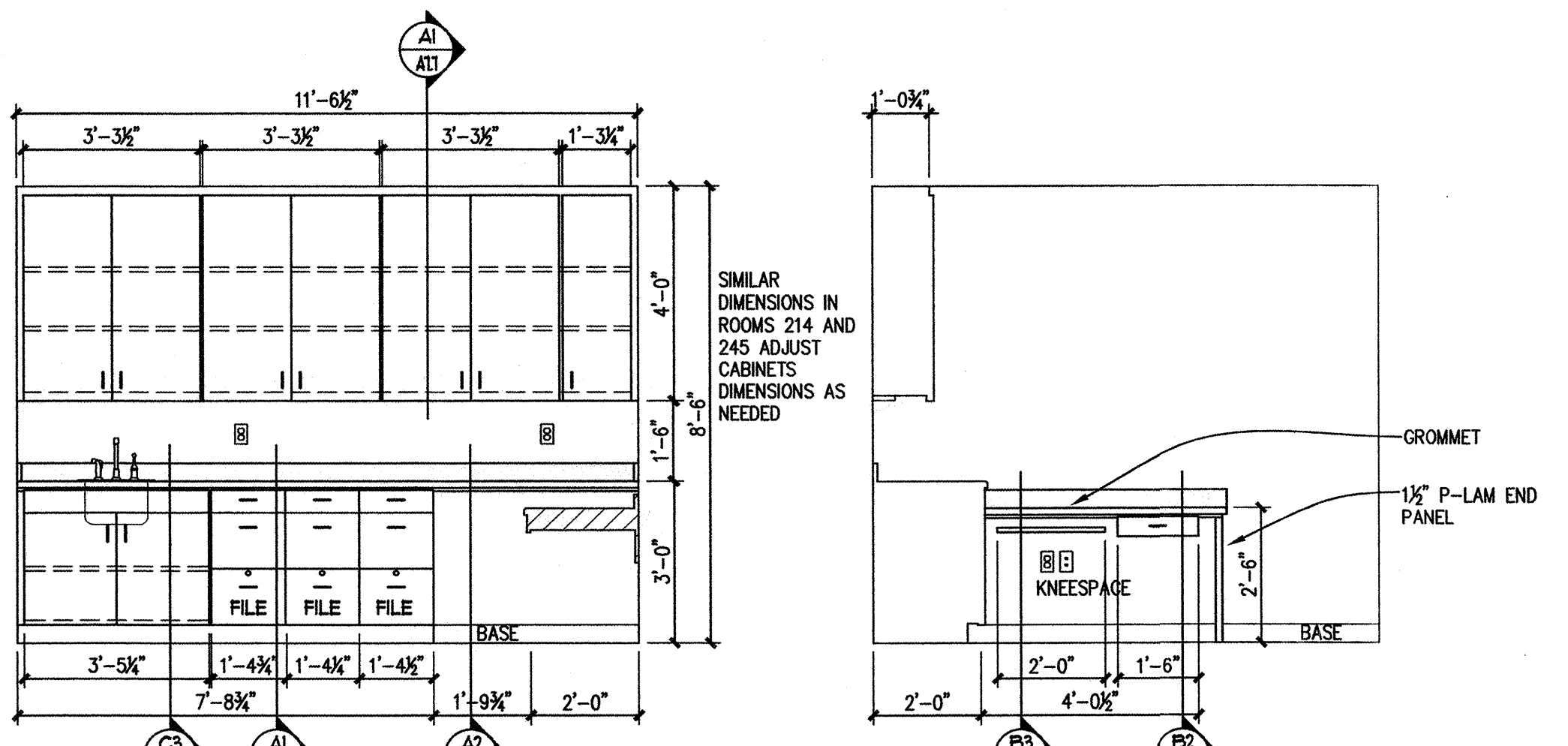
C2 RECEPTION DESK - RM 216
 3/8" = 1'-0"



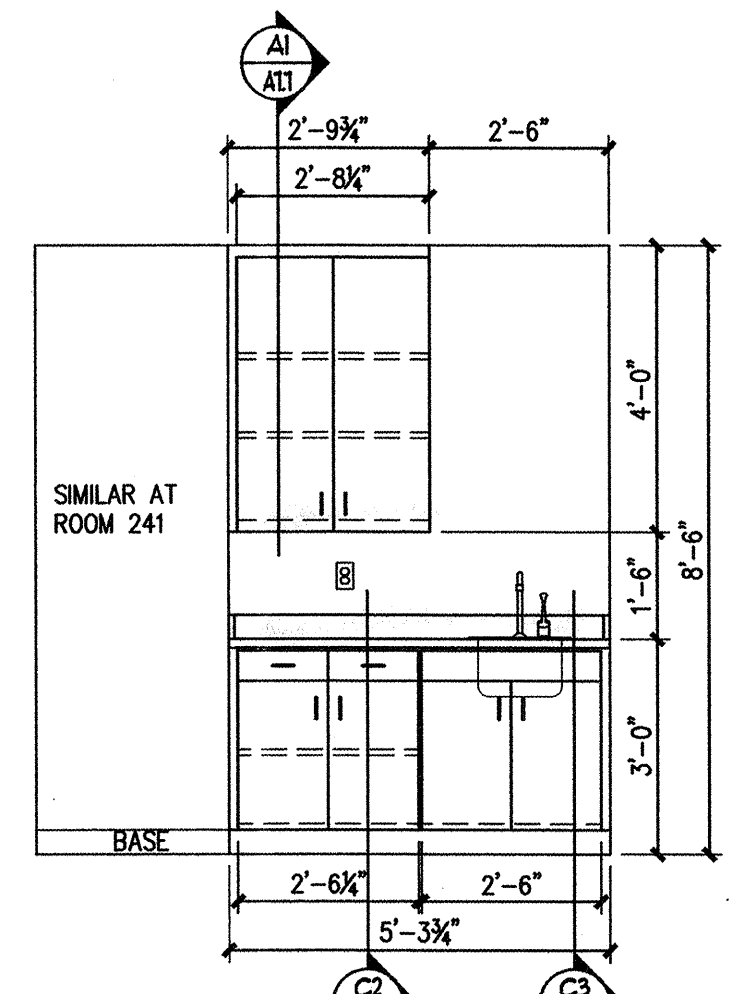
B1 RECEPTION DESK - RM 216
 3/8" = 1'-0"



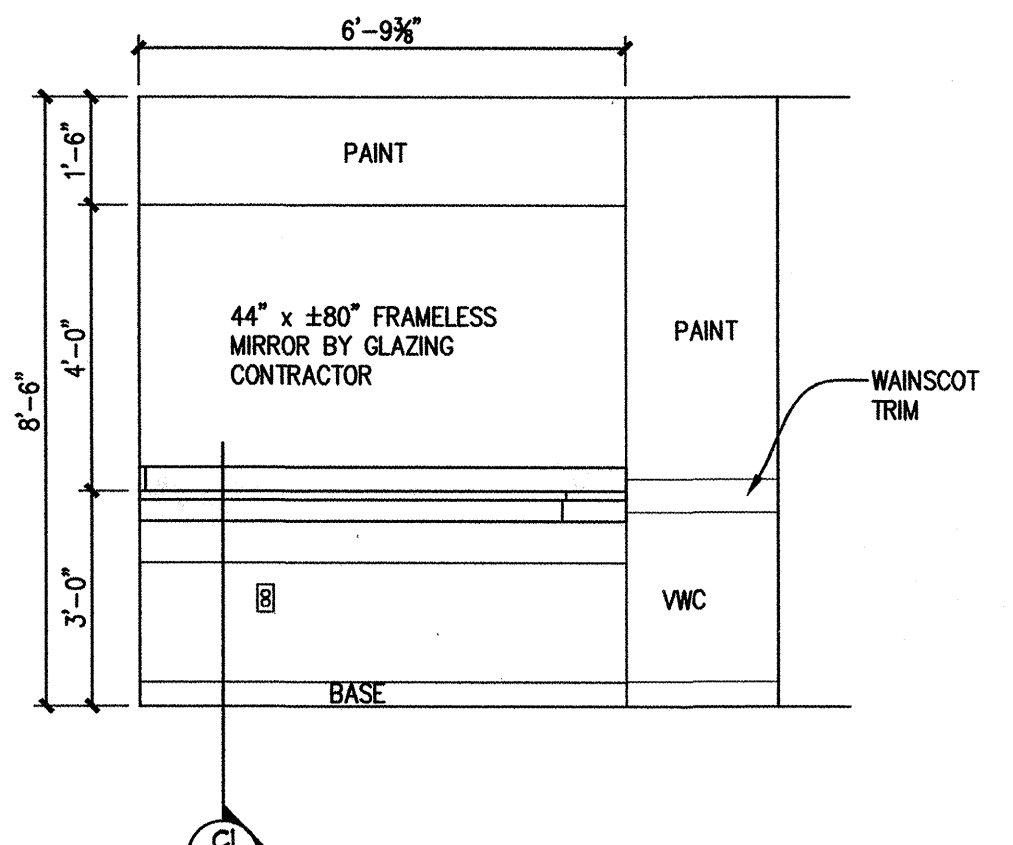
B2 RECEPTION DESK - RM 216
 3/8" = 1'-0"



A1 PRETEST ROOM - TYPICAL
 3/8" = 1'-0" RM-214 @ 223, 245



A3 TESTING ROOM - RM 242, 241
 3/8" = 1'-0"



A4 MIRROR - RM 222
 3/8" = 1'-0"

SOUTHCENTRAL FOUNDATION
 NEW CLINIC FOR
 DENTAL, OPTOMETRY and BEHAVIORAL HEALTH
 TUDOR RD. and TUDOR CENTER DRIVE, ANCHORAGE, ALASKA

drawn
 checked DB, JS
 date 9-17-07

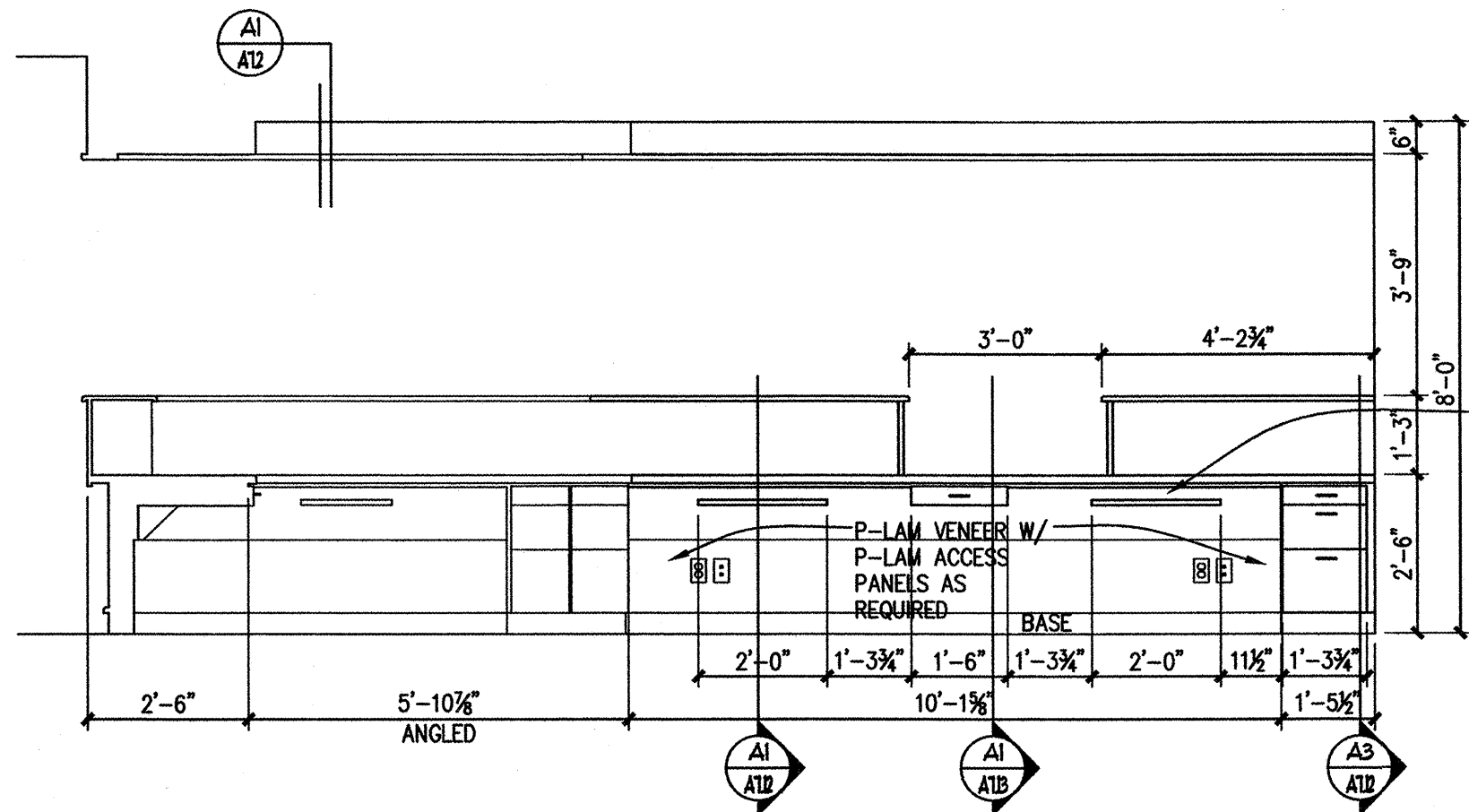
revisions
 1 8-26-02 35%

job no. 20152
 dwg. title INTERIOR ELEVATIONS SECOND FLOOR

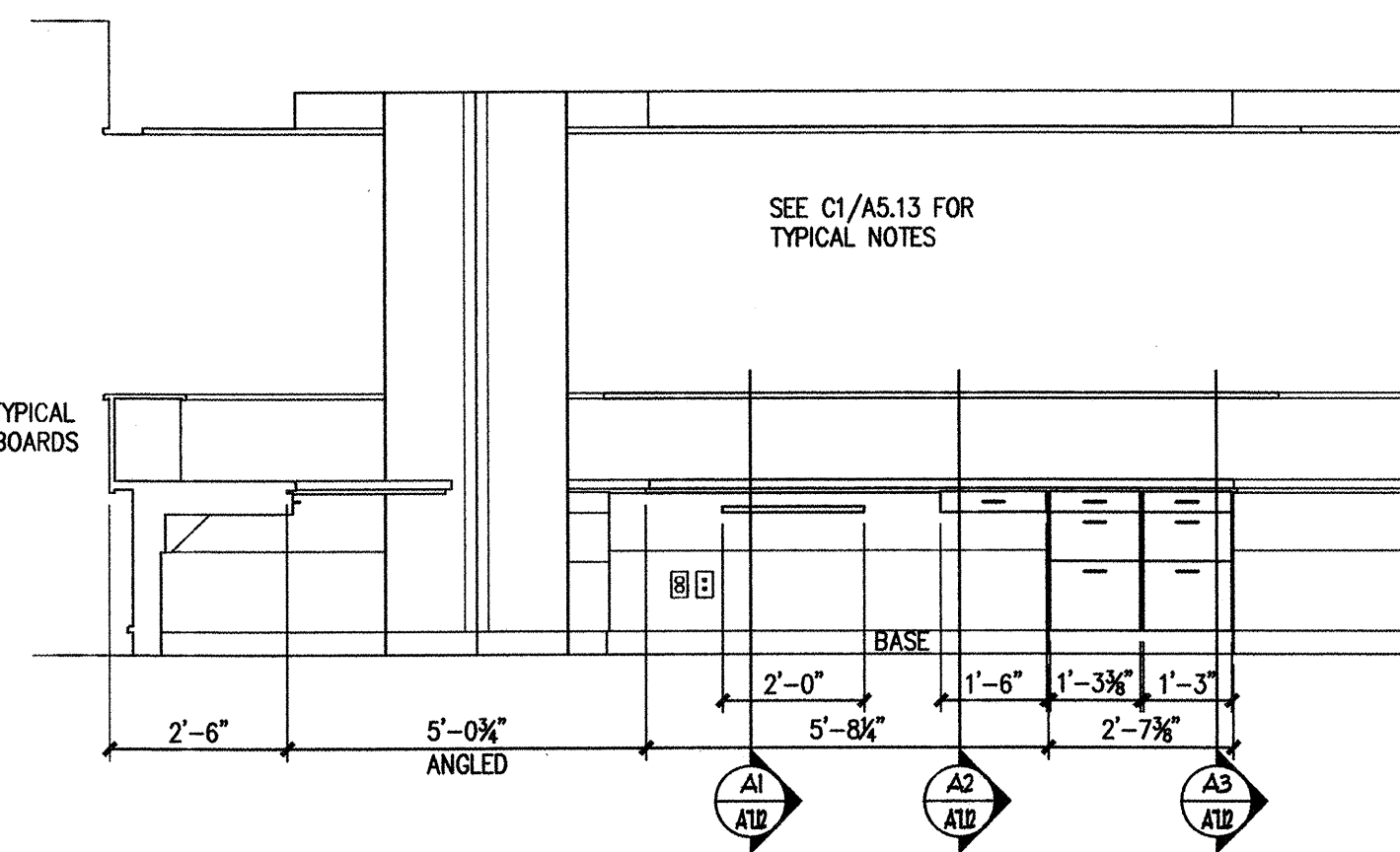
sheet no. 10

A5.12

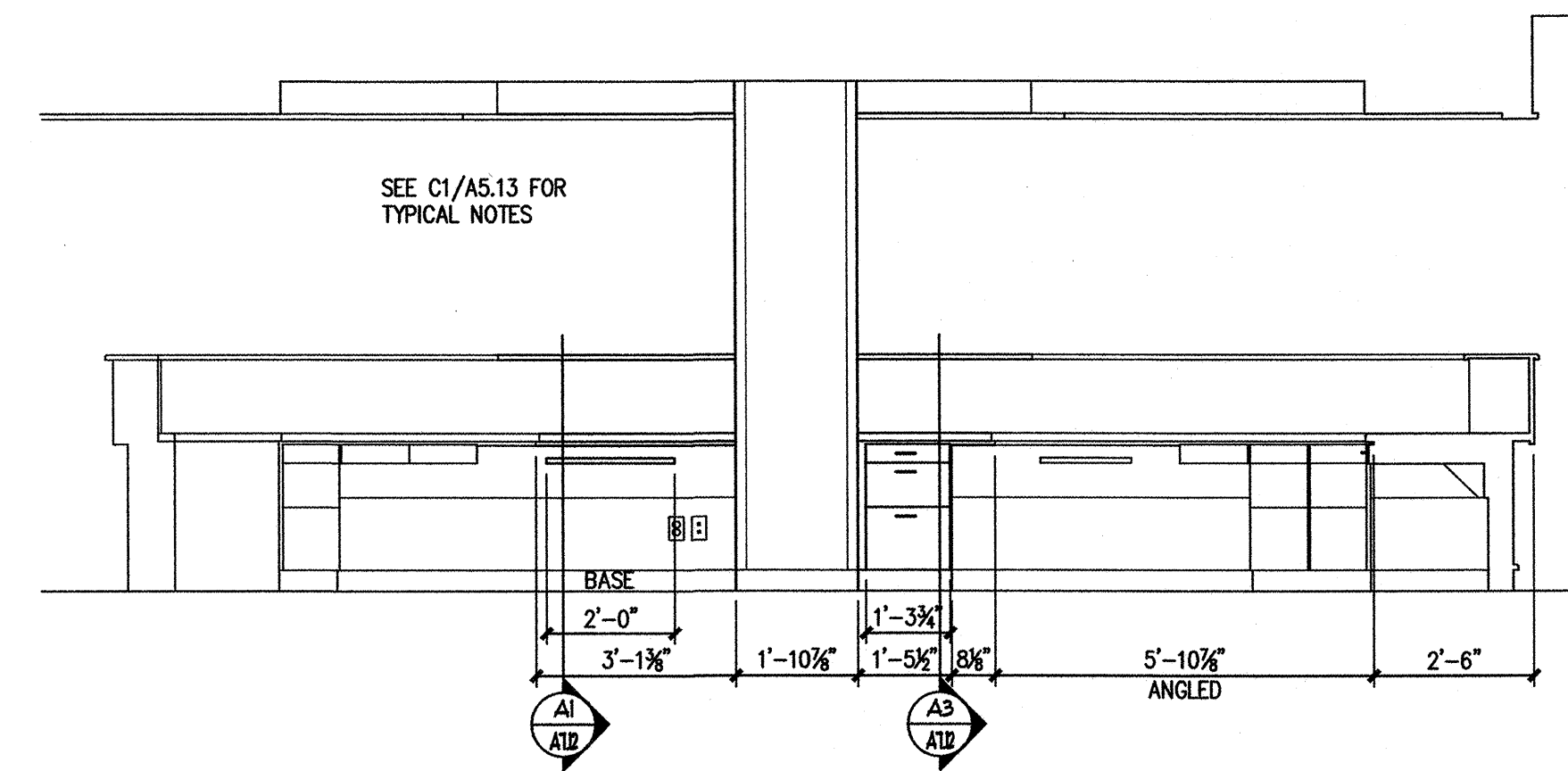
100% SUBMITTAL



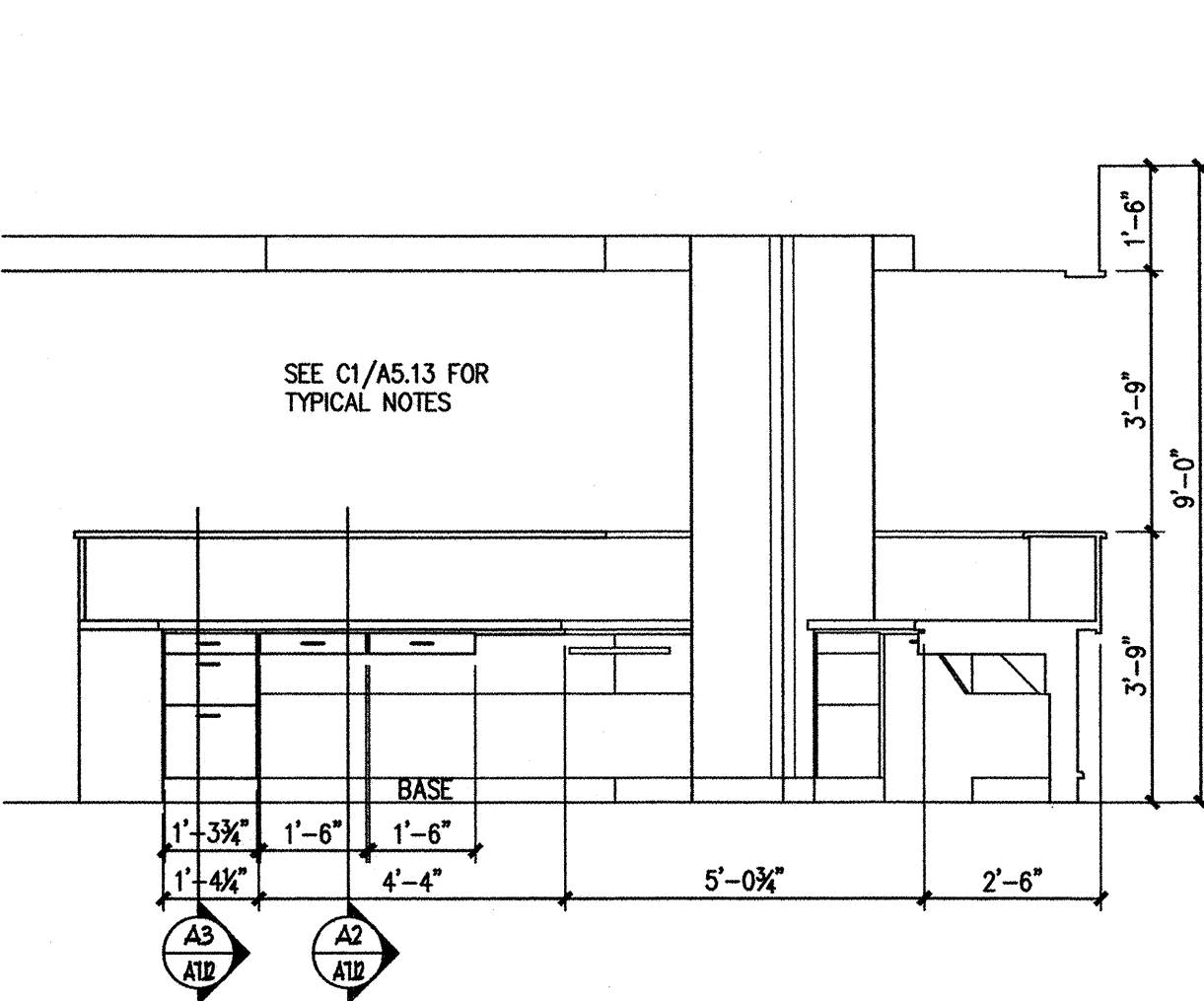
C1 RECEPTION DESK - RM 216
3/8" = 1'-0"



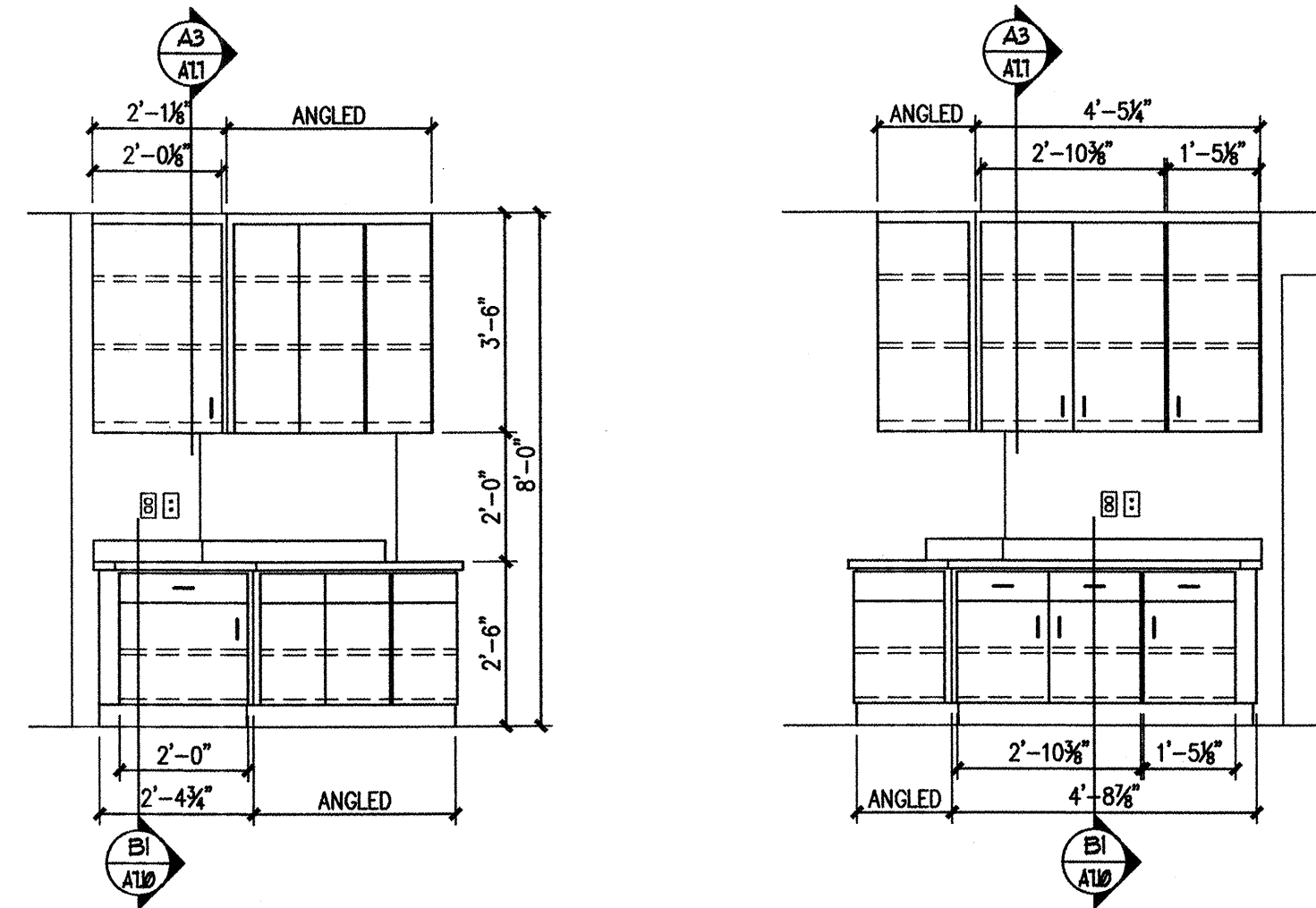
C2 RECEPTION DESK - RM 216
3/8" = 1'-0"



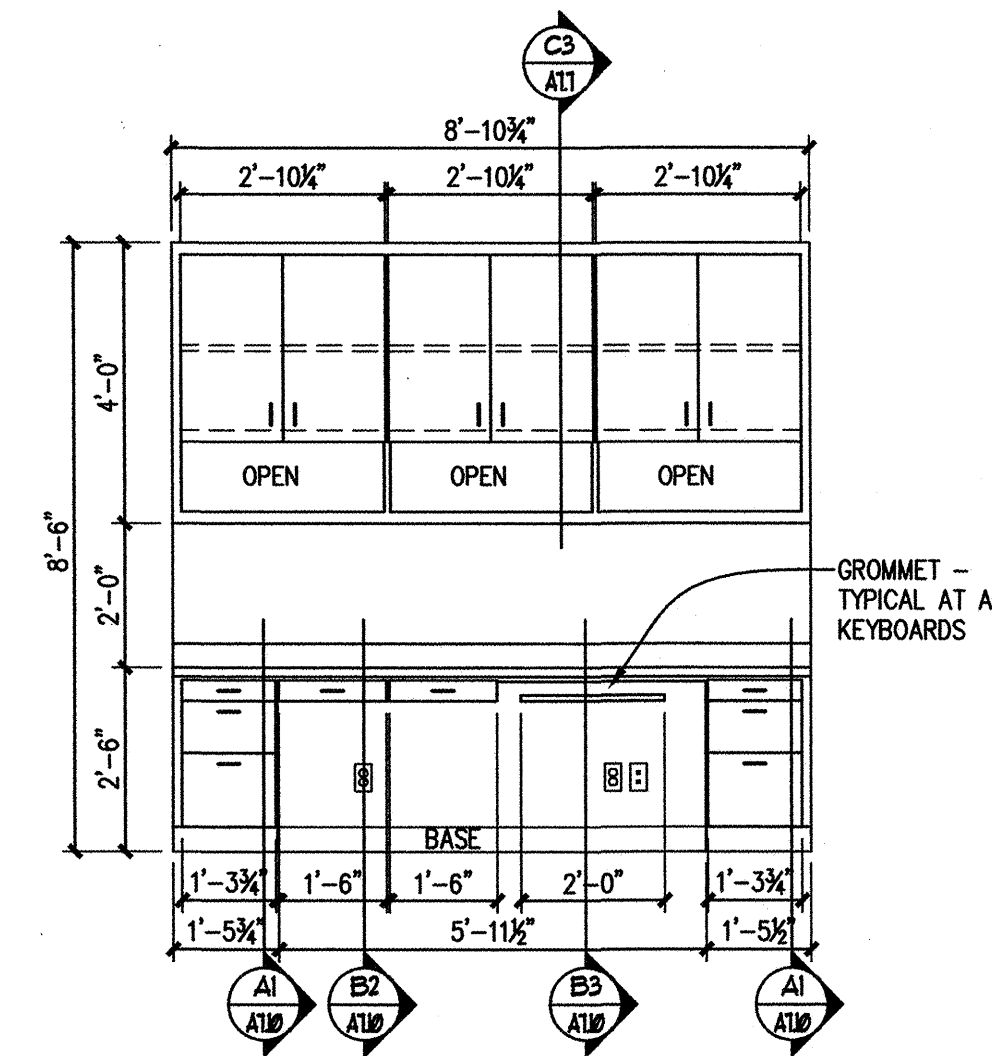
C3 RECEPTION DESK - RM 216
3/8" = 1'-0"



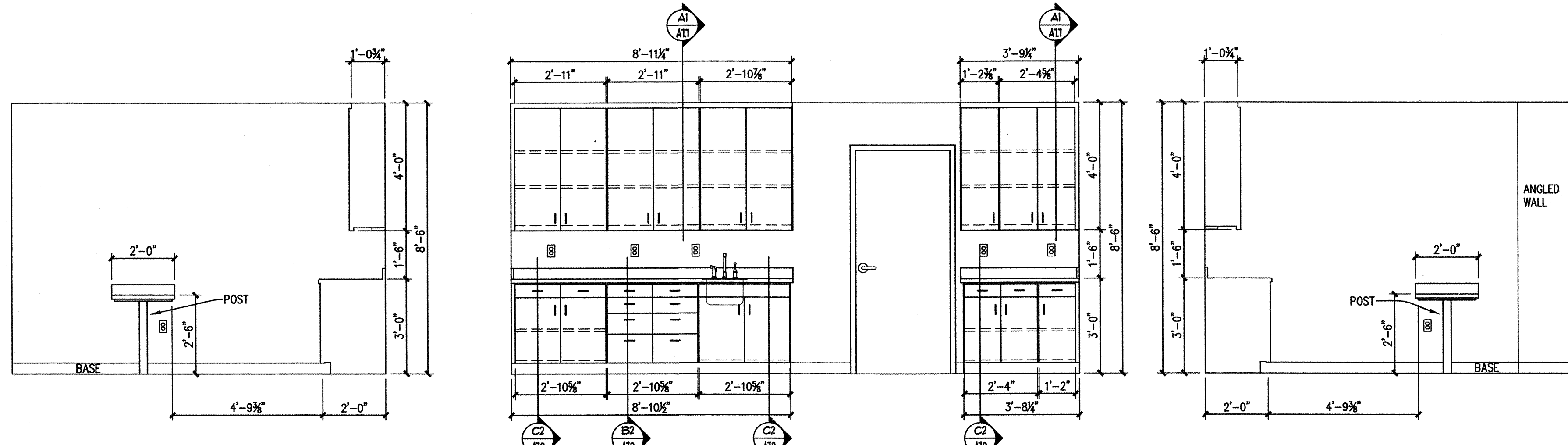
B1 RECEPTION DESK - RM 216
3/8" = 1'-0"



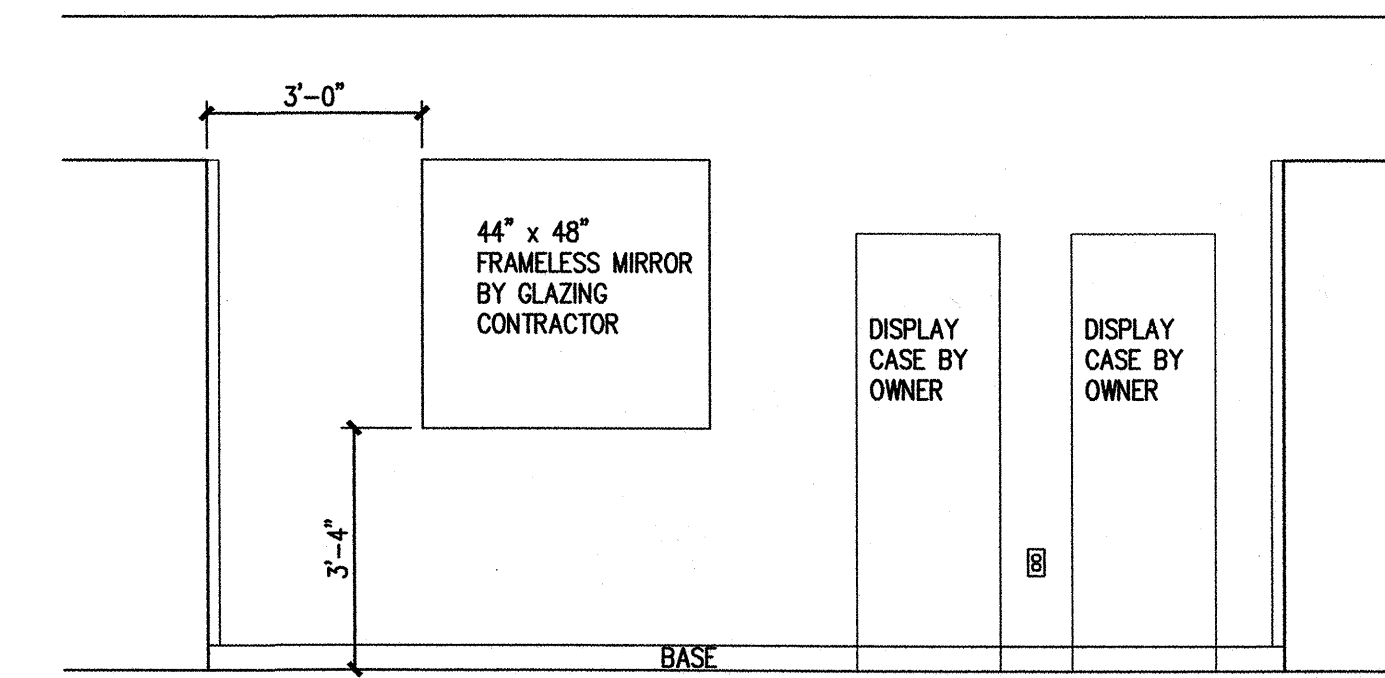
B2 RECEPTION DESK - RM 216
3/8" = 1'-0"



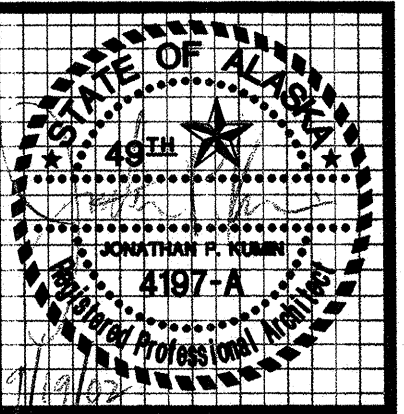
B3 BUSINESS OFFICE - RM 218
3/8" = 1'-0"



A1 CONTACT LENS - RM 215
3/8" = 1'-0"



A4 DISPLAY AREA - RM 208
3/8" = 1'-0"

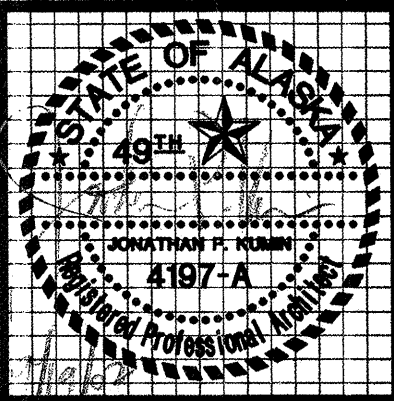


kumin associates, inc.
architects • planners • interior designers
Sjoquist Architects, Inc.
2001 University Ave. Ste. #200
Minneapolis, Minnesota 55414
612.379.9233 Fax: 612.379.9263
http://www.sjoquist.com

SOUTHCENTRAL FOUNDATION
NEW CLINIC FOR
DENTAL, OPTOMETRY and BEHAVIORAL HEALTH
TUDOR RD. and TUDOR CENTER DRIVE, ANCHORAGE, ALASKA

drawn	
checked	DB, JS
date	9-17-02
revisions	1/01 8-26-02 JSZ
job no.	20152
dwp. title	INTERIOR ELEVATIONS SECOND FLOOR
sheet no.	A5.13

100% SUBMITTAL



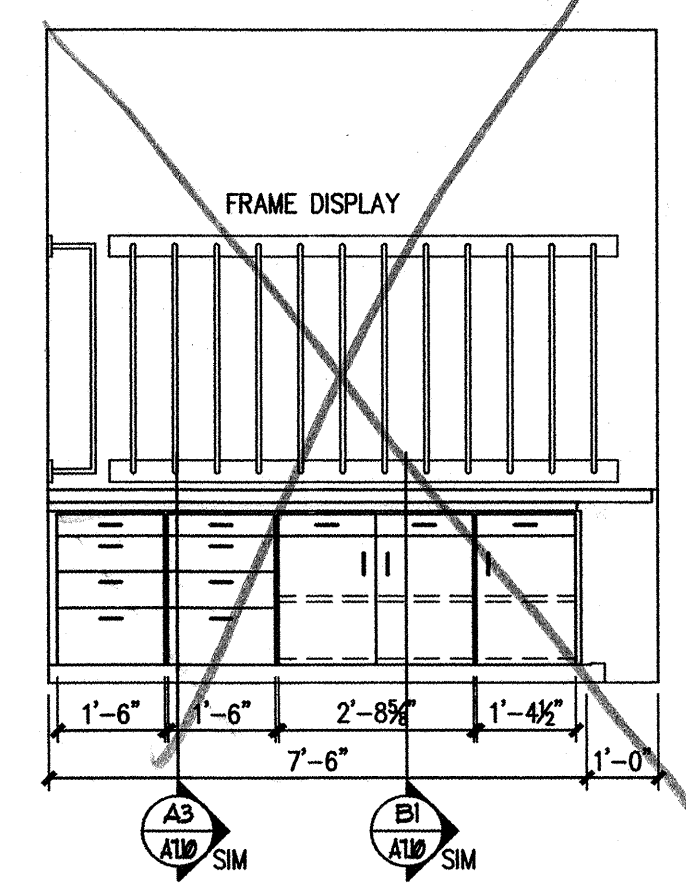
kumin associates, inc.
 architects • interior designers • planners

Sjoquist Architects, Inc.
 2001 University Ave SE #200
 Minneapolis, Minnesota 55414
 612.379.9233 Fax 612.379.9265
<http://www.sjoquist.com>

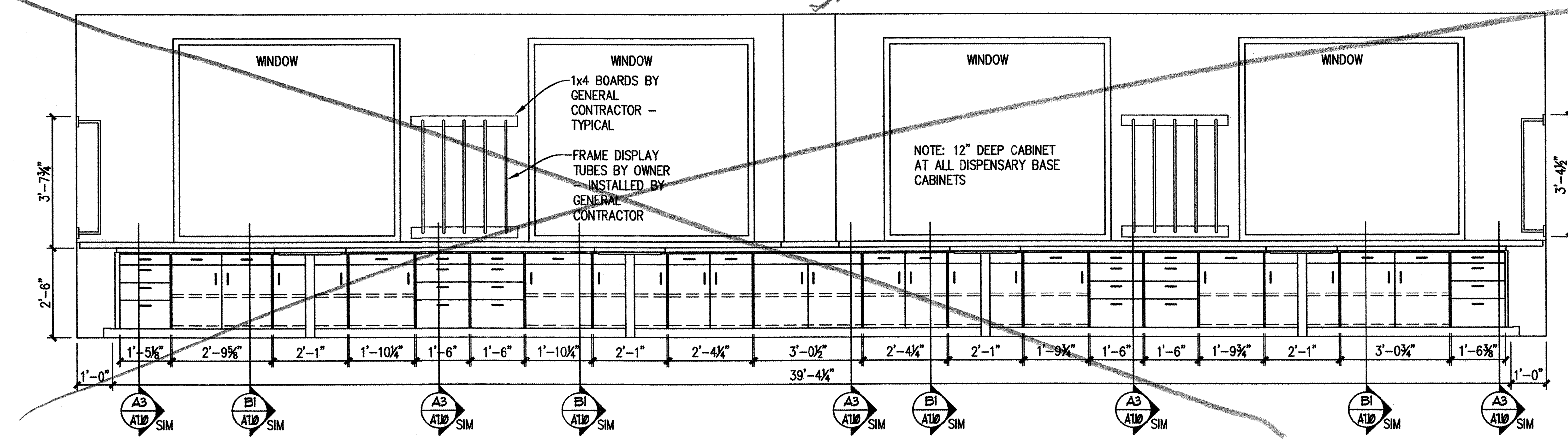
SOUTHCENTRAL FOUNDATION
NEW CLINIC FOR
DENTAL, OPTOMETRY and BEHAVIORAL HEALTH
 TUDOR RD. and TUDOR CENTER DRIVE, ANCHORAGE ALASKA

drawn	
checked	DB, JS
date	9-17-07
revisions	
1	8-26-02 95%
job no.	20152
dwg title	INTERIOR ELEVATIONS SECOND FLOOR
sheet no.	
A5.14	

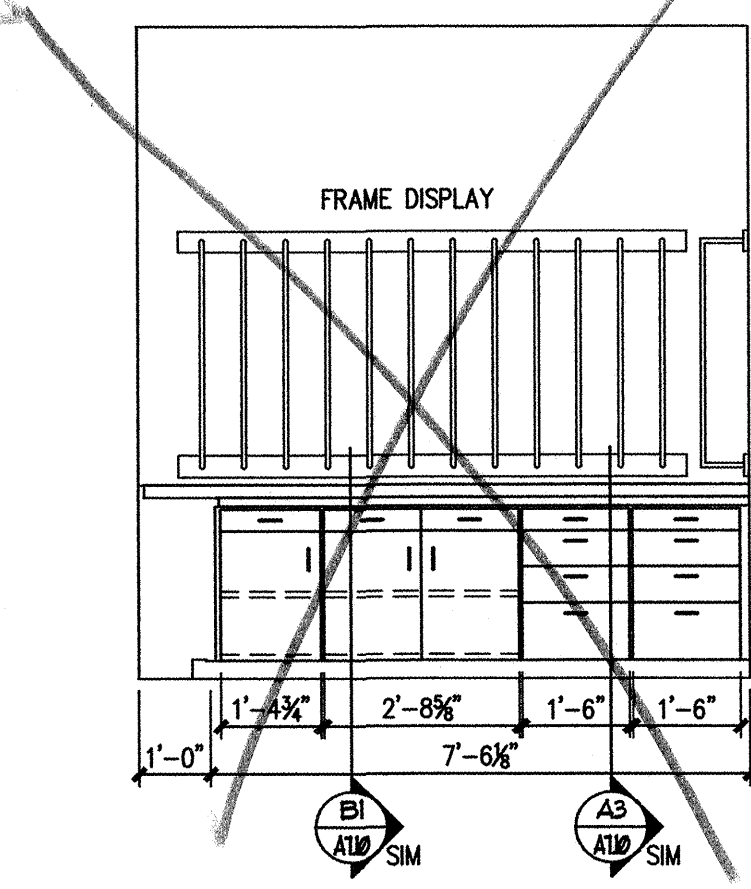
*Deleted
 per SCF*



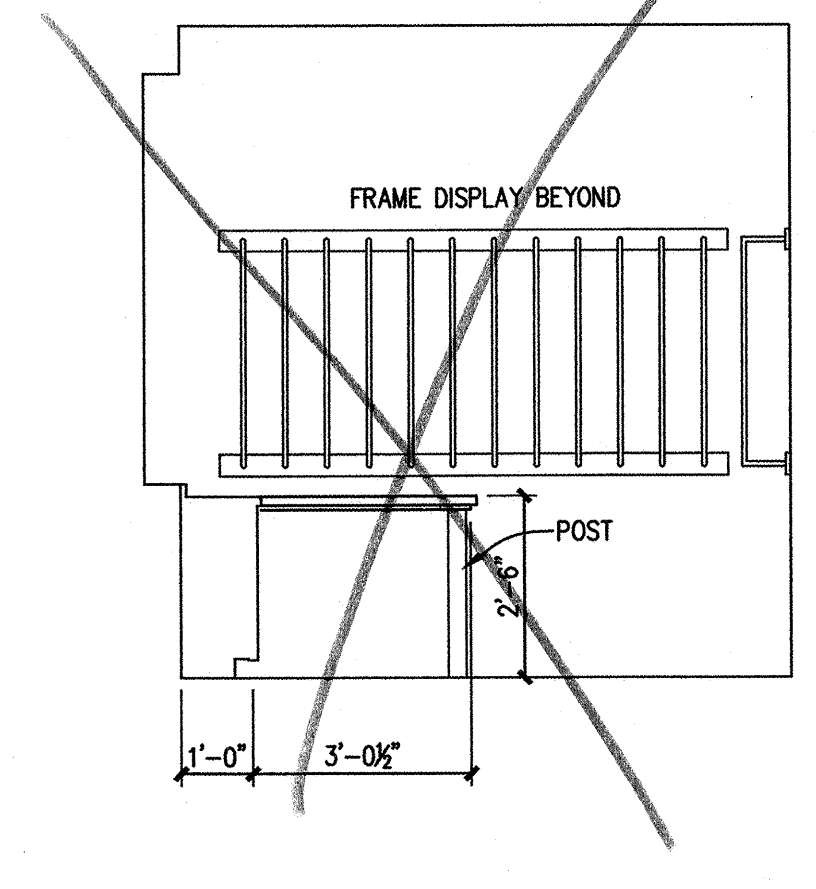
C1 DISPENSARY
 3/8" = 1'-0"



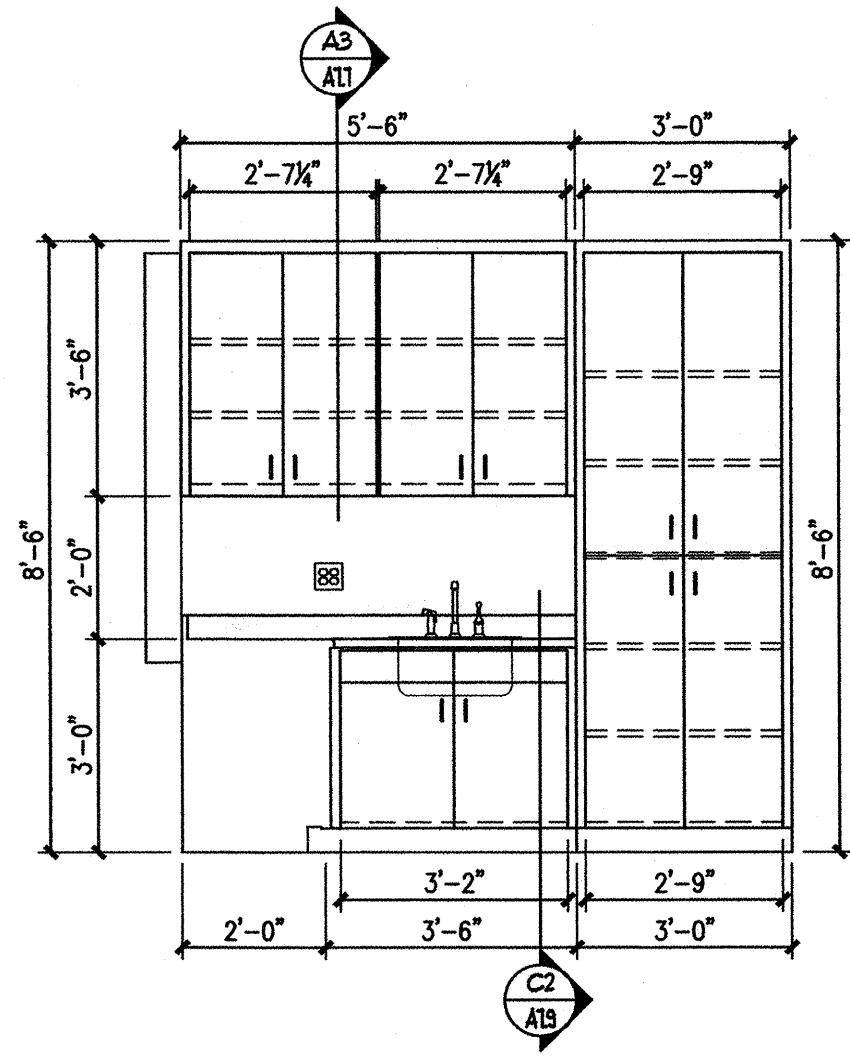
C2 DISPENSARY - RMS 209, 210, 211, 212
 3/8" = 1'-0"



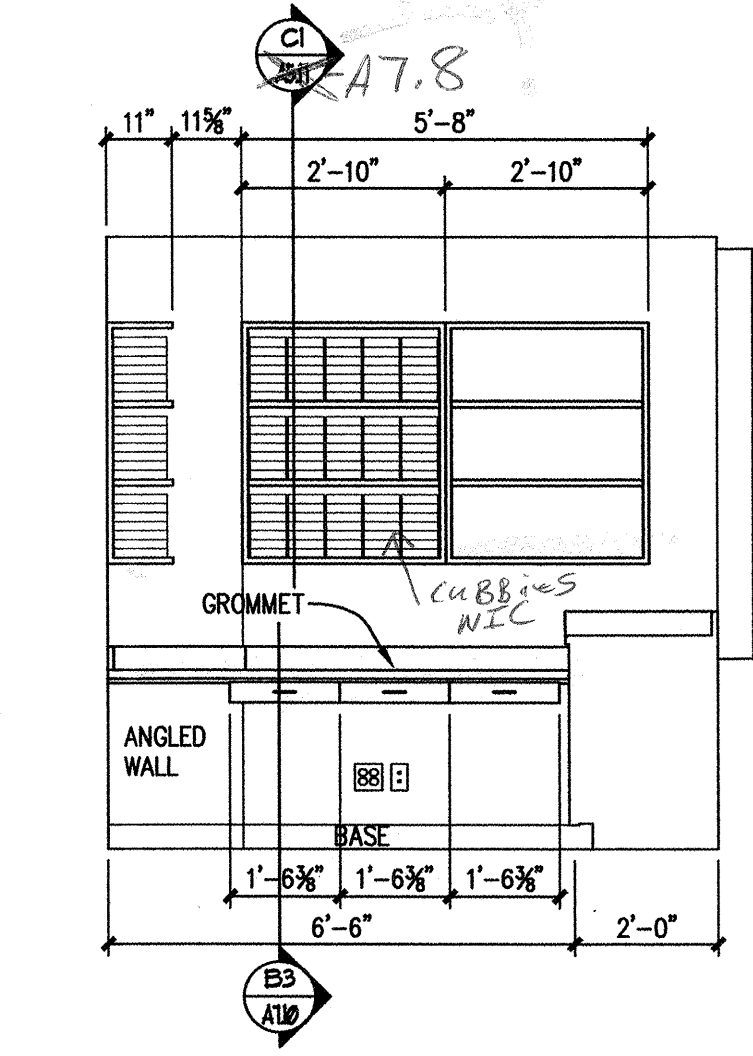
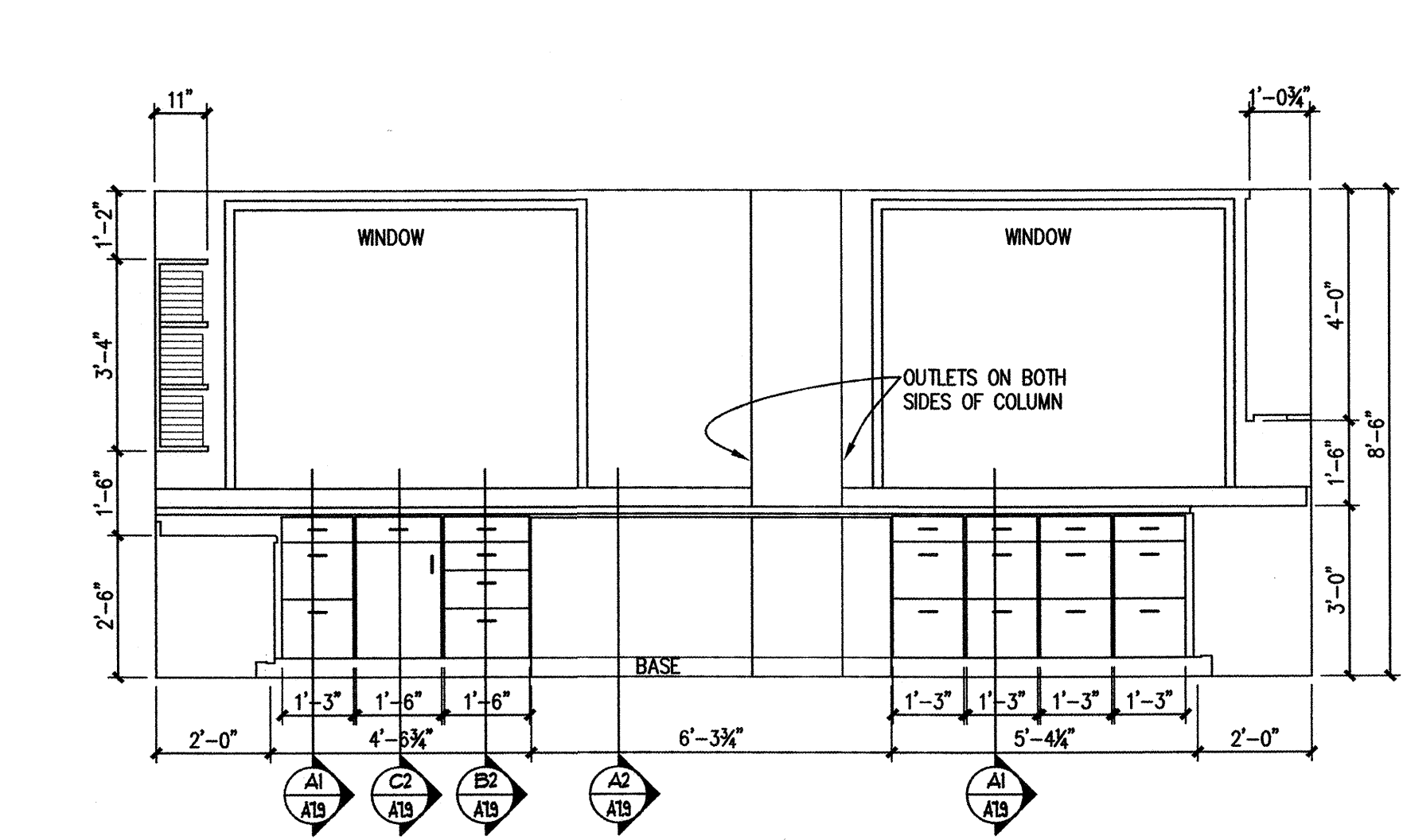
C3 DISPENSARY
 3/8" = 1'-0"



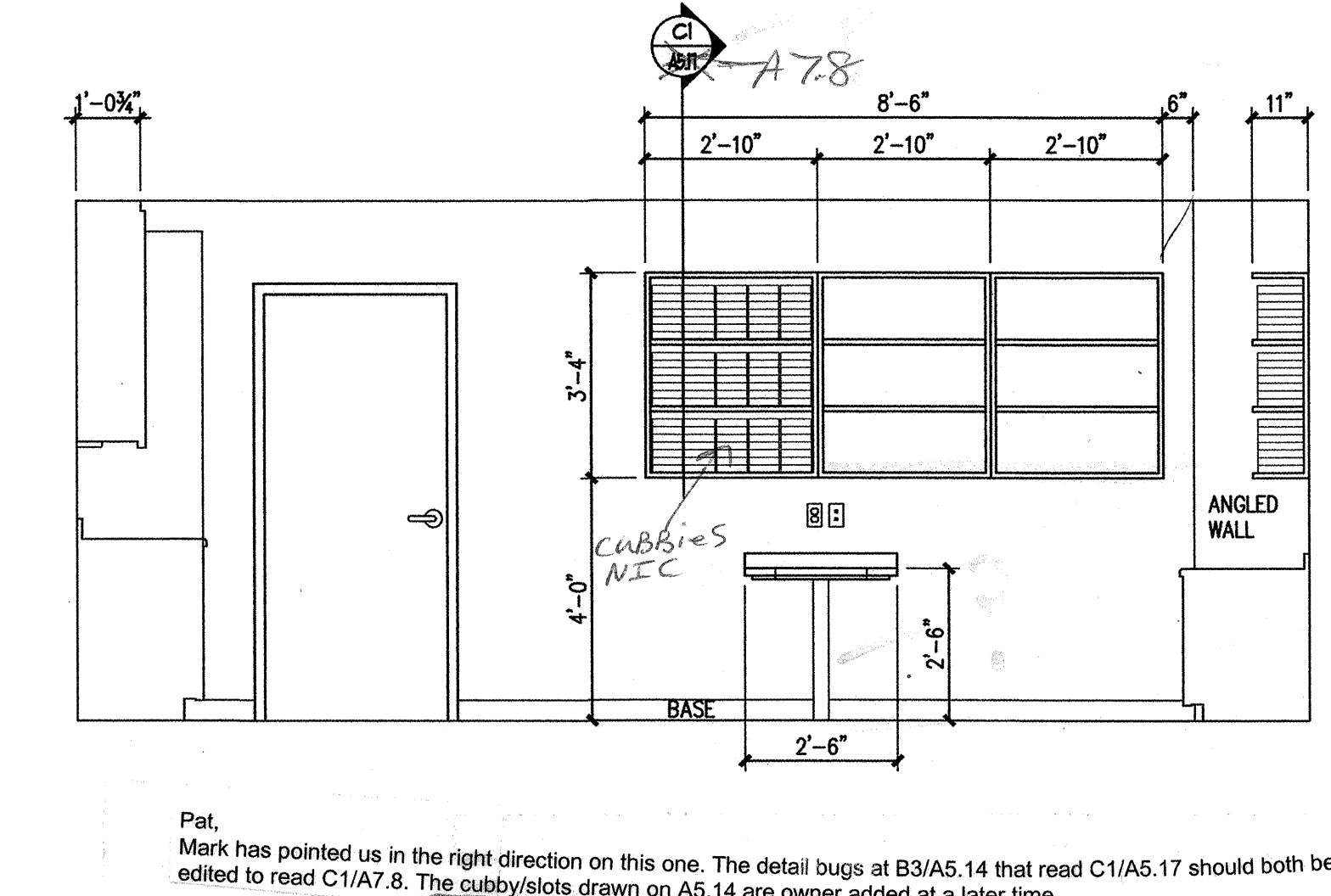
C4 DISPENSARY
 3/8" = 1'-0"



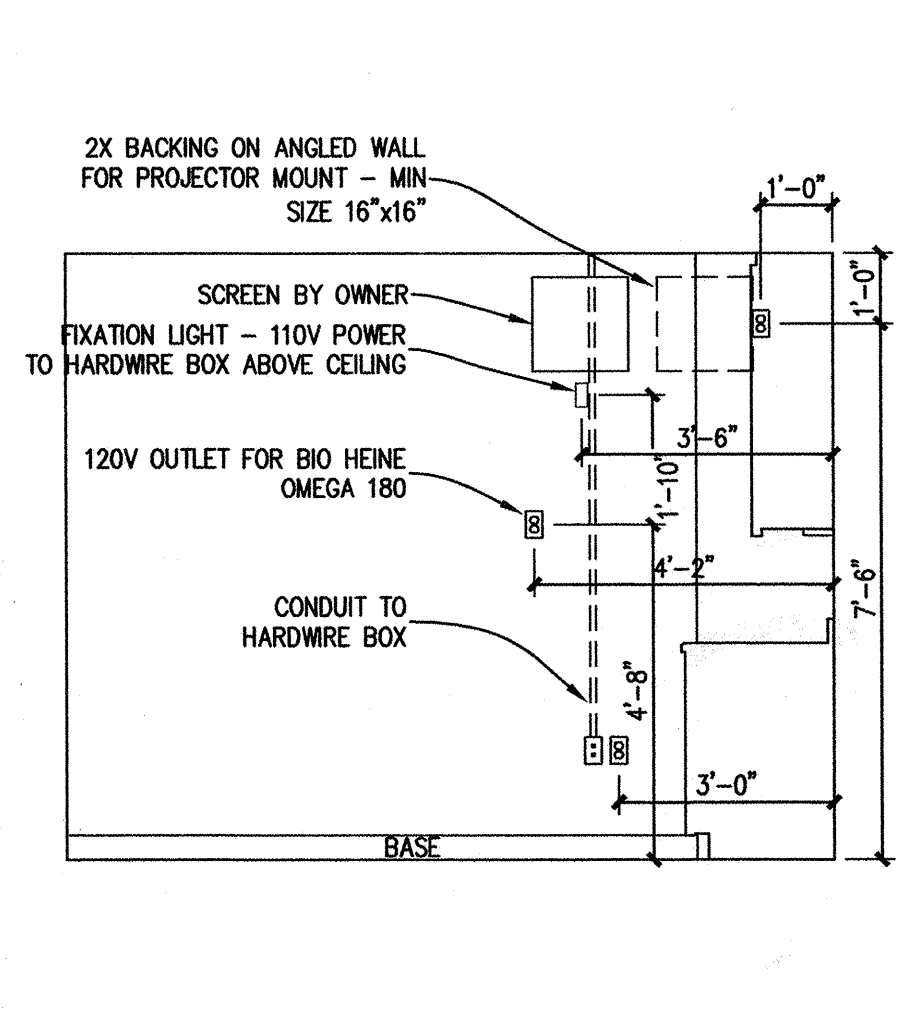
B1 LABORATORY - RM 221
 3/8" = 1'-0"



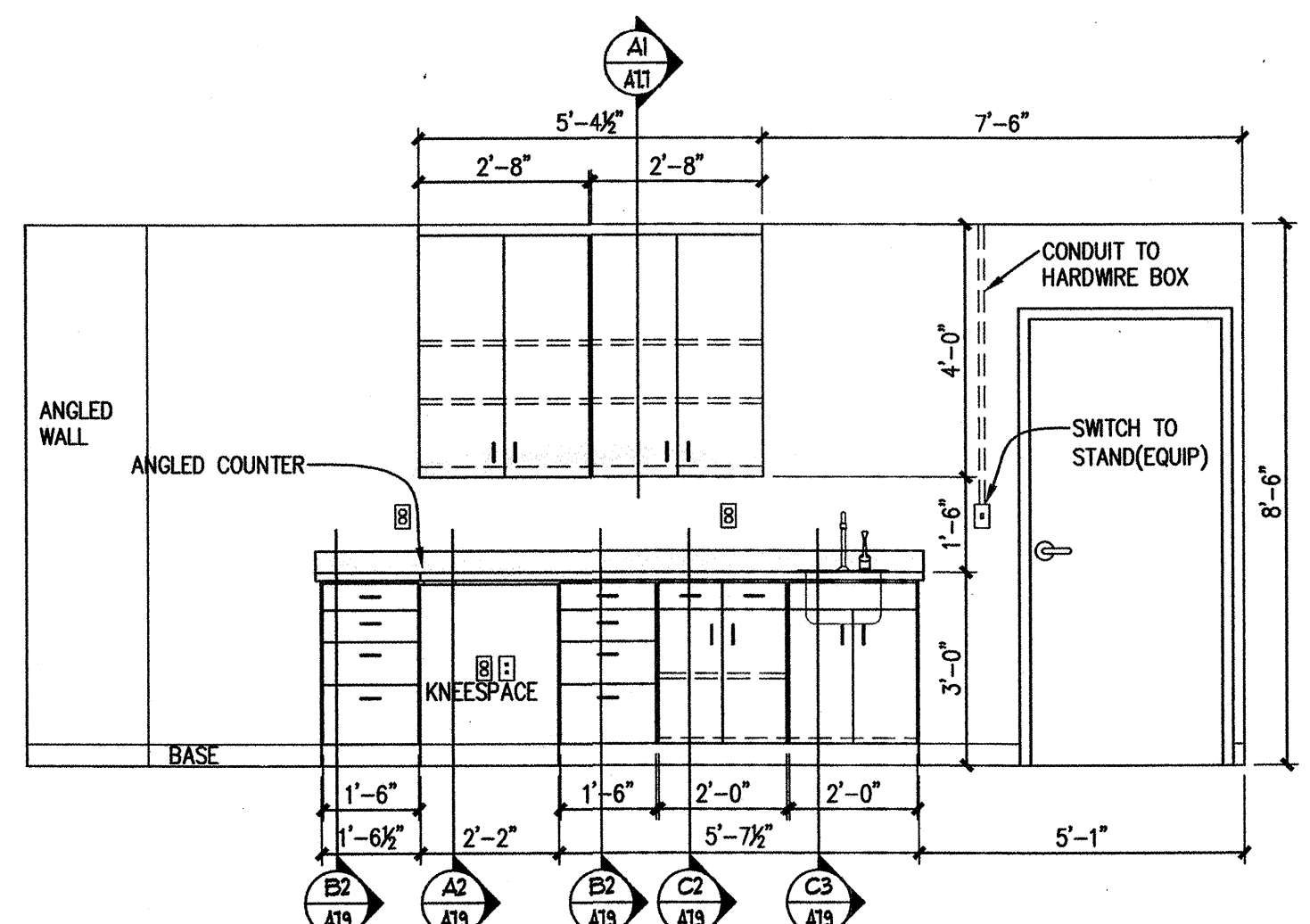
B3 LABORATORY - RM 221
 3/8" = 1'-0"



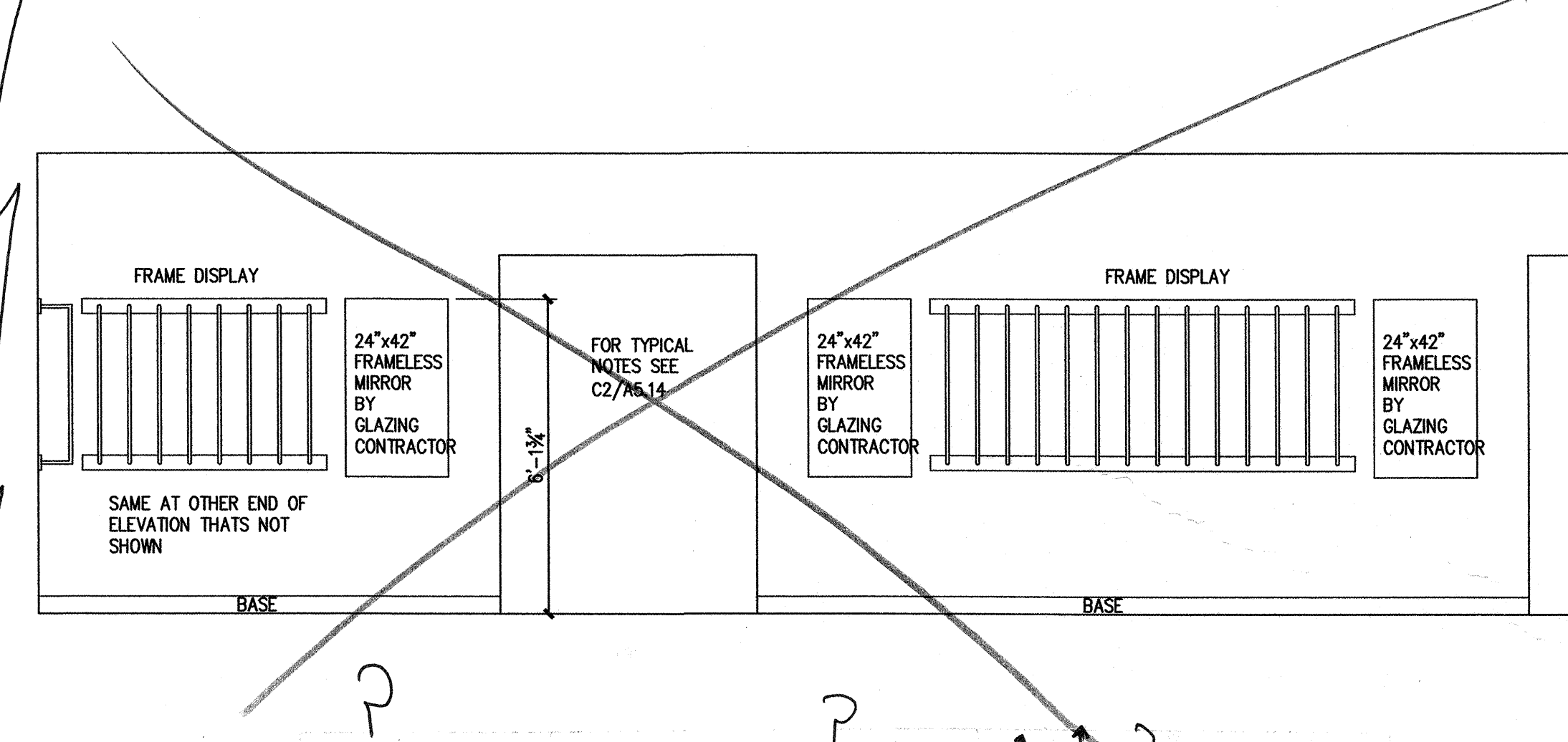
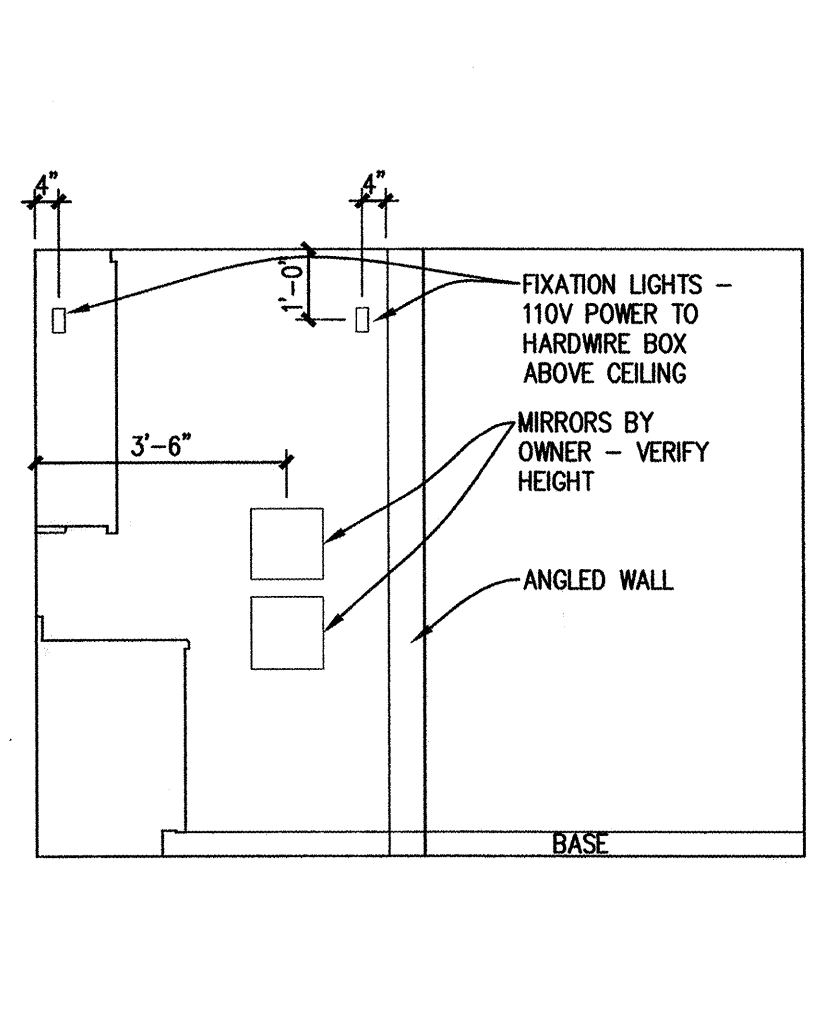
Pat, Mark has pointed us in the right direction on this one. The detail bugs at B3/A5.14 that read C1/A5.17 should both be edited to read C1/A7.8. The cubby/slots drawn on A5.14 are owner added at a later time.



A1 EXAM ROOM - RM 224 (TYP)
 3/8" = 1'-0"

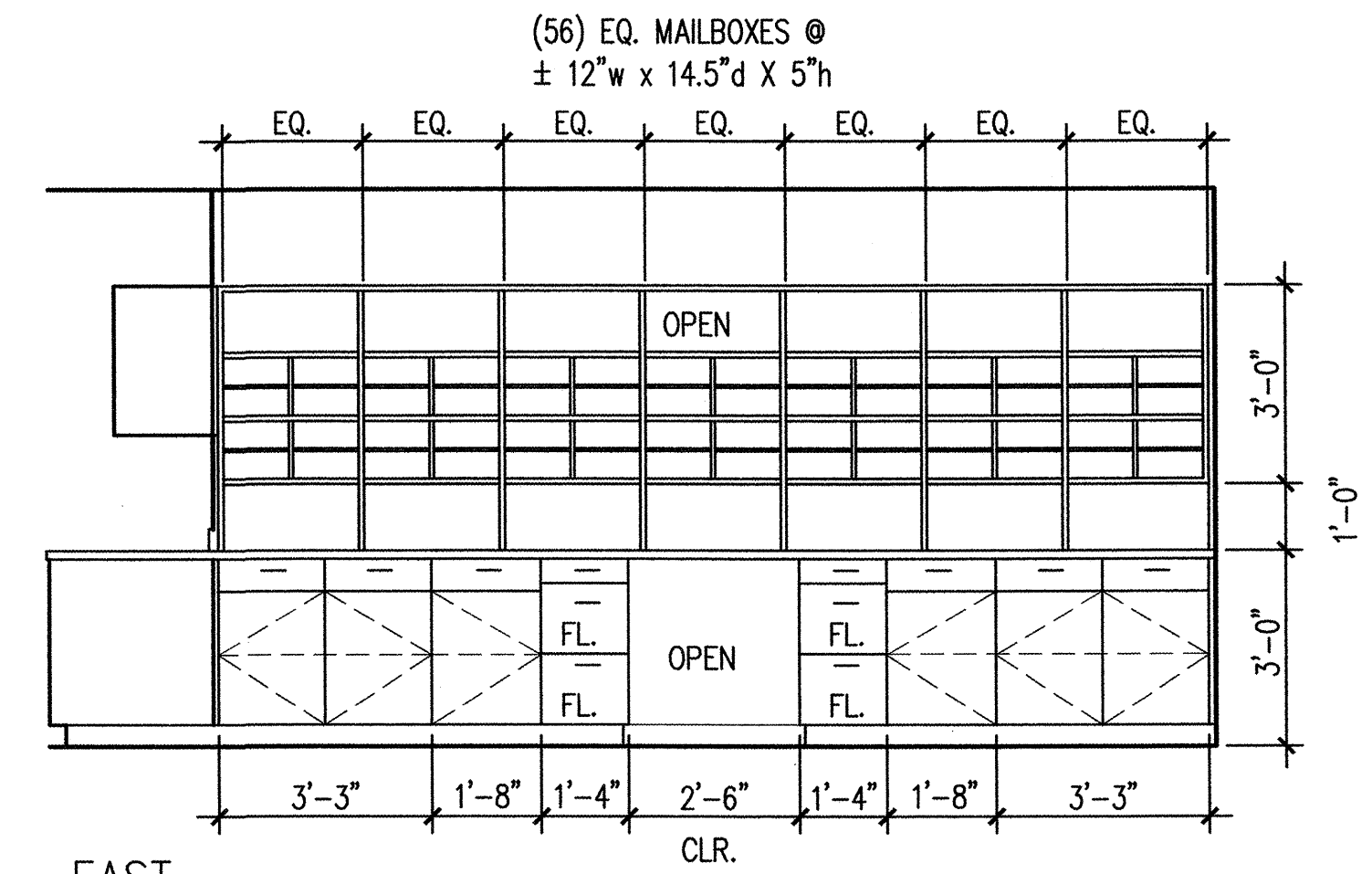
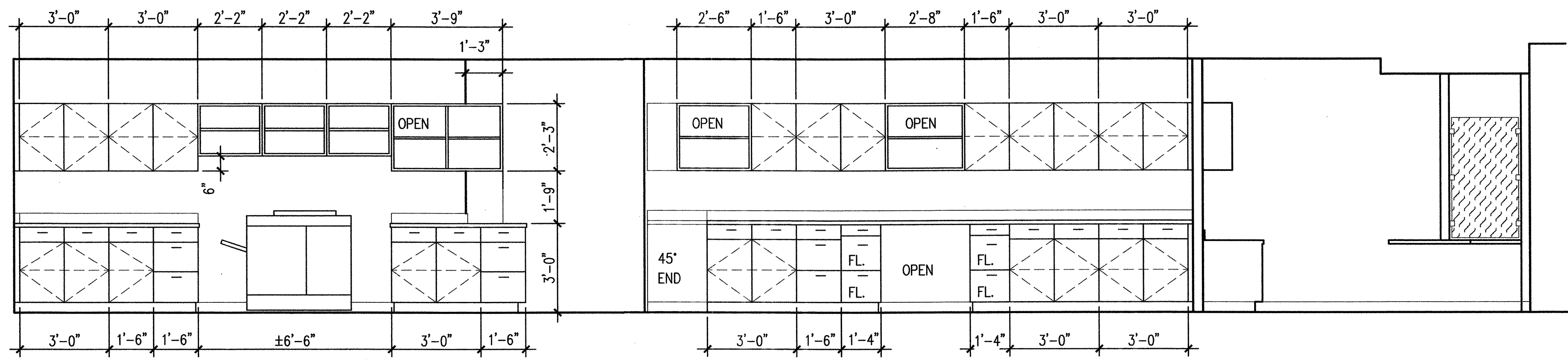


225, 226, 228, 229, 230, 231, 246, 247, 250, 251



In the 10/1/02 Clarification Doc, Detail A1 was split into two. I added "A4: Dispensary - Rms 209, 210, 211." This elevation is looking northeast.

100% SUBMITTAL

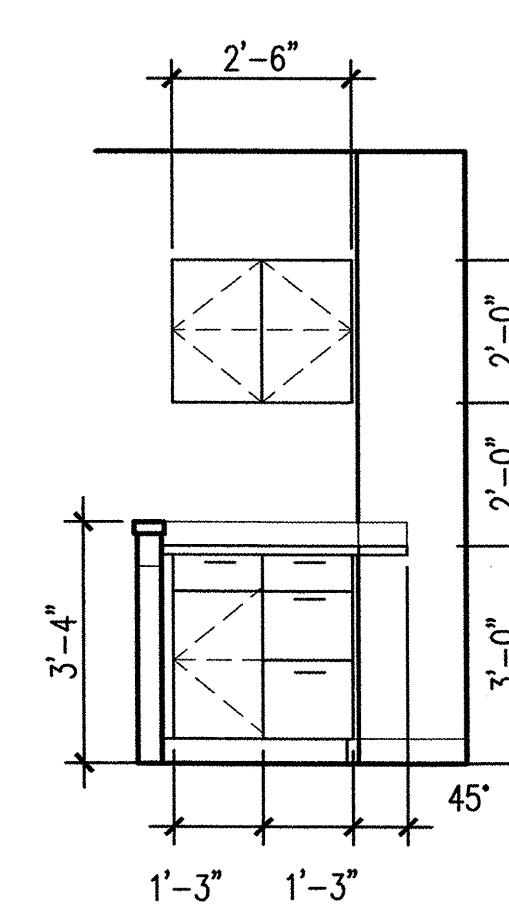
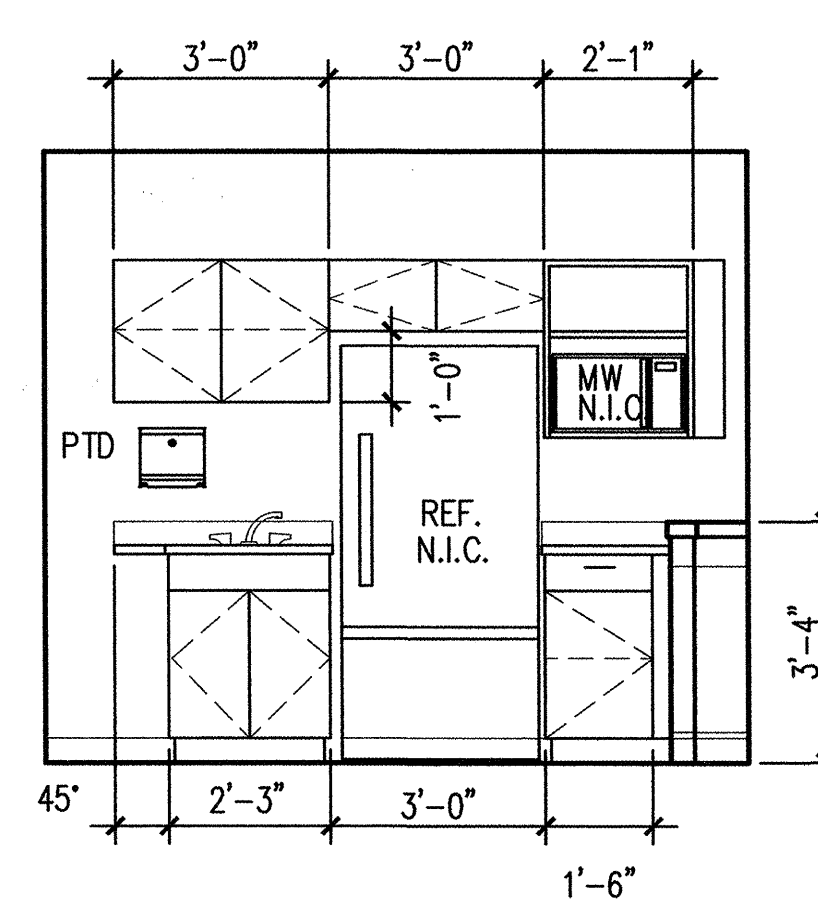
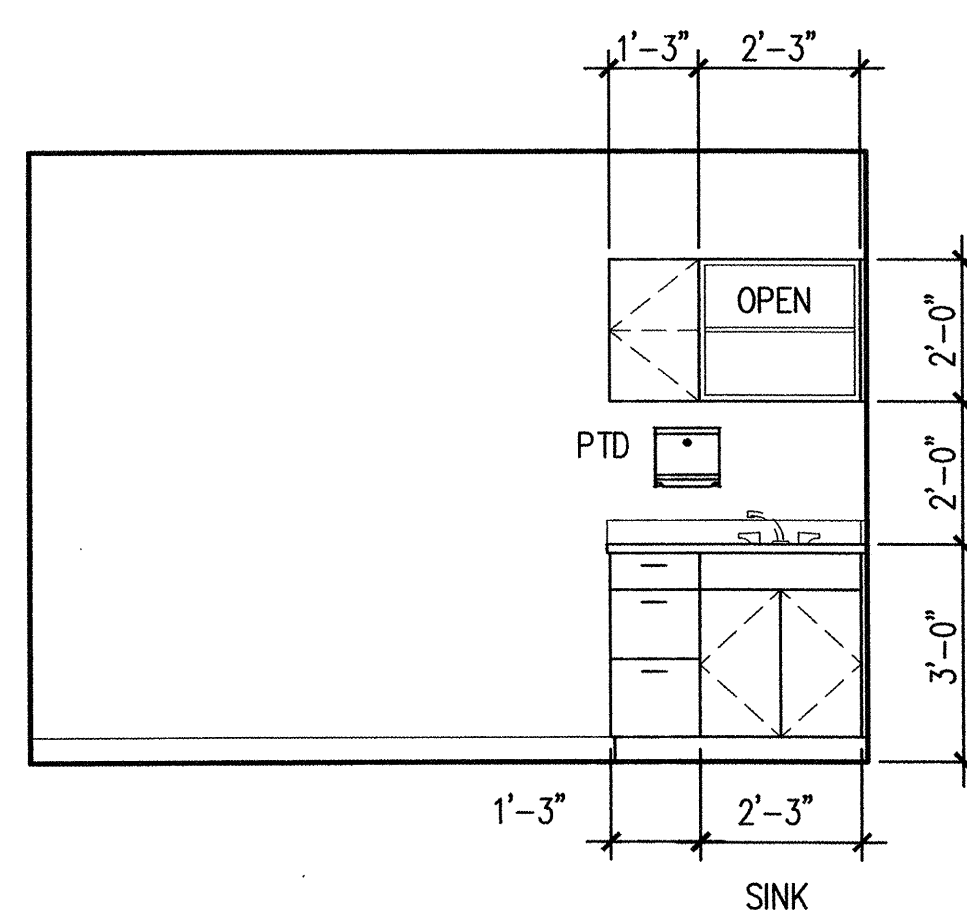
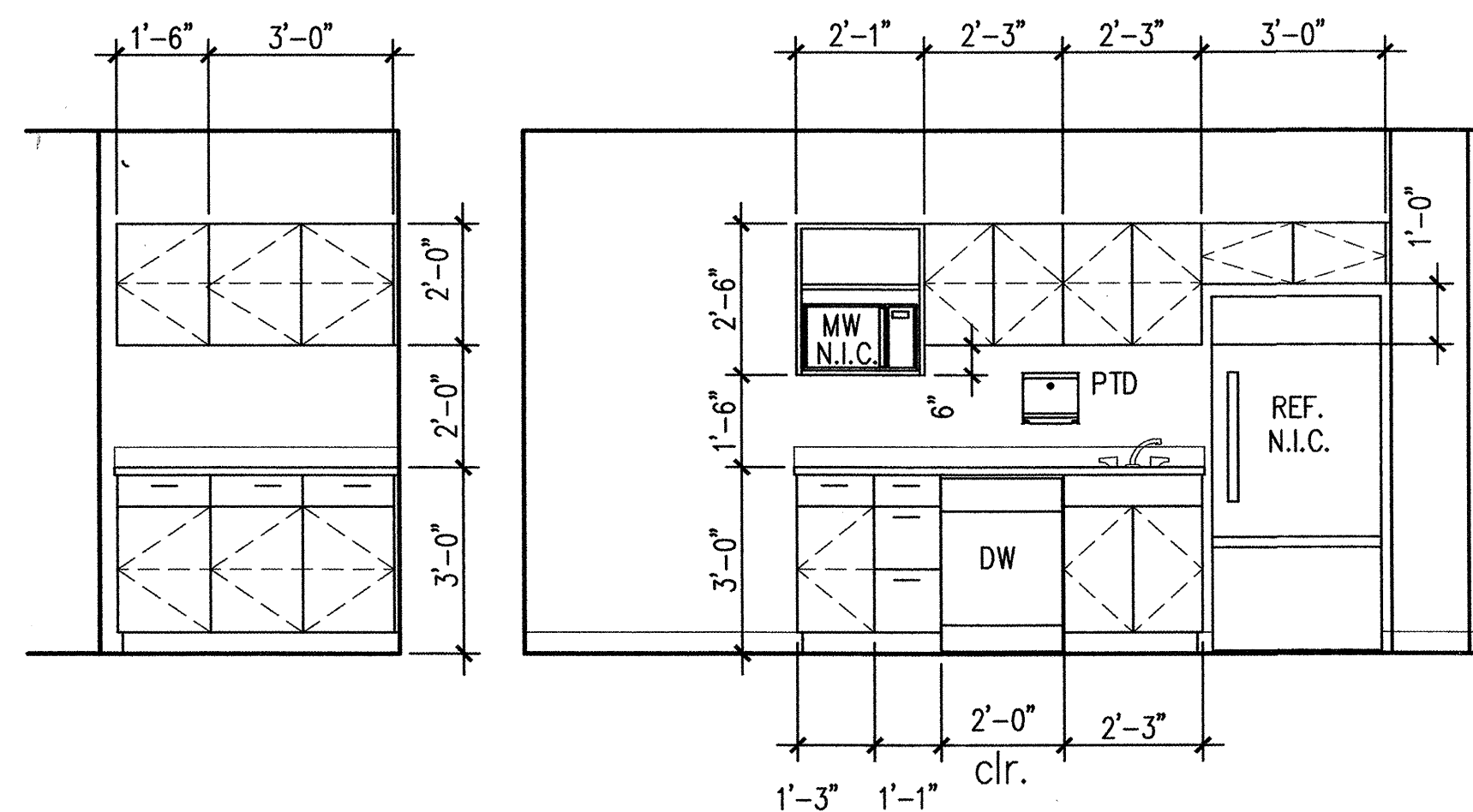


SOUTH-WEST

EAST

1 WORK ROOM 305 / REAPPOINT. 304
3/8" = 1'-0"

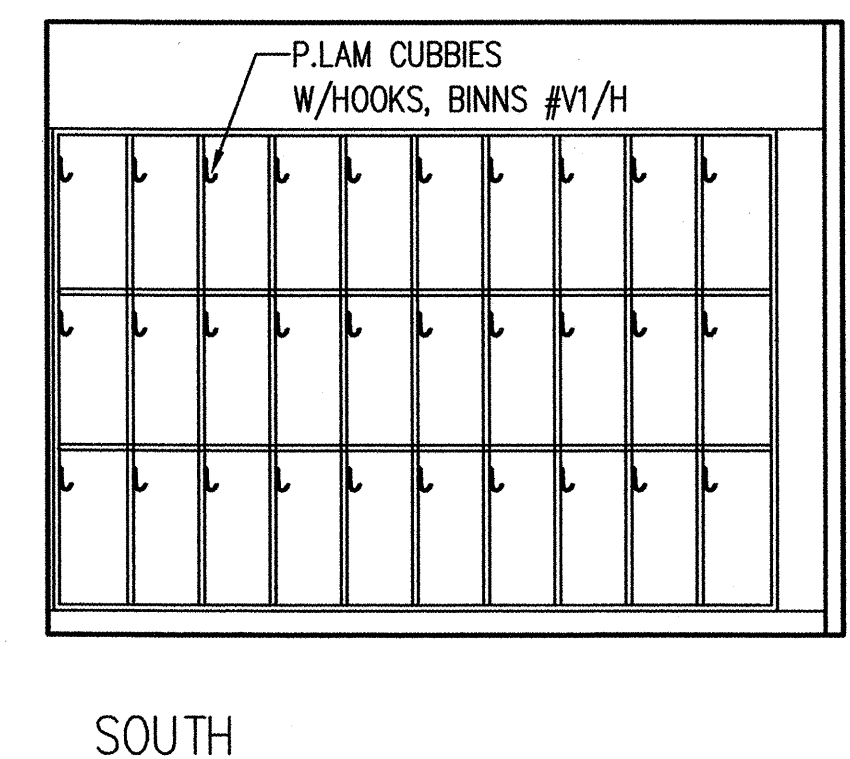
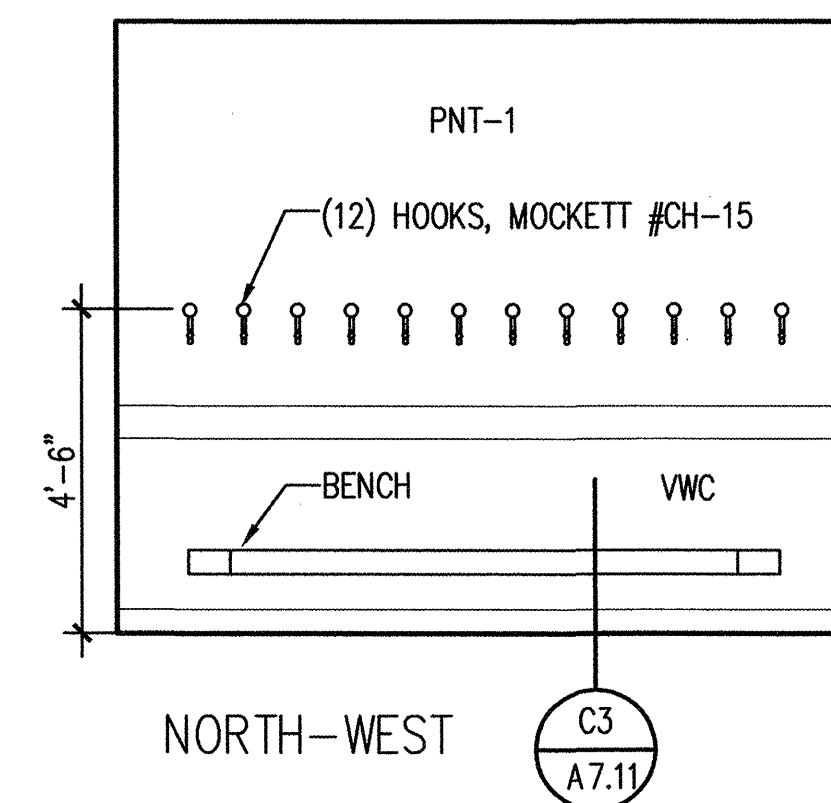
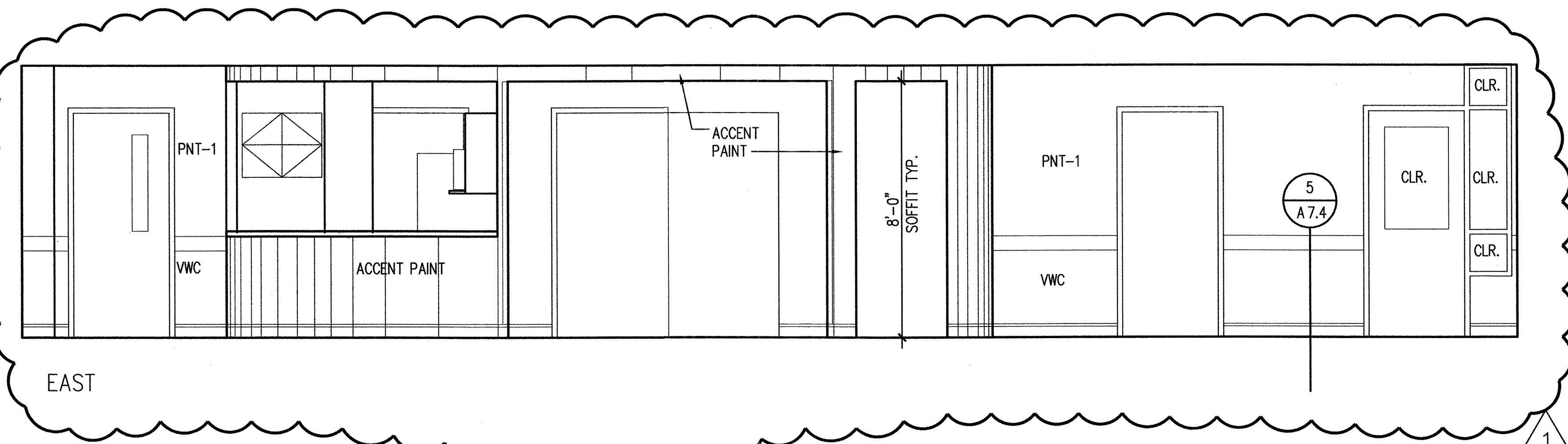
2 WORK ROOM 305
3/8" = 1'-0"



3 STAFF LOUNGE 328
3/8" = 1'-0"

4 FAMILY THERAPY 333
3/8" = 1'-0" ROOMS 334, 335, 336 & 357 SIM.

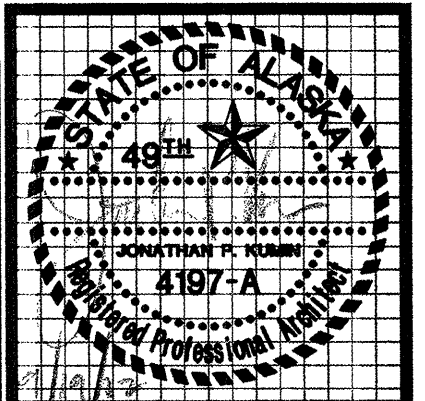
5 TRAILS COM 346
3/8" = 1'-0"



6 HALL 341
3/8" = 1'-0"

7 HALL 341
3/8" = 1'-0"

8 TRAILS HALL 344
3/8" = 1'-0"



kumin associates, inc.
architects • planners • interior designers

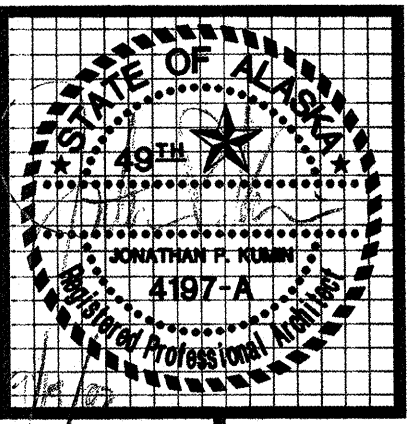
Sjoquist Architects, Inc.
2001 University Ave SE #200
Minneapolis, Minnesota 55414
612.379.9233 Fax 612.379.9263
http://www.sjoquist.com

SOUTHCENTRAL FOUNDATION
NEW CLINIC FOR
DENTAL, OPTOMETRY and BEHAVIORAL HEALTH
TUDOR RD. and TUDOR CENTER DRIVE ANCHORAGE ALASKA

drawn	SZ
checked	DB, JS
date	9-17-02
revisions	
1	8-28-02 95%
2	9-17-02 100%
job no.	20152
dwg. title	INTERIOR ELEVATIONS 3rd FLOOR
sheet no.	0

100% SUBMITTAL

A5.17



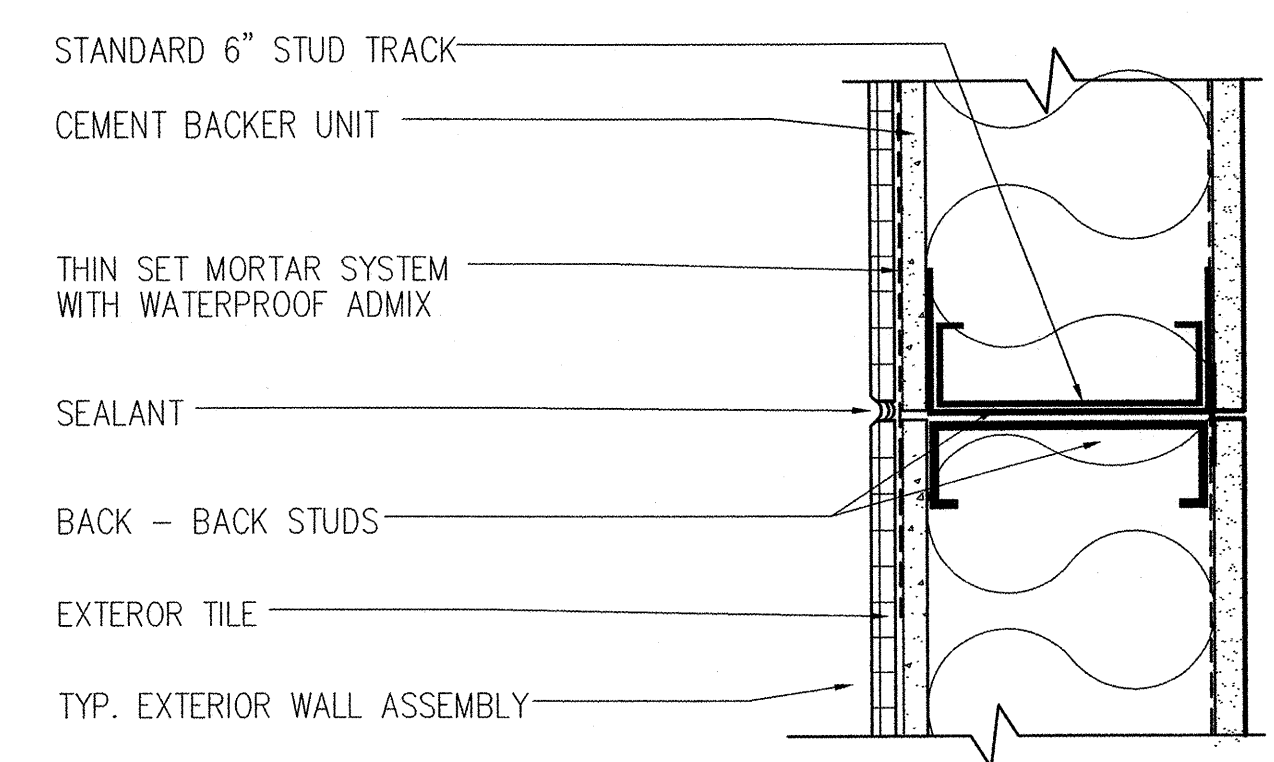
kumin associates, inc.
architects • interior designers
planners •

Sjoquist Architects, Inc.
2001 University Ave STE #200
Minneapolis, Minnesota 55414
612.379.9233 Fax 612.379.9263
http://www.sjoquist.com

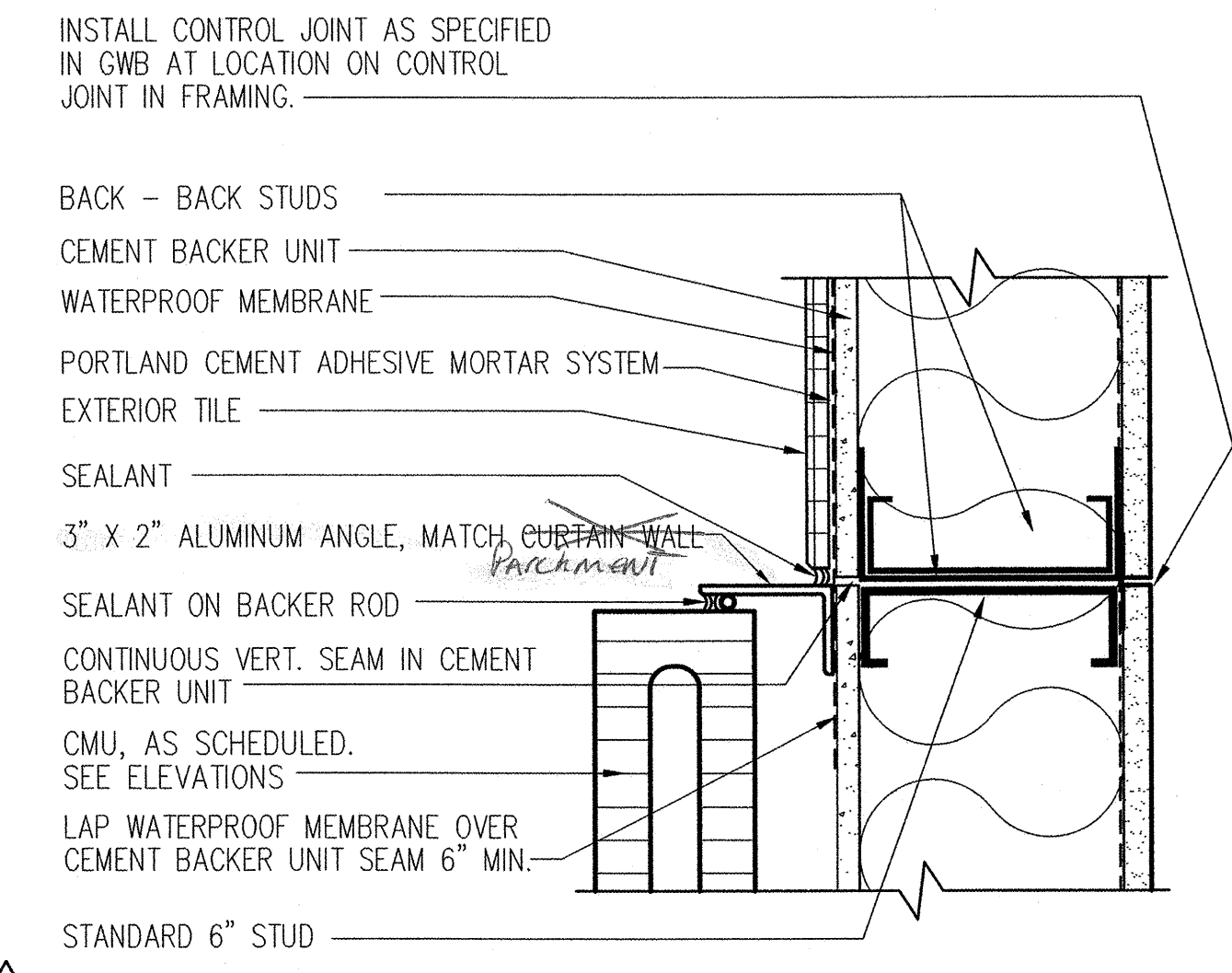
SOUTHCENTRAL FOUNDATION
NEW CLINIC FOR
DENTAL, OPTOMETRY and BEHAVIORAL HEALTH
TUDOR RD. and TUDOR CENTER DRIVE, ANCHORAGE, ALASKA

drawn	JS
checked	DB, JS
date	9-17-02
revisions	
1	7-8-02 SAC
2	8-26-02 95%
3	9-17-02 100%
job no.	20152
dwg title	EXTERIOR DETAILS
sheet no.	A6.1

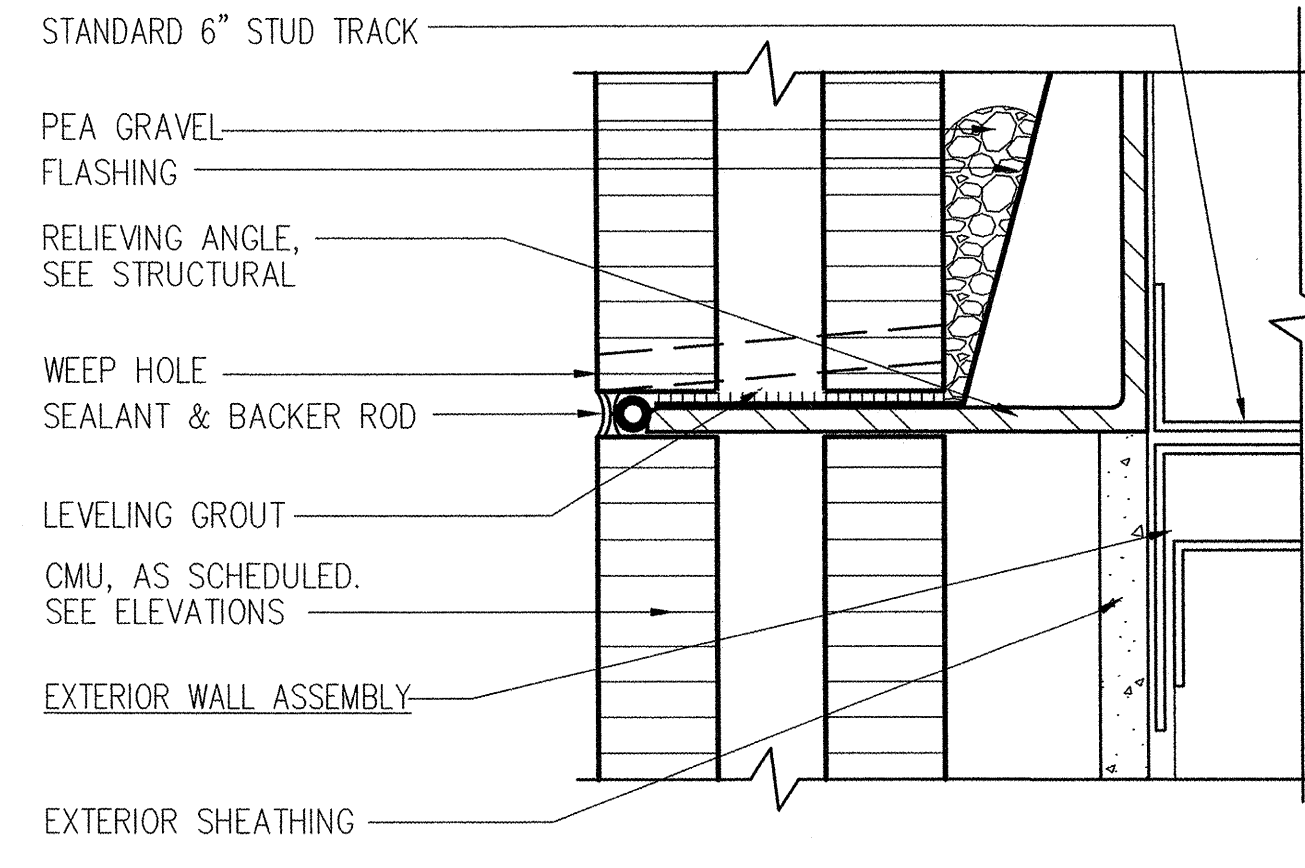
100% SUBMITTAL



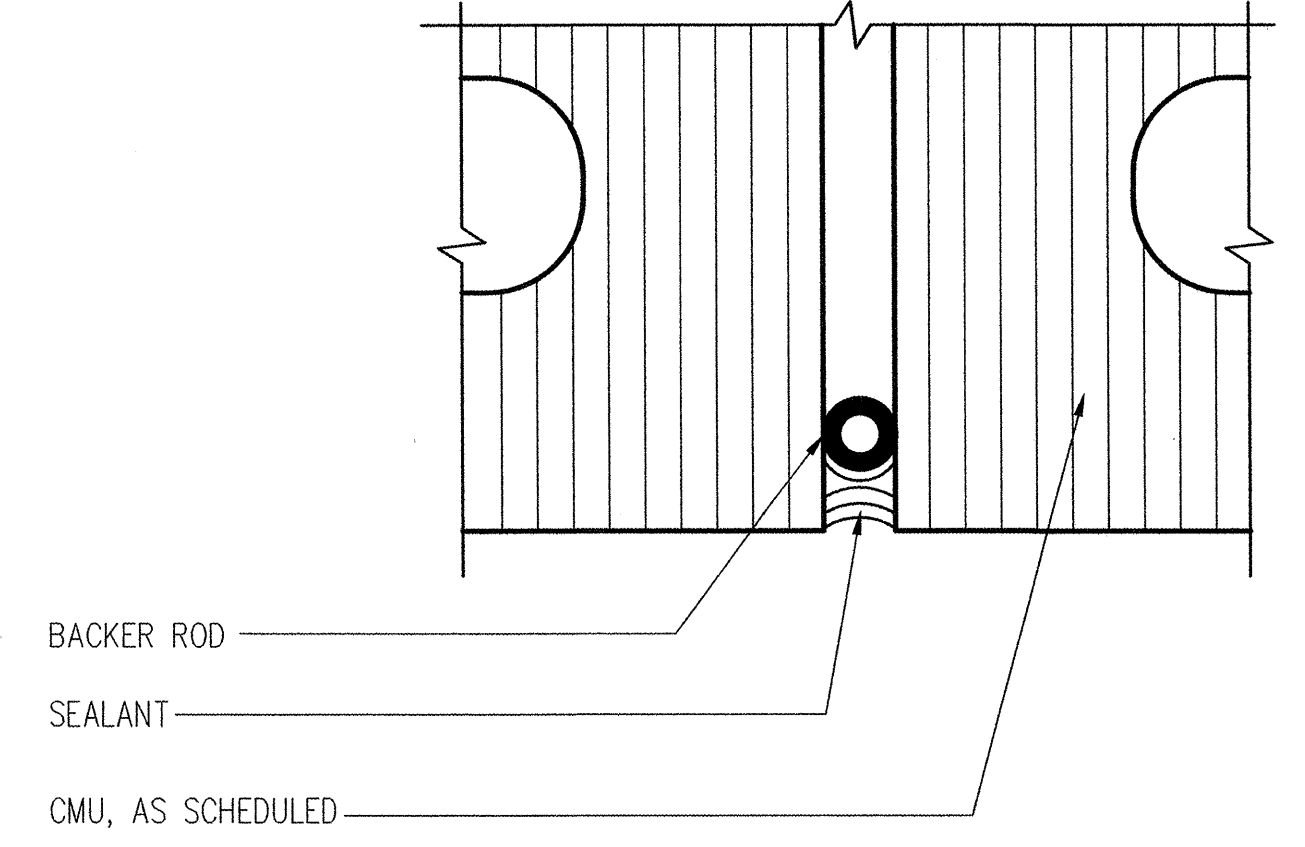
3 TYP. HORIZ. TILE CONTROL JT.
3" = 1'-0"
NOTE: SEE STRUCTURAL FOR FRAMING DETAIL.



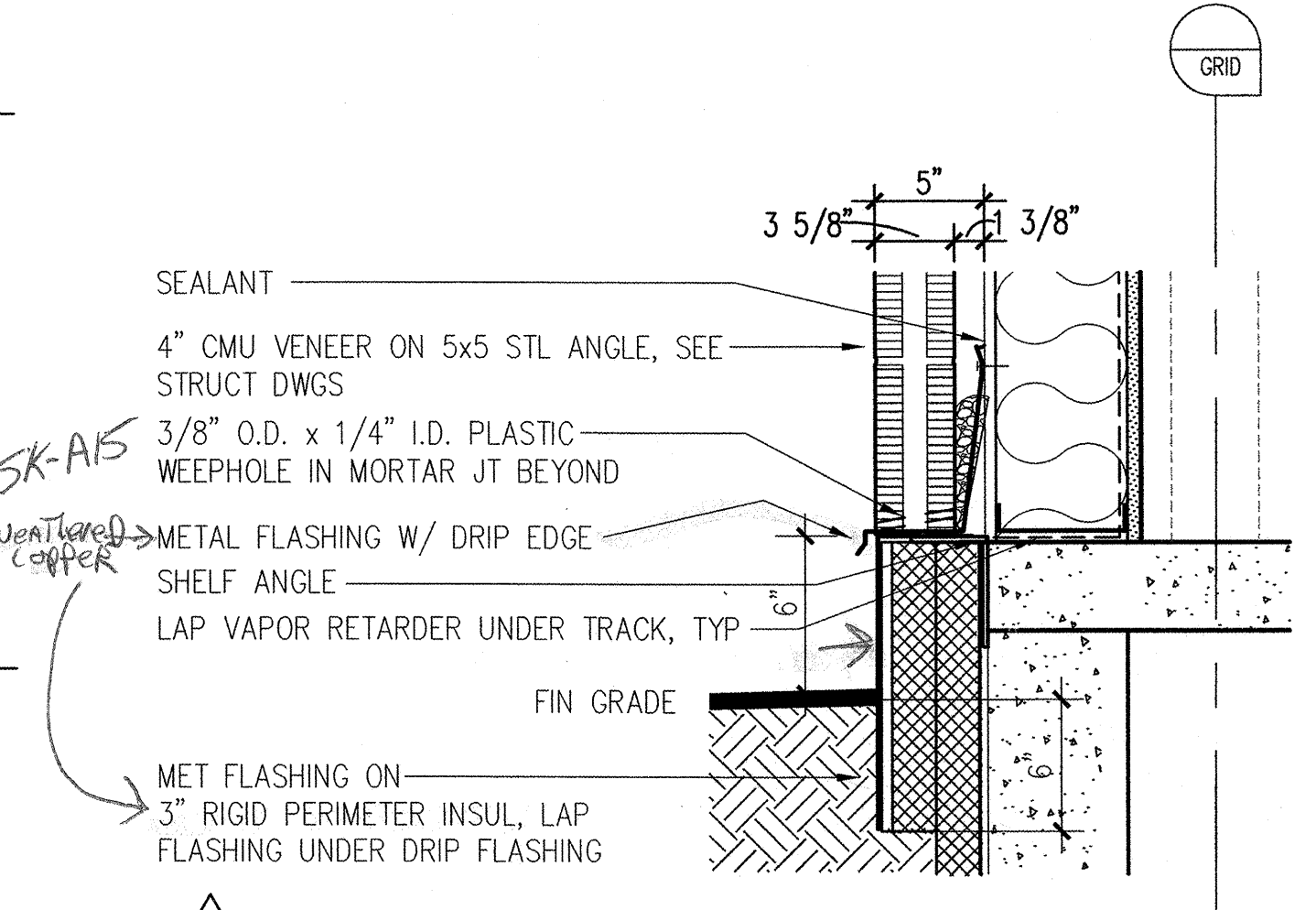
2 TILE TO CMU - VERTICAL JOINT
3" = 1'-0"
NOTE: SEE STRUCTURAL FOR FRAMING DETAIL.



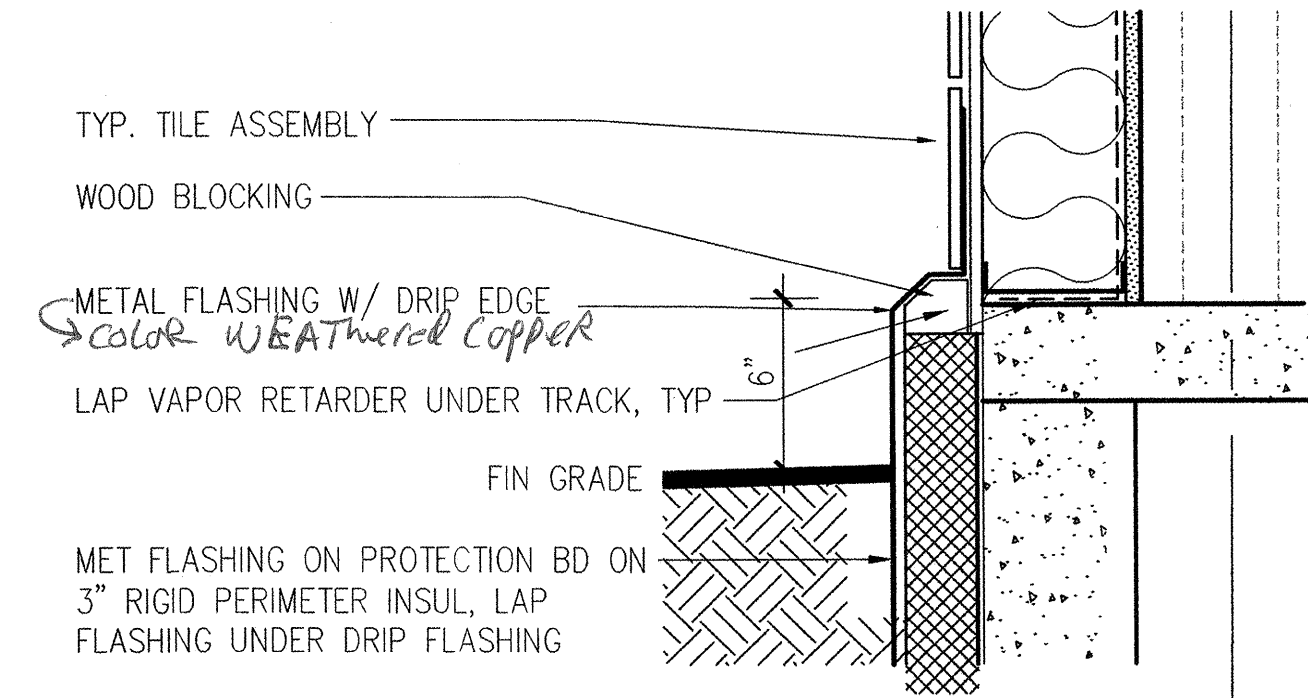
6 TYP. HORIZ. CMU MASONRY VENEER CONTROL JOINT
6" = 1'-0"
NOTE: SEE STRUCTURAL



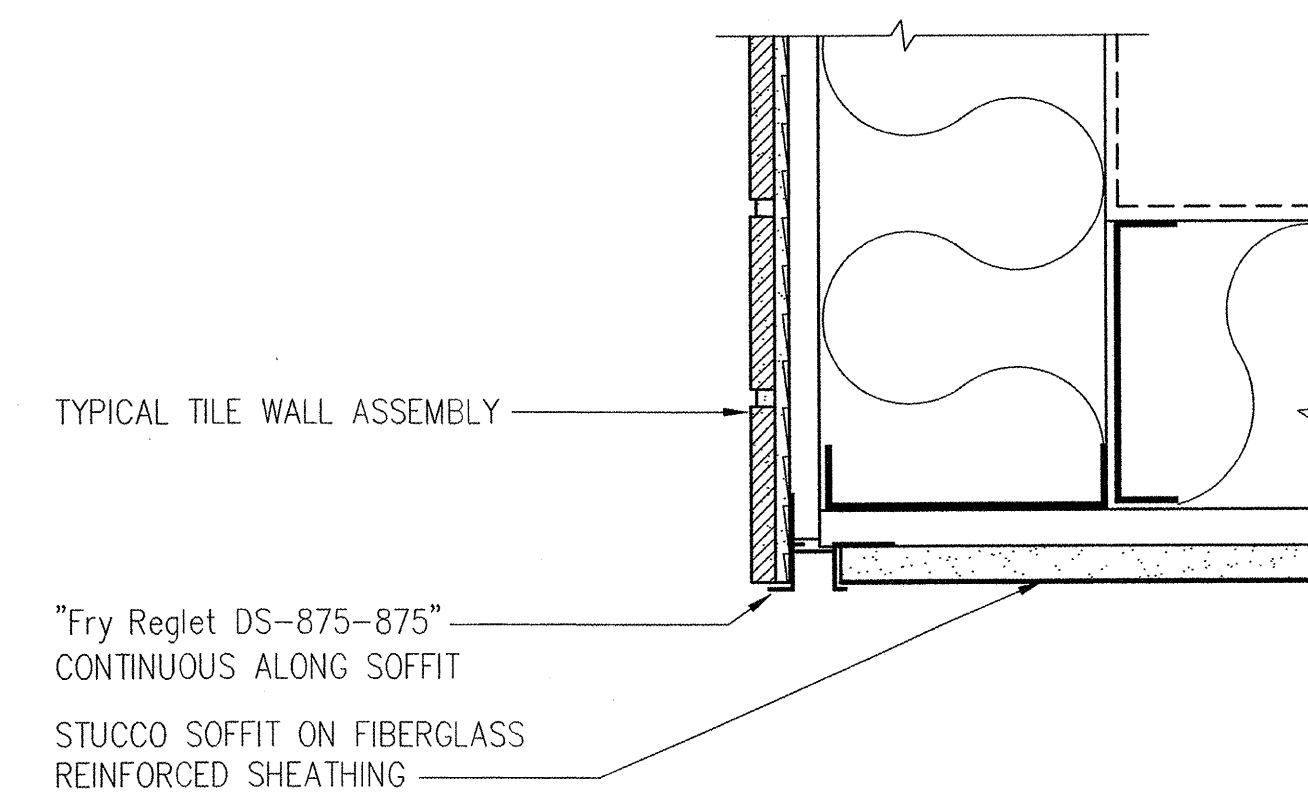
5 TYP. VERTICAL CMU MASONRY VENEER CONTROL JOINT
FULL SIZE



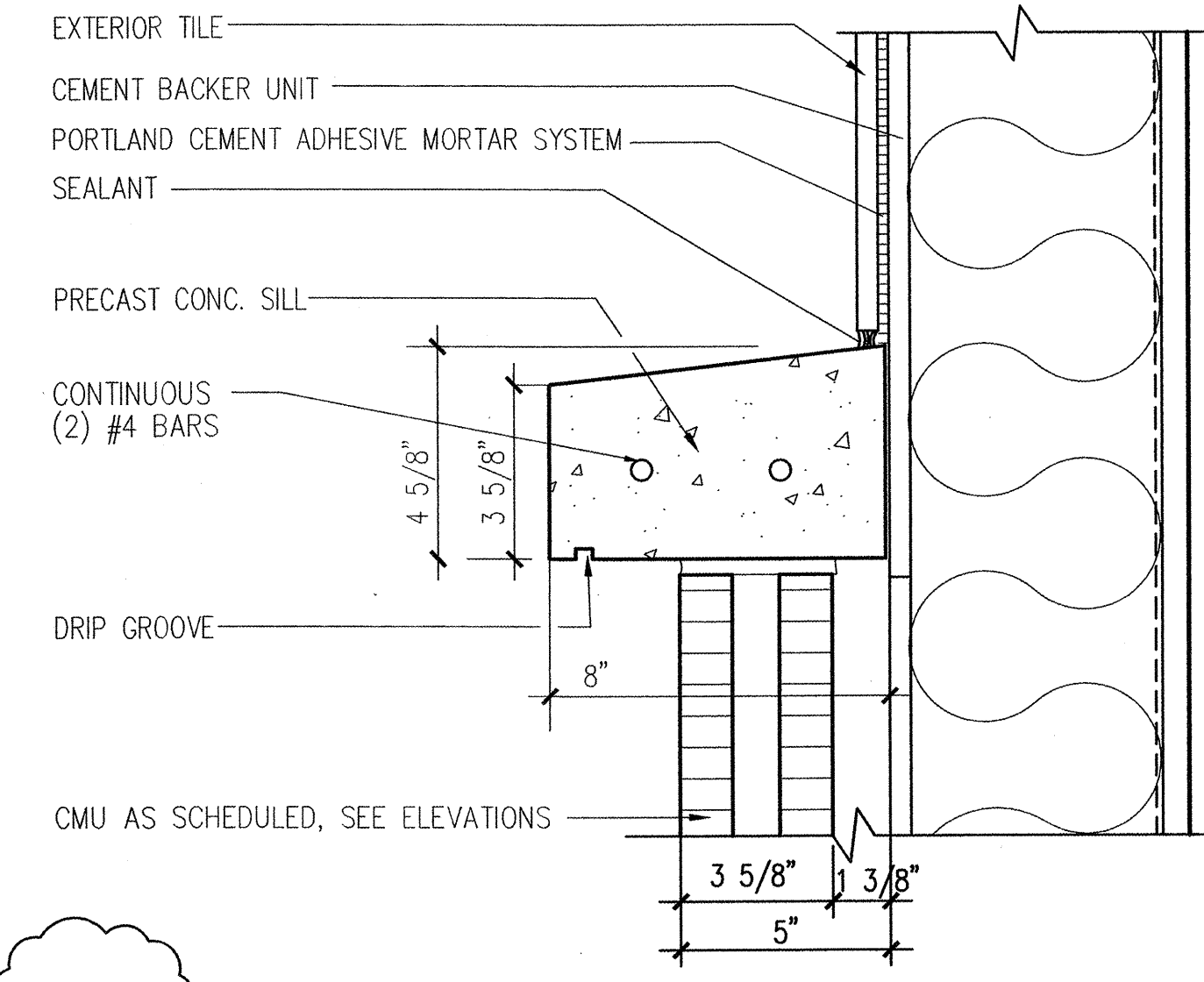
1 BASE OF WALL @ CMU
1 1/2" = 1'-0"



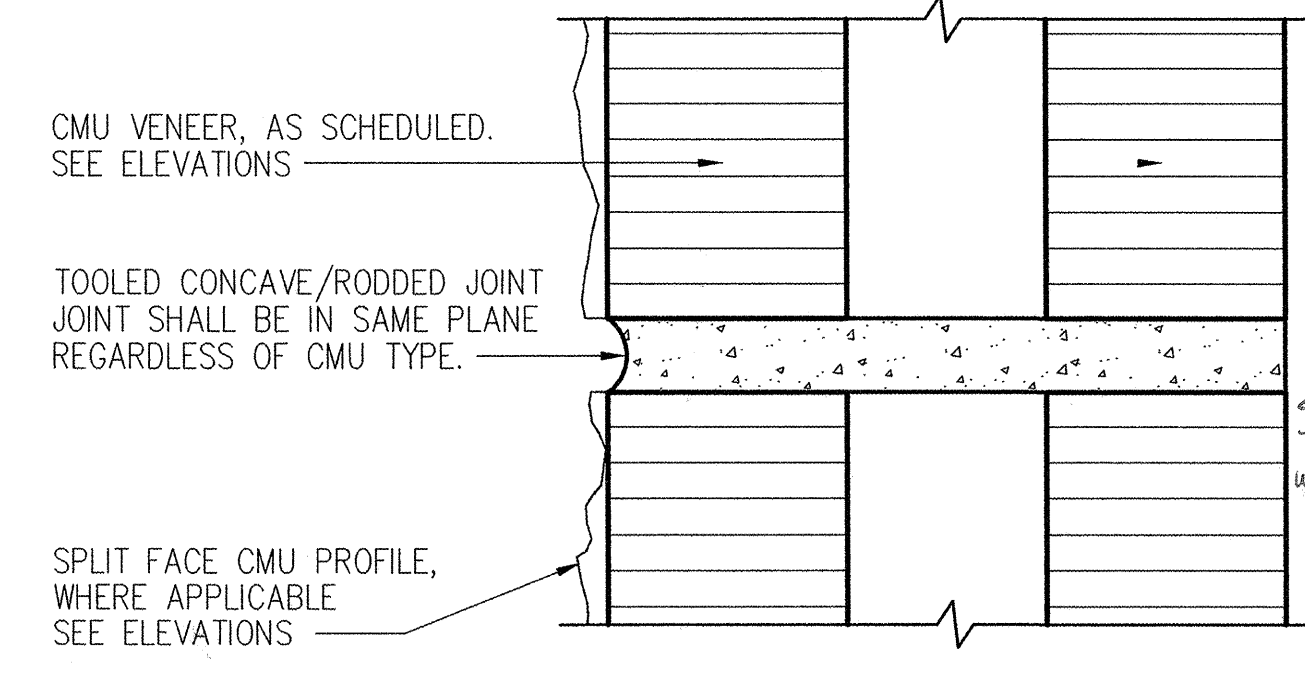
9 BASE OF WALL @ BRICK TILE
1/2" = 1'-0"



8 SOFFIT
3" = 1'-0"



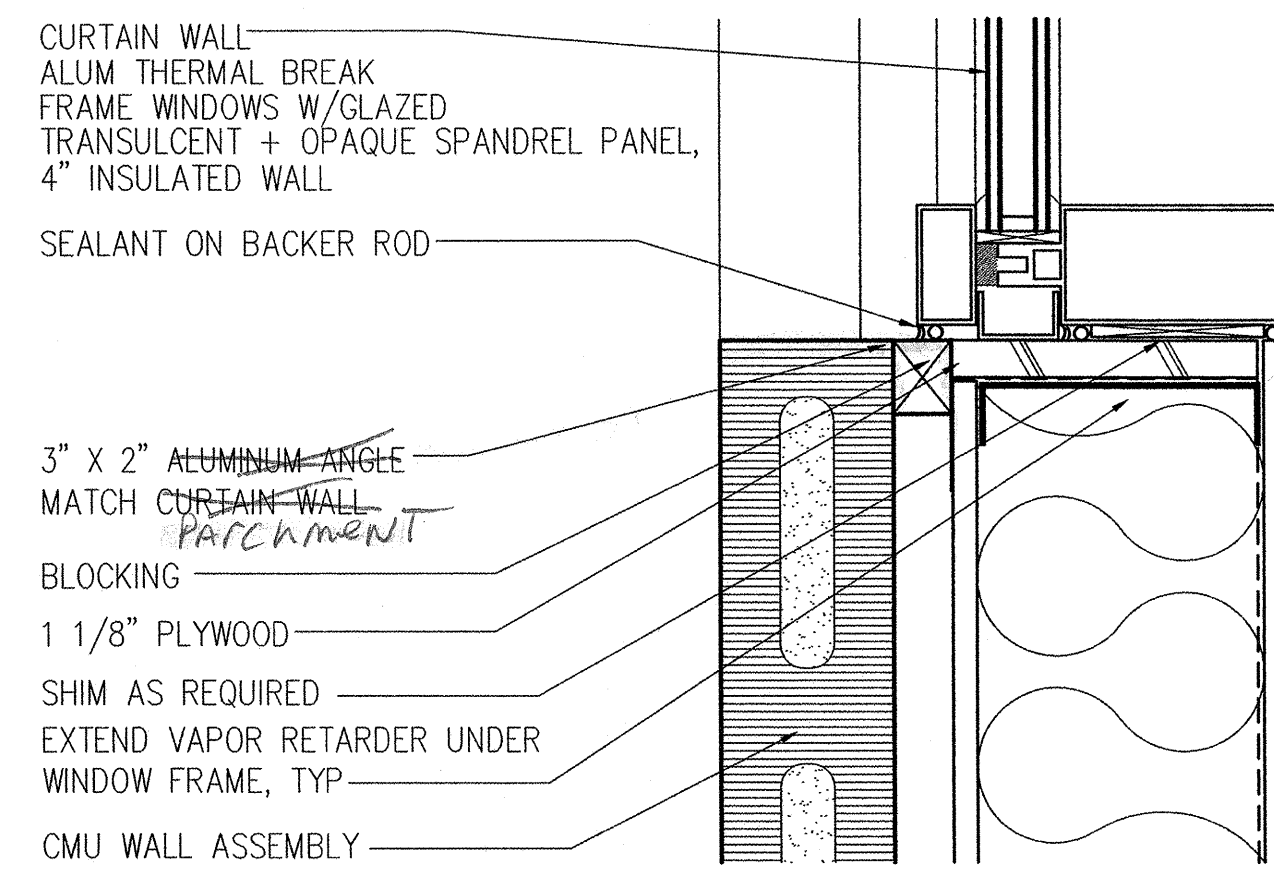
7 PRECAST CONCRETE SILL
3" = 1'-0"
SEE STRUCTURAL FOR SILL ANCHOR



4 TYP. MASONRY MORTAR JOINT
FULL SIZE

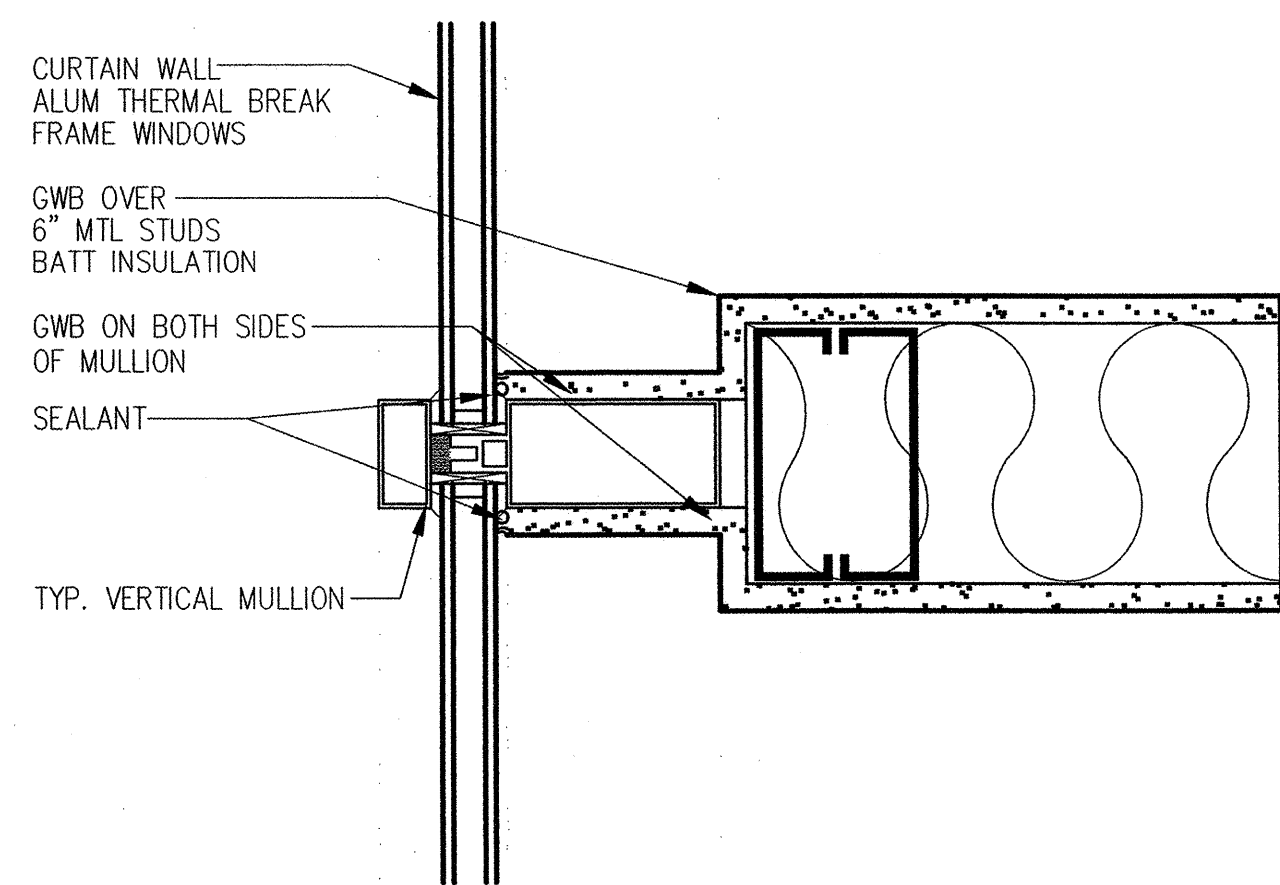
12

11
3" = 1'-0"



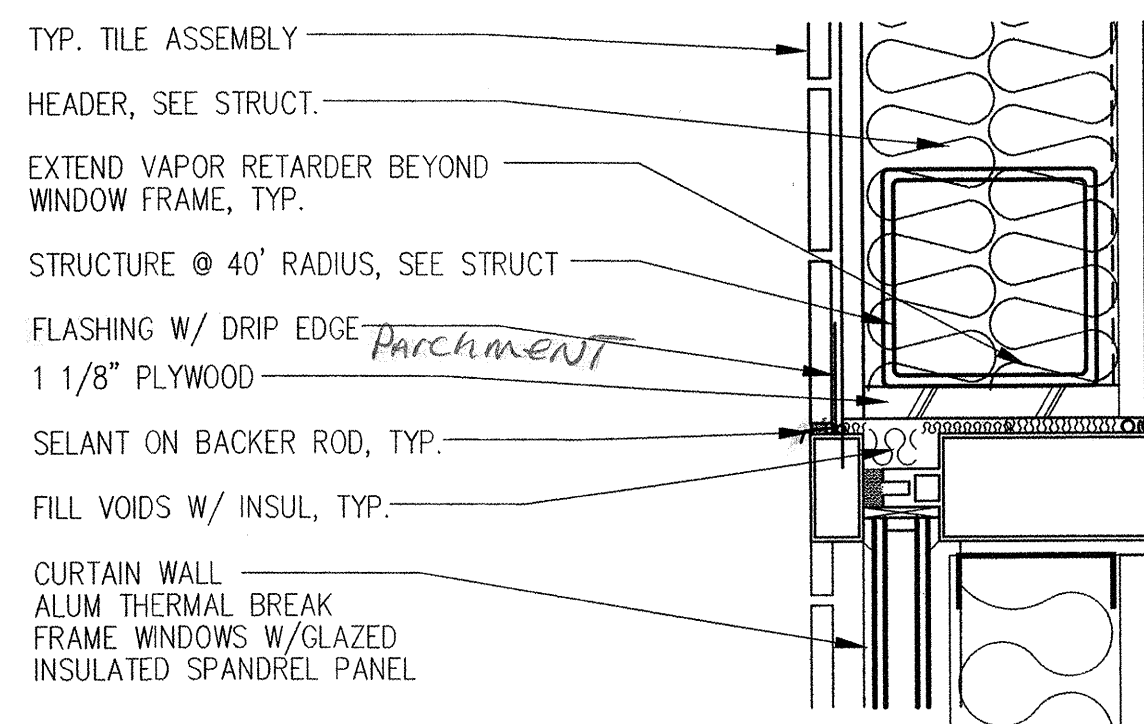
10 JAMB @ CW & CMU
3" = 1'-0"

7 PRECAST CONCRETE SILL
3" = 1'-0"
SEE STRUCTURAL FOR SILL ANCHOR



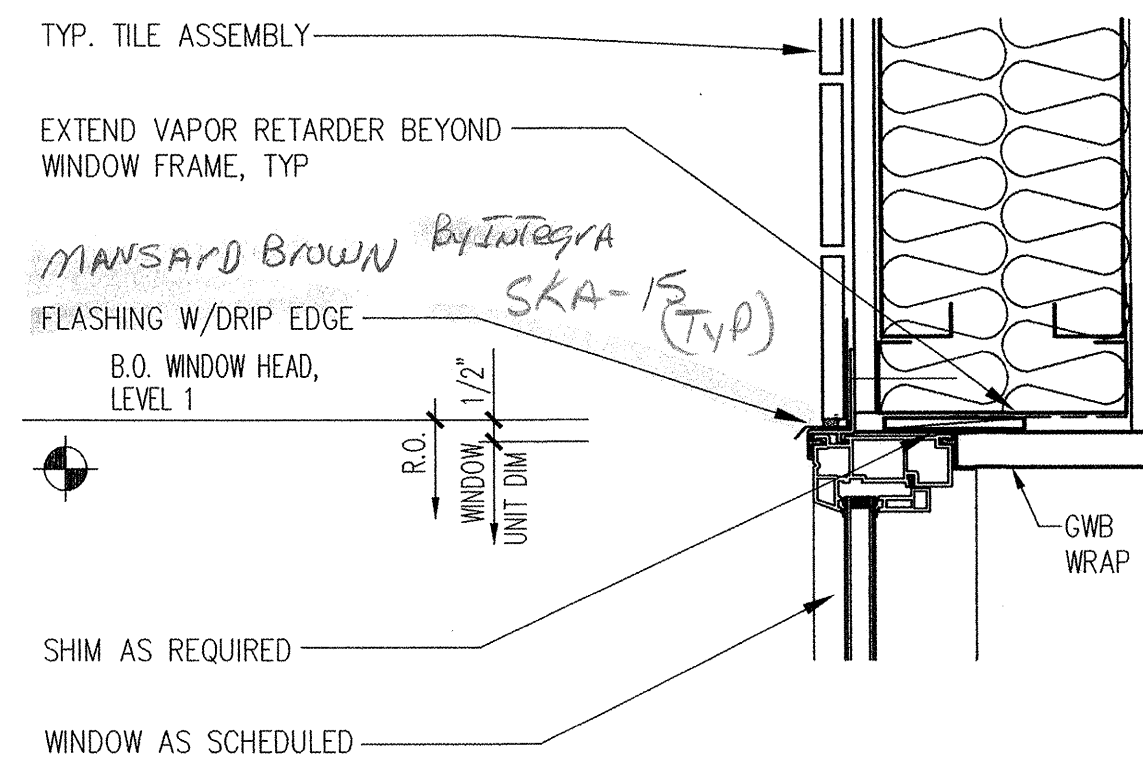
12 CURTAIN WALL DETAIL

3" = 1'-0"



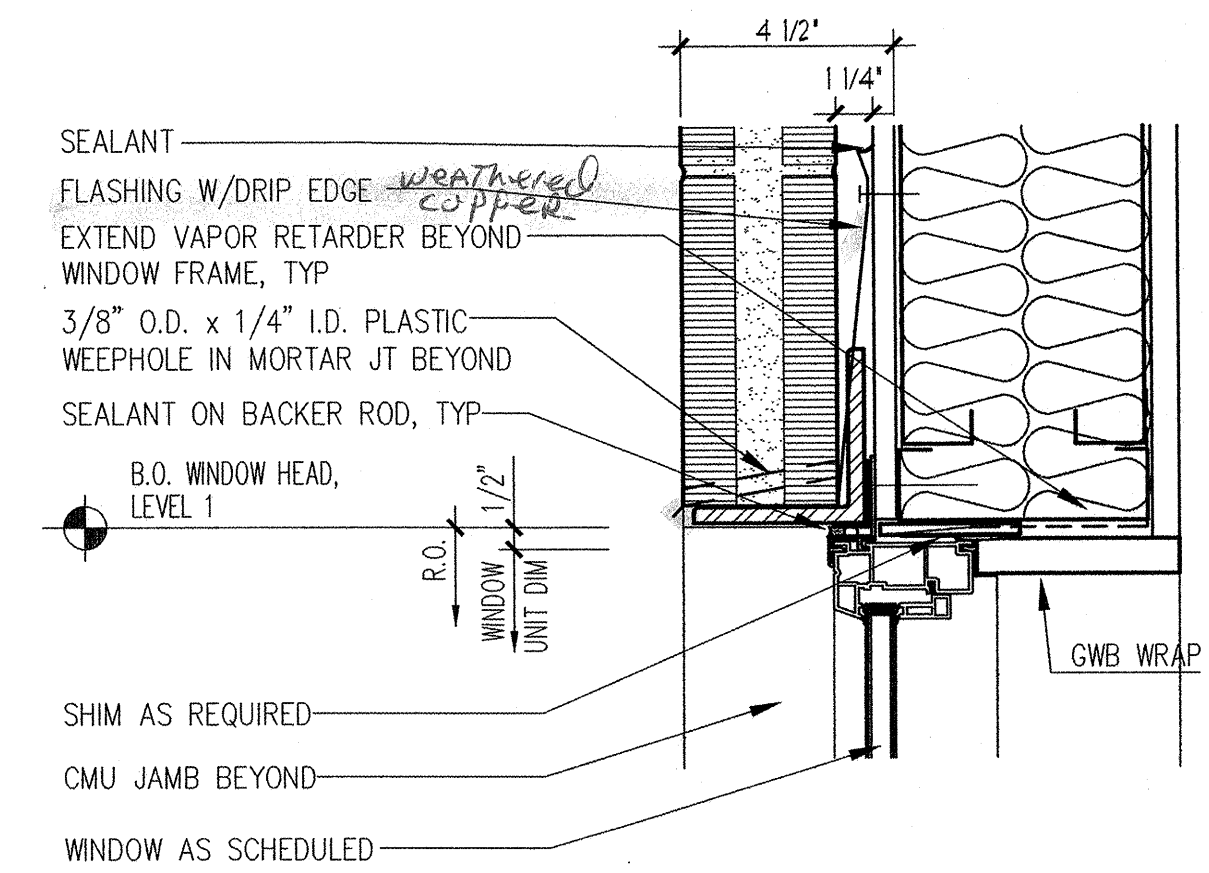
9 HEAD AT CURTAIN WALL

3" = 1'-0"



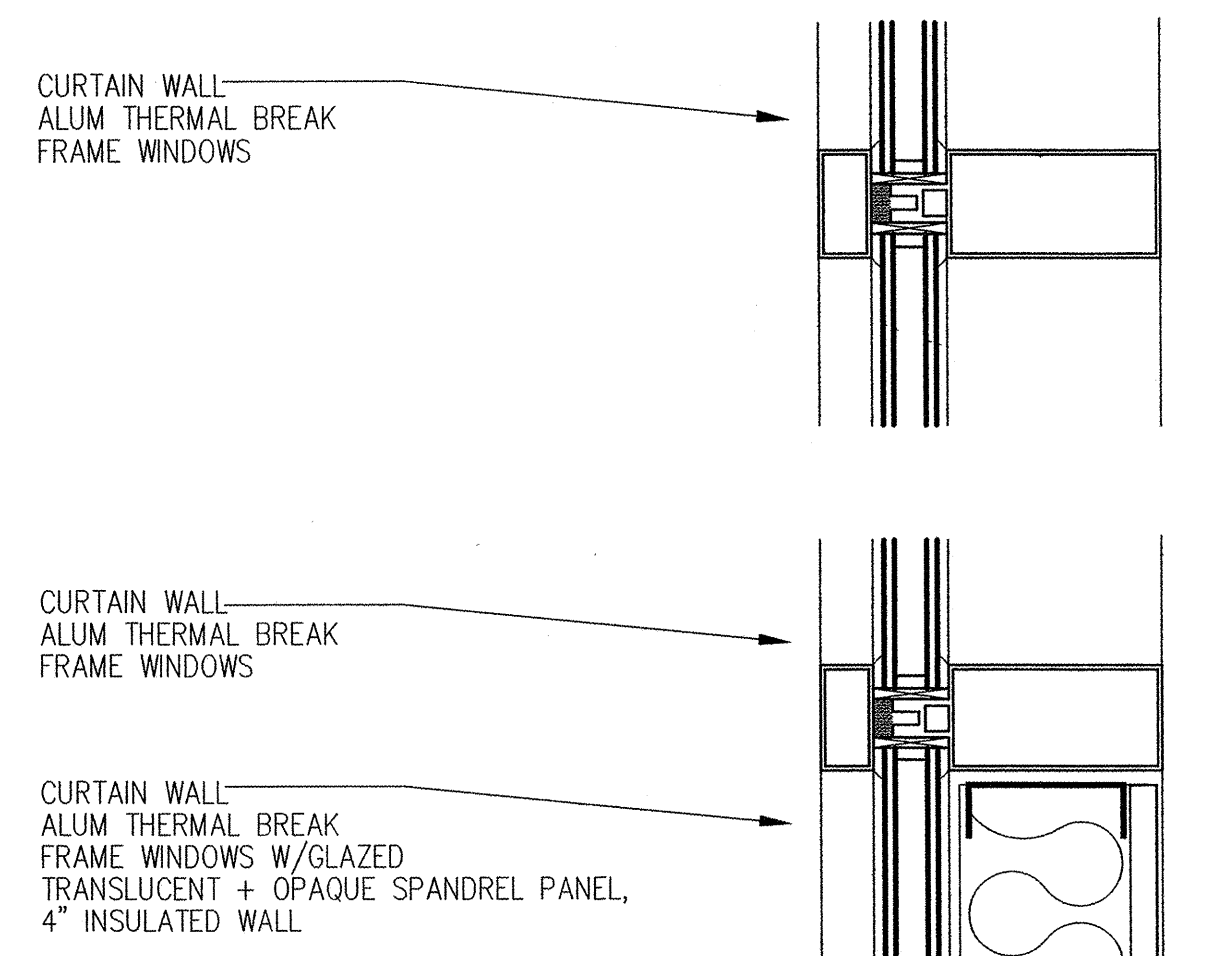
6 HEAD AT TILE WALL

3" = 1'-0"



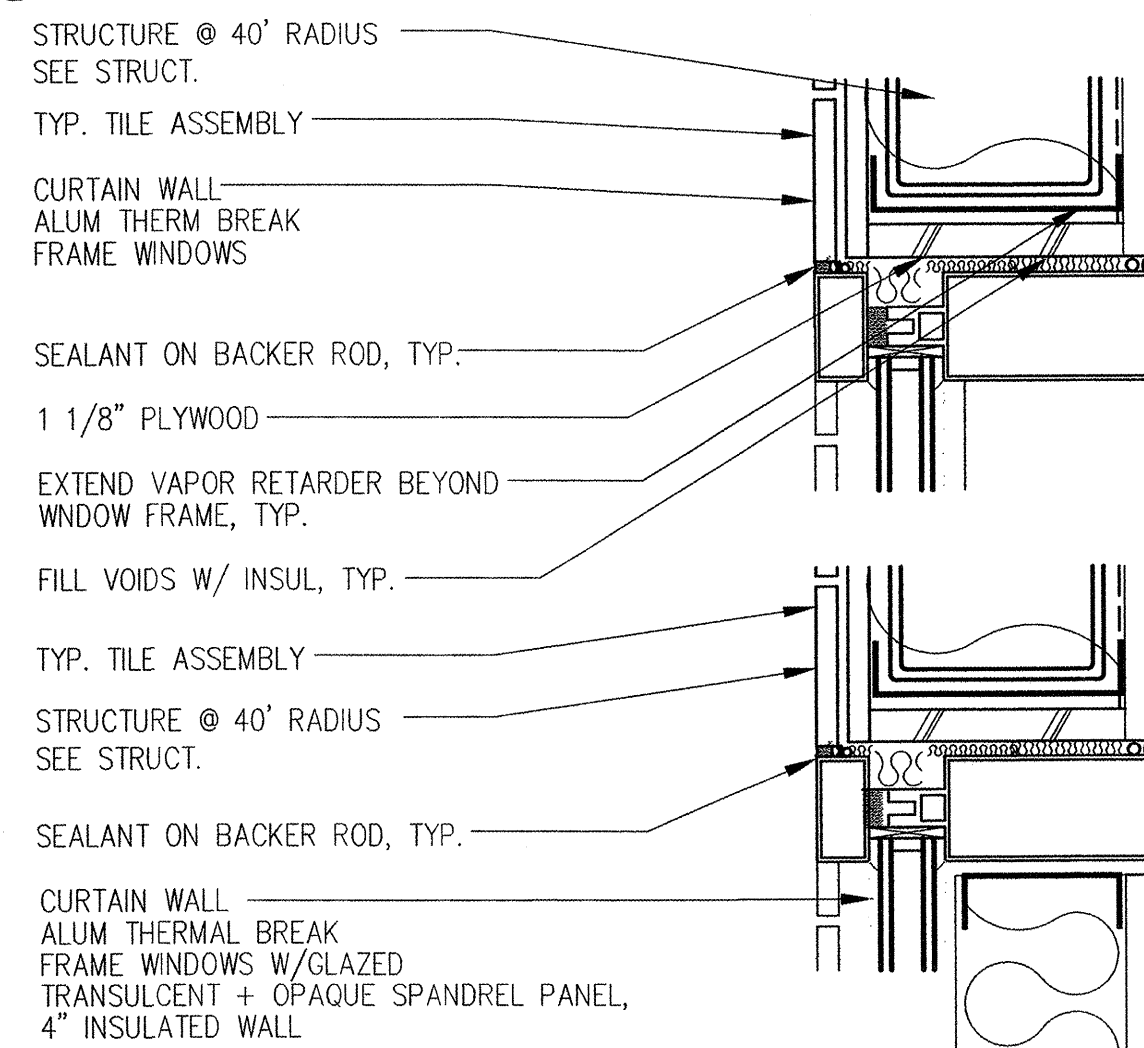
3 HEAD AT CMU WALL

3" = 1'-0"



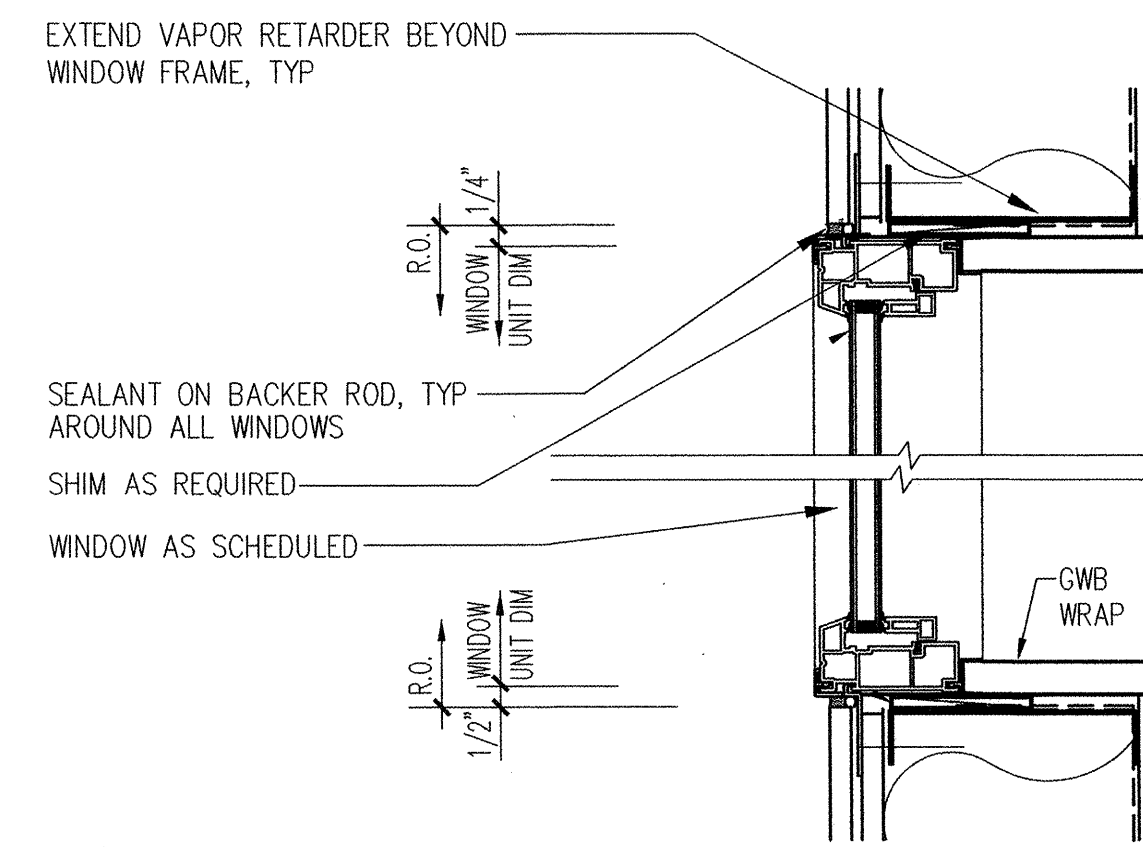
11 CURTAIN WALL MULLIONS

3" = 1'-0"



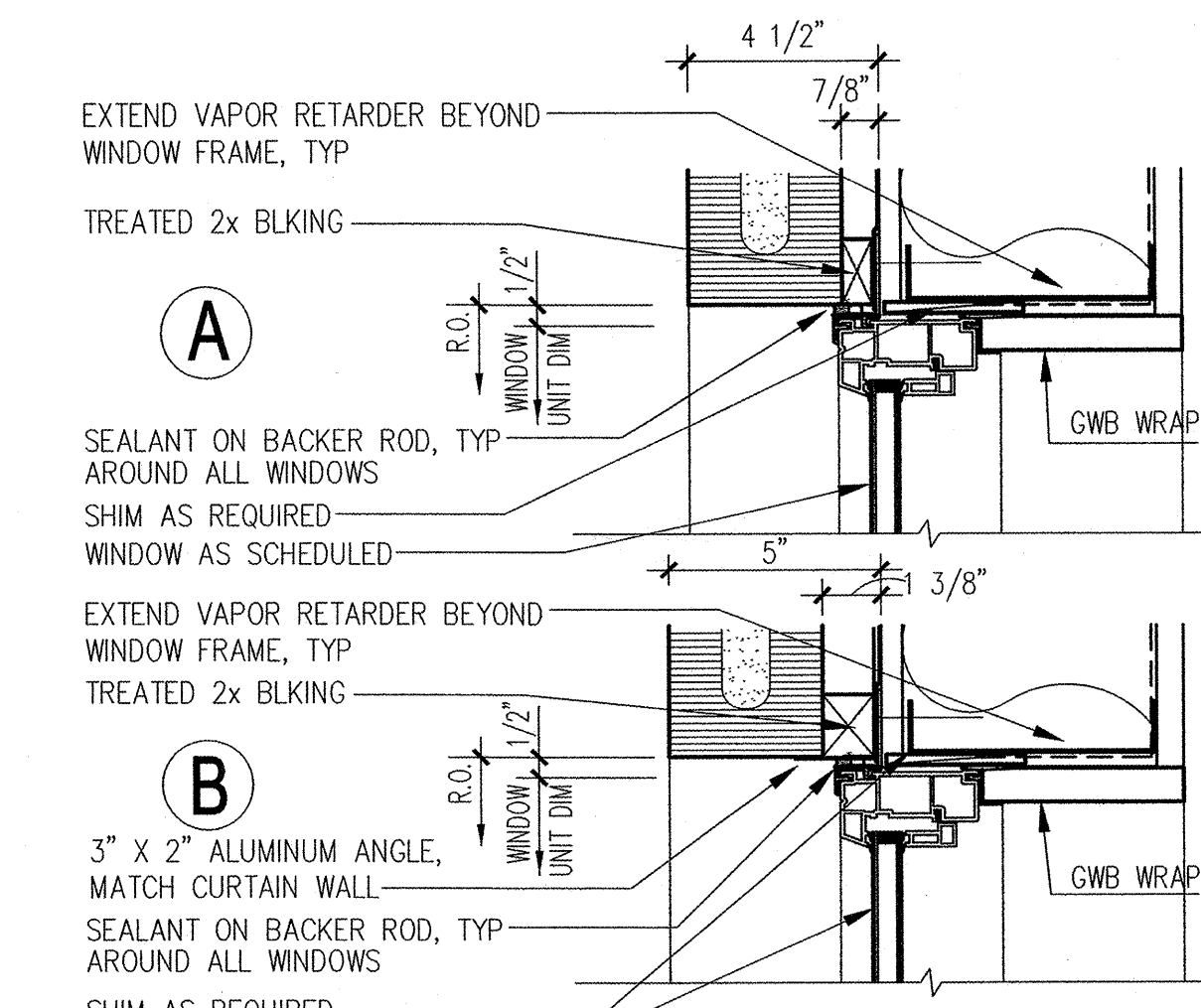
8 JAMB AT CURTAIN WALL

3" = 1'-0"



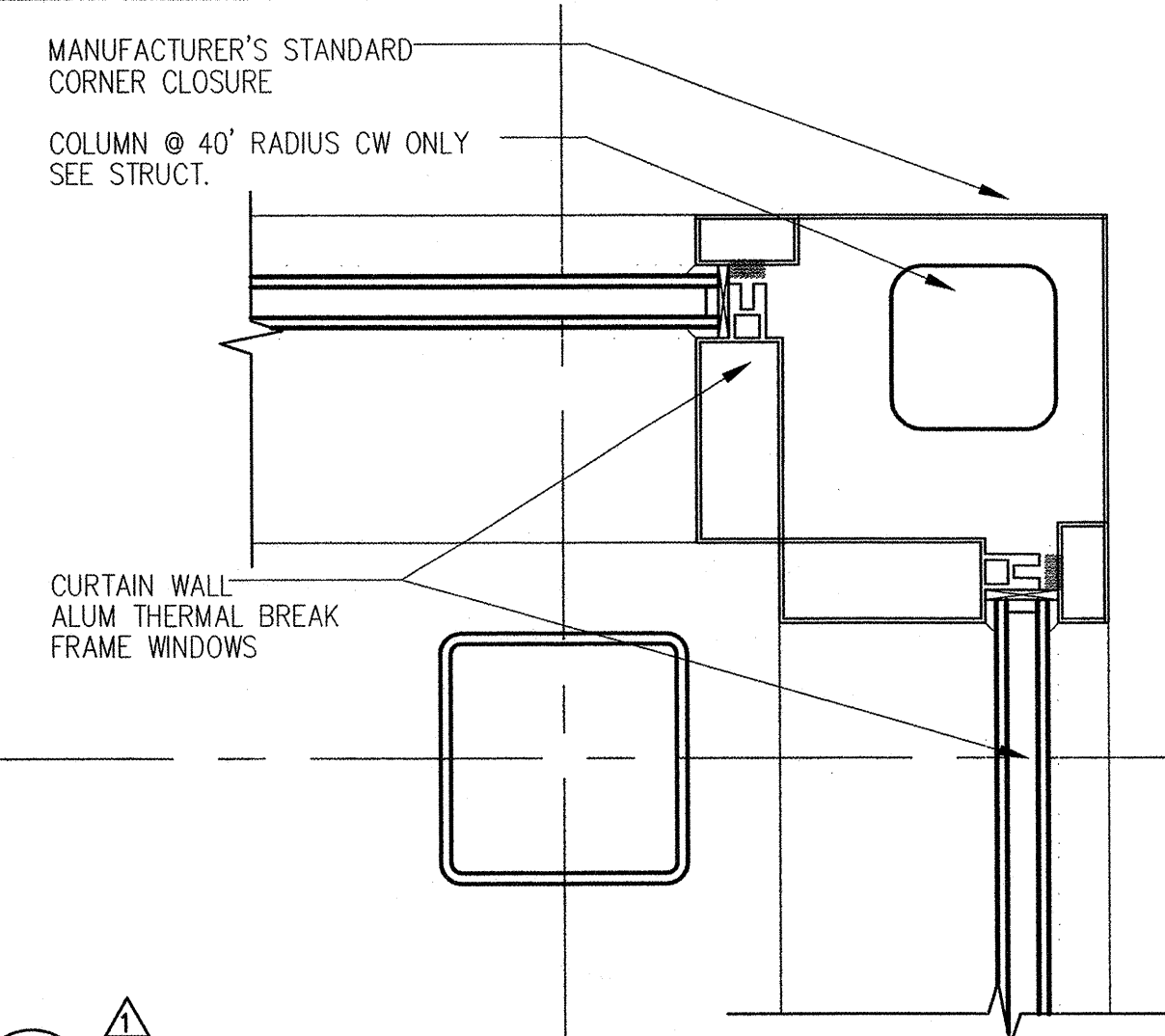
5 JAMB AT TILE WALL

3" = 1'-0"



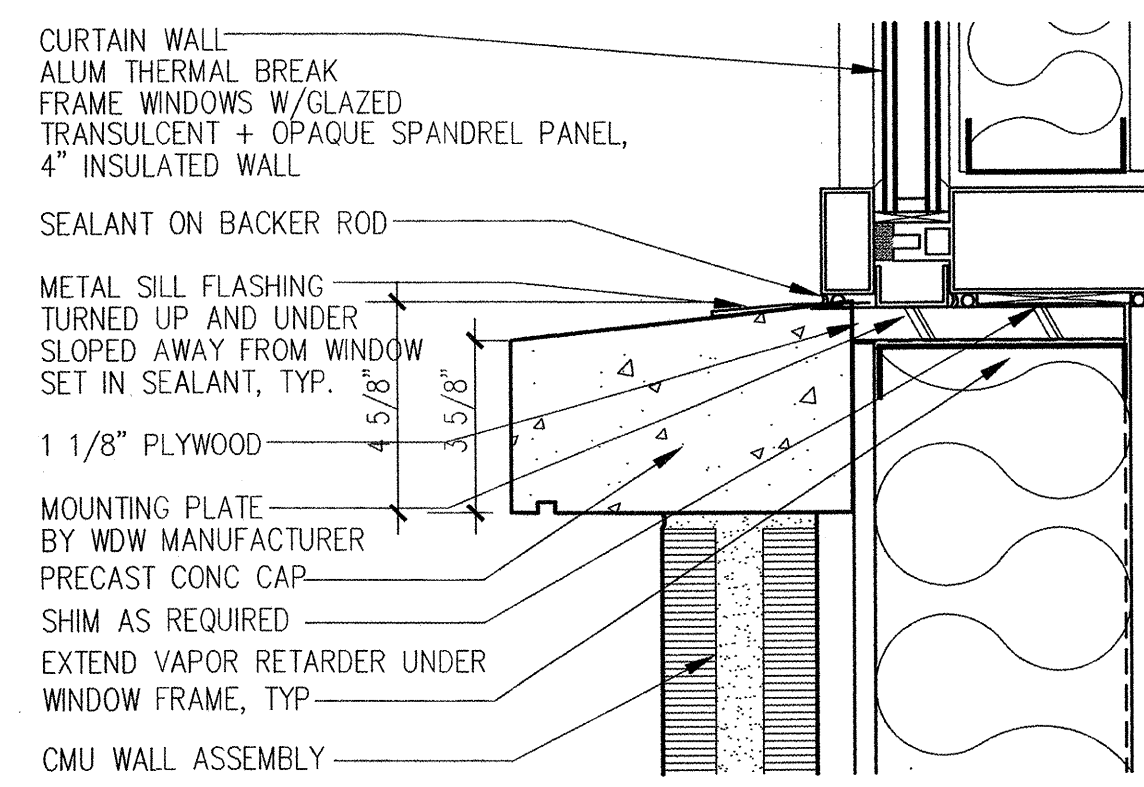
2 JAMB AT CMU WALL

3" = 1'-0"



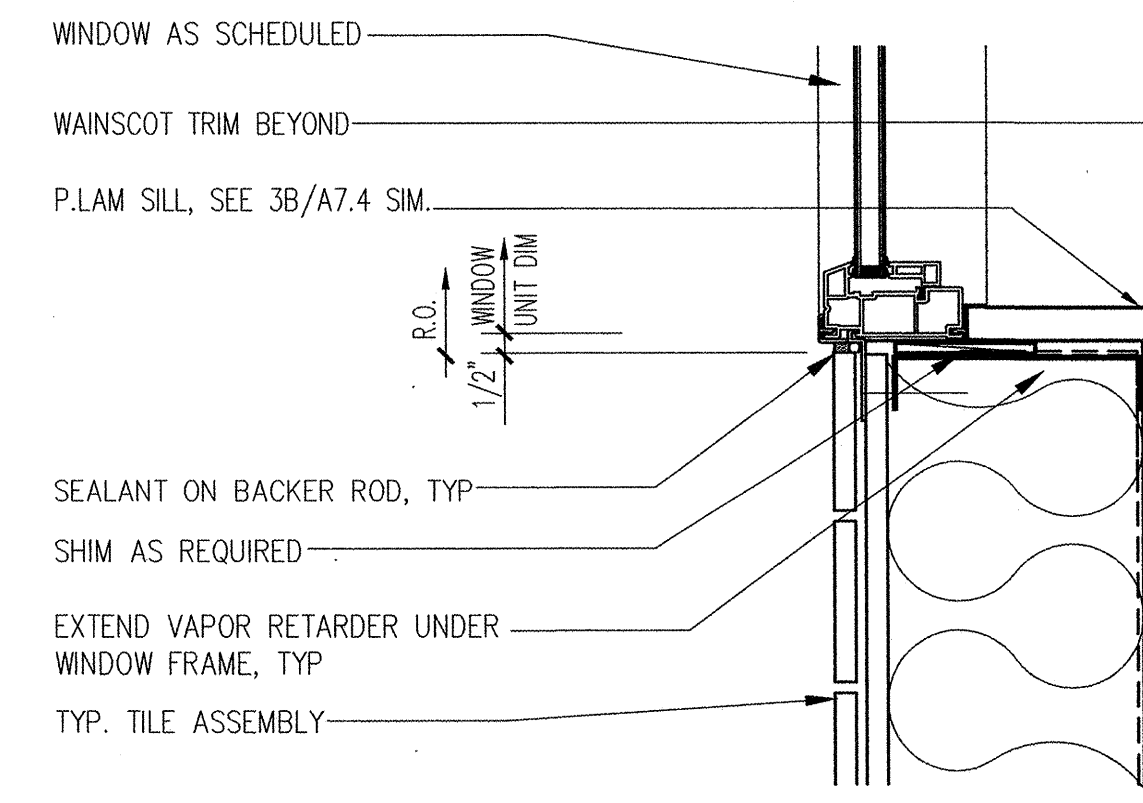
10 CURTAIN WALL CORNER

3" = 1'-0"



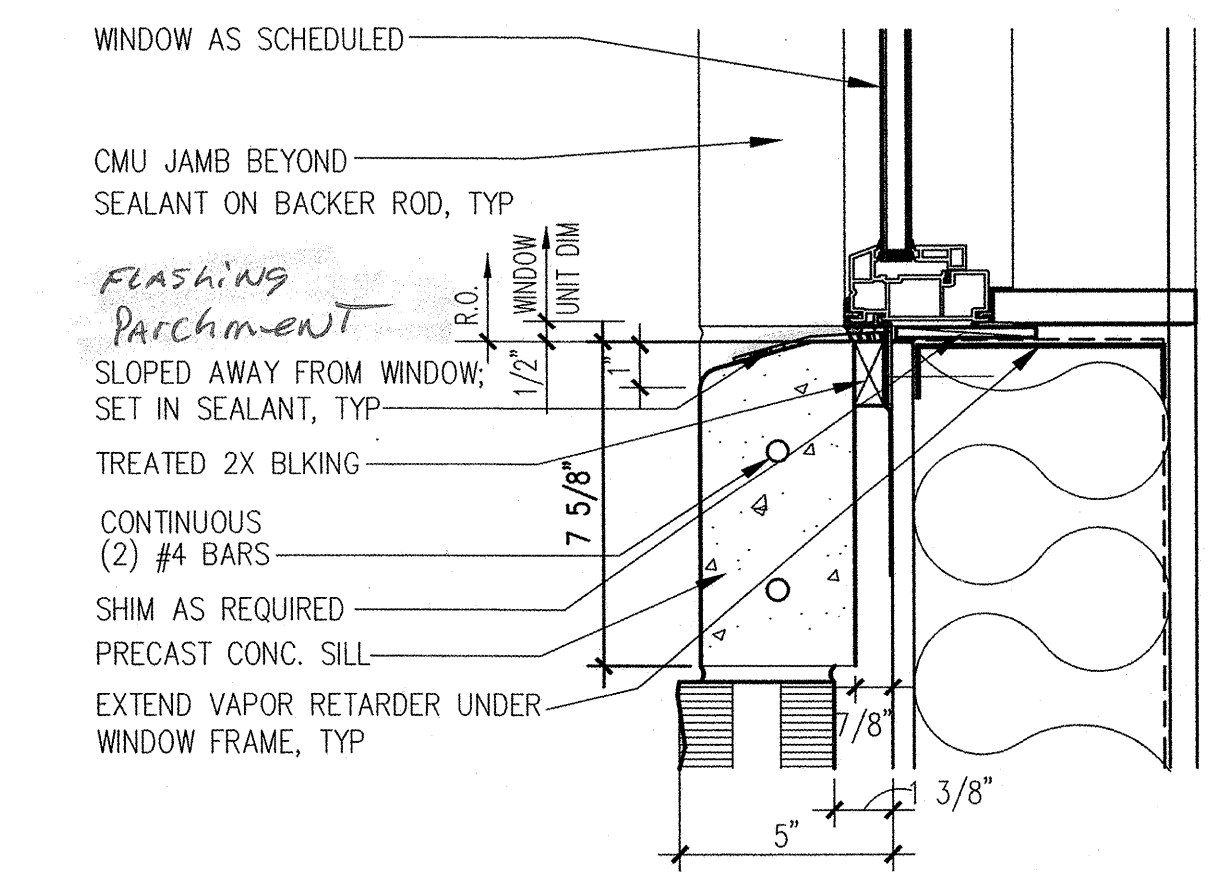
7 SILL AT CURTAIN WALL

3" = 1'-0"



4 SILL AT TILE WALL

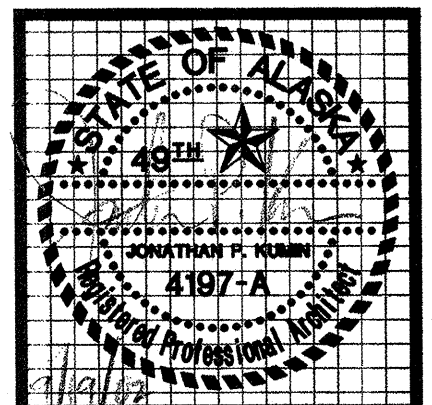
3" = 1'-0"



1 SILL AT CMU WALL

3" = 1'-0"

NOTE: SEET SHEET S5.3 FOR SILL, HEAD & JAMB STRUCTURE. FILL ALL VOIDS W/BATT INSULATION.



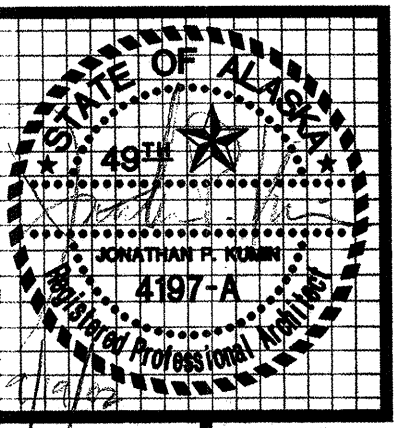
kumin associates, inc.
architects • planners • interior designers

Sjoquist Architects, Inc.
2001 University Ave SE #200
Minneapolis, Minnesota 55414
612.379.9233 Fax: 612.379.9263
http://www.sjoquist.com

SOUTHCENTRAL FOUNDATION
NEW CLINIC FOR
DENTAL, OPTOMETRY and BEHAVIORAL HEALTH
TUDOR RD. and TUDOR CENTER DRIVE, ANCHORAGE, ALASKA

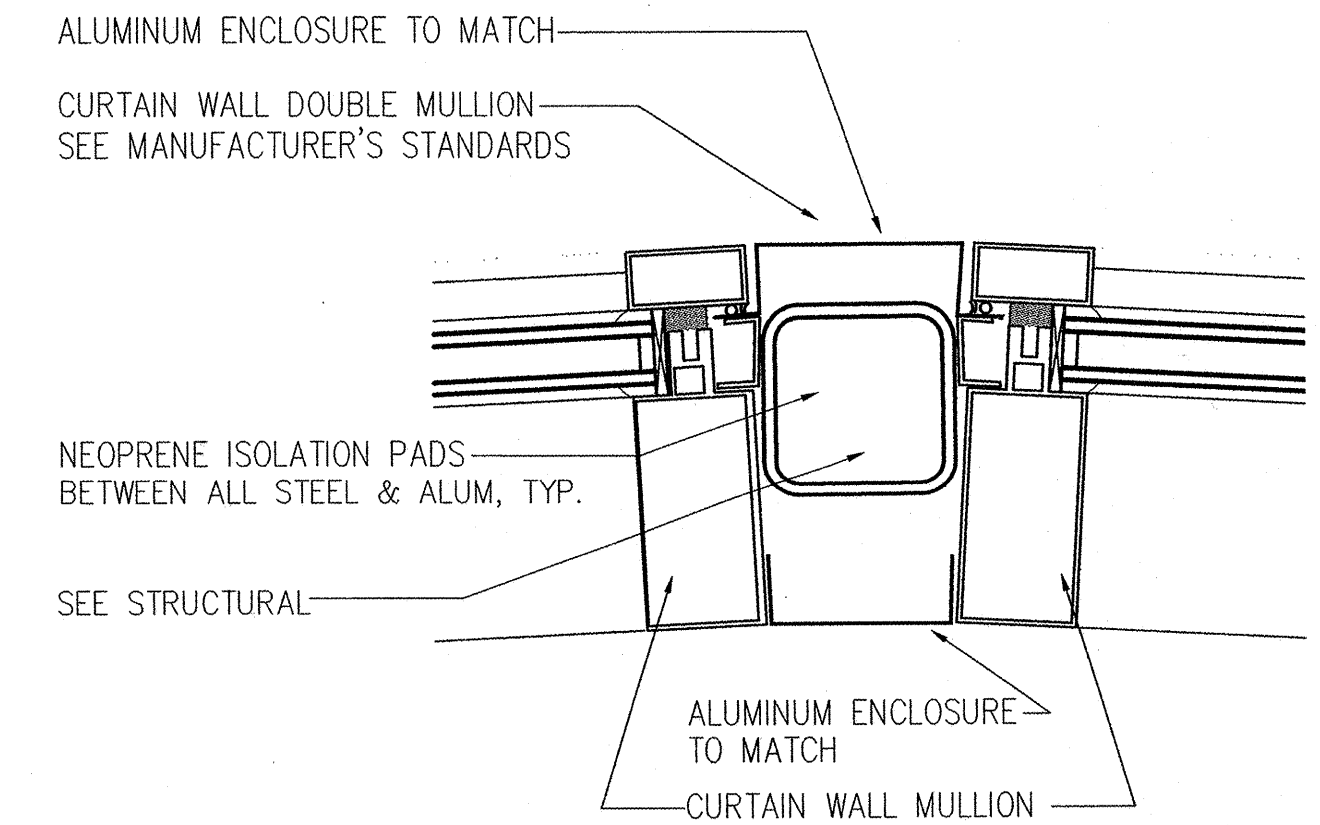
drawn	
checked	DB, JS
date	9-17-02
revisions	
1	7-8-02 S&C
2	9-17-02 100%
job no.	20152
dwg. title	EXTERIOR DETAILS
sheet no.	A62

100% SUBMITTAL

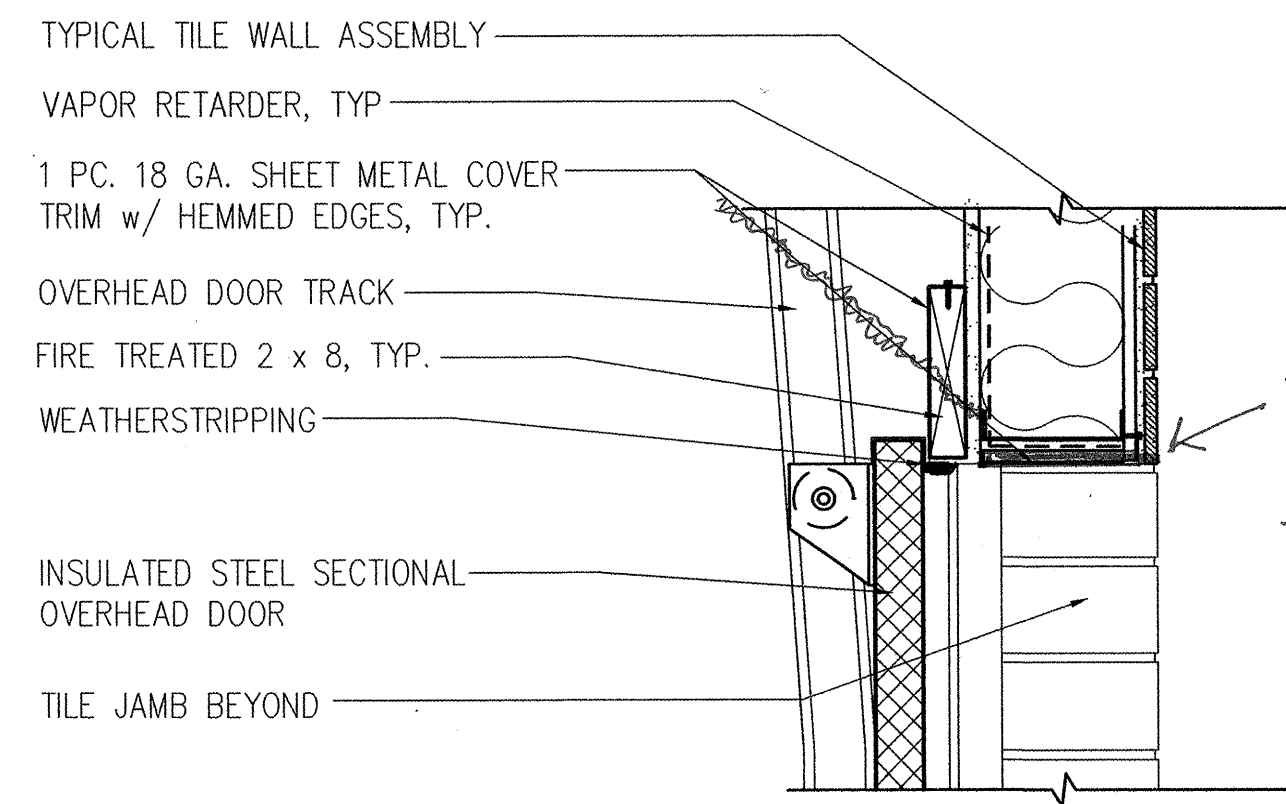


kumin associates, inc.
 architects • planners • interior designers

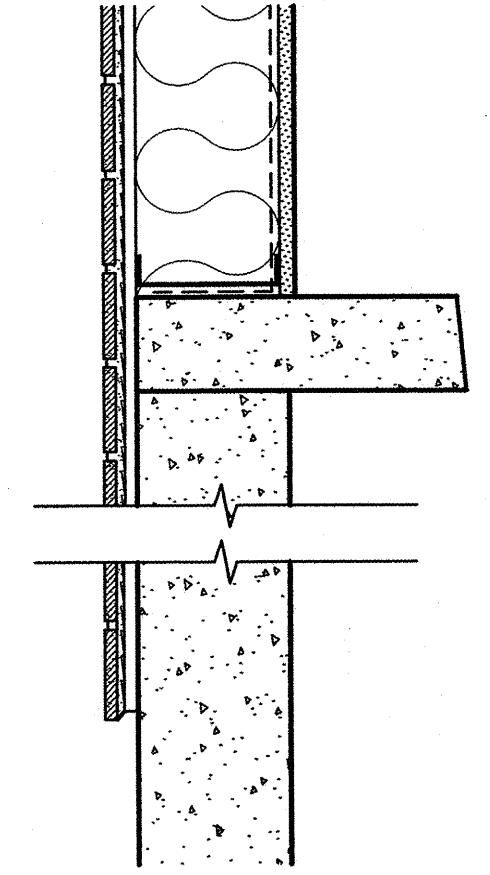
Sjoquist Architects, Inc.
 2001 University Ave. Ste. #200
 Minneapolis, Minnesota 55414
 612.379.9233 Fax: 612.379.9263
<http://www.sjoquist.com>



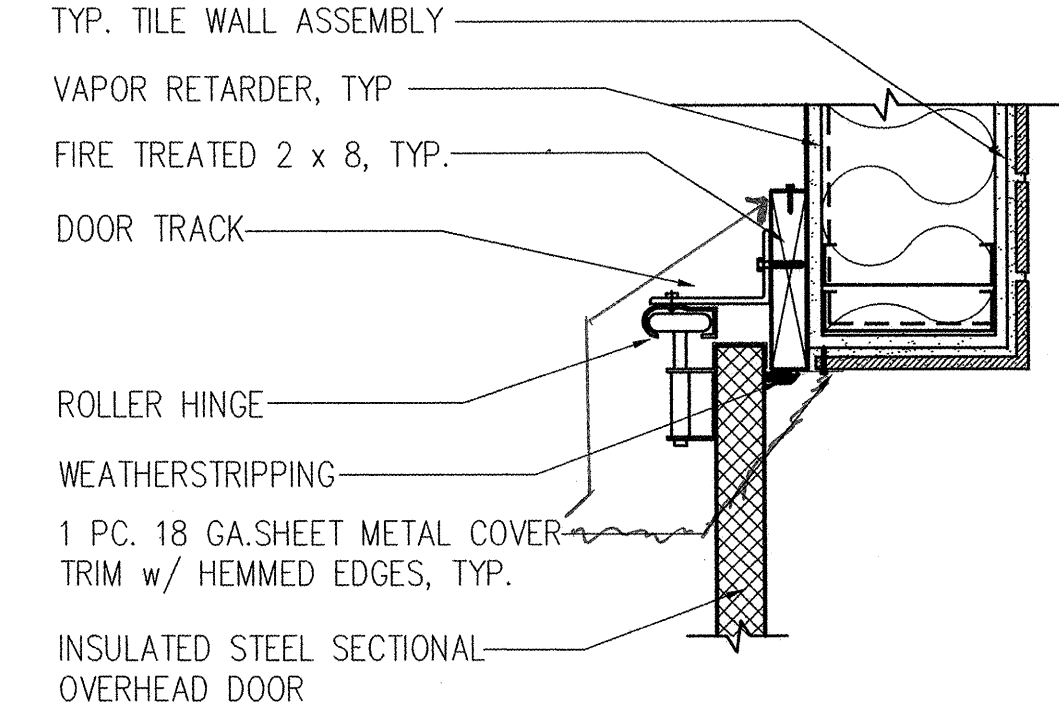
3 CW MULLION, 40' RADIUS
 3" = 1'-0"



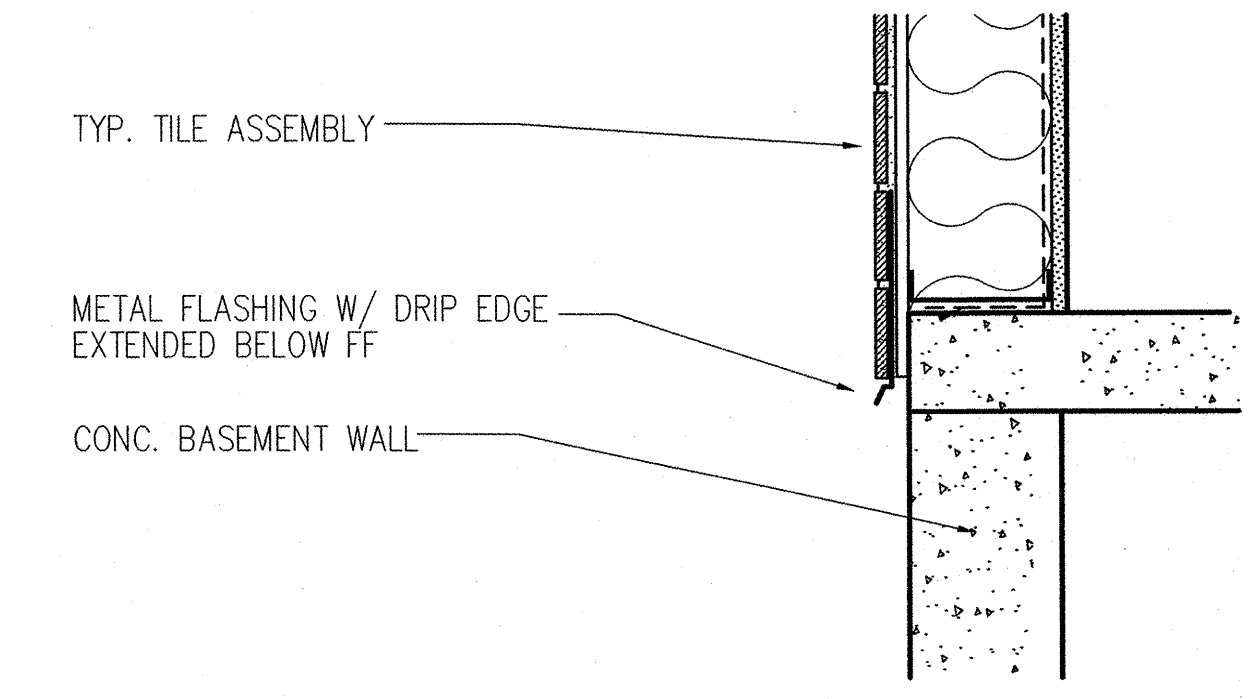
5 HEAD @ GARAGE DOOR
 3" = 1'-0"



2 BRICK TILE @ RETAINING WALL
 1-1/2" = 1'-0" SEE 3/A4.2



4 JAMB @ GARAGE DOOR
 3" = 1'-0"

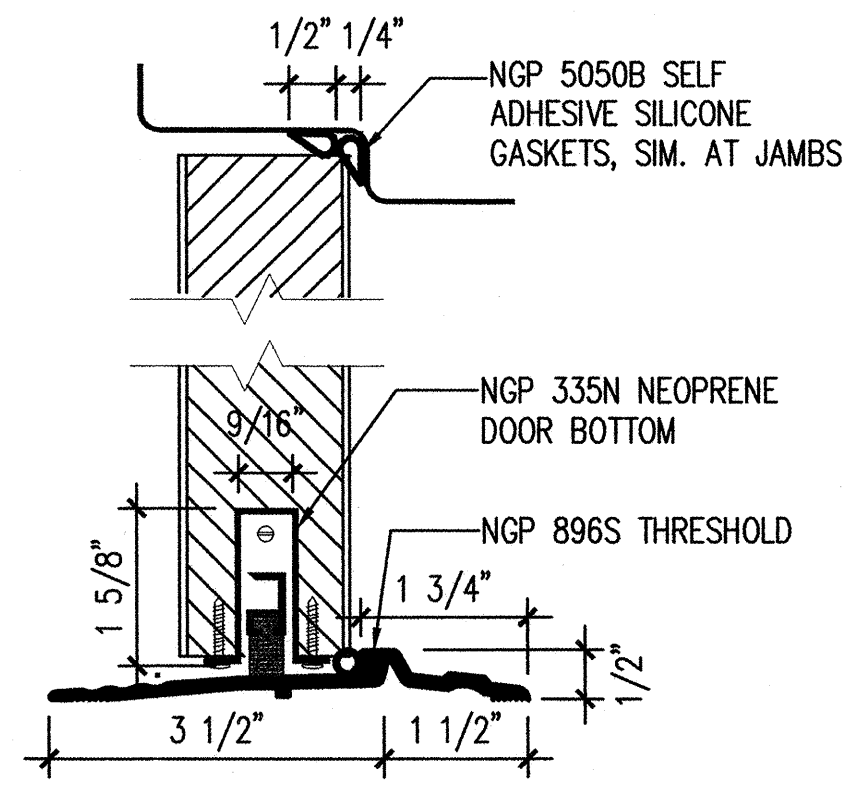


1 BASE OF WALL @ BRICK TILE
 1-1/2" = 1'-0" SEE 1/A4.3

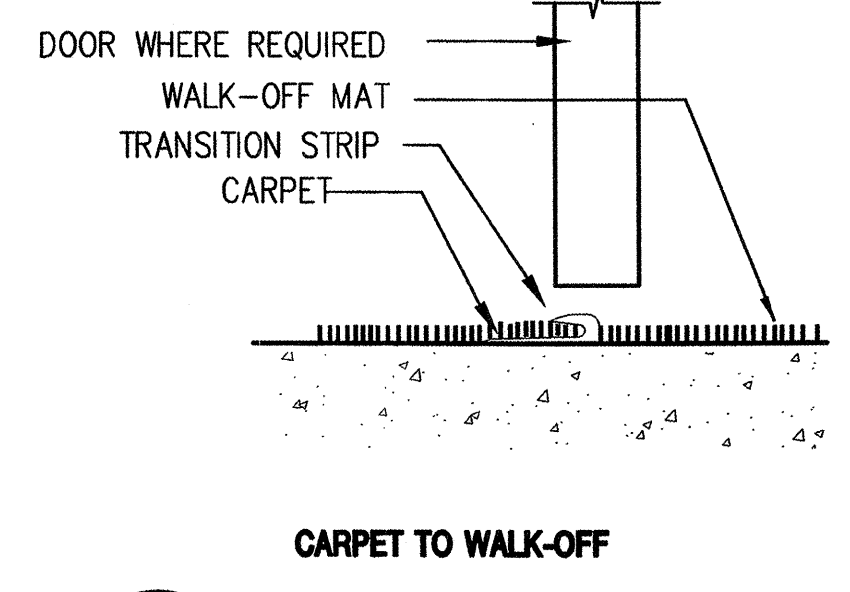
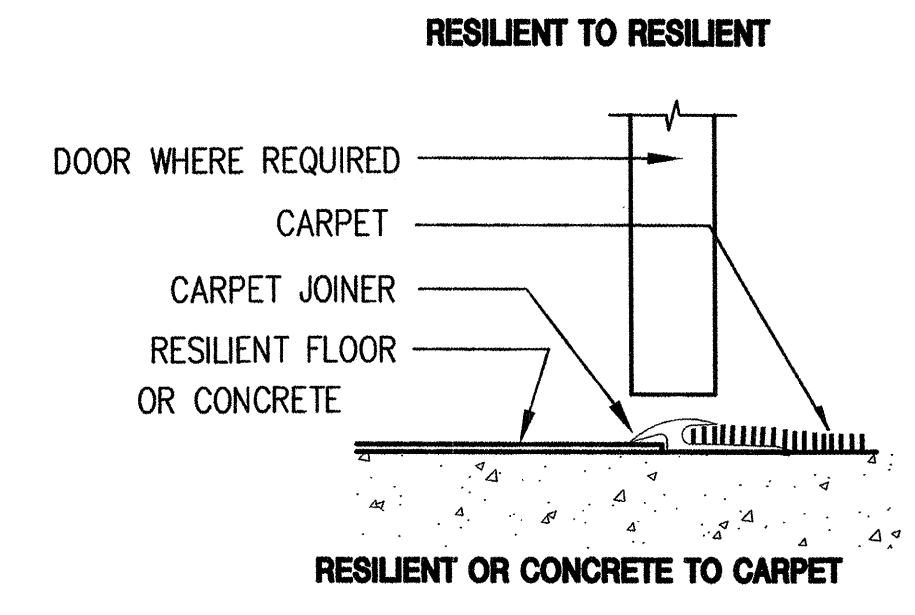
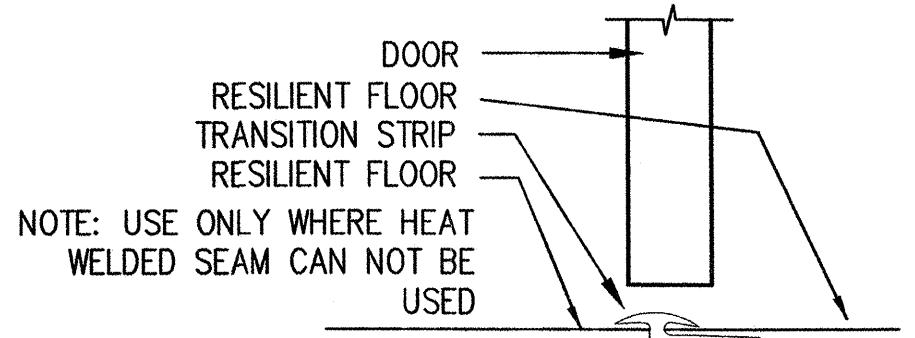
SOUTHCENTRAL FOUNDATION
 NEW CLINIC FOR
 DENTAL, OPTOMETRY and BEHAVIORAL HEALTH
 TUDOR RD. and TUDOR CENTER DRIVE, ANCHORAGE, ALASKA

drawn	
checked	DB, JS
date	9-17-02
revisions	
1	9-17-02 100%
job no.	20152
dwg. title	EXTERIOR DETAILS
sheet no.	A6.3

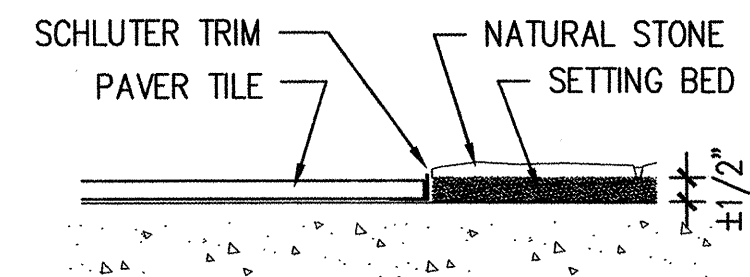
100% SUBMITTAL



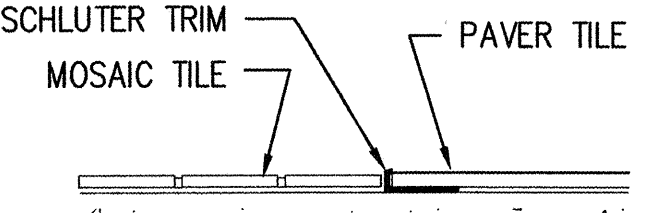
10 SOUND SEAL SYSTEM
6" = 1'-0"



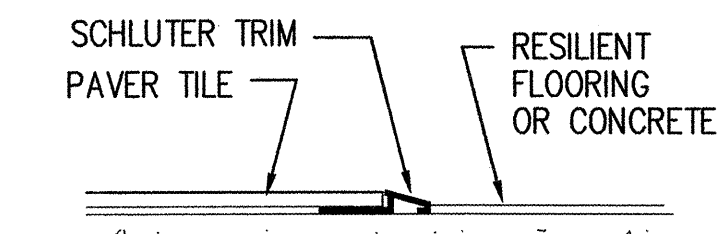
8 FLOORING TRANSITIONS
3" = 1'-0"



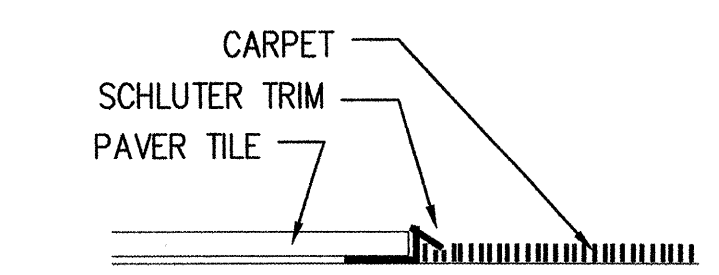
PAVER TILE TO STONE



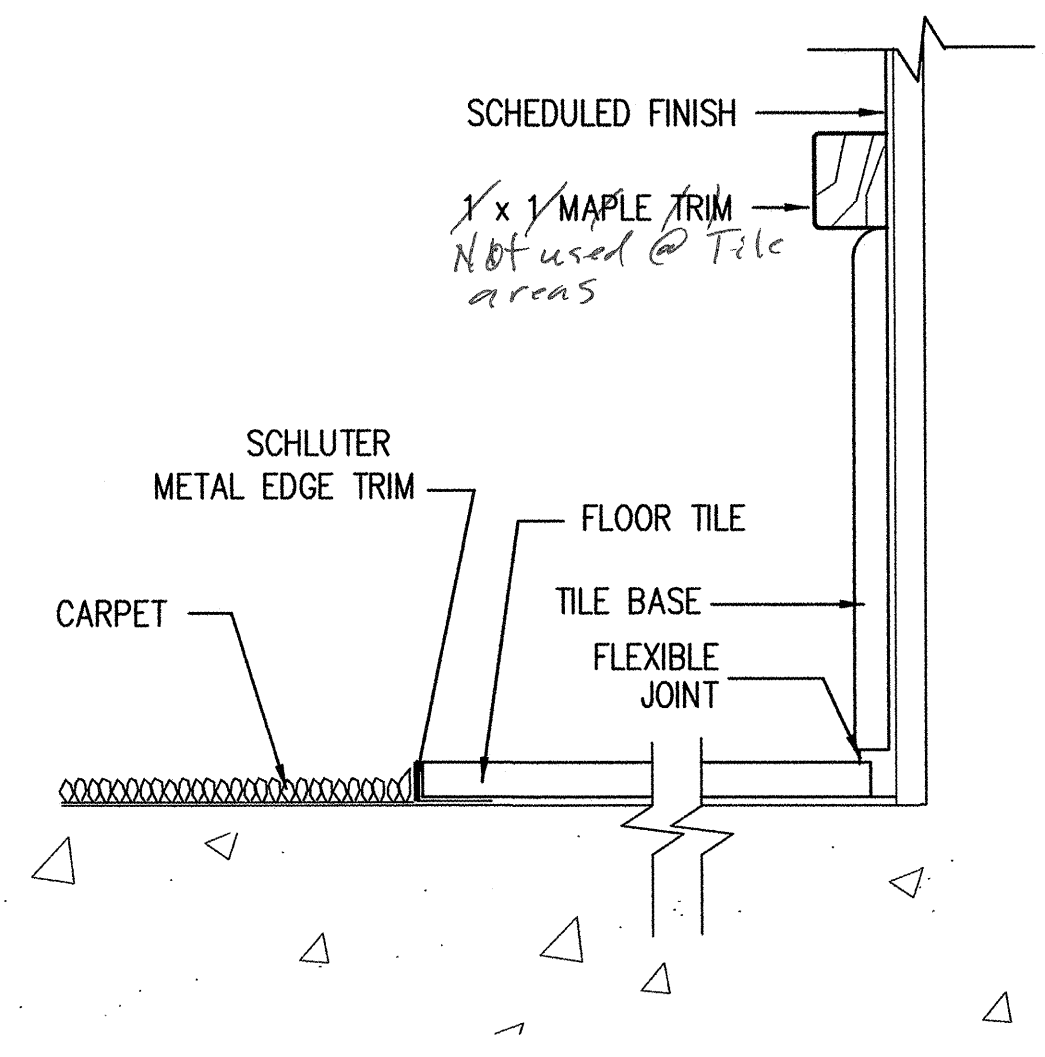
MOSAIC TILE TO PAVER TILE



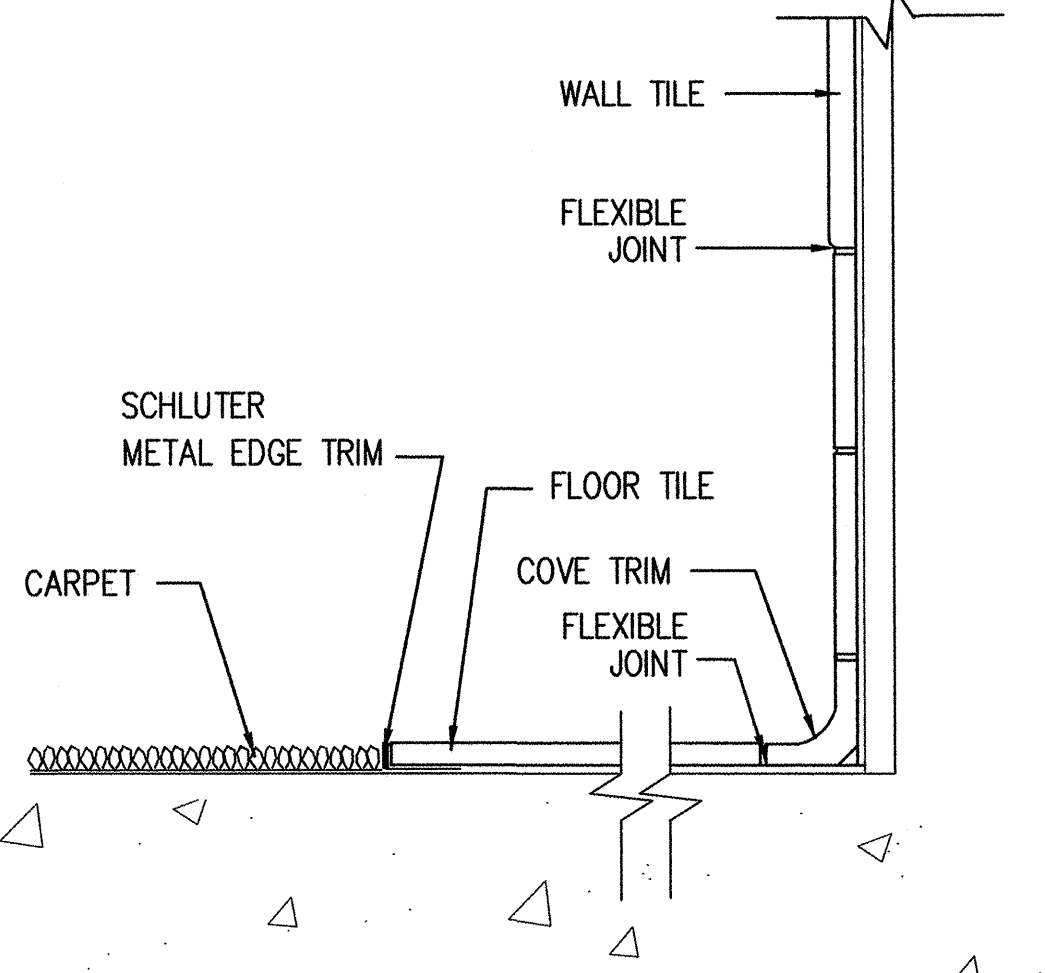
PAVER TILE TO RESILIENT OR CONCRETE



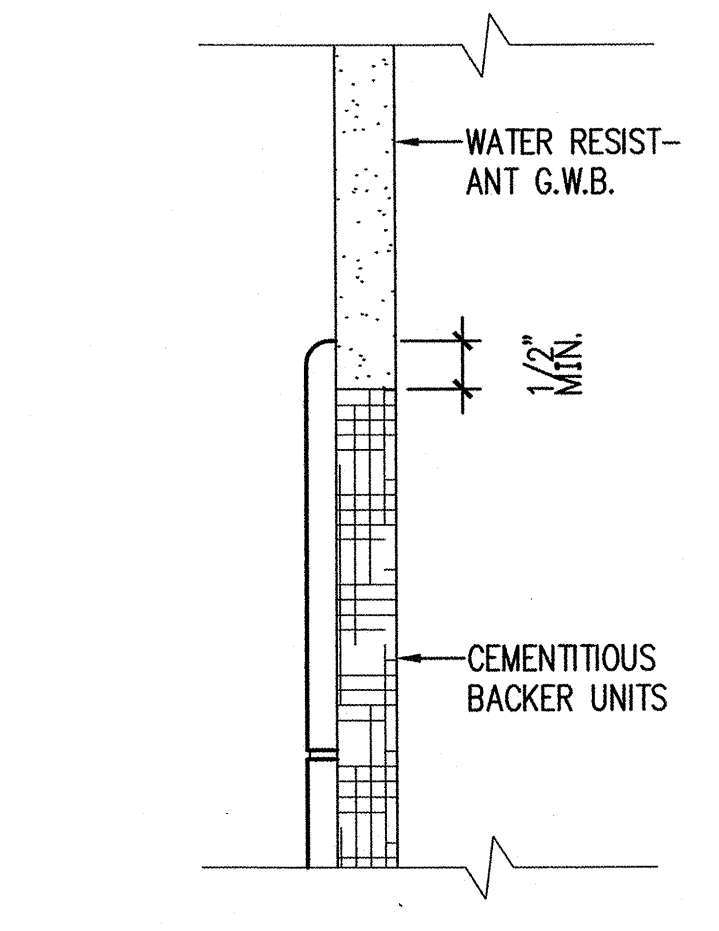
PAVER TILE TO WALK-OFF OR CARPET



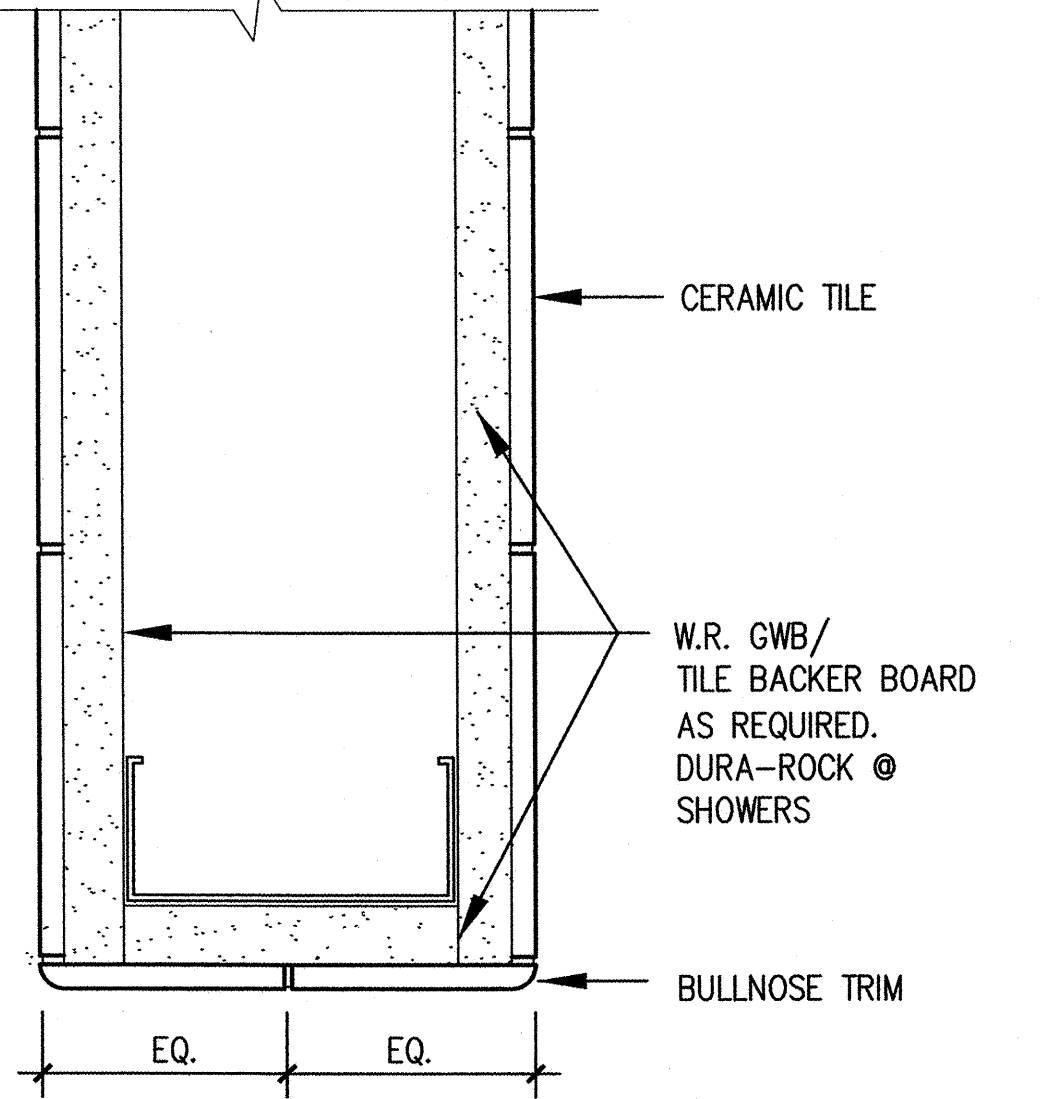
4 PORCELAIN TILE BASE
6" = 1'-0"



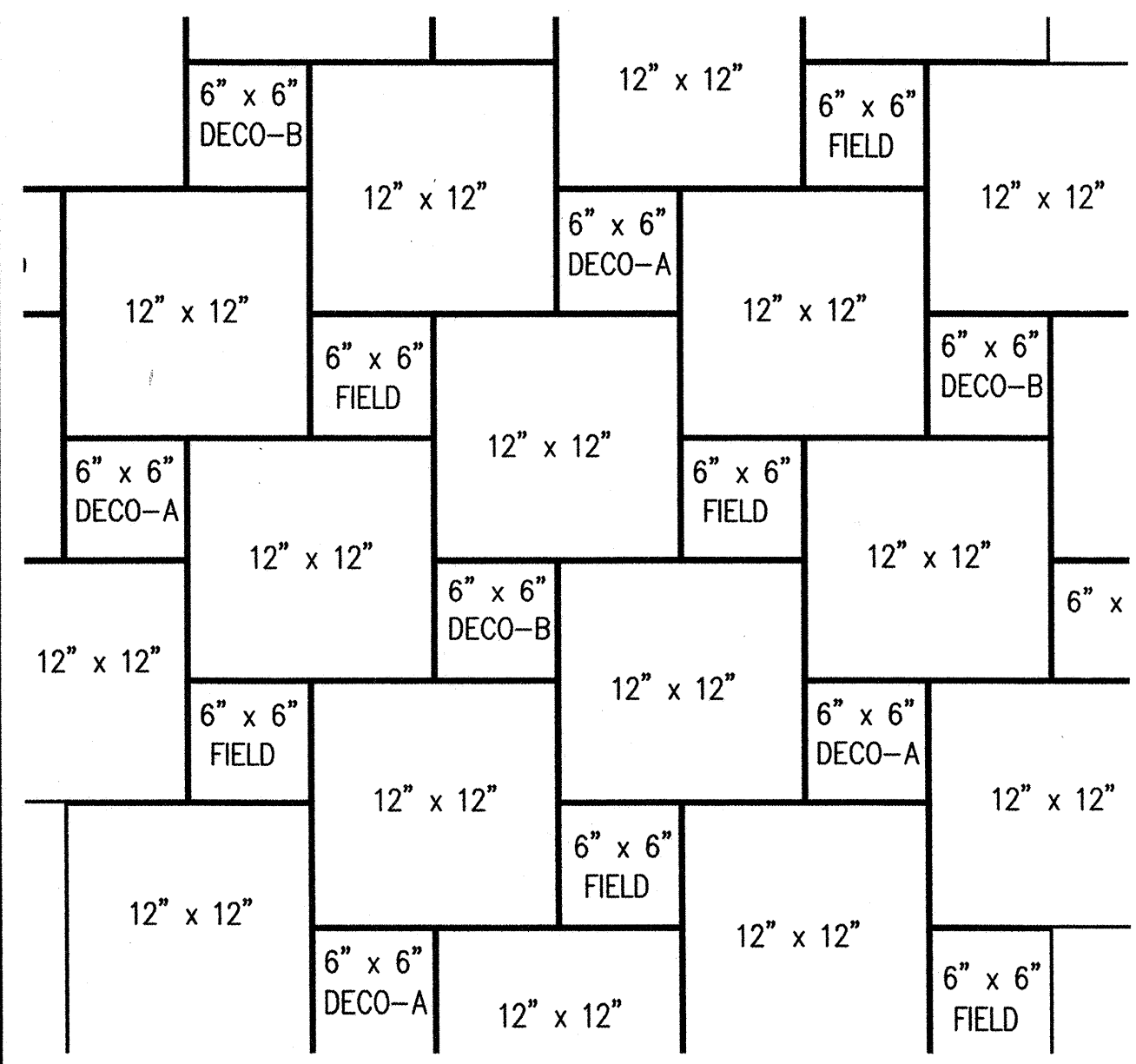
5 MOSAIC TILE BASE
6" = 1'-0"



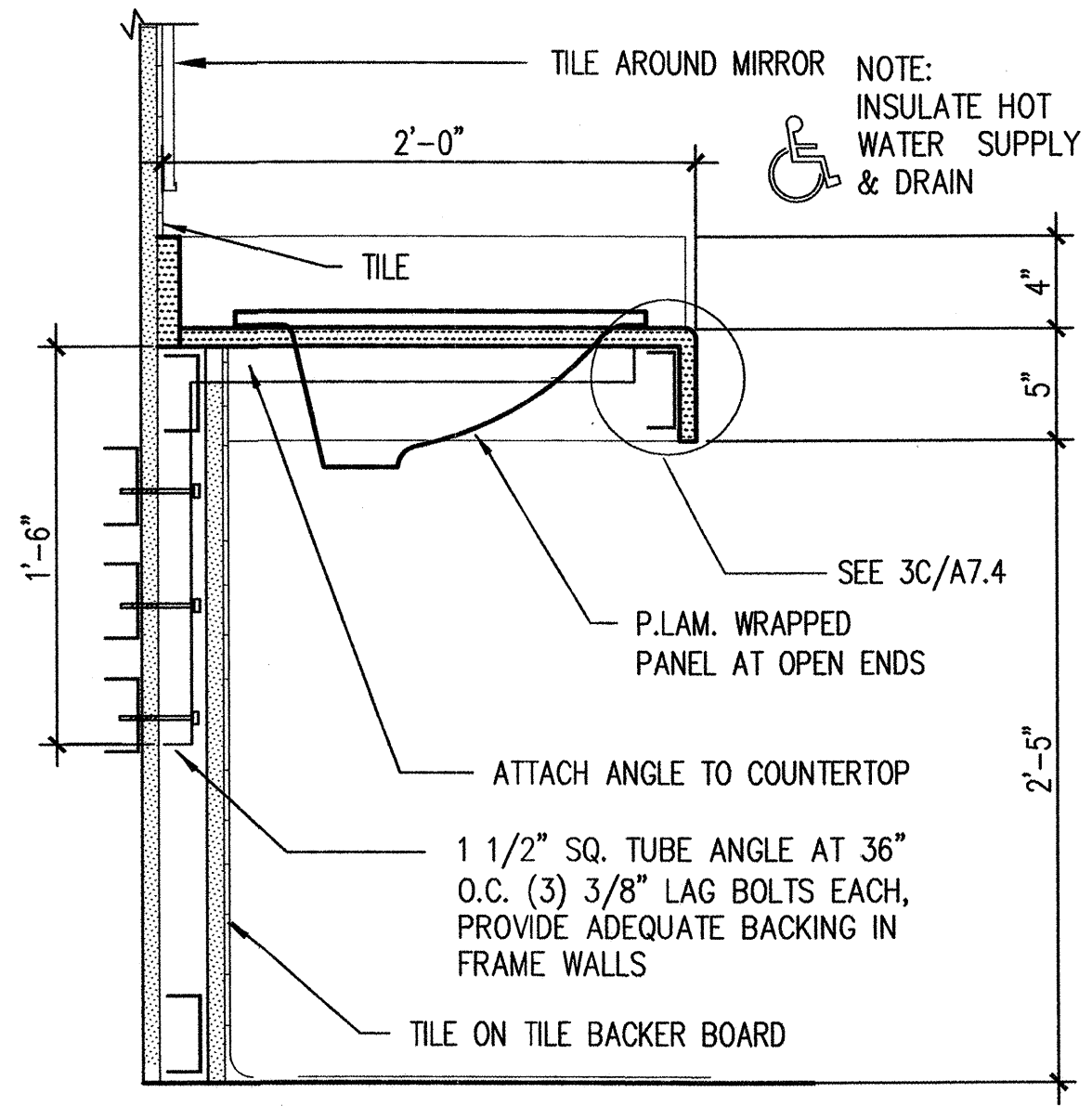
1 TILE EDGE DETAIL
6" = 1'-0"



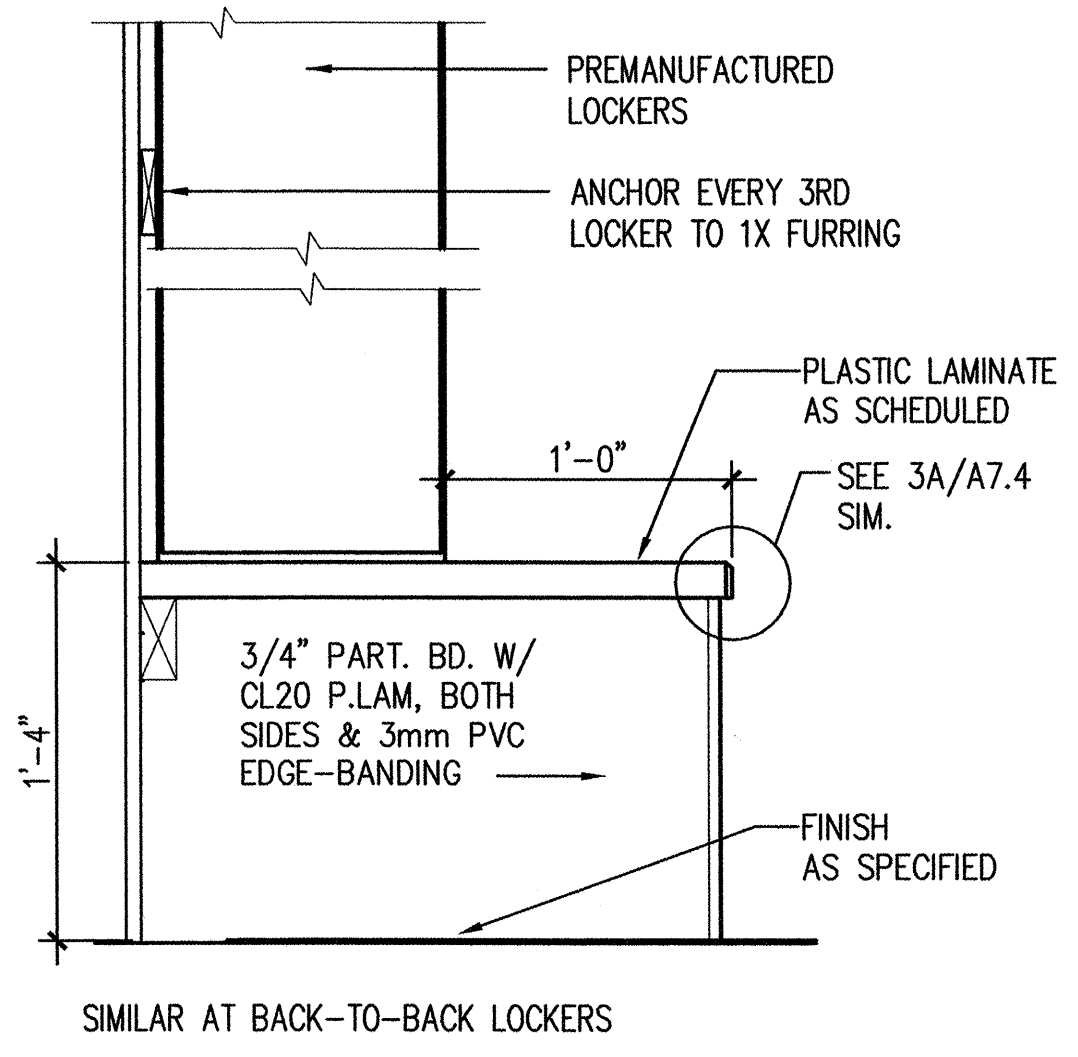
2 TILE END WALL
6" = 1'-0"



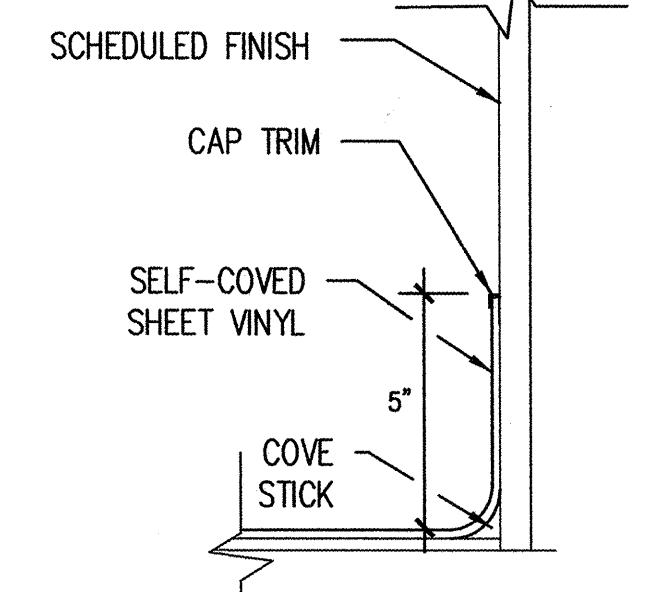
12 PORCELAIN FLOOR TILE PATTERN
1-1/2" = 1'-0"



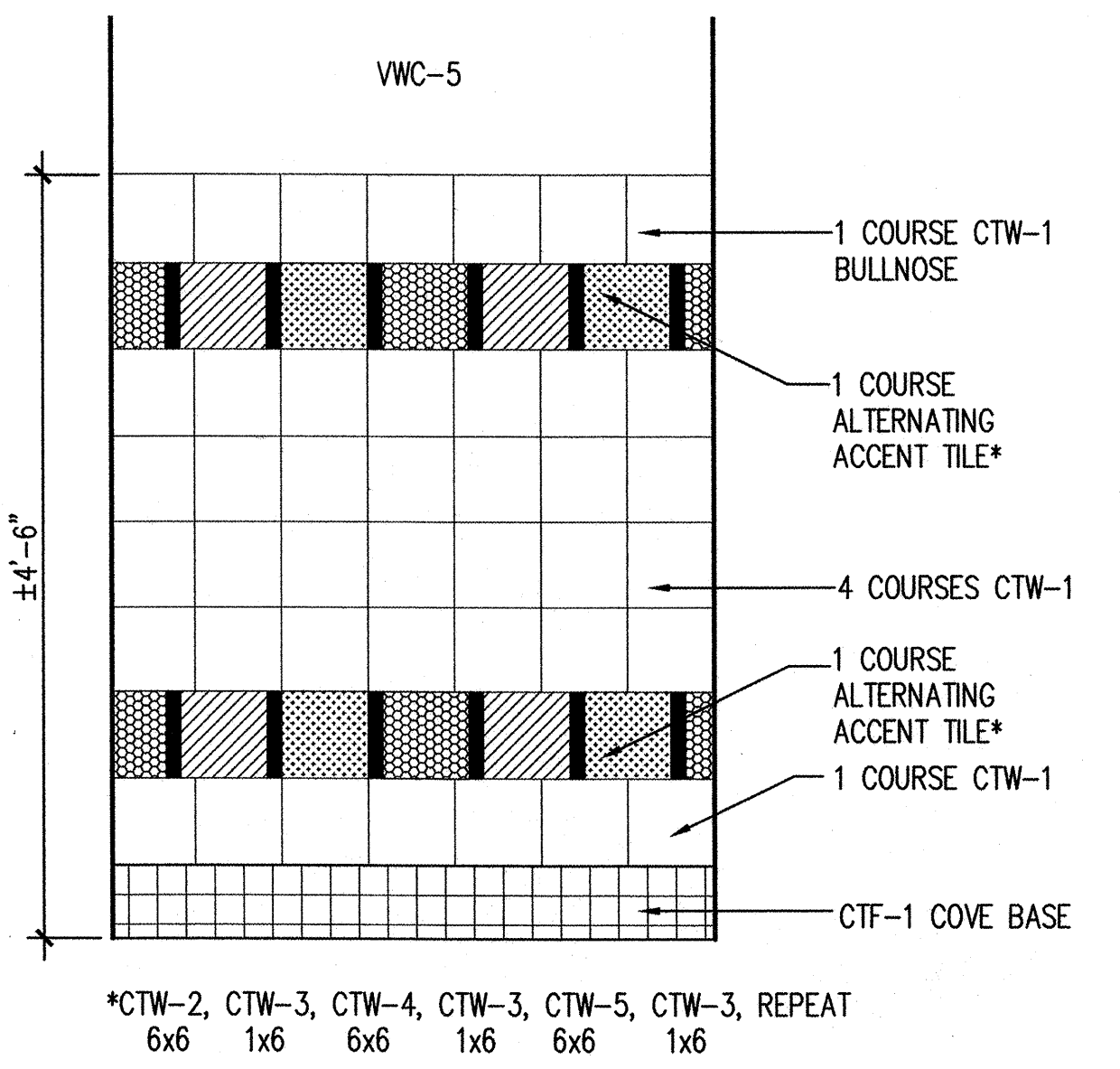
9 LAVATORY
1 1/2" = 1'-0"



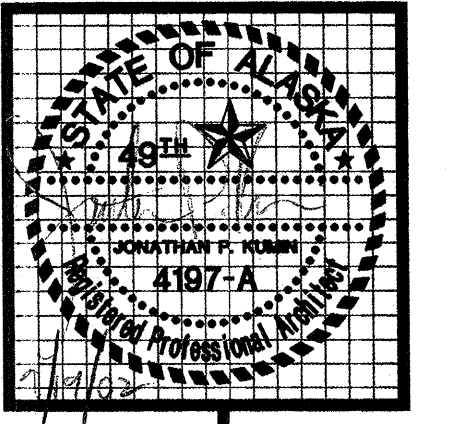
7 LOCKER/BENCH
1 1/2" = 1'-0"



6 SHEET VINYL BASE
3" = 1'-0"



3 TILE PATTERN
1" = 1'-0"



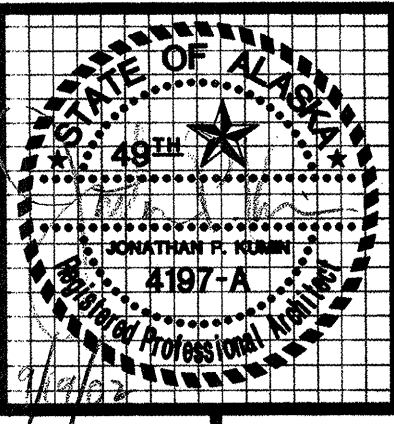
kumin associates, inc.
architects • planners • interior designers

Sjoquist Architects, Inc.
2001 University Ave. SF #200
Minneapolis, Minnesota 55414
http://www.sjoquist.com

SOUTHCENTRAL FOUNDATION
NEW CLINIC FOR
DENTAL, OPTOMETRY and BEHAVIORAL HEALTH
TUDOR RD. and TUDOR CENTER DRIVE, ANCHORAGE, ALASKA

drawn	SZ
checked	DB, JS
date	9-17-02
revisions	
1	8-26-02 95%
2	9-17-02 100%
job no.	20152
dwg. title	INTERIOR DETAILS
sheet no.	A7.1

100% SUBMITTAL



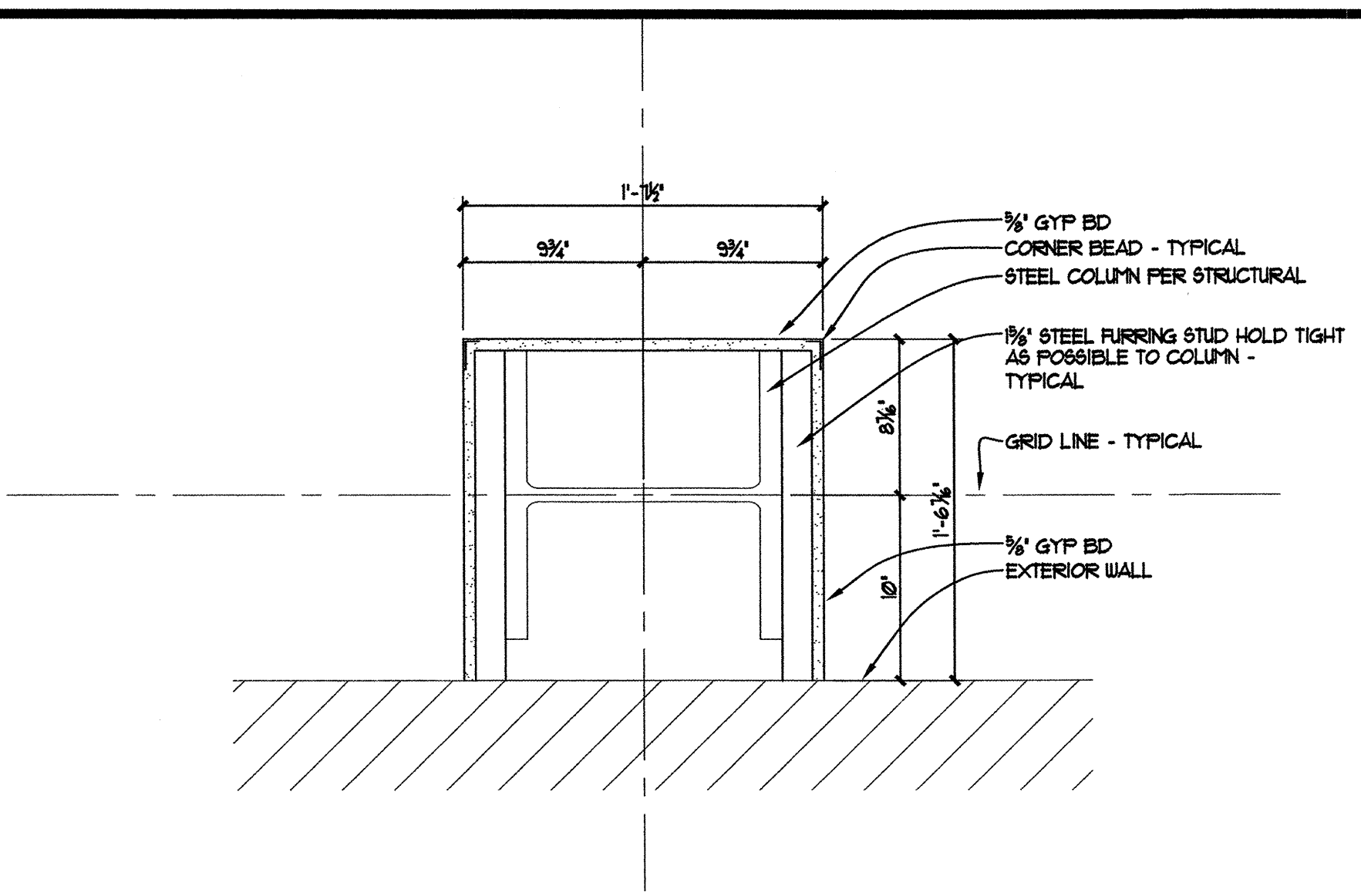
kumin associates, inc.
 architects • interior designers
 planners •

Sjoquist Architects, Inc.
 2001 University Ave. SF #200
 Minneapolis, Minnesota 55414
 612.379.9333 Fax 612.379.9263
<http://www.sjoquist.com>

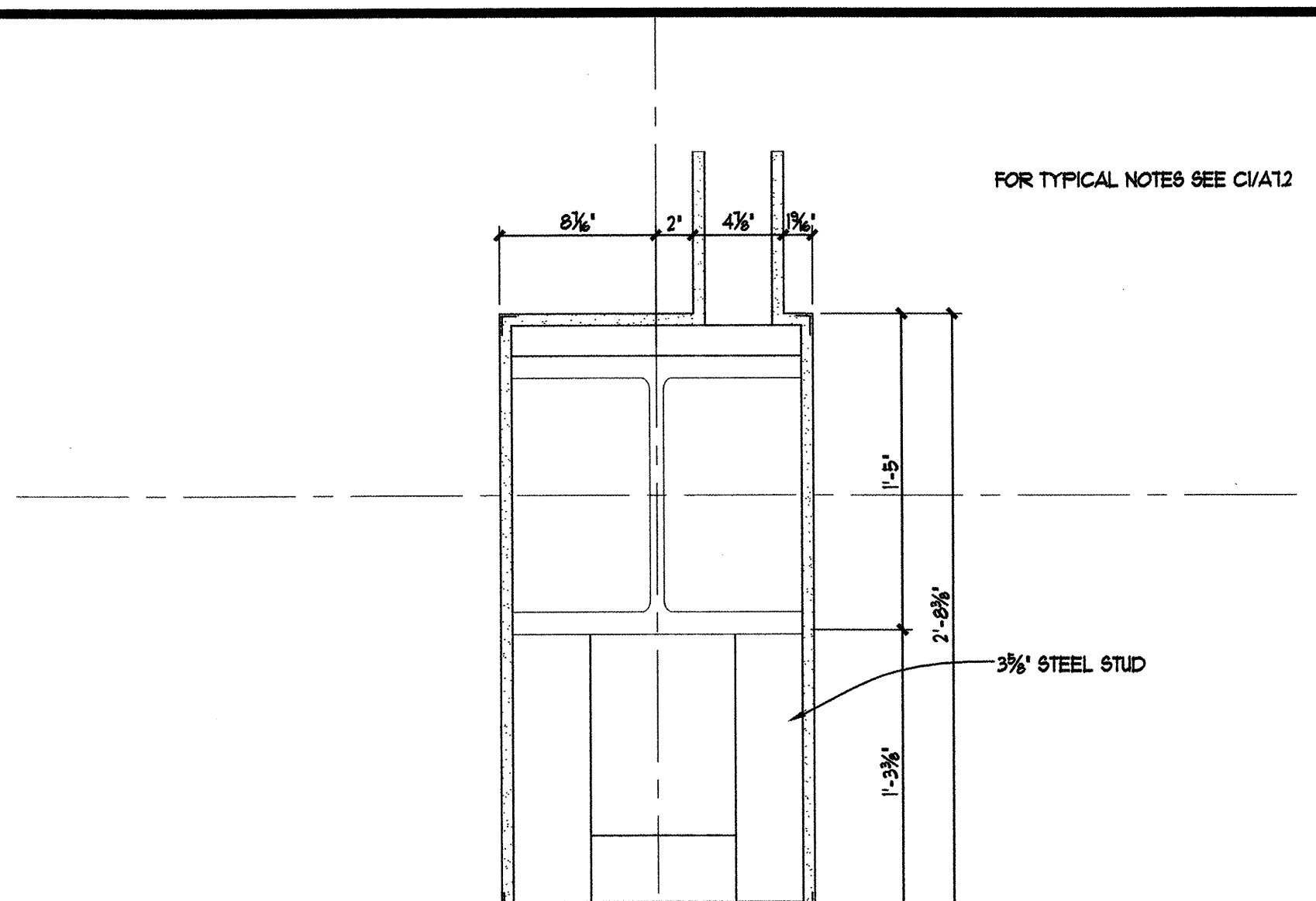
SOUTHCENTRAL FOUNDATION
 NEW CLINIC FOR
 DENTAL, OPTOMETRY and BEHAVIORAL HEALTH
 TUDOR RD. and TUDOR CENTER DRIVE, ANCHORAGE, ALASKA

drawn	SAL
checked	DB, JS
date	9-17-07
revisions	
	1 8-26-02 JSZ
job no.	20152
dwg. title	INTERIOR DETAILS
sheet no.	
A7.2	

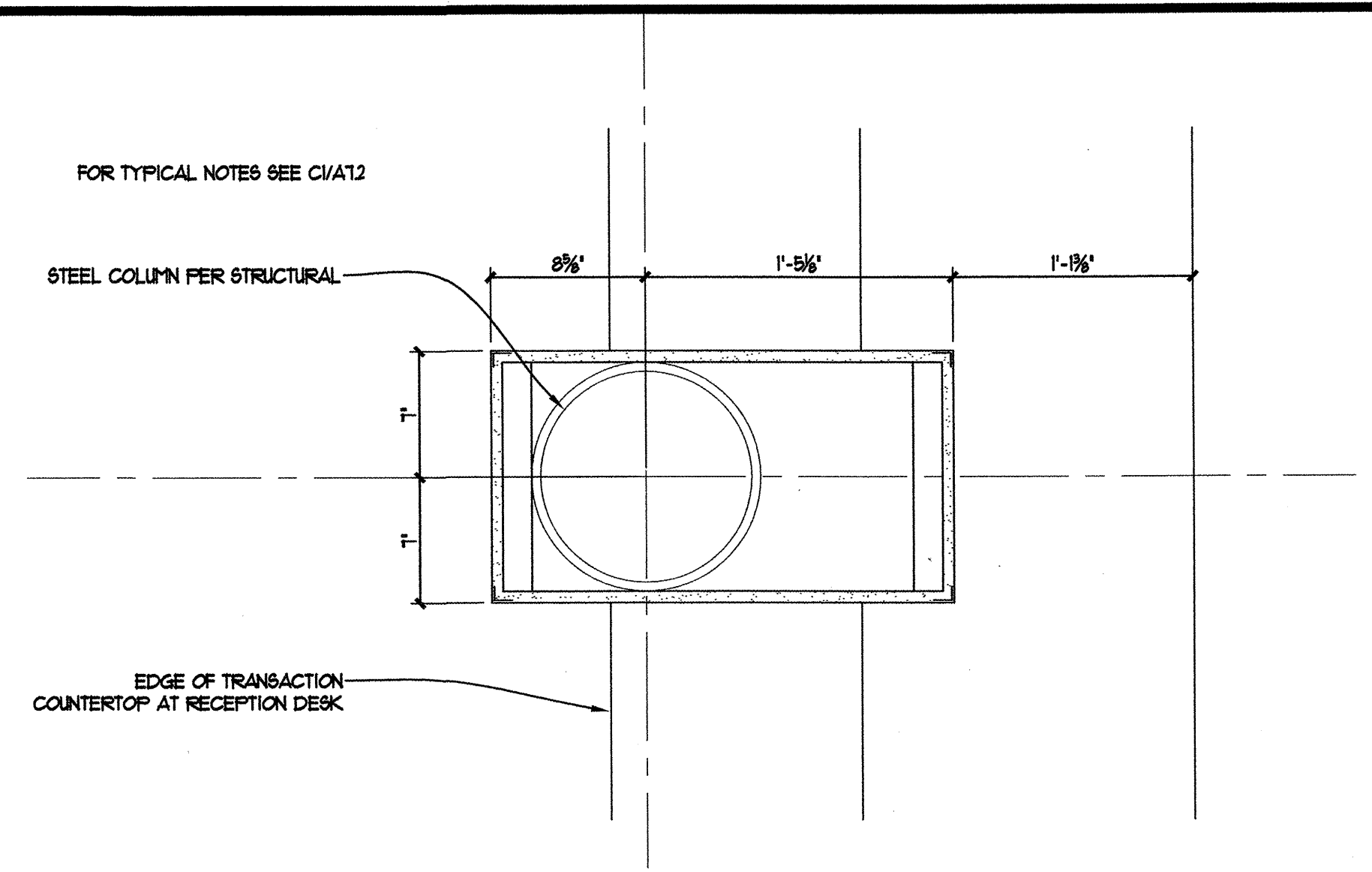
100% SUBMITTAL



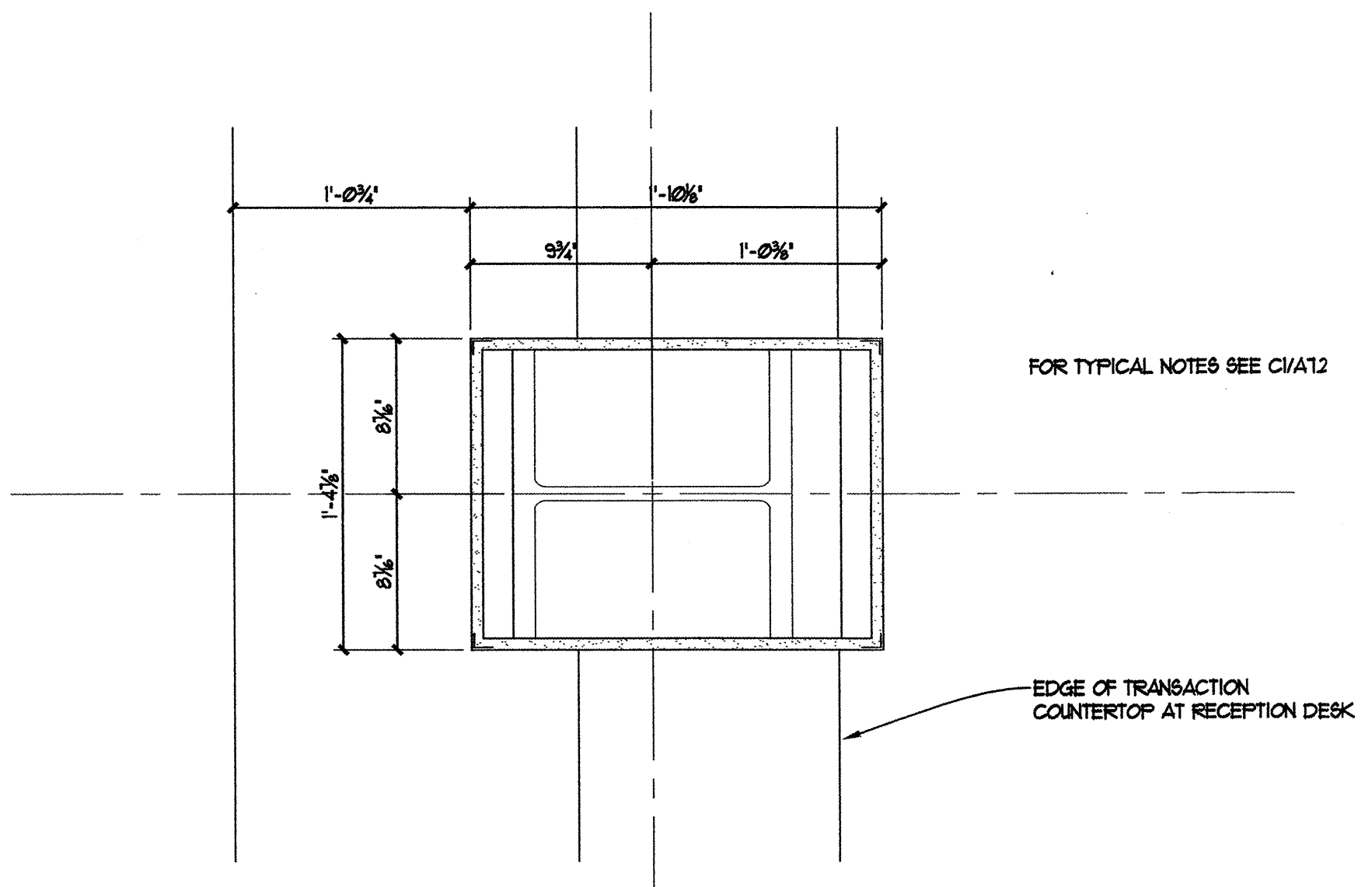
C1 COLUMN DETAIL
 A12 1/2" = 1'-0"



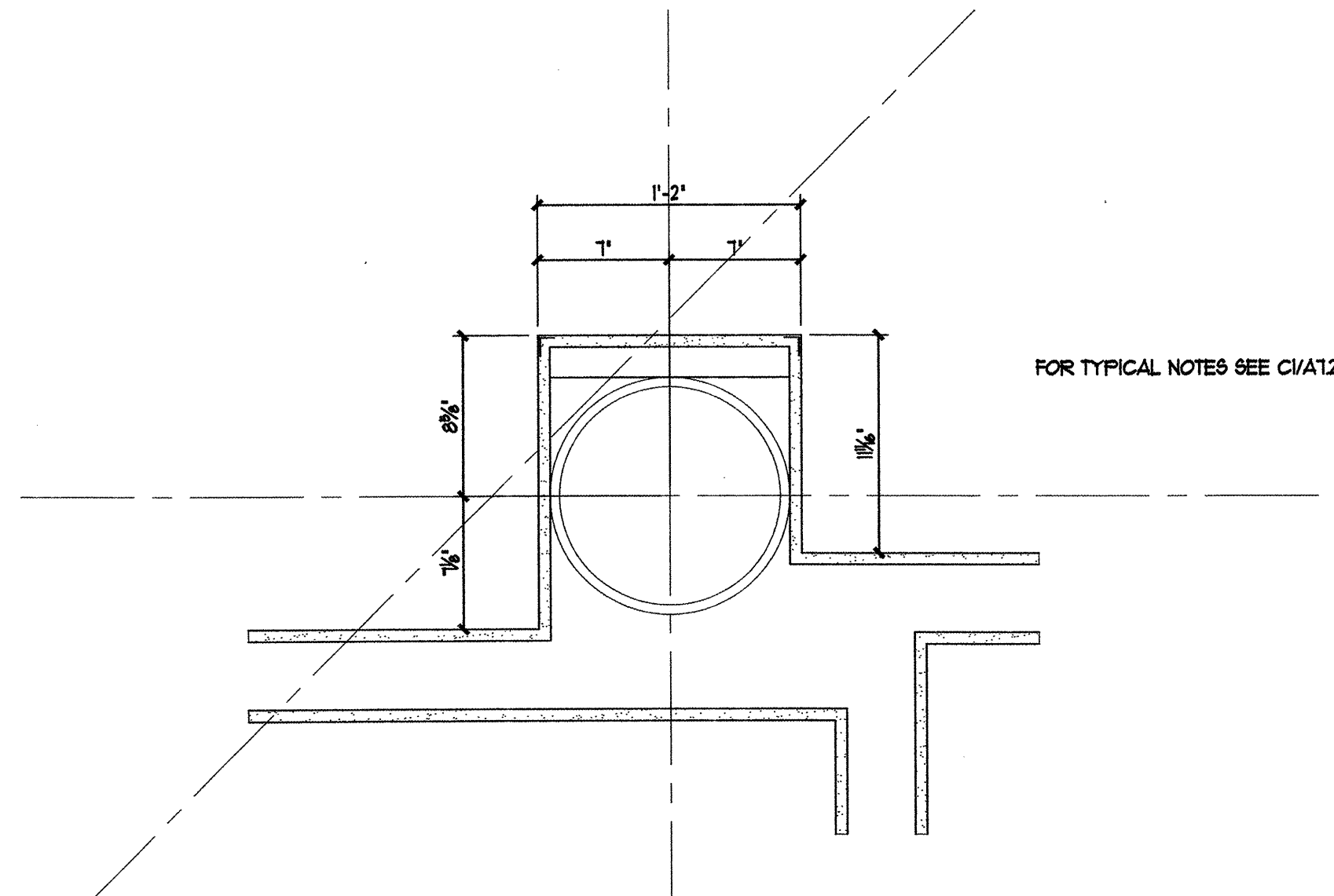
C2 COLUMN DETAIL
 A12 1/2" = 1'-0"



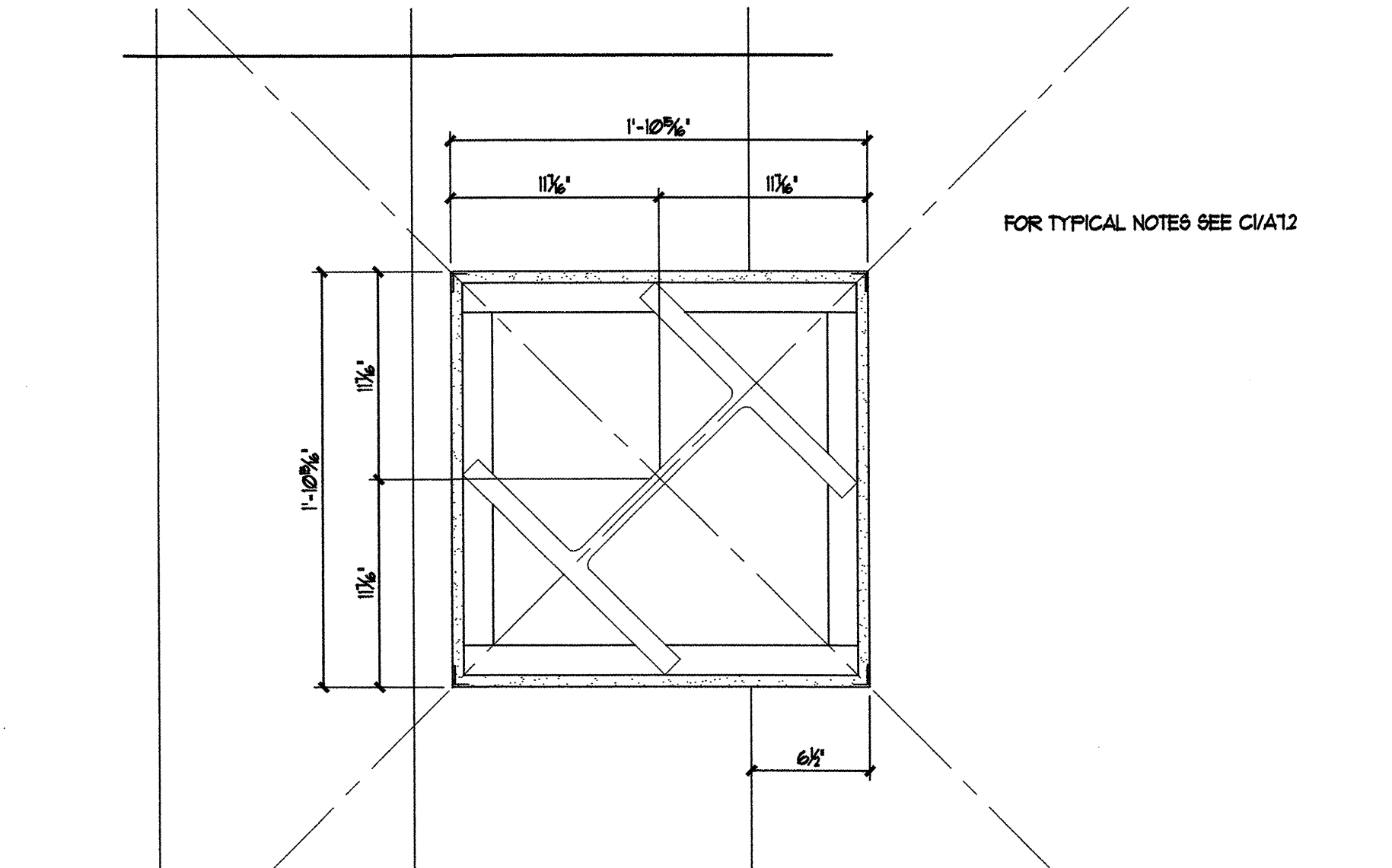
C3 COLUMN DETAIL
 A12 1/2" = 1'-0"



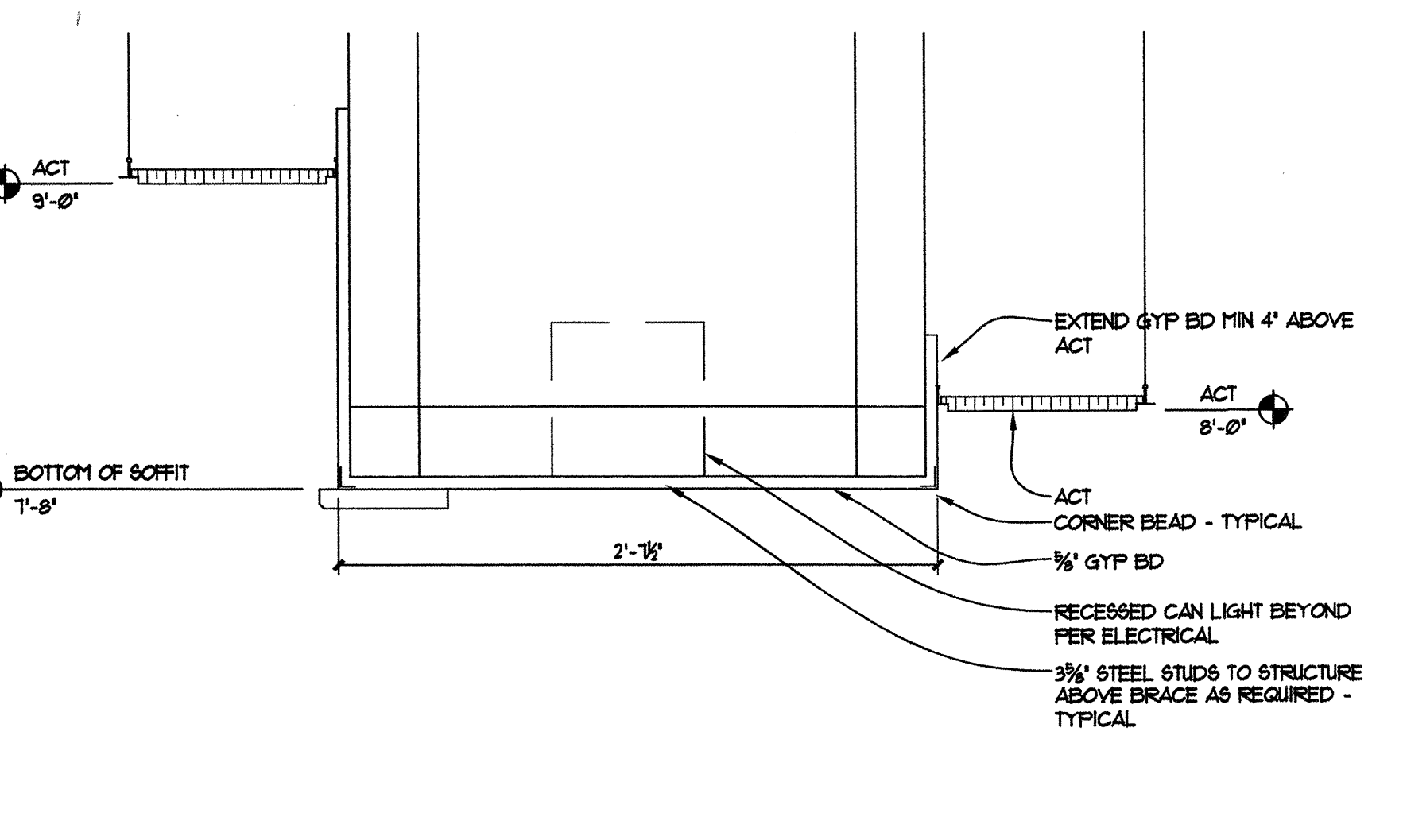
B1 COLUMN DETAIL
 A12 1/2" = 1'-0"



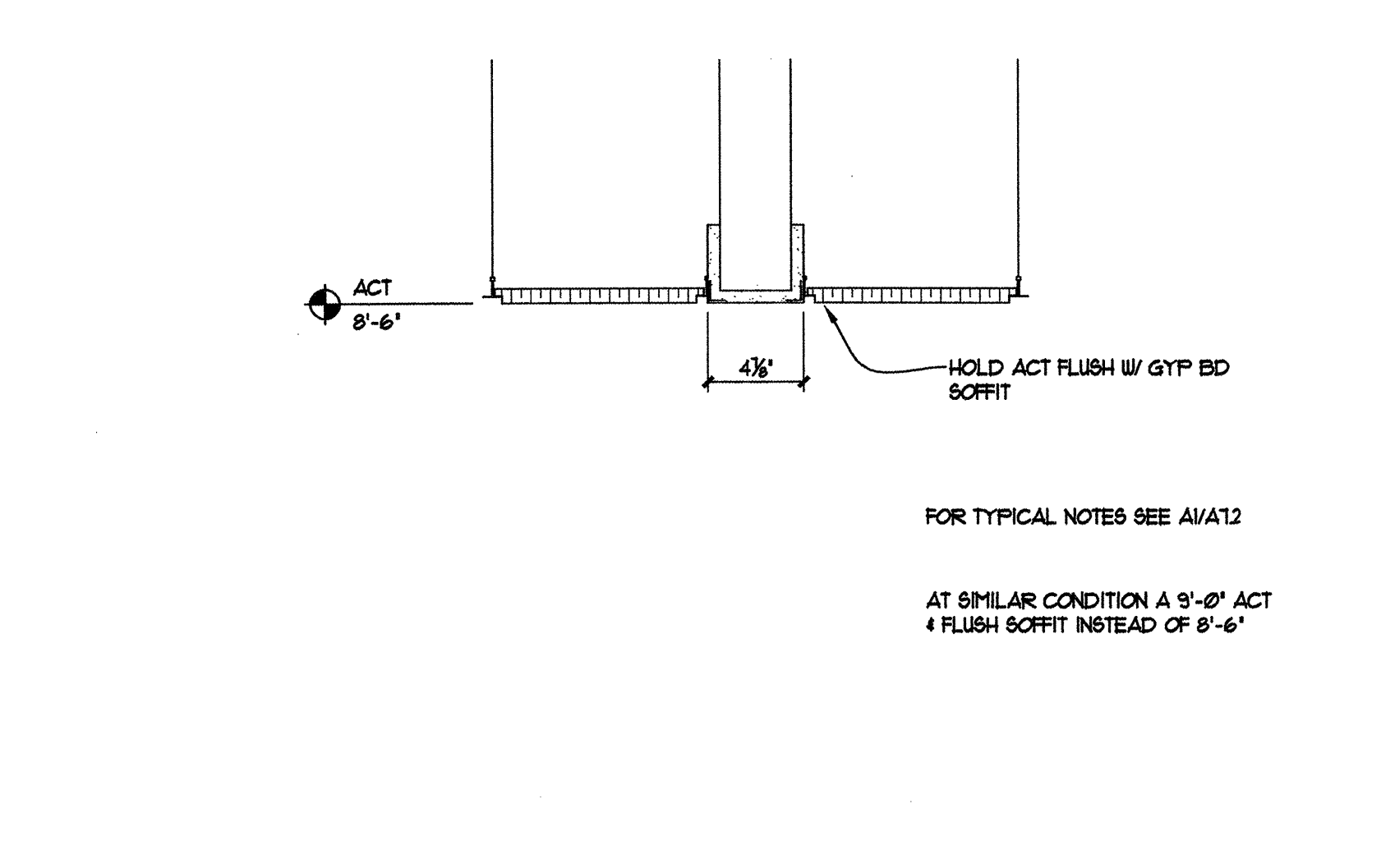
B2 COLUMN DETAIL
 A12 1/2" = 1'-0"



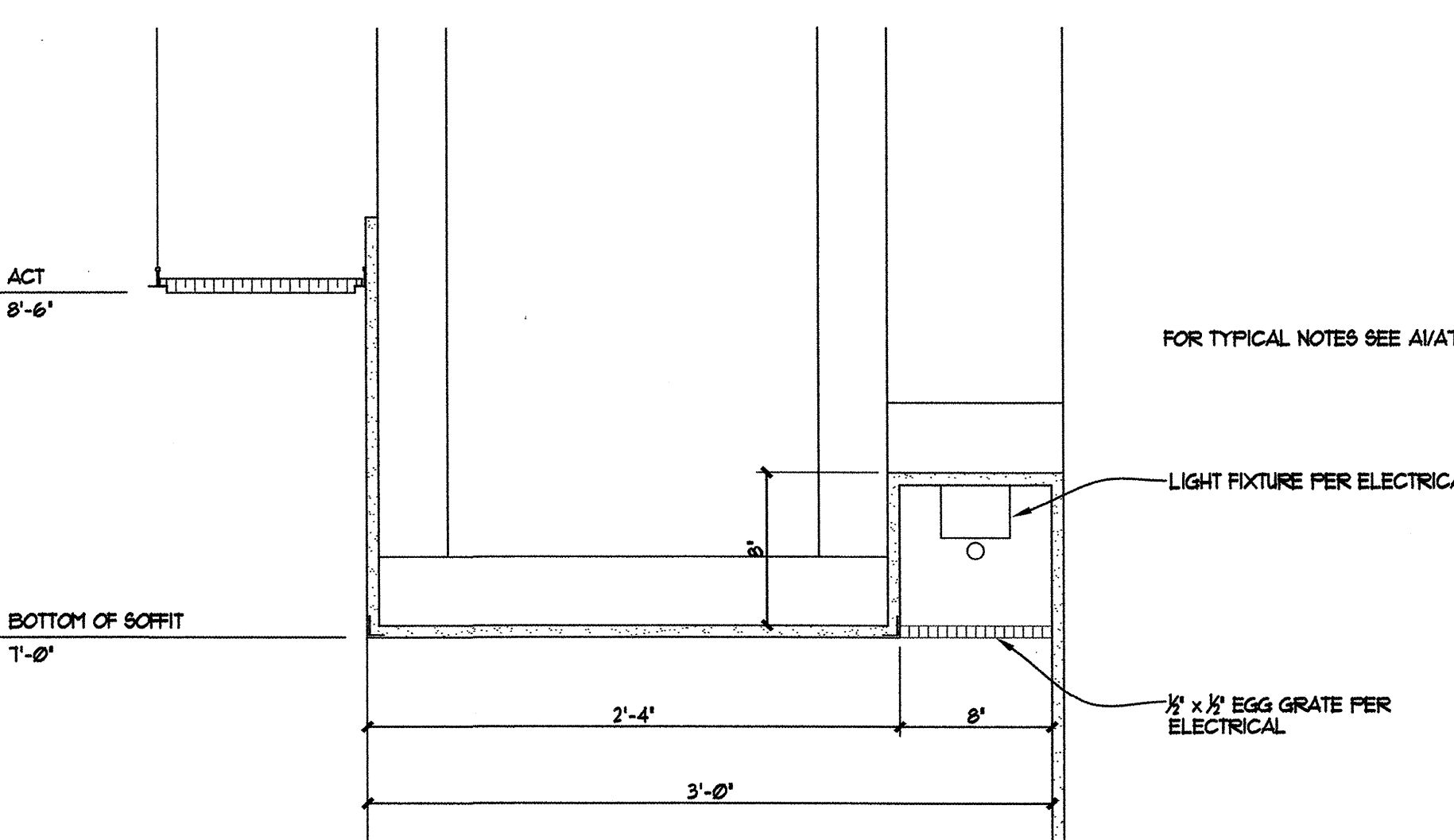
B3 COLUMN DETAIL
 A12 1/2" = 1'-0"



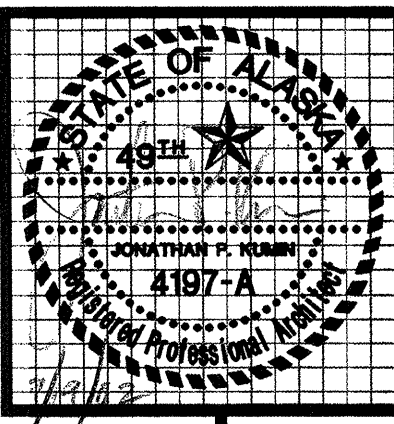
A1 SOFFIT DETAIL
 A12 1/2" = 1'-0"



A2 SOFFIT DETAIL
 A12 1/2" = 1'-0"



A3 SOFFIT DETAIL
 A12 1/2" = 1'-0"



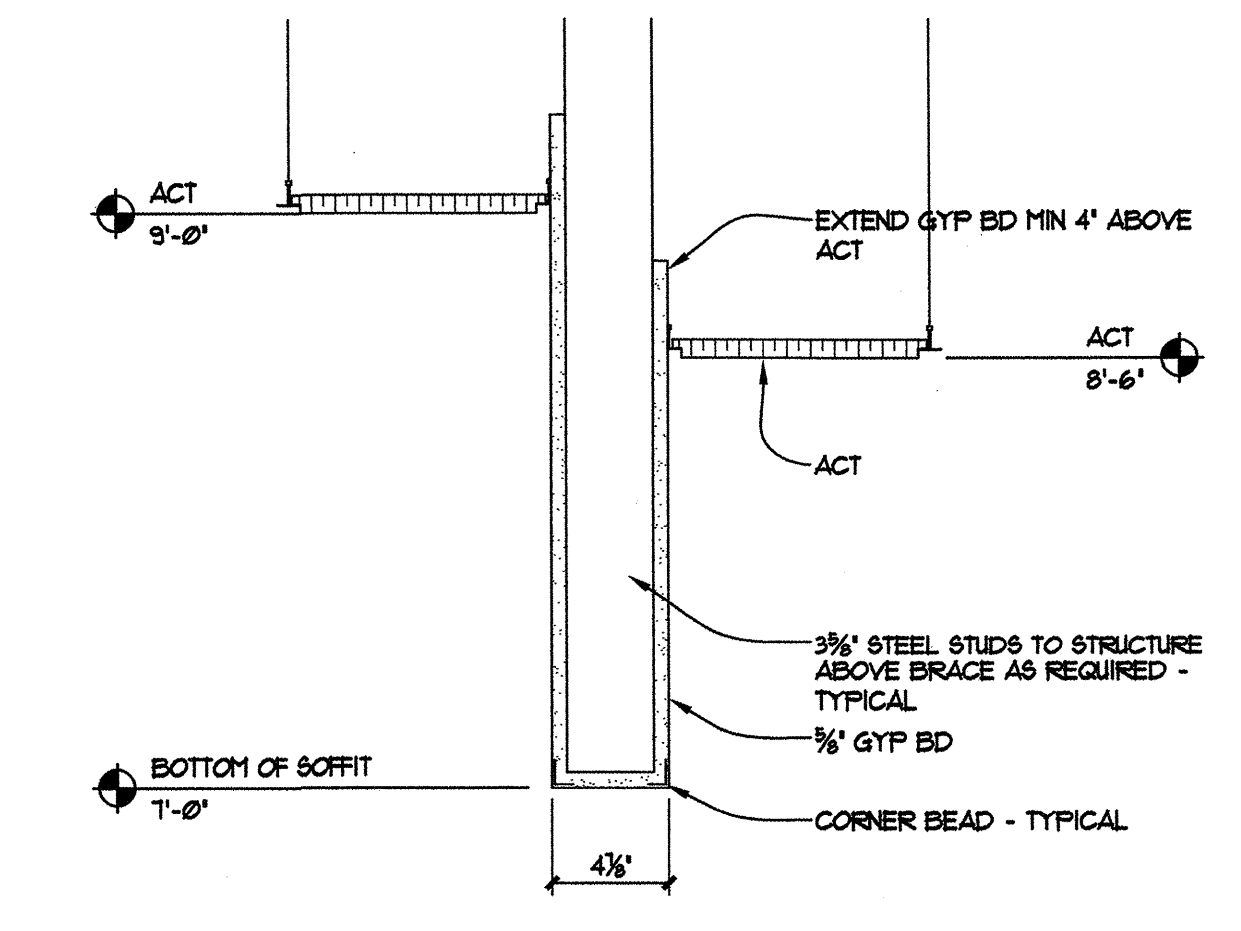
kumin associates, inc.
architects • planners • interior designers

Sjoquist Architects, Inc.
2007 University Ave SE #200
Minneapolis, Minnesota 55414
612.379.9233 Fax 612.379.9263
http://www.sjoquist.com

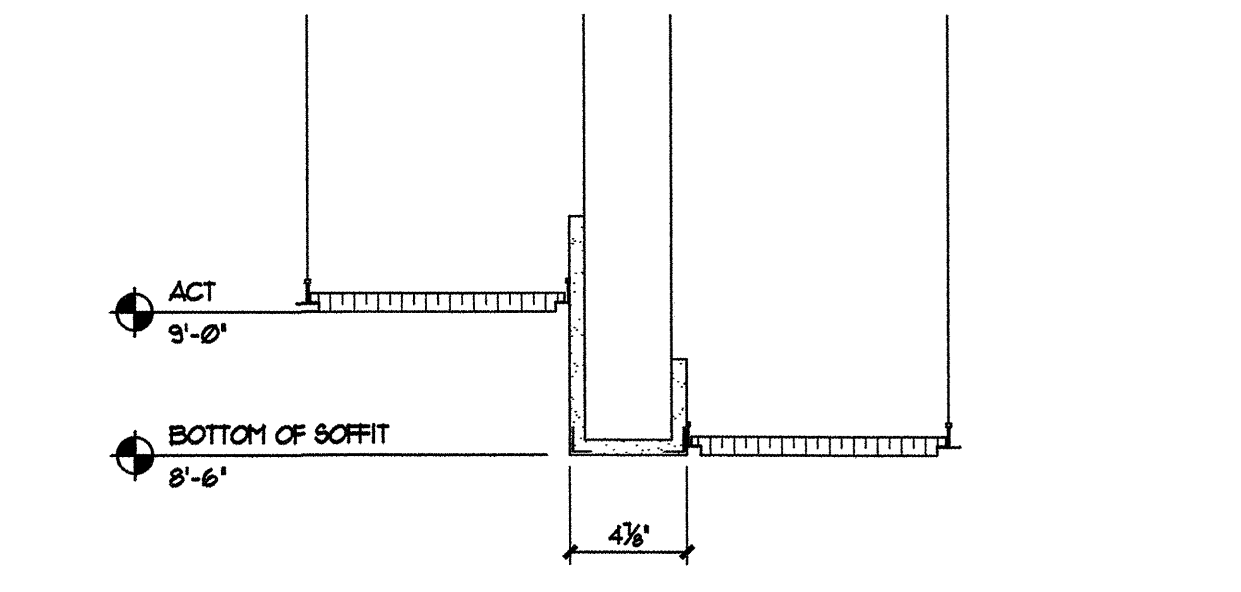
SOUTHCENTRAL FOUNDATION
NEW CLINIC FOR
DENTAL, OPTOMETRY and BEHAVIORAL HEALTH
TUDOR RD. and TUDOR CENTER DRIVE, ANCHORAGE ALASKA

drawn	SAL
checked	DB, JS
date	9-17-02
revisions	
	1 8-26-02 JSZ
job no.	20152
dwg. title	SOFFIT DETAILS
sheet no.	A7.3

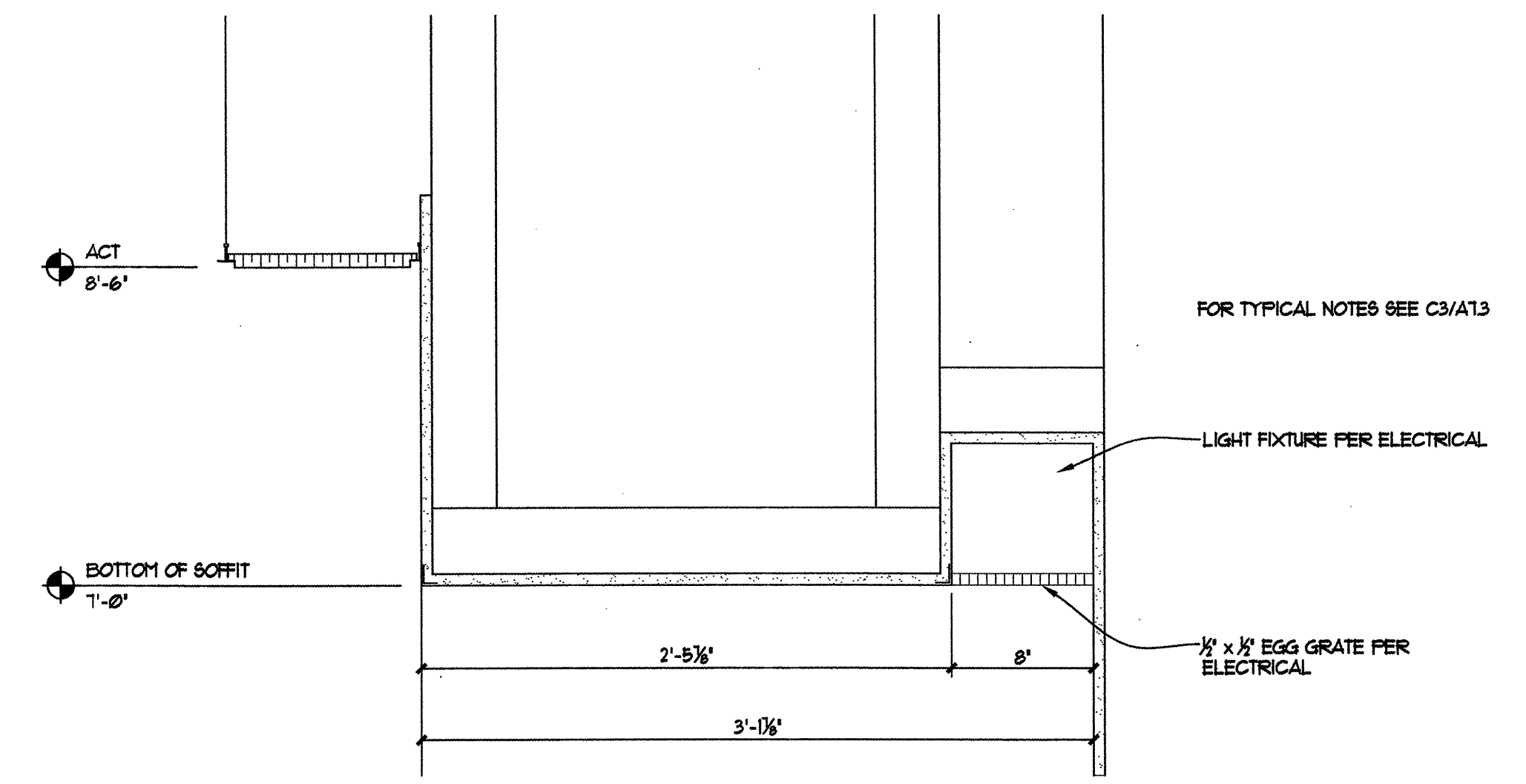
100% SUBMITTAL



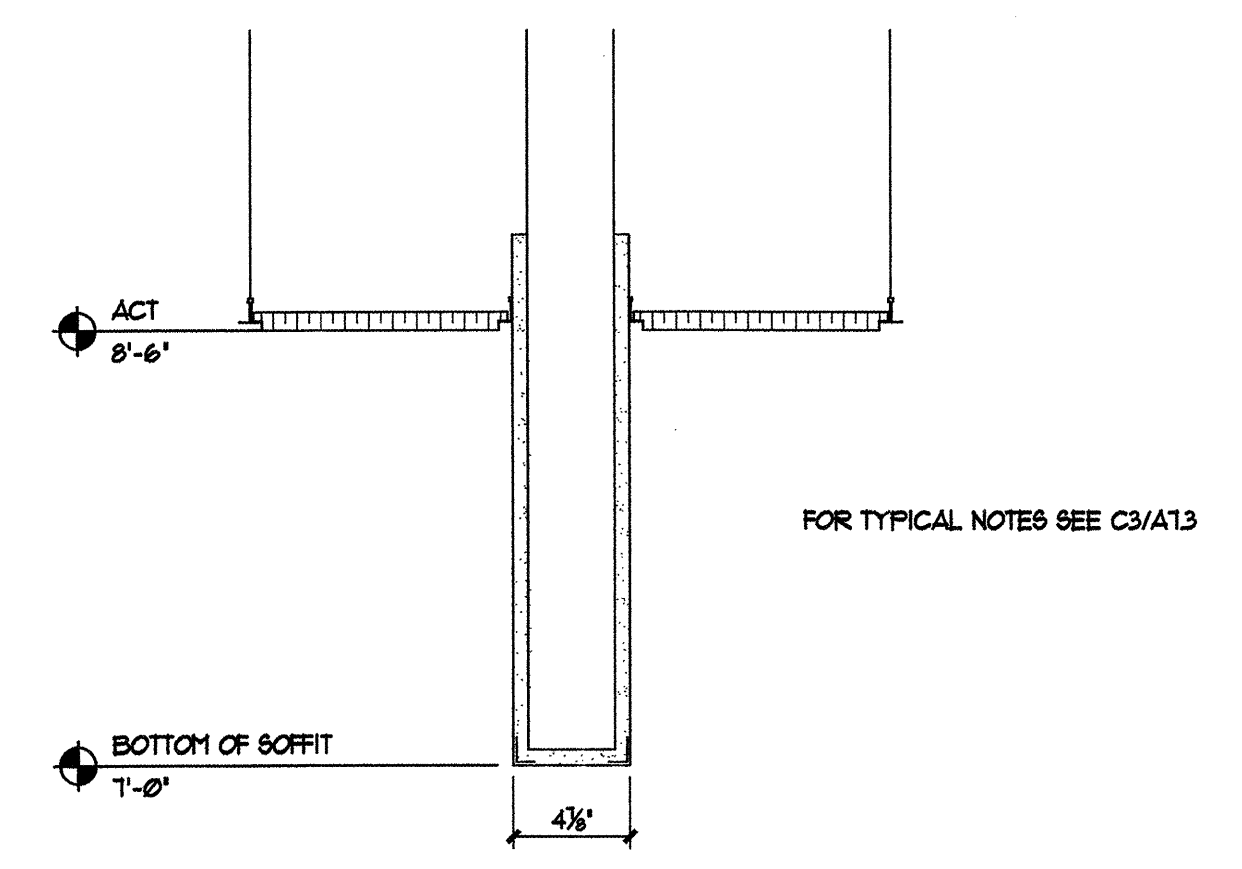
C3 SOFFIT DETAIL
A13 1 1/2" = 1'-0"



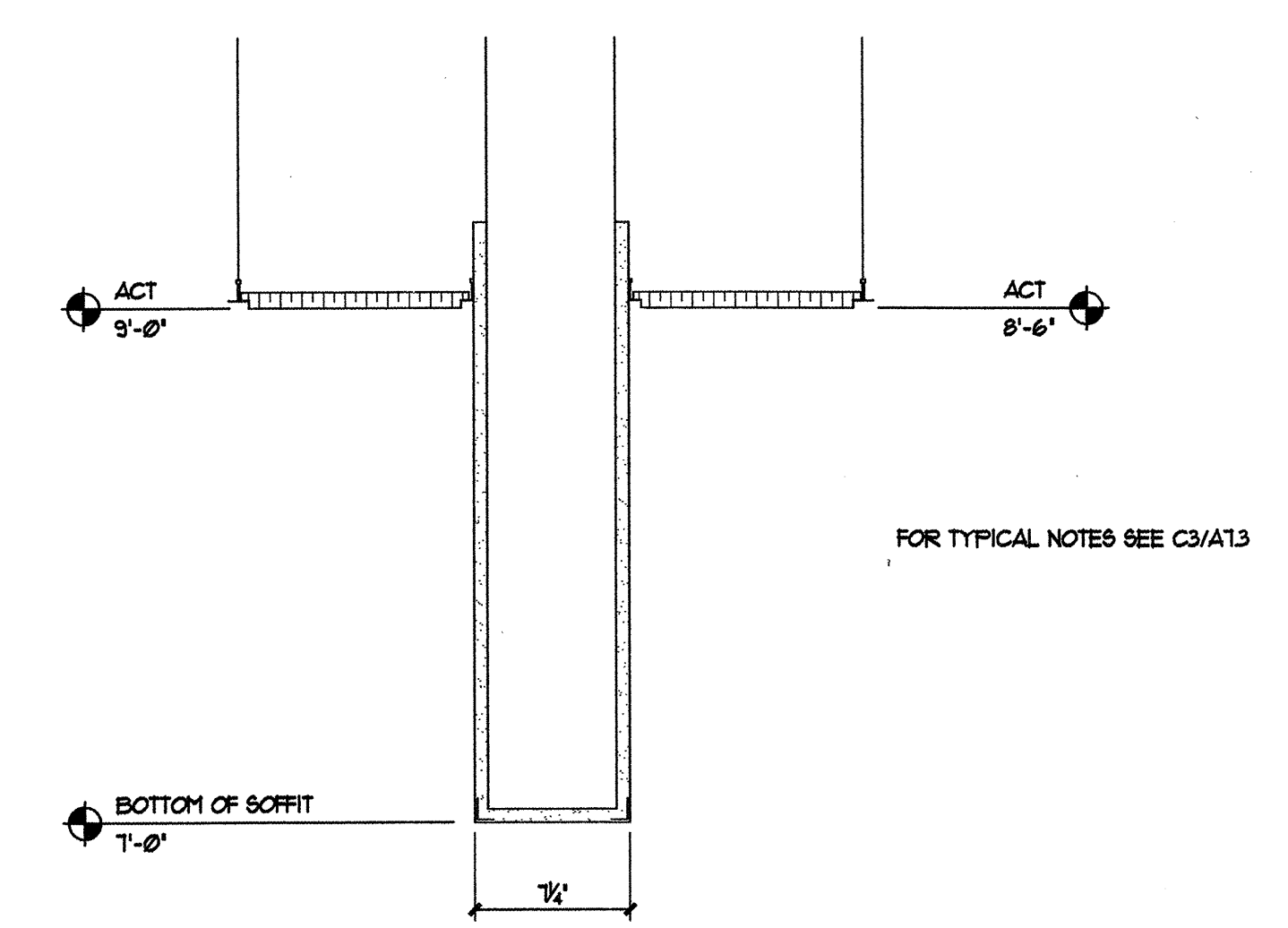
B3 SOFFIT DETAIL
A13 1 1/2" = 1'-0"



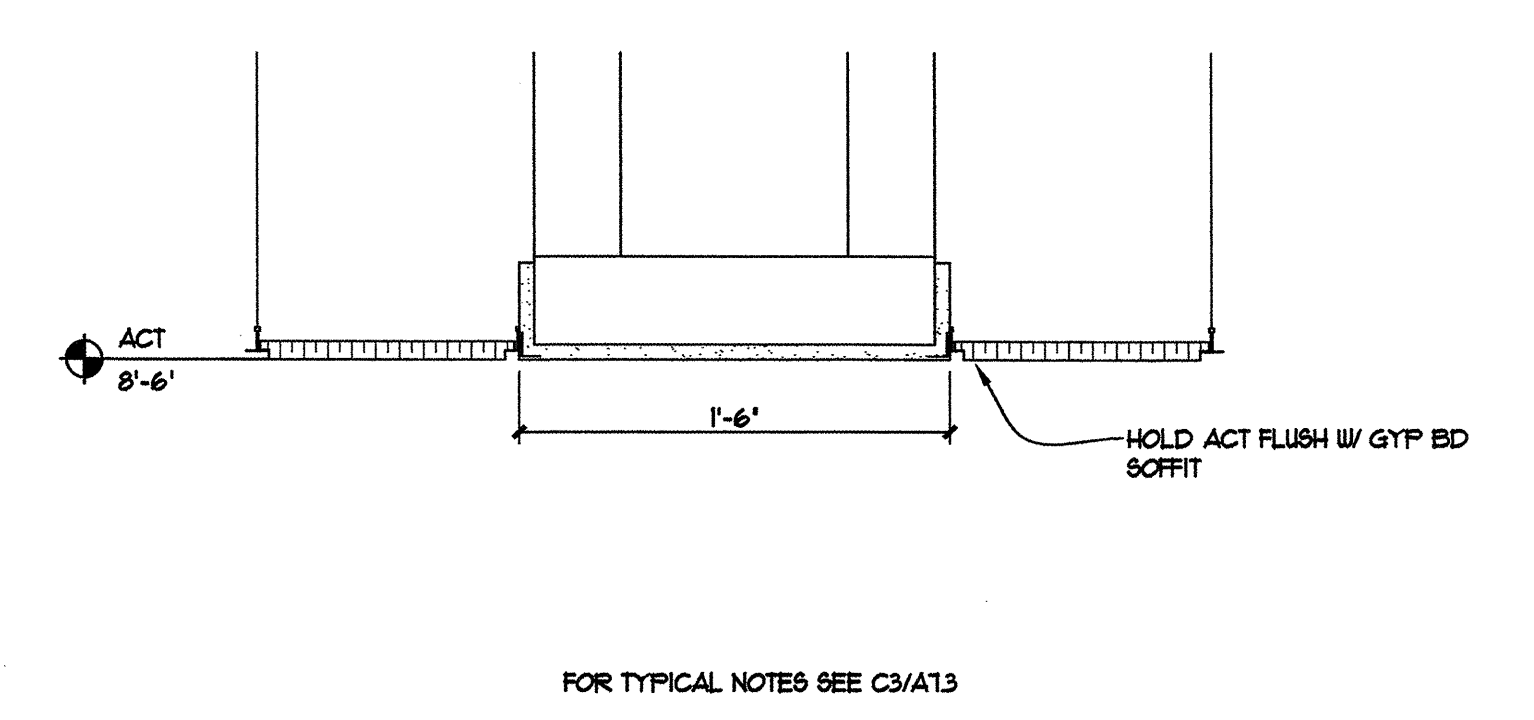
C2 SOFFIT DETAIL
A13 1 1/2" = 1'-0"



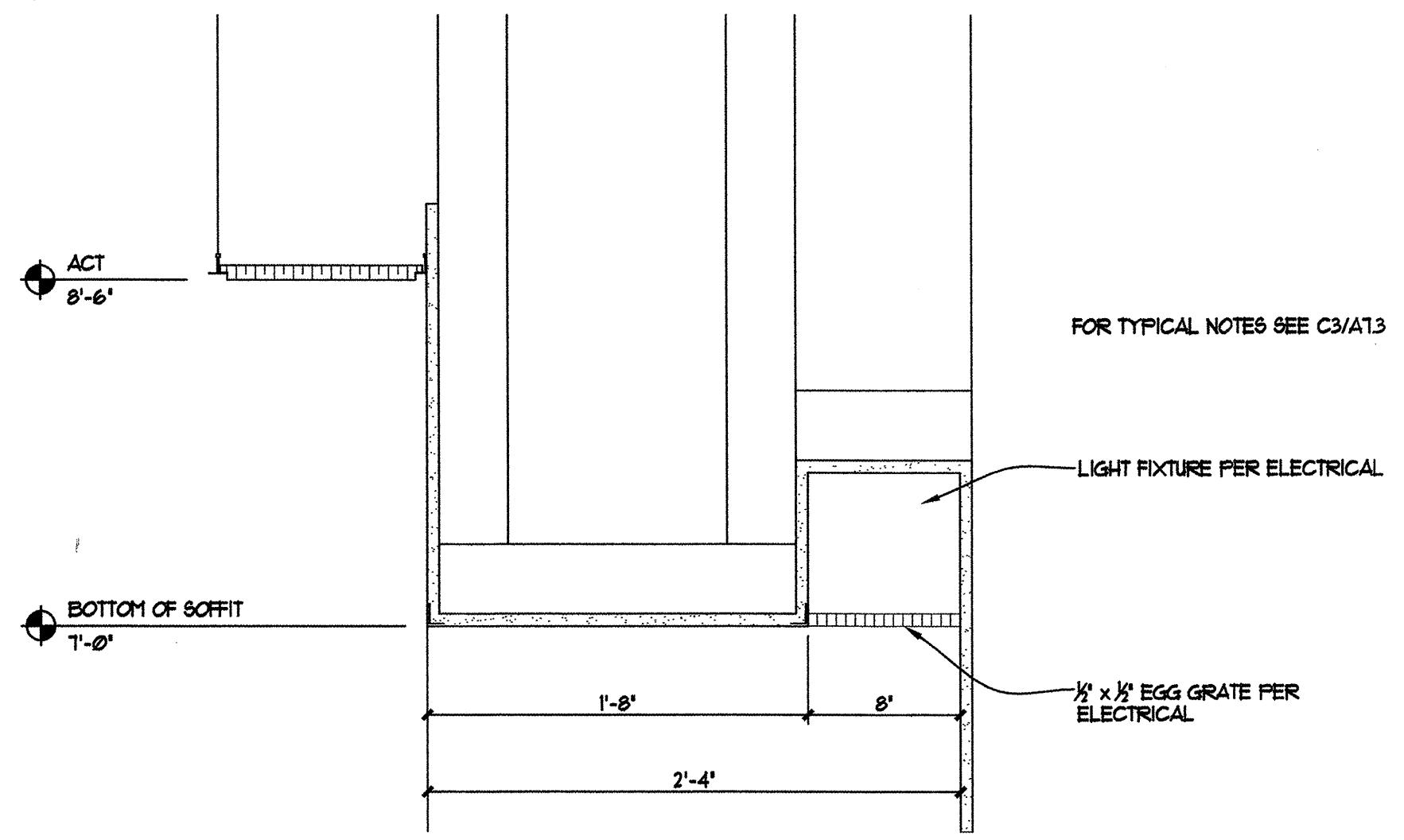
B2 SOFFIT DETAIL
A13 1 1/2" = 1'-0"



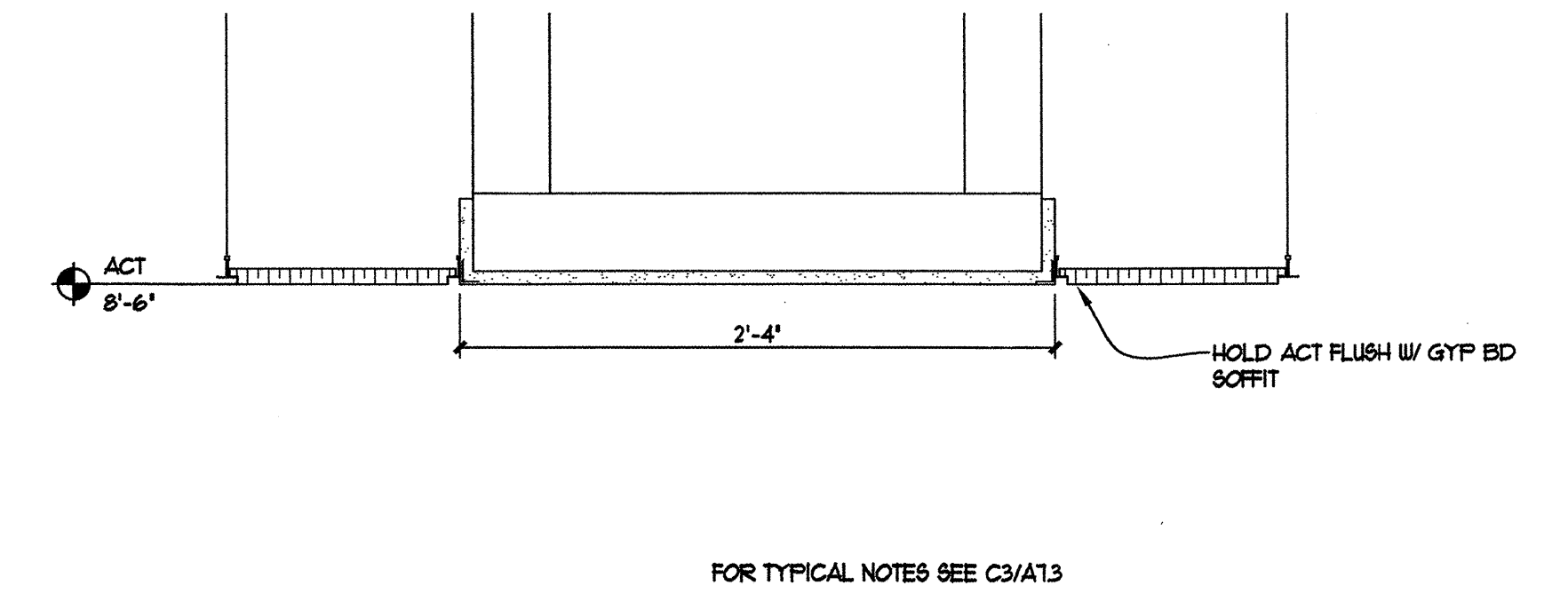
A2 SOFFIT DETAIL
A13 1 1/2" = 1'-0"



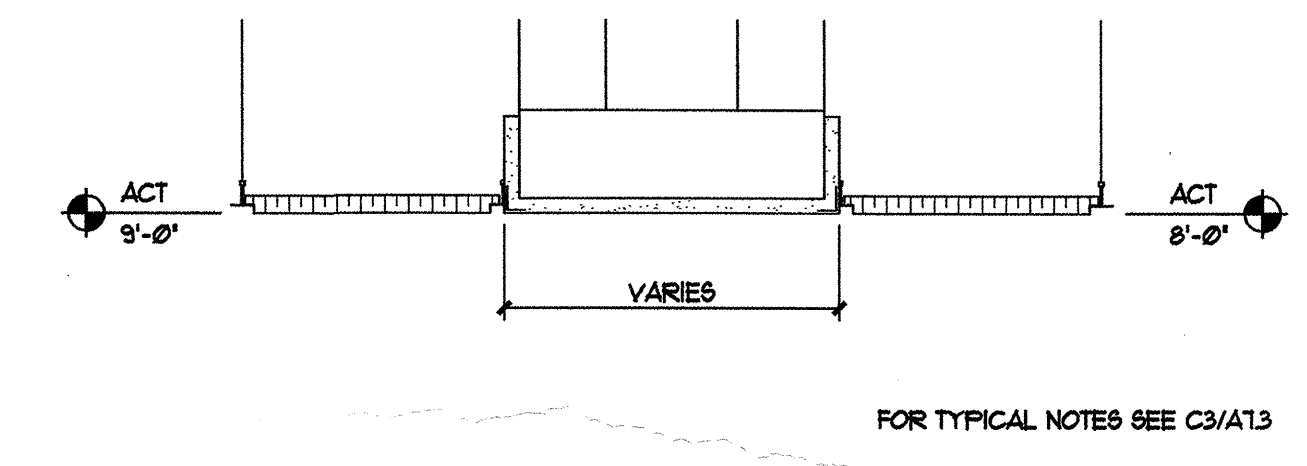
C1 SOFFIT DETAIL
A13 1 1/2" = 1'-0"



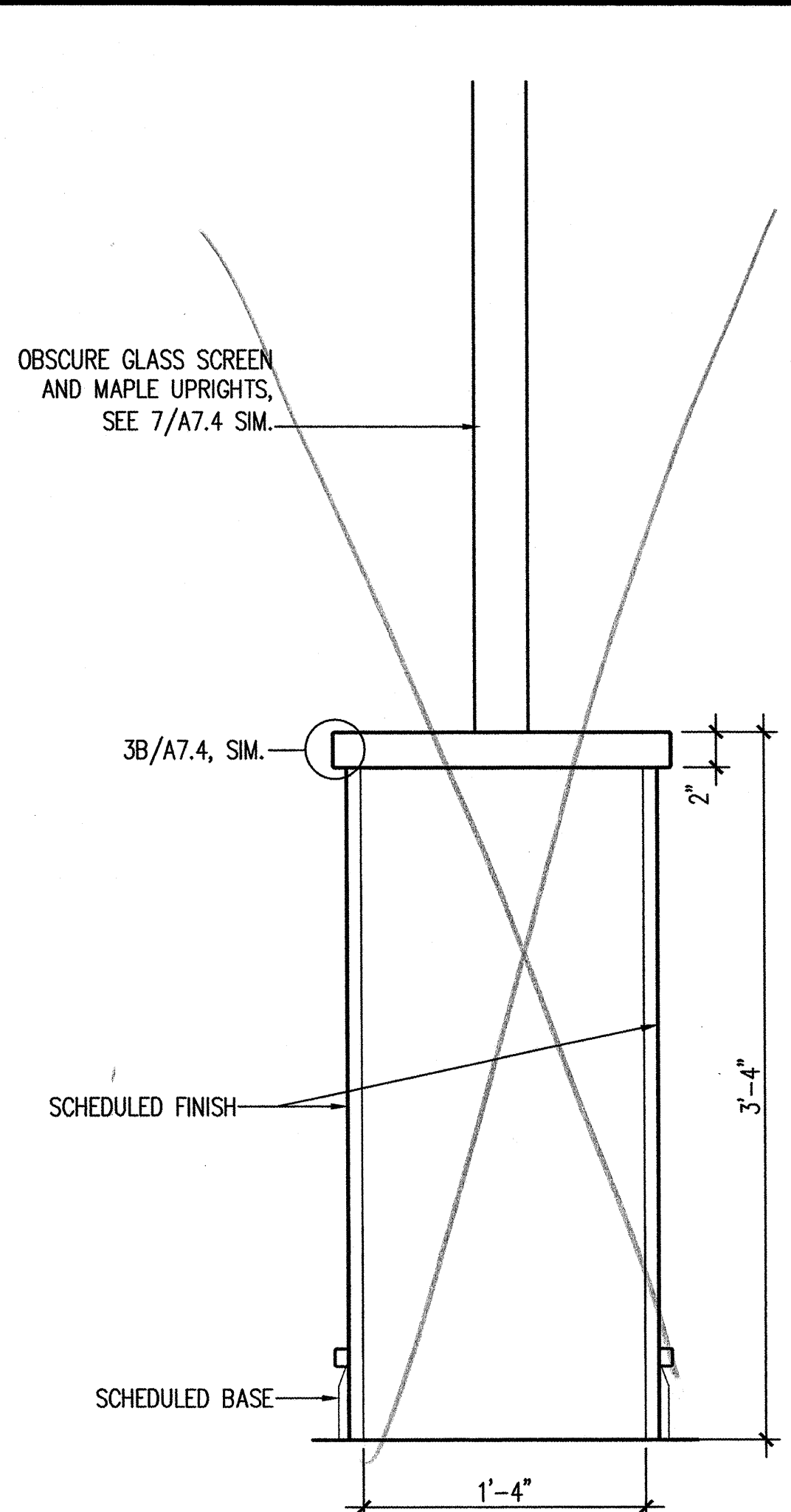
B1 SOFFIT DETAIL
A13 1 1/2" = 1'-0"



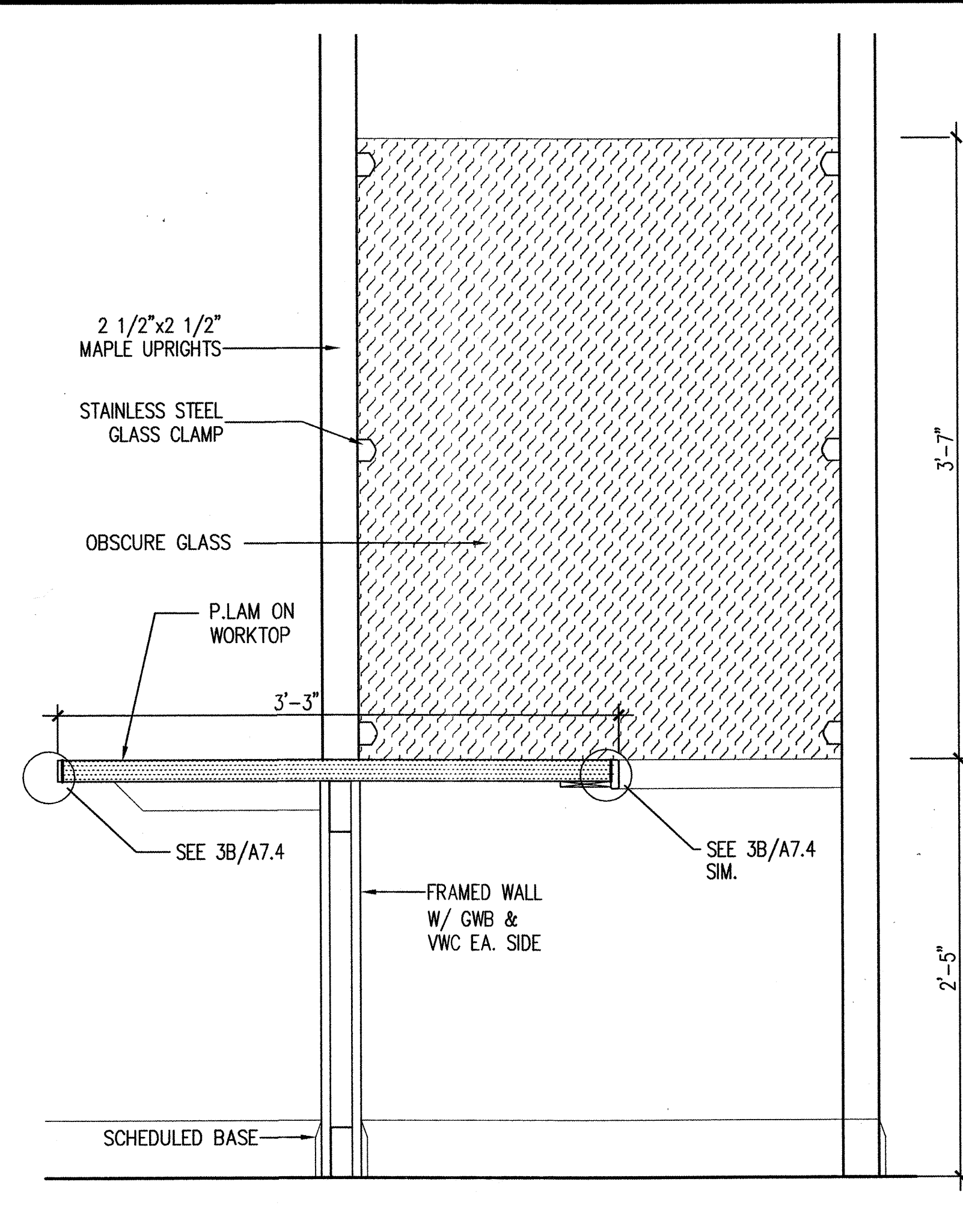
A1 SOFFIT DETAIL
A13 1 1/2" = 1'-0"



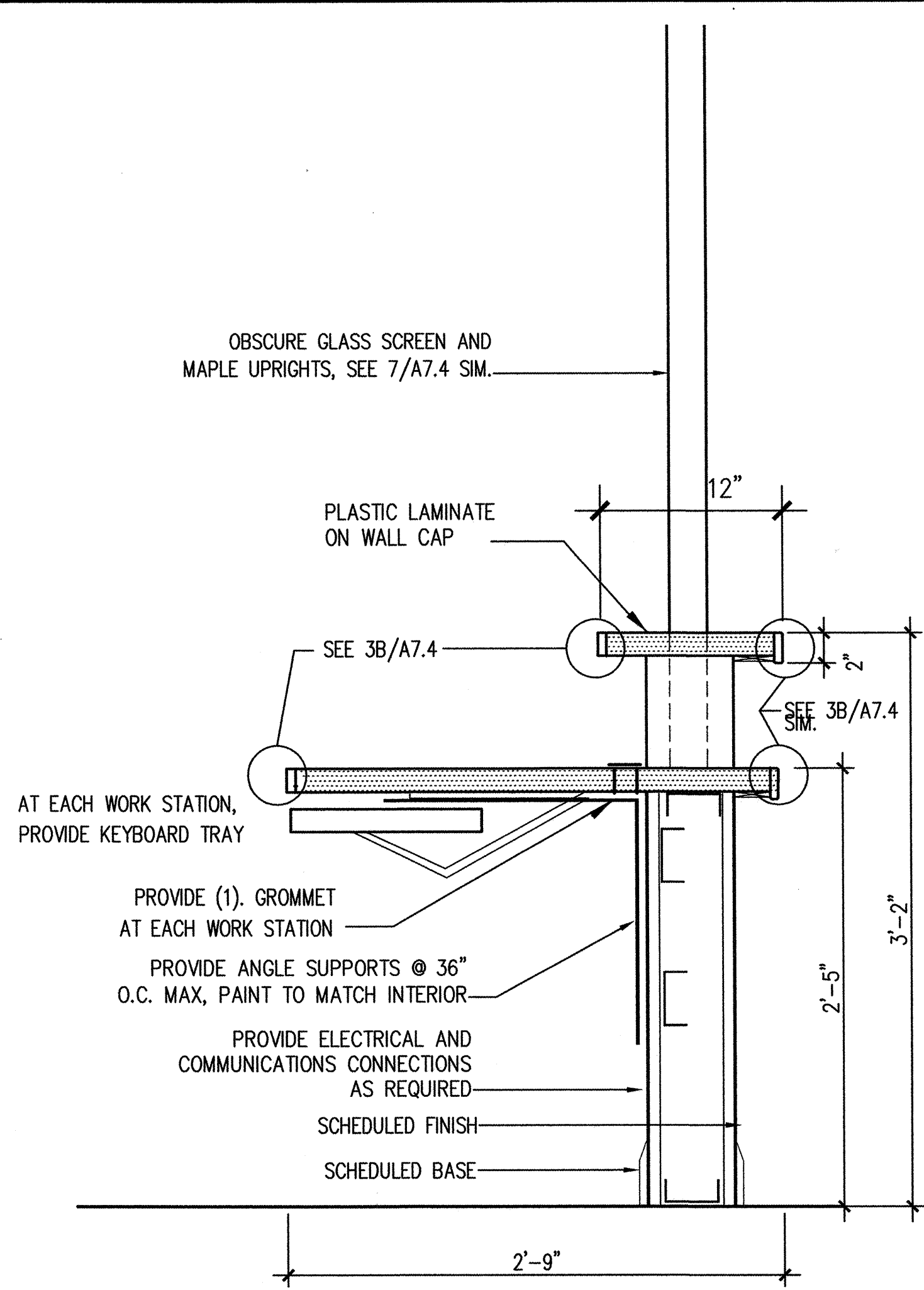
A3 SOFFIT DETAIL
A13 1 1/2" = 1'-0"



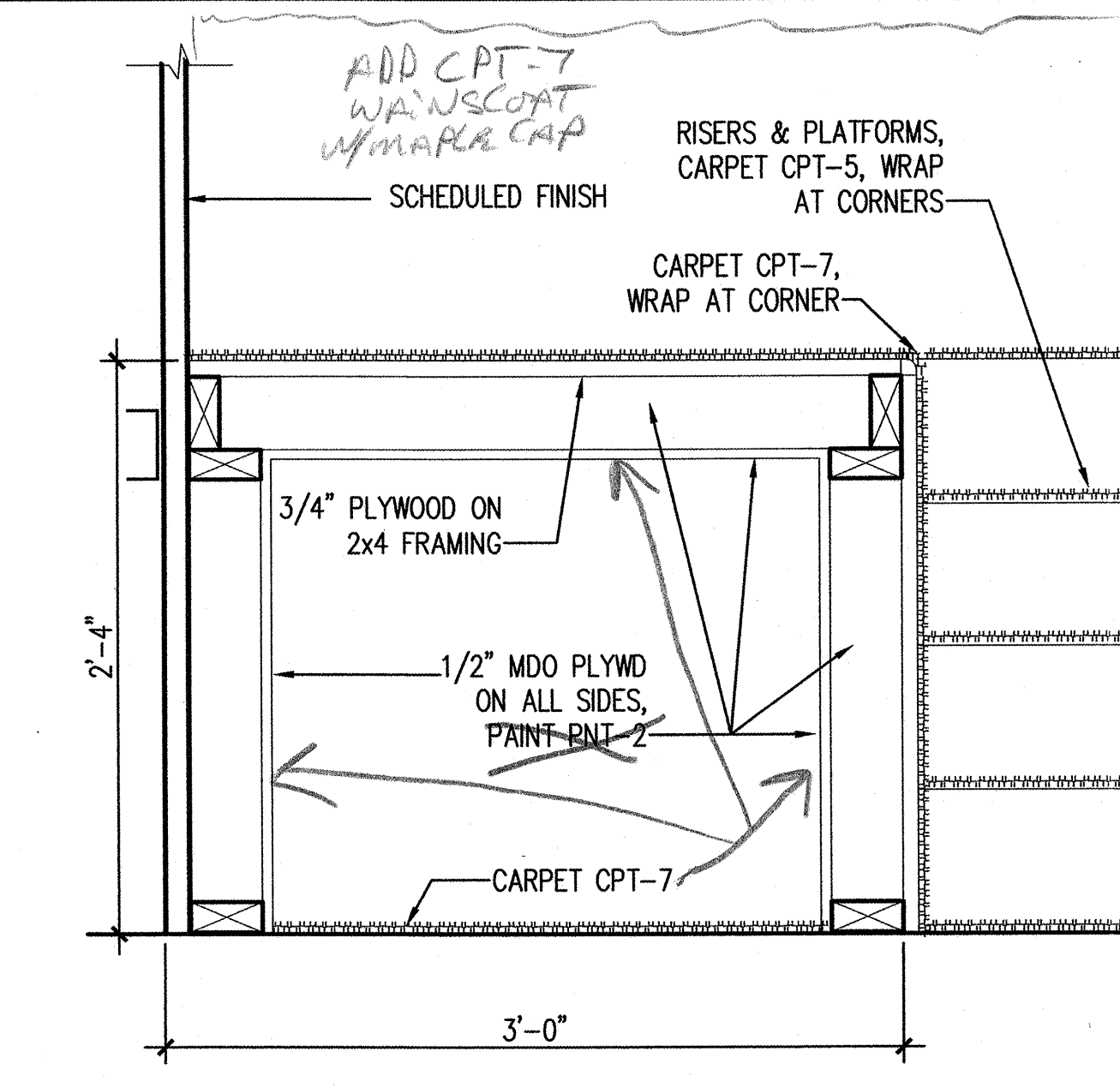
9 DIVIDER SCREEN
1 1/2" = 1'-0" A5.16



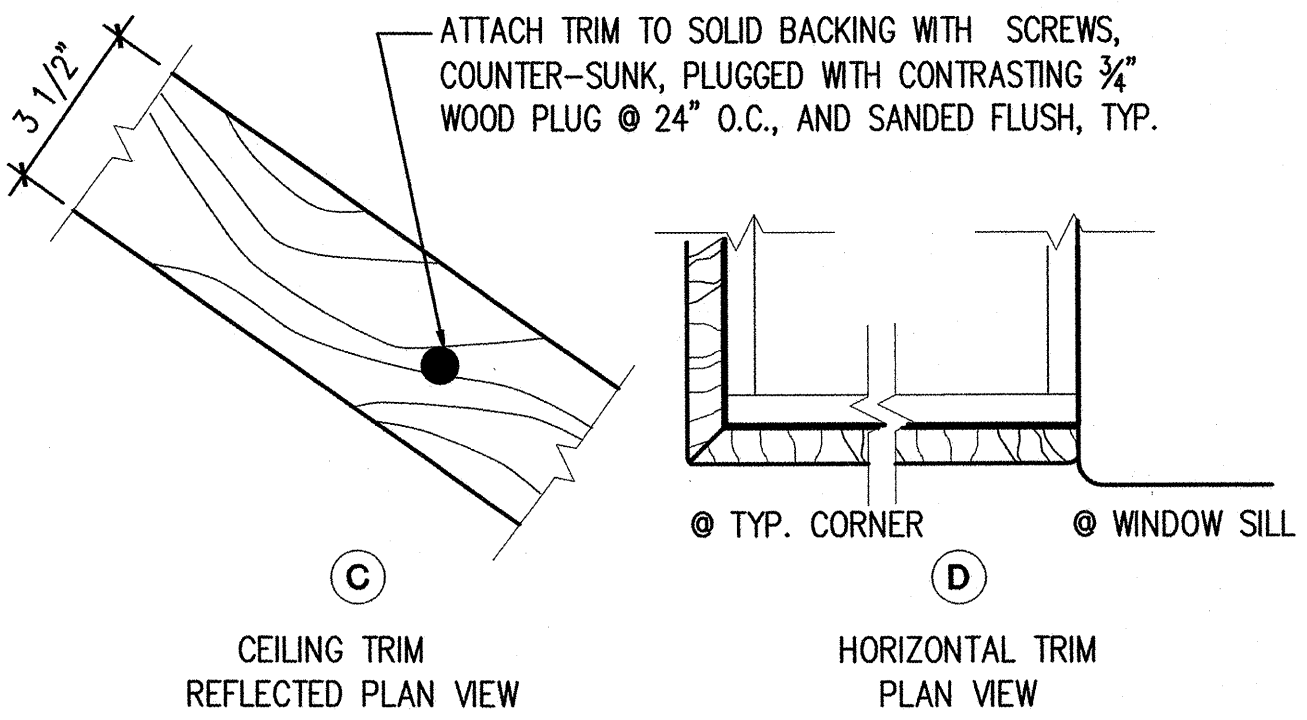
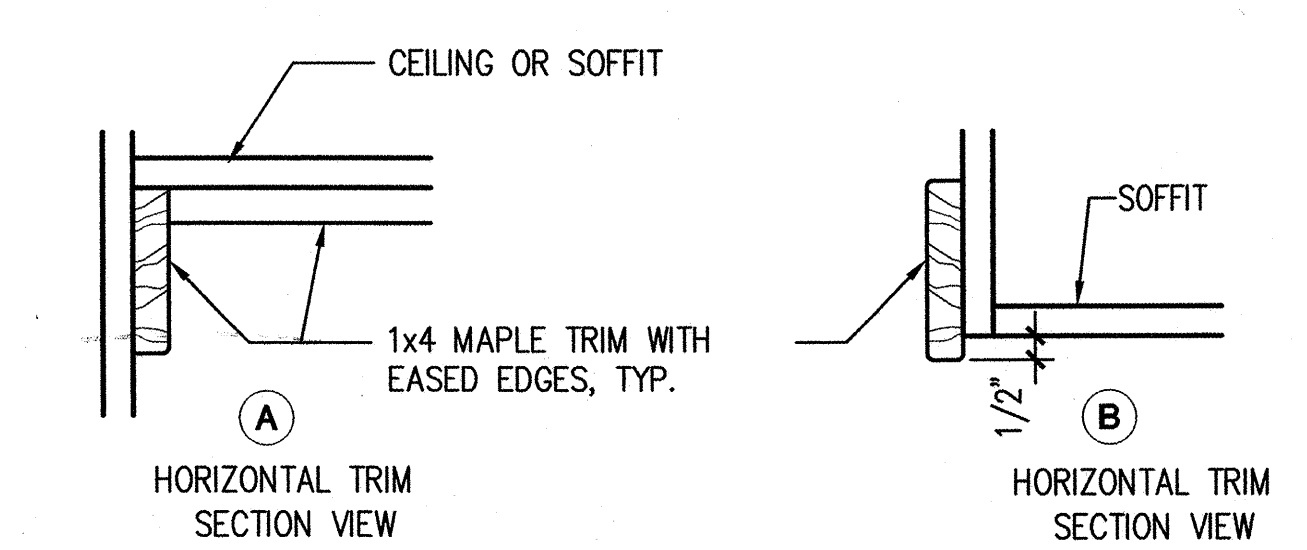
7 REAPPOINT. DESK
1 1/2" = 1'-0" A5.16



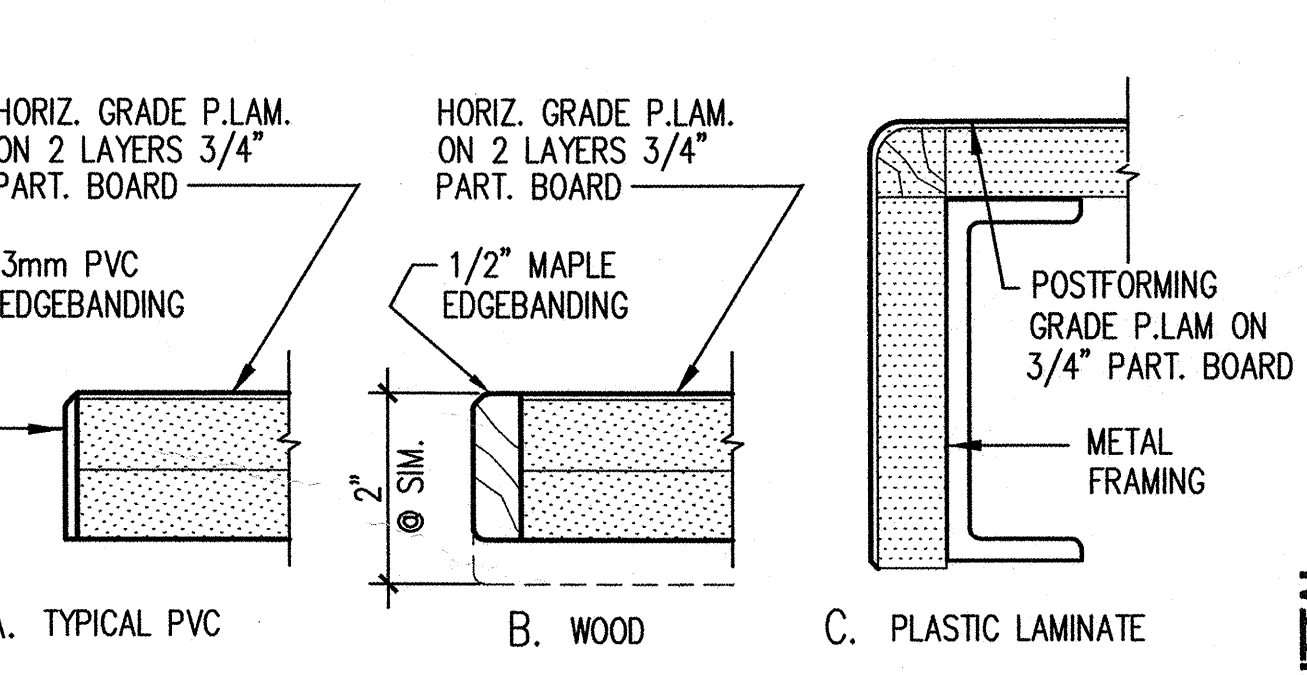
4 RECEPTION
1 1/2" = 1'-0" A5.16



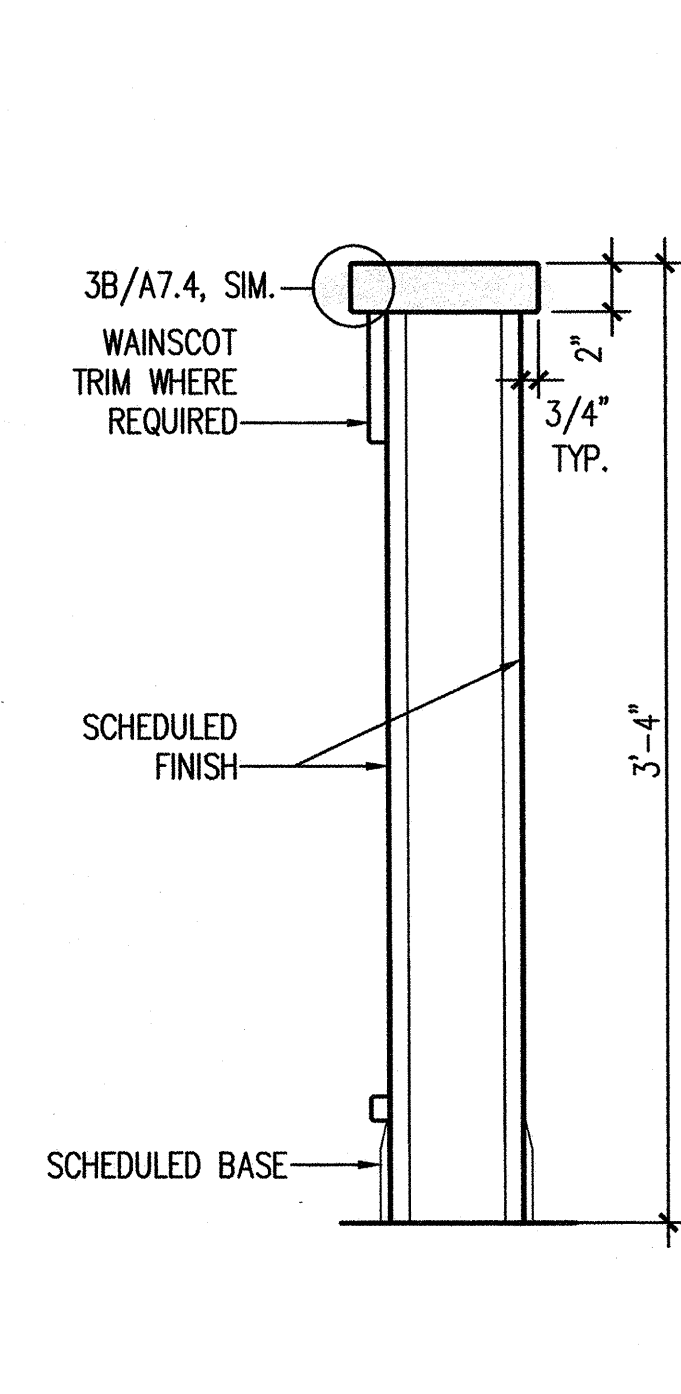
1 PLAY STRUCTURE
1 1/2" = 1'-0" A5.16



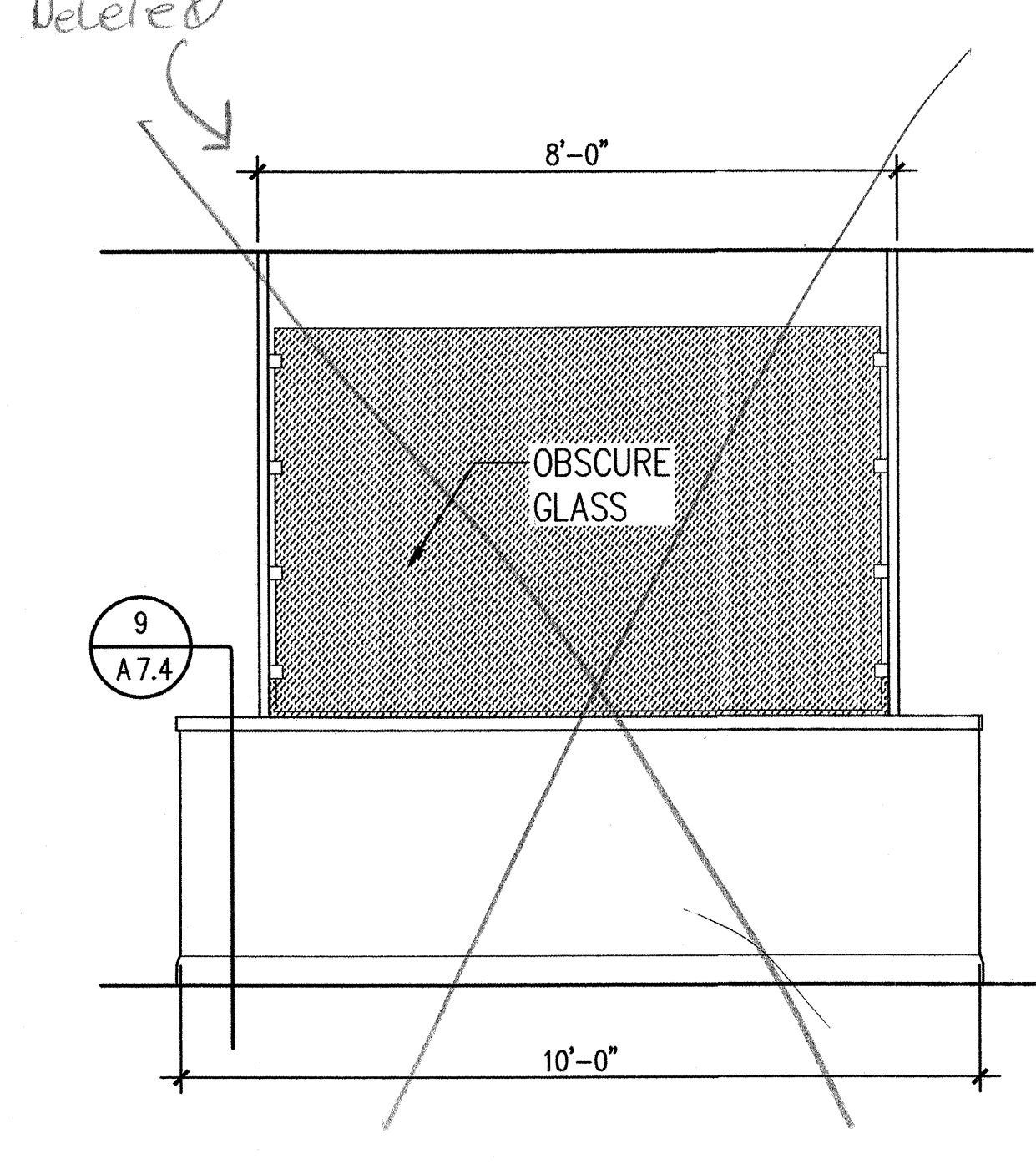
2 WOOD TRIM
3" = 1'-0"



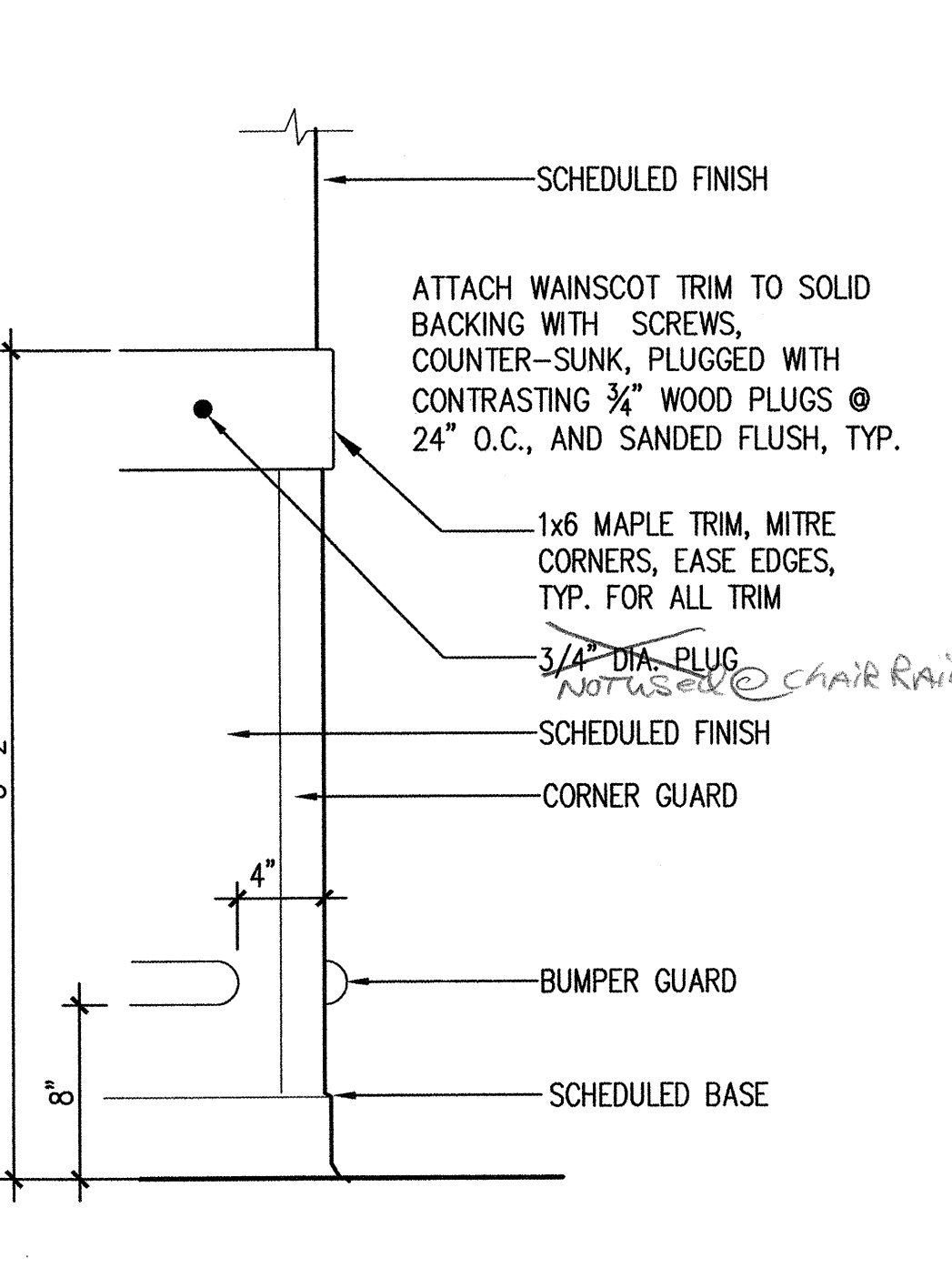
3 COUNTERTOP EDGES
6" = 1'-0" A7.4, A7.5



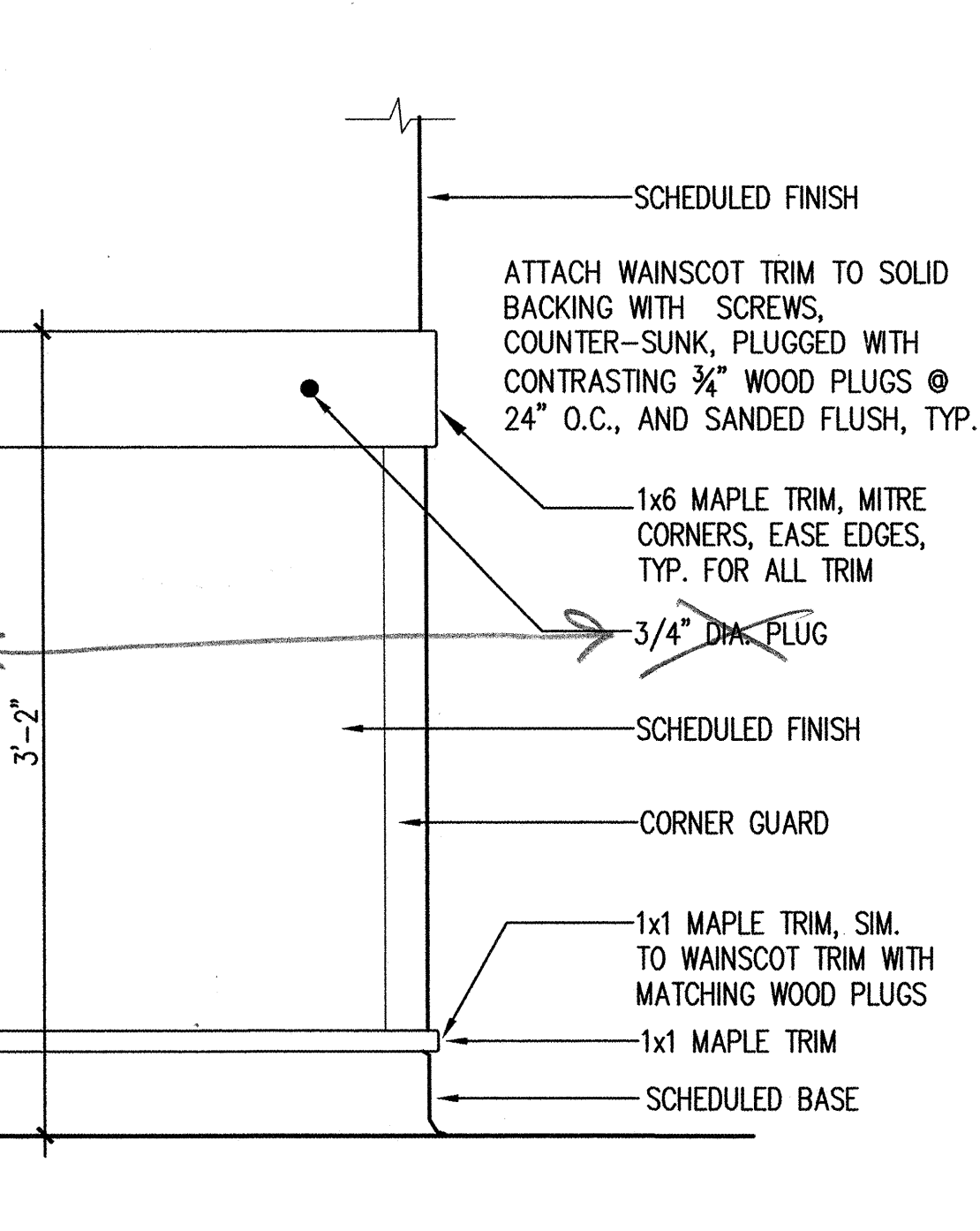
10 PONY WALL
1 1/2" = 1'-0" TYP.



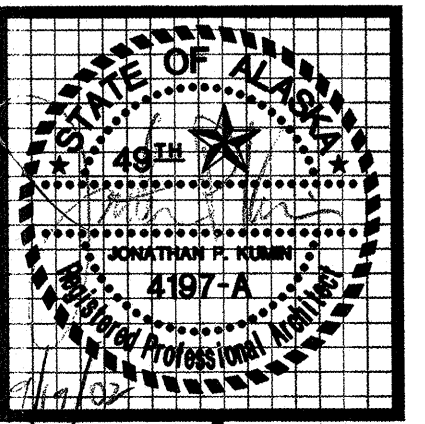
8 GLAZED SCREEN
1/2" = 1'-0" A5.16



6 BUMPER GUARDS
1 1/2" = 1'-0" TYP.



5 WOOD TRIM
1 1/2" = 1'-0" TYP.



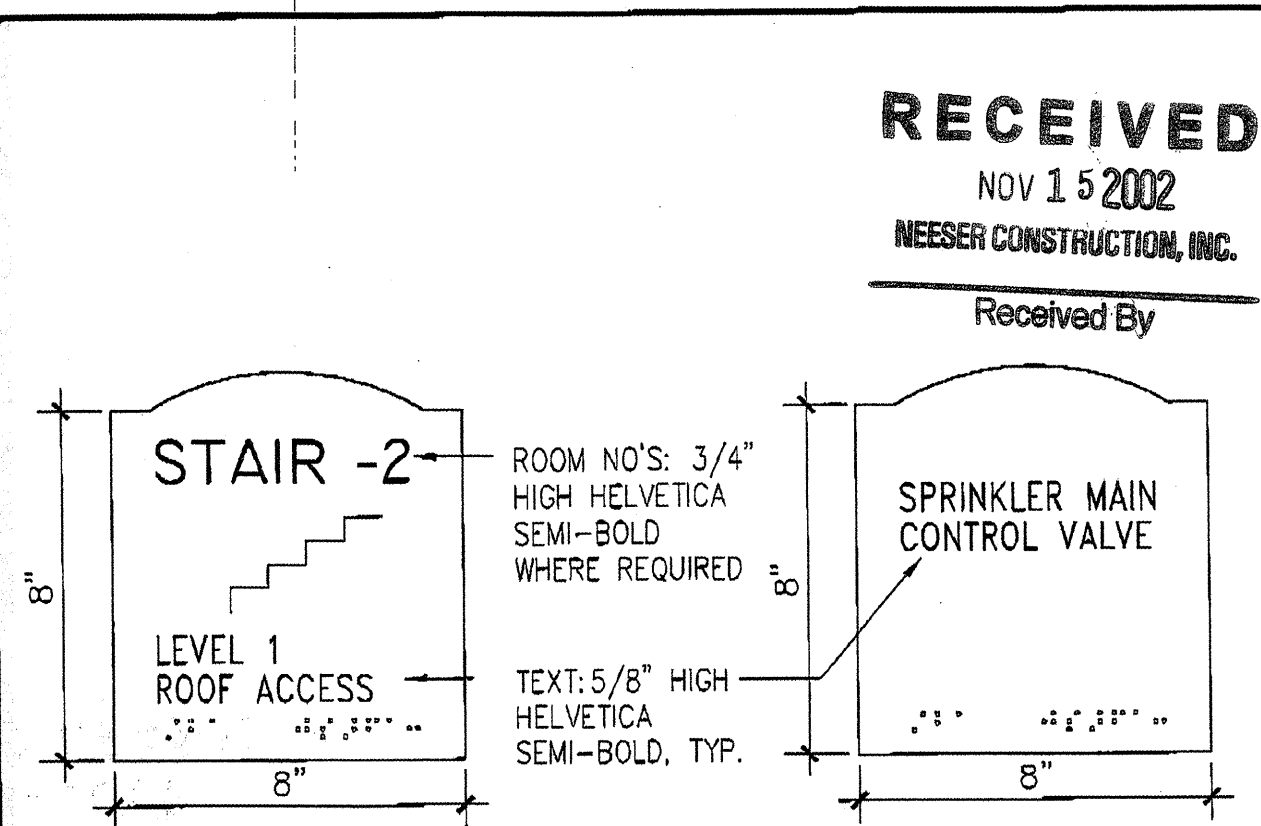
kumin associates, inc.
interior designers
planners
architects

Sjoquist Architects, Inc.
2001 University Ave SE #200
Minneapolis, Minnesota 55414
http://www.sjoquist.com
612.379.9233 Fax 612.379.9263

SOUTHCENTRAL FOUNDATION
NEW CLINIC FOR
DENTAL, OPTOMETRY and BEHAVIORAL HEALTH
TUDOR RD. and TUDOR CENTER DRIVE, ANCHORAGE, ALASKA

drawn	SZ
checked	DB, JS
date	9-17-07
revisions	
	8-26-02 95%
	9-17-02 100%
job no.	20152
dwg. title	INTERIOR DETAILS
sheet no.	A7.4

100% SUBMITTAL



drawn JS title Interior Signage
 checked JS
 date 11/8/02
 job no. 20152

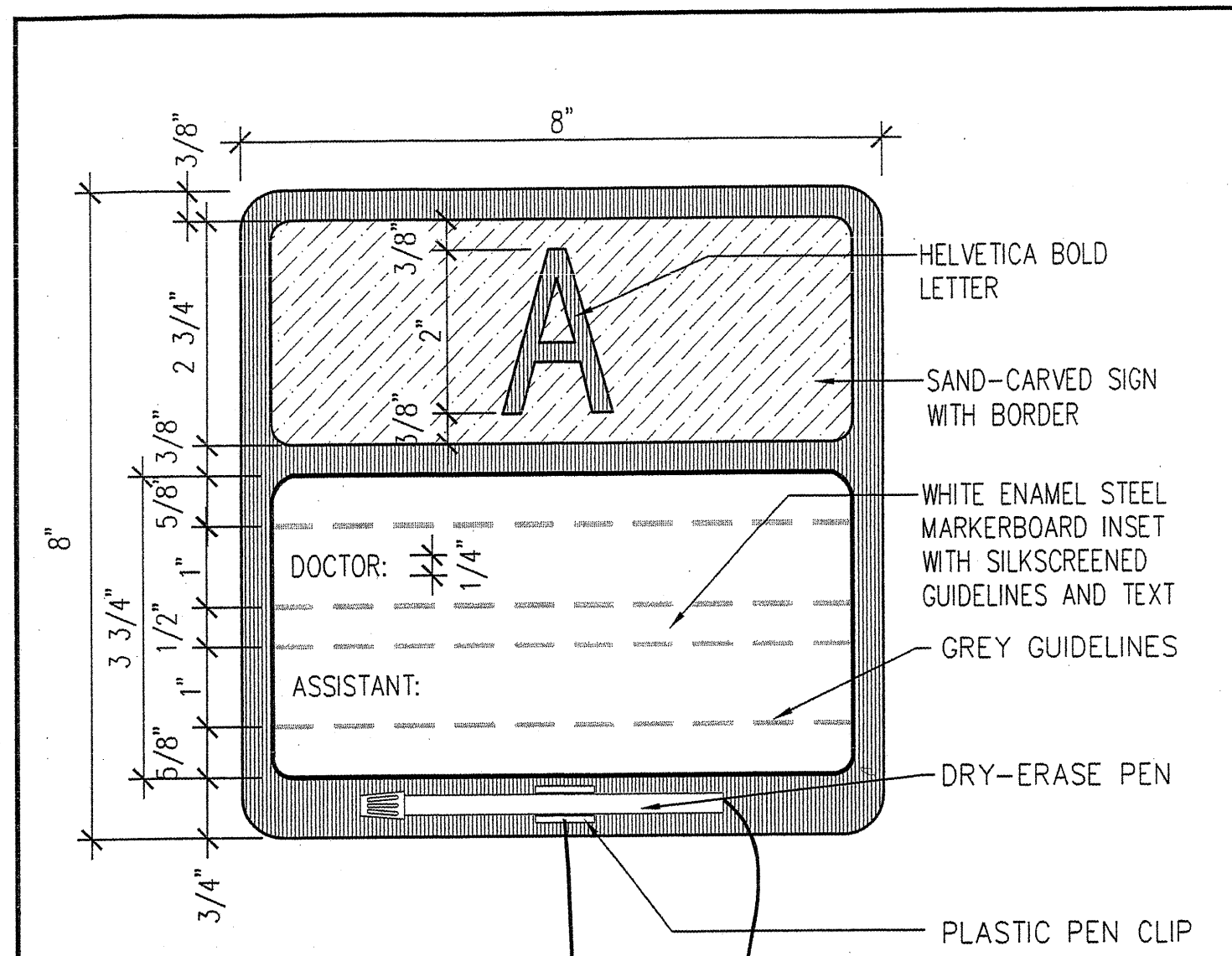
kumin associates, inc.
 architects & planners
 605 E. 4th Ave. Ste. 200 - Anchorage, Alaska 99501 - PH: 907.272.7733
 Dental, Optometry, Behavioral Health Clinic
 Southcentral Foundation - Anchorage, AK

sheet no. SK-A

drawn JS title Interior Signage
 checked JS
 date 11/8/02
 job no. 20152

kumin associates, inc.
 architects & planners
 605 E. 4th Ave. Ste. 200 - Anchorage, Alaska 99501 - PH: 907.272.7733
 Dental, Optometry, Behavioral Health Clinic
 Southcentral Foundation - Anchorage, AK

sheet no. SK-A



NOTE: PROVIDE (21) SIGNS, LETTERED CONSECUTIVELY PER ATTACHED MEMO. ATTACH WITH DOUBLE-STICK TAPE TO DENTAL CABINETS.

drawn JS title Panel Sign w/Markerboard
 checked JS
 date 3/5/03
 job no. 20152

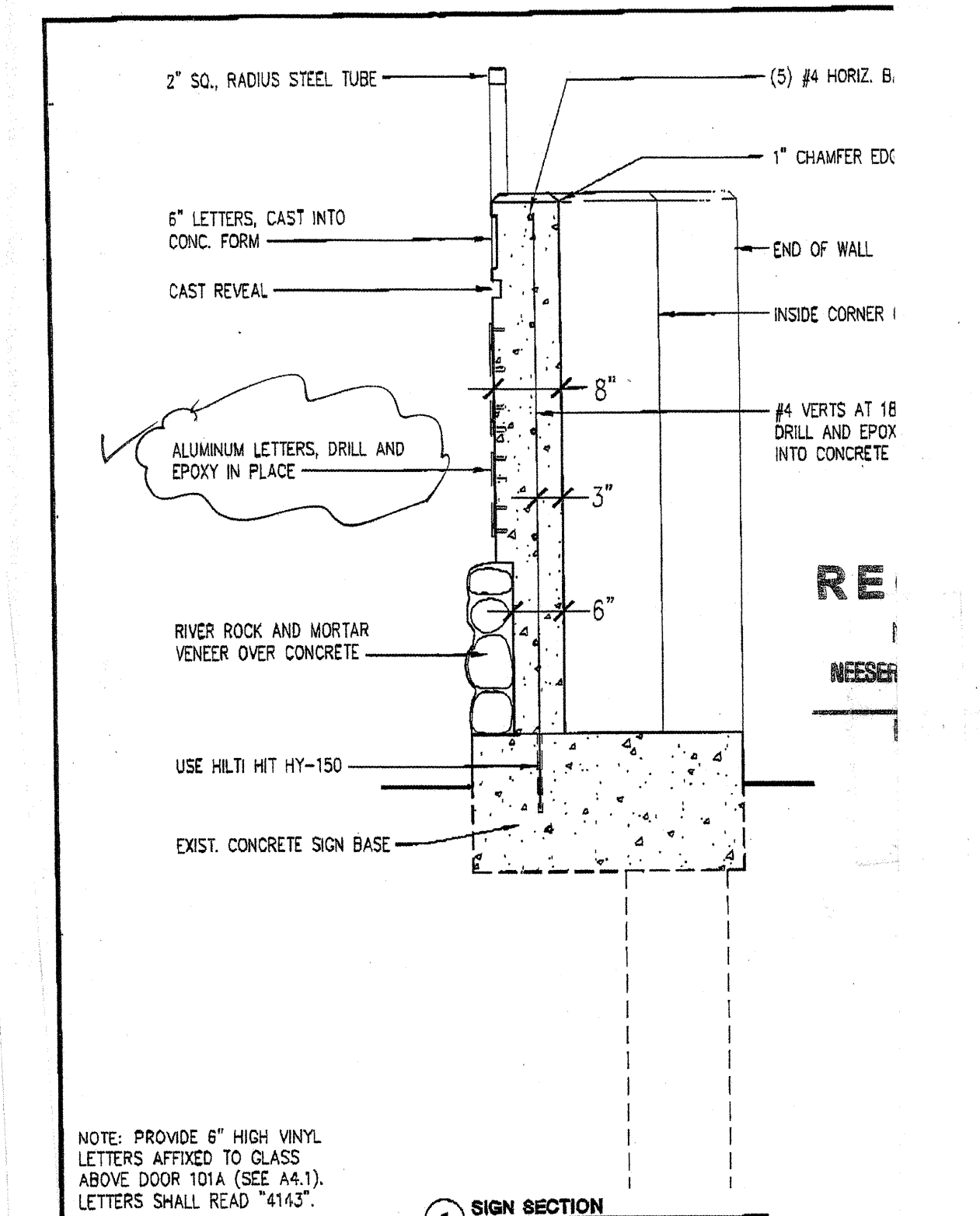
kumin associates, inc.
 architects & planners
 605 E. 4th Ave. Ste. 200 - Anchorage, Alaska 99501 - PH: 907.272.7733
 Dental, Optometry, Behavioral Health Clinic
 Southcentral Foundation - Anchorage, AK

sheet no. SK-A40

drawn JS title Panel Sign w/Markerboard
 checked JS
 date 3/5/03
 job no. 20152

kumin associates, inc.
 architects & planners
 605 E. 4th Ave. Ste. 200 - Anchorage, Alaska 99501 - PH: 907.272.7733
 Dental, Optometry, Behavioral Health Clinic
 Southcentral Foundation - Anchorage, AK

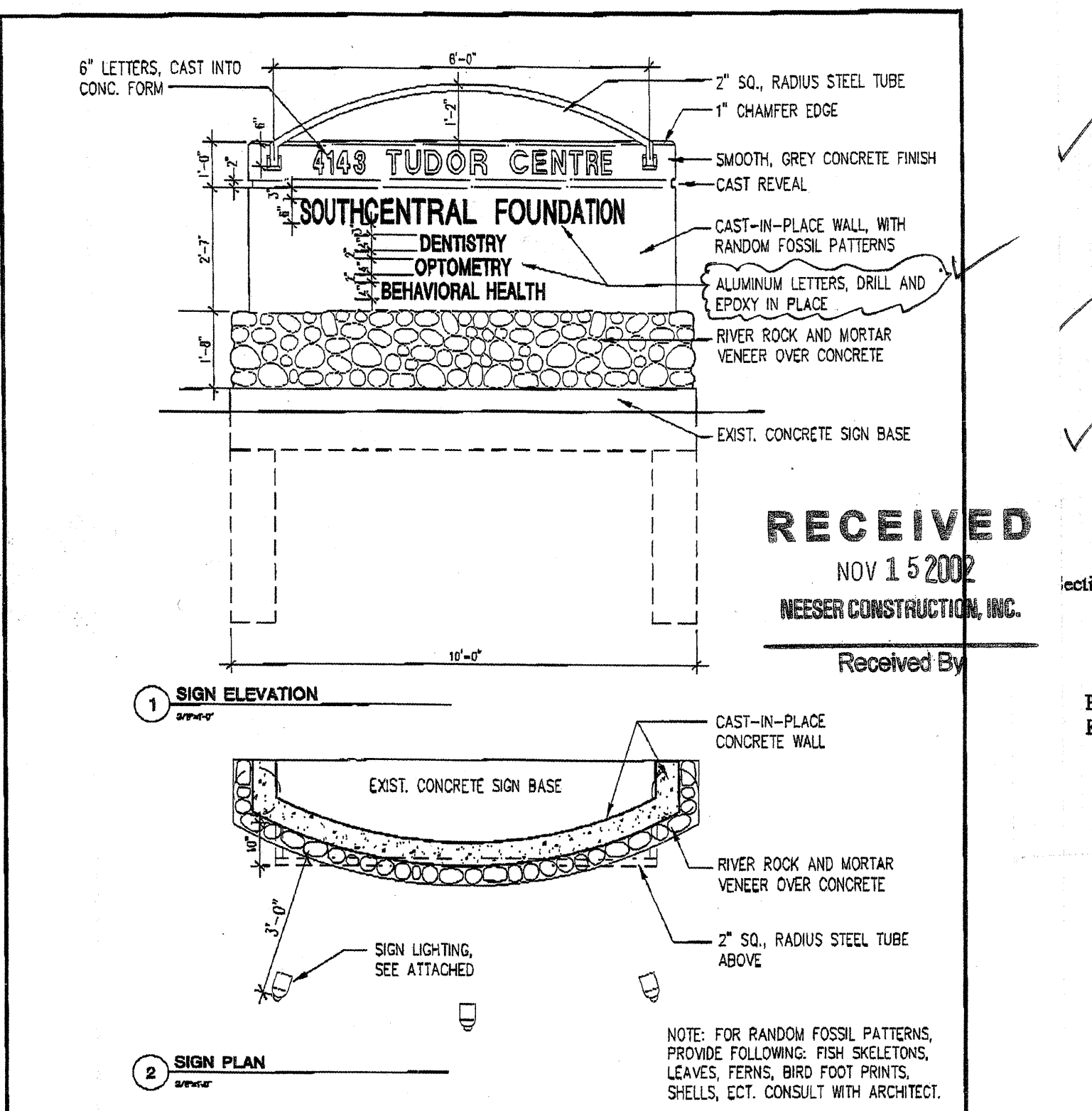
sheet no. SK-A40



drawn JS title Monument Sign / Building Address
 checked JS
 date 11/6/02
 job no. 20152

kumin associates, inc.
 architects & planners
 605 E. 4th Ave. Ste. 200 - Anchorage, Alaska 99501 - PH: 907.272.7733
 Dental, Optometry, Behavioral Health Clinic
 Southcentral Foundation - Anchorage, AK

sheet no. SK-A18



drawn JS title Monument Sign / Building Address
 checked JS
 date 11/6/02
 job no. 20152

kumin associates, inc.
 architects & planners
 605 E. 4th Ave. Ste. 200 - Anchorage, Alaska 99501 - PH: 907.272.7733
 Dental, Optometry, Behavioral Health Clinic
 Southcentral Foundation - Anchorage, AK

sheet no. SK-A18

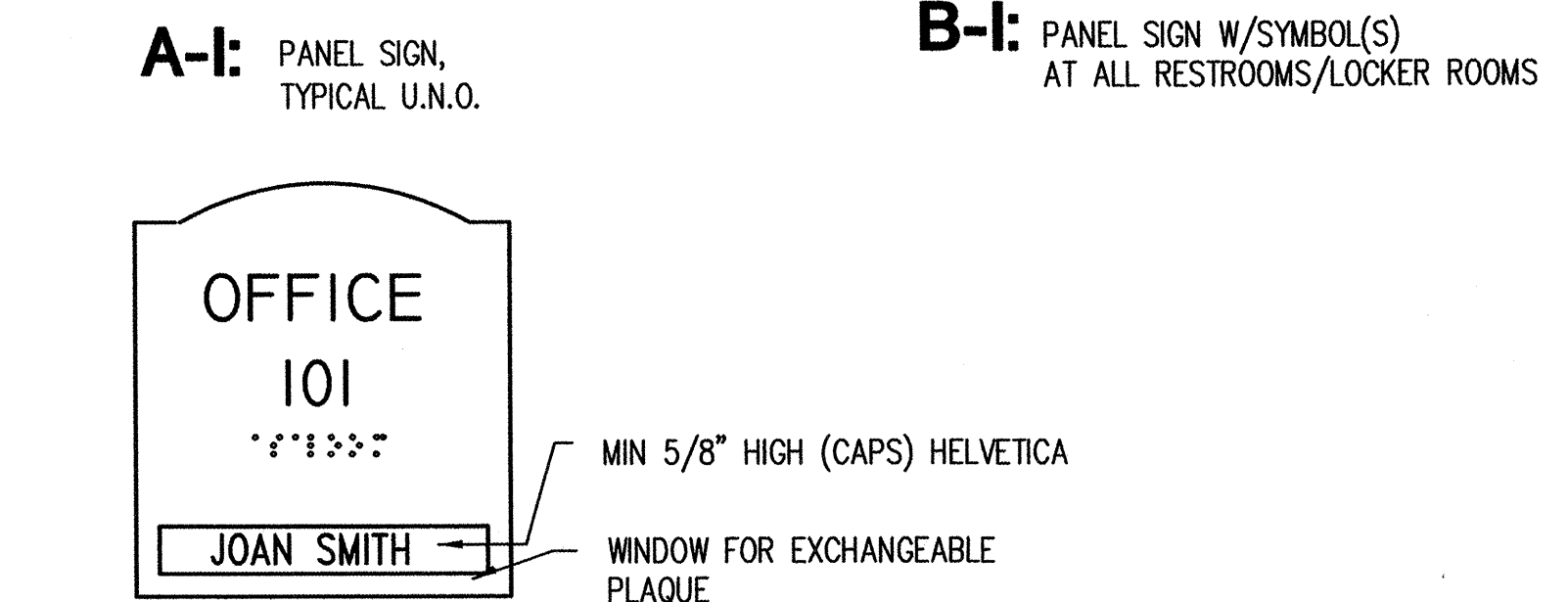
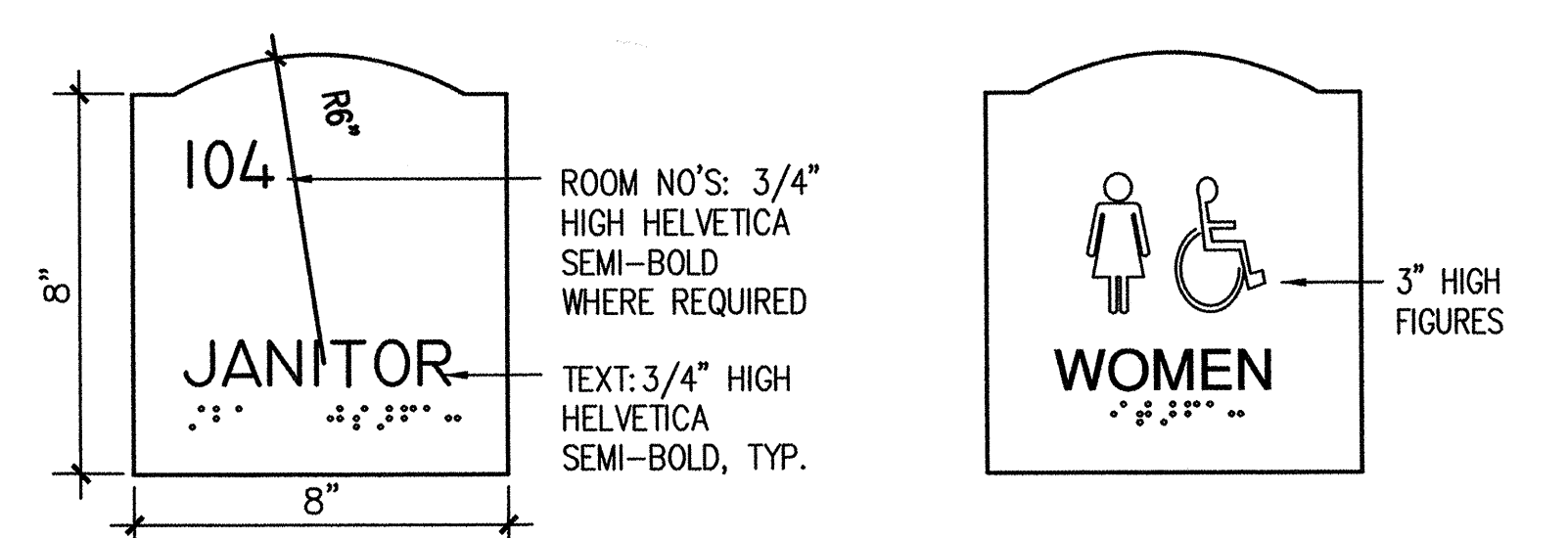
Room Name	Room Number	Symbol/Identification
Rest room	131	Handicap + man + woman
Rest room	140	Handicap + man + woman
Rest room	169	Handicap + man + woman
Rest room	220	Handicap + man + woman
Rest room	244	Handicap + man + woman
Family rest room	332	Handicap + man + woman
Women	337	Handicap + woman
Men	338	Handicap + man
Rest room	345	Handicap + man + woman

- Exterior address/aluminum letters and numbers shall be fastened to the brick tile monument sign at the entry to the site and aluminum letters shall be fastened to the curved steel section above the front entry canopy. Kumin Associates will provide information on quantity of letters and verbiage, with input from Southcentral Foundation.
- Provide vinyl letters, 8" high on glass above main entry door to read "4143". Kumin Associates will confirm any additional vinyl lettering, (name, hours of operation, etc.) with Southcentral Foundation and revert.
- Kumin Associates will provide final details for facility monument sign by end of week (11-2-02).

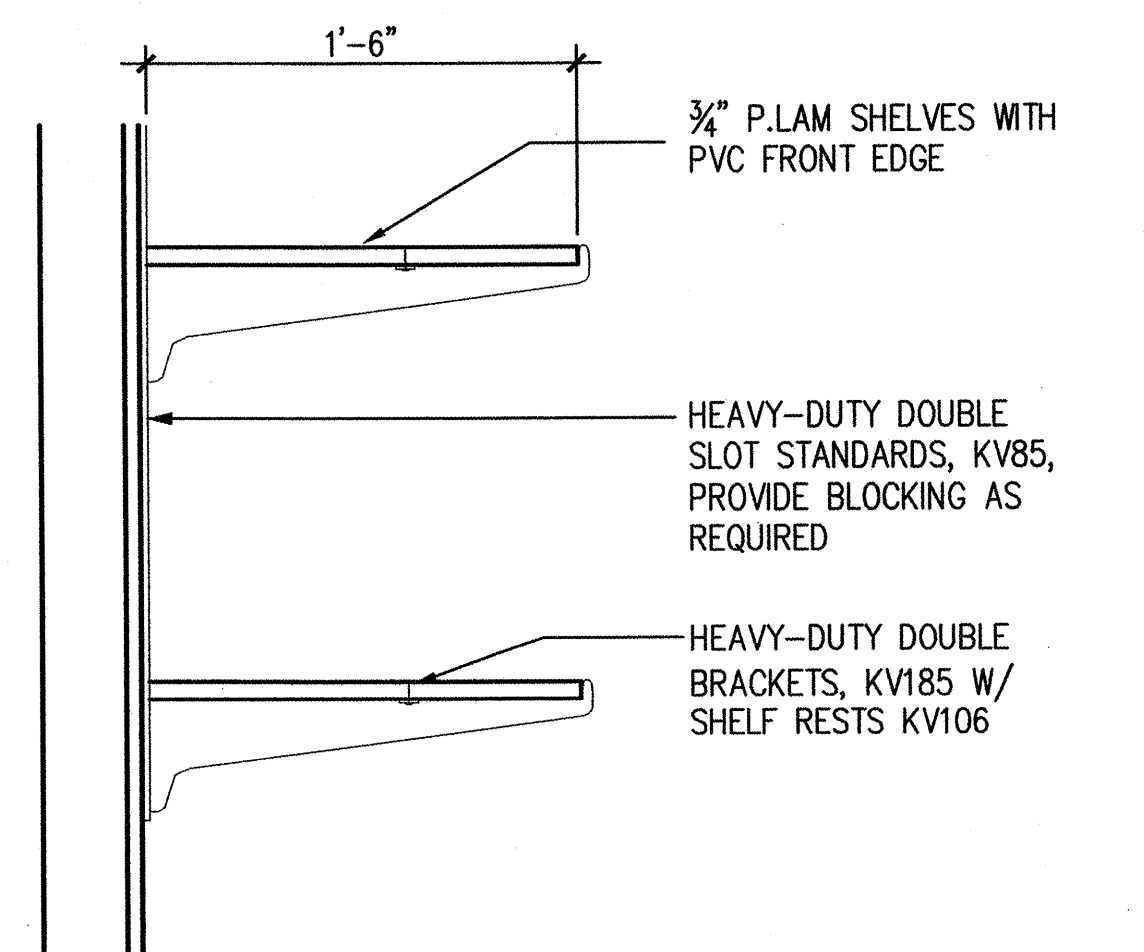
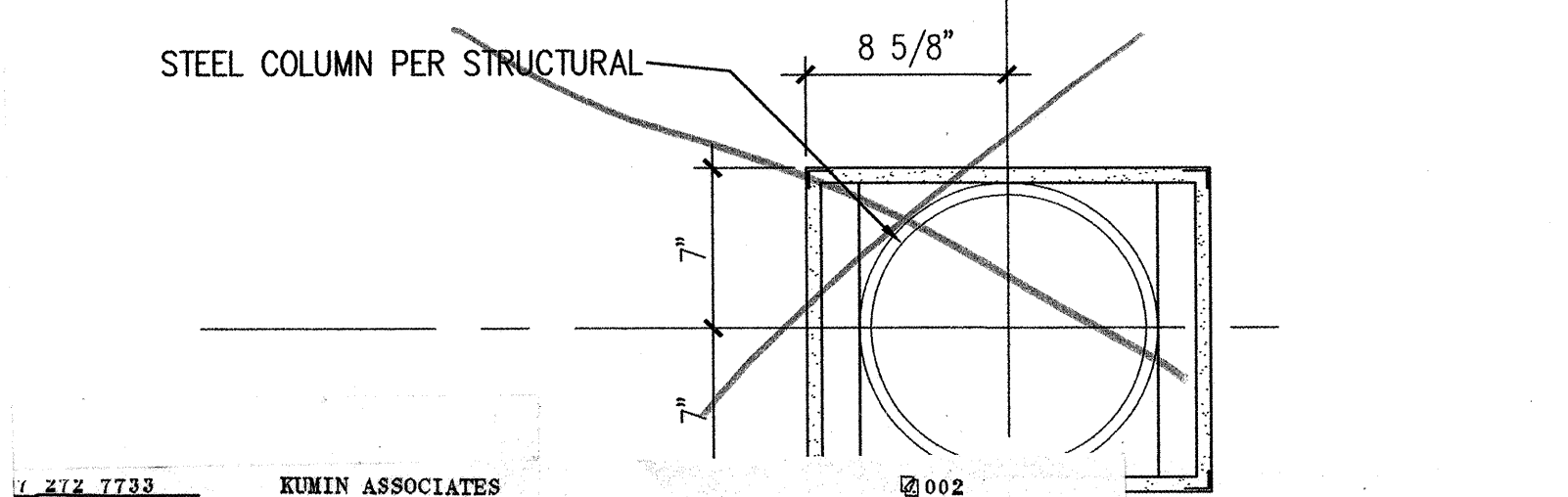
Section 10800 Toilet Accessories
 Provide all required toilet accessories at all toilets, including TP, TSD and SNR's at Women's toilet rooms.

Prepared by: Jon Stolle, AIA
 Kumin Associates Inc.

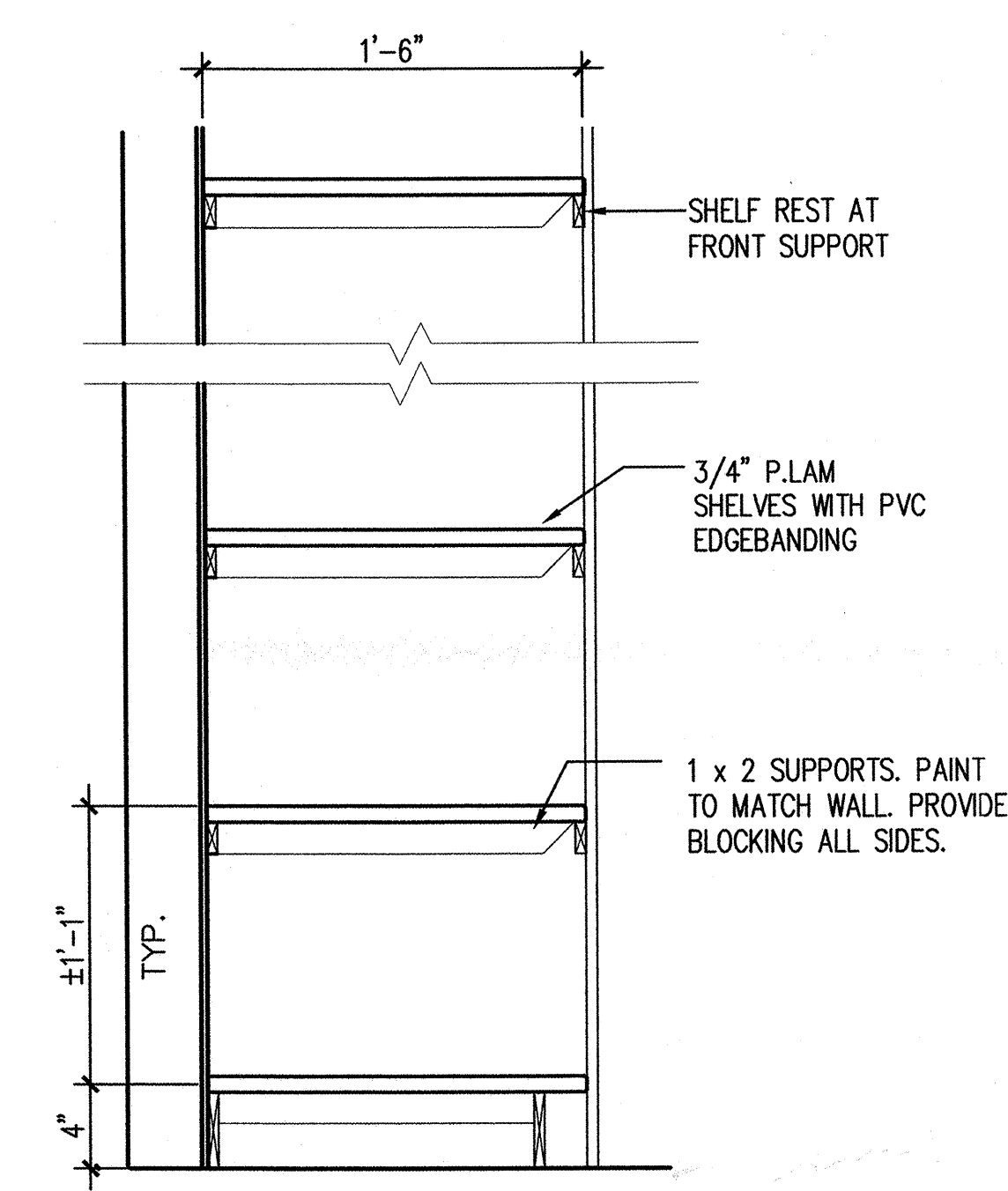
SEE SKA-38-R INTERIOR SIGNAGE SCHEDULE



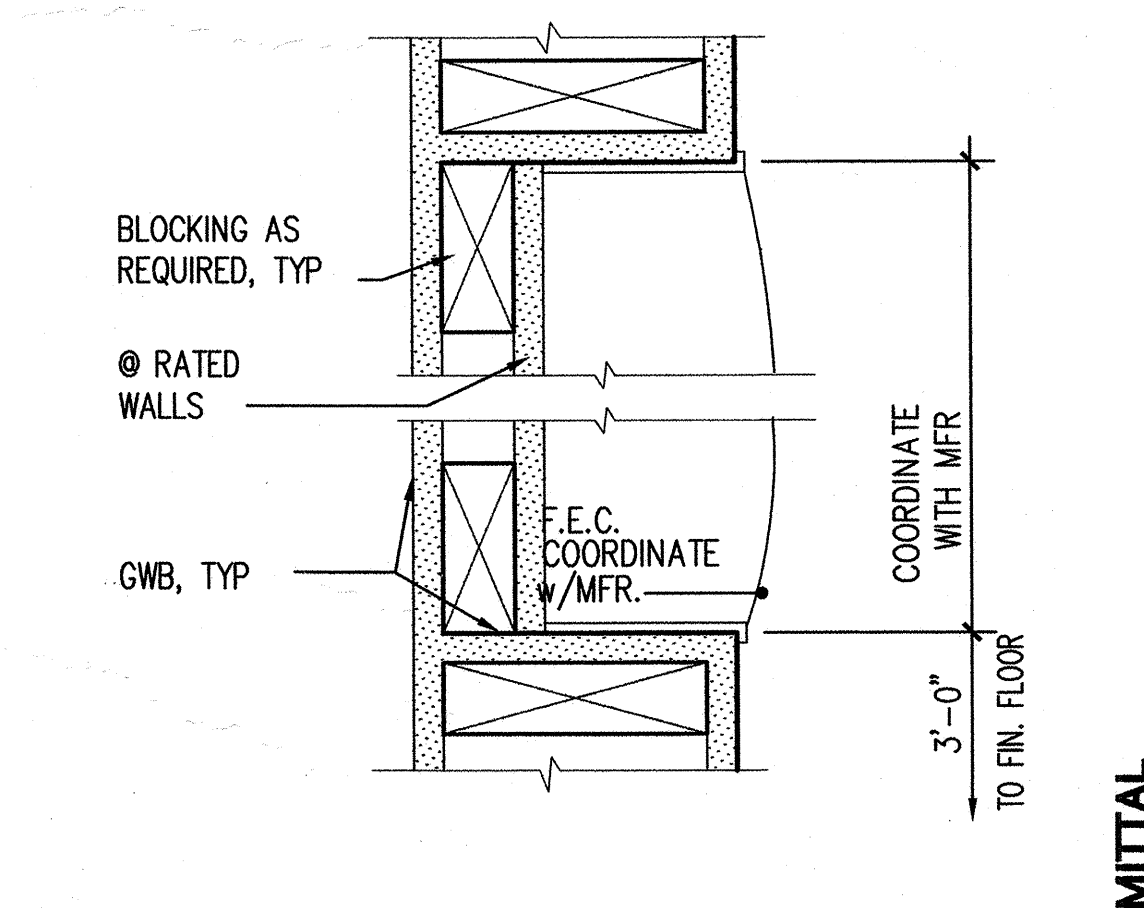
4 INTERIOR SIGNAGE
 3" = 1'-0" SEE CIVIL DRAWINGS FOR EXTERIOR SIGNAGE



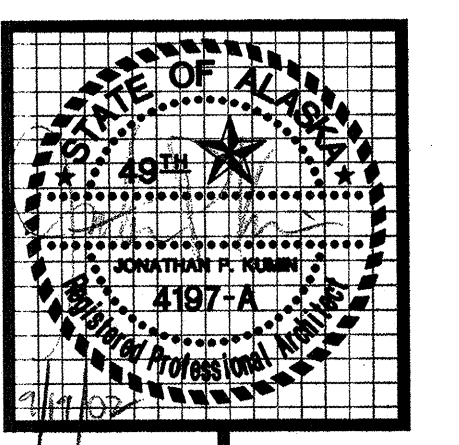
3/4" P.LAM SHELVES WITH PVC FRONT EDGE
 HEAVY-DUTY DOUBLE SLOT STANDARDS, KV85, PROVIDE BLOCKING AS REQUIRED
 HEAVY-DUTY DOUBLE BRACKETS, KV185 W/ SHELF RESTS KV106



SHELF REST AT FRONT SUPPORT
 3/4" P.LAM SHELVES WITH PVC EDGEBANDING
 1 x 2 SUPPORTS. PAINT TO MATCH WALL. PROVIDE BLOCKING ALL SIDES.



BLOCKING AS REQUIRED, TYP
 2" RATED WALLS
 G.W.B., TYP
 F.E.C. COORDINATE W/MFR.
 COORDINATE WITH MFR.
 TO FIN. FLOOR



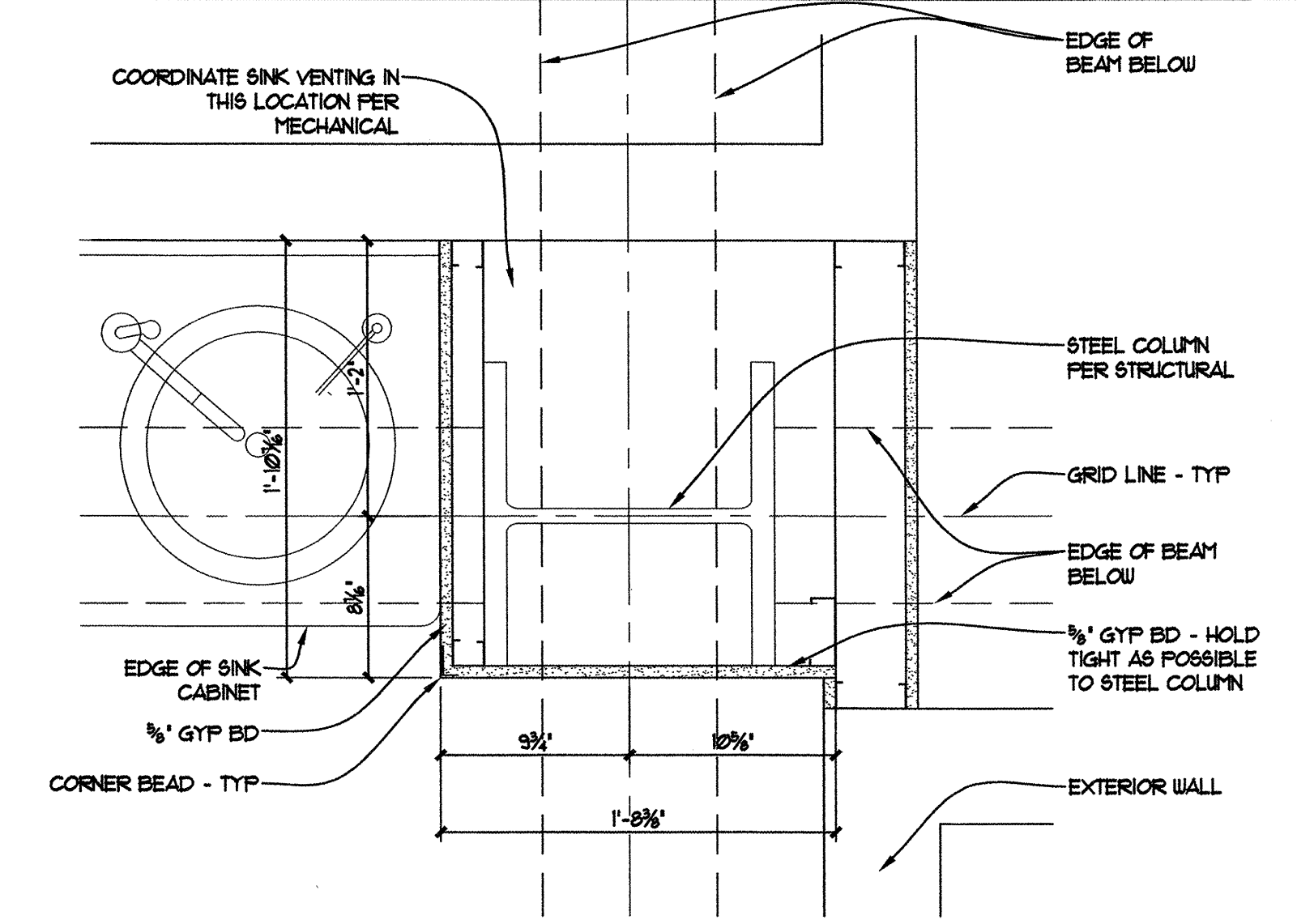
kumin associates, inc.
 architects • planners • interior designers

Sjoquist Architects, Inc.
 2001 University Ave SE #200
 Minneapolis, Minnesota 55414
 612.379.9233 Fax: 612.379.9263
 http://www.sjoquist.com

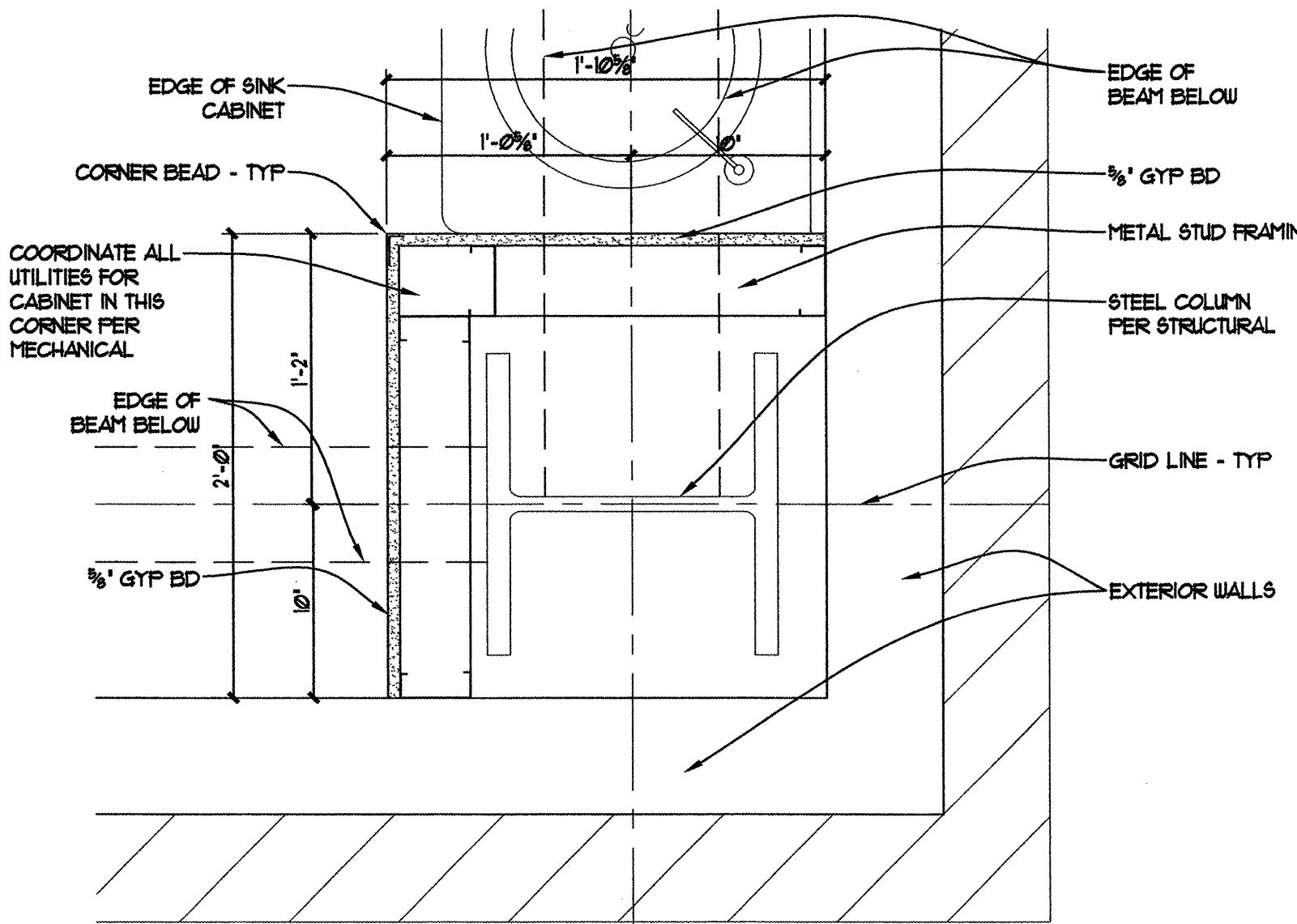
SOUTHCENTRAL FOUNDATION
 NEW CLINIC FOR
 DENTAL, OPTOMETRY and BEHAVIORAL HEALTH
 TUDOR RD. AND TUDOR CENTER DRIVE ANCHORAGE ALASKA

drawn SZ
 checked DB, JS
 date 9-17-02
 revisions
 8-28-02 95%
 9-17-02 100%
 job no. 20152
 dwg. title INTERIOR DETAILS
 sheet no. A7.5

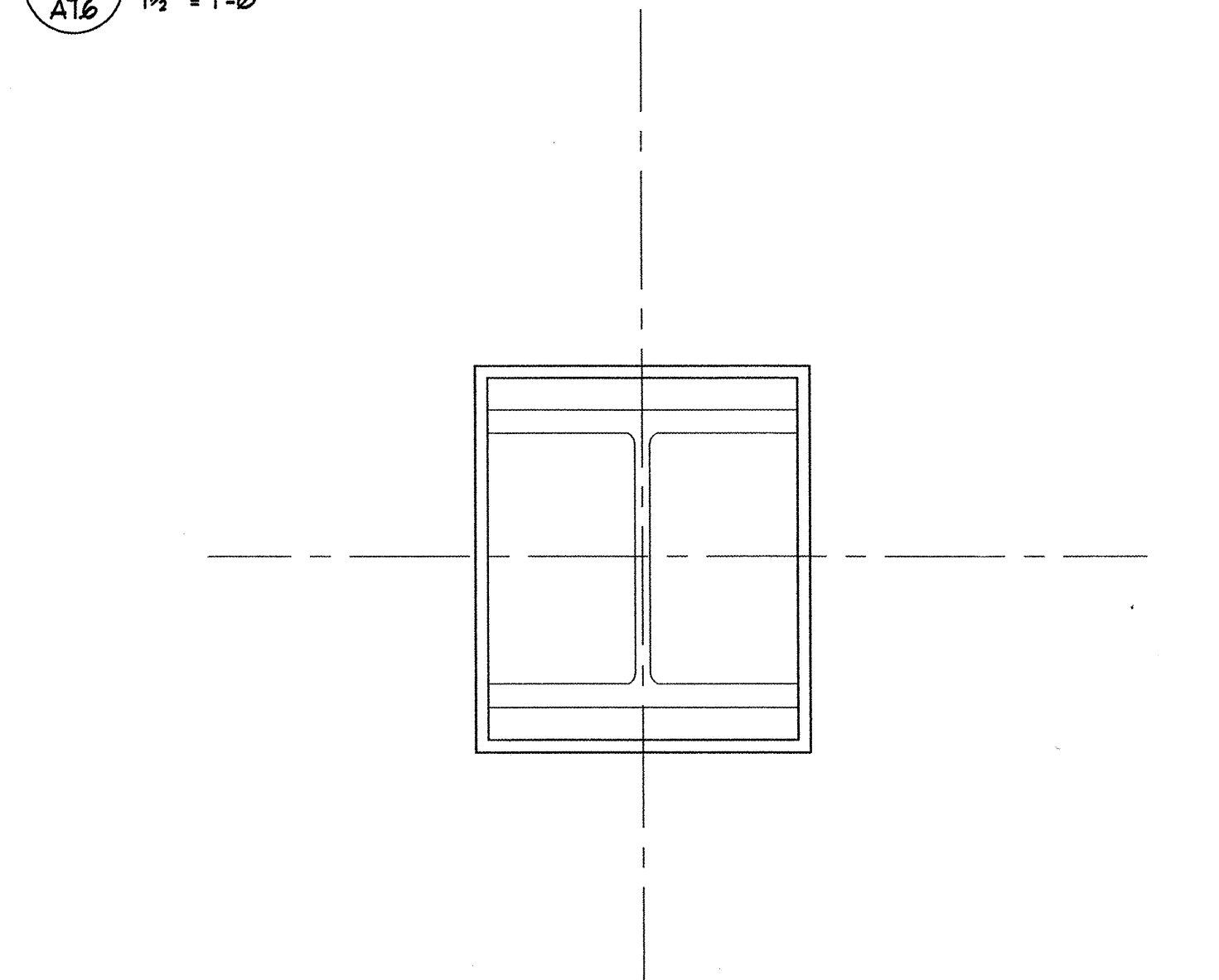
100% SUBMITTAL



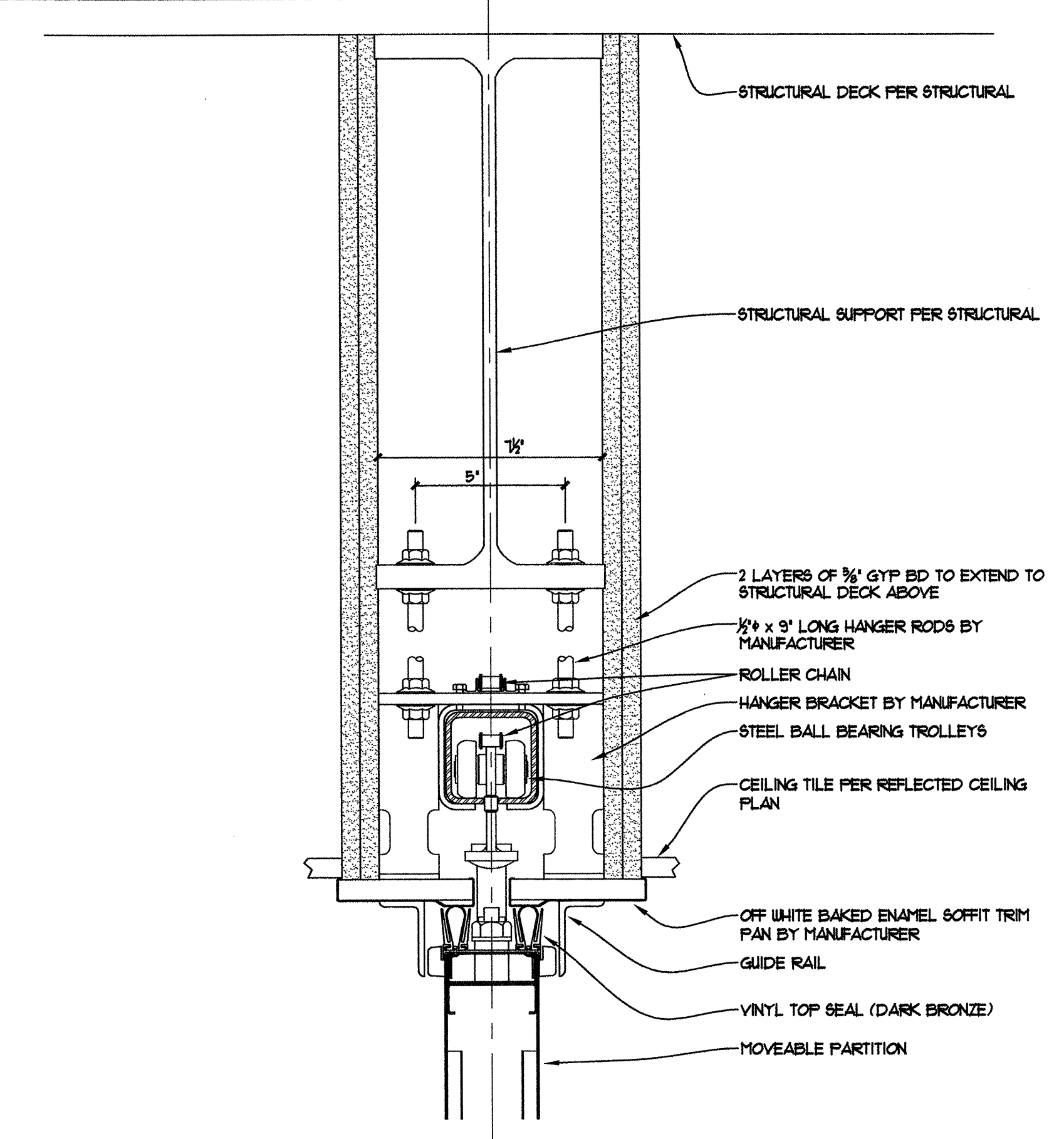
C1 COLUMN DETAIL
 A16 1 1/2" = 1'-0"



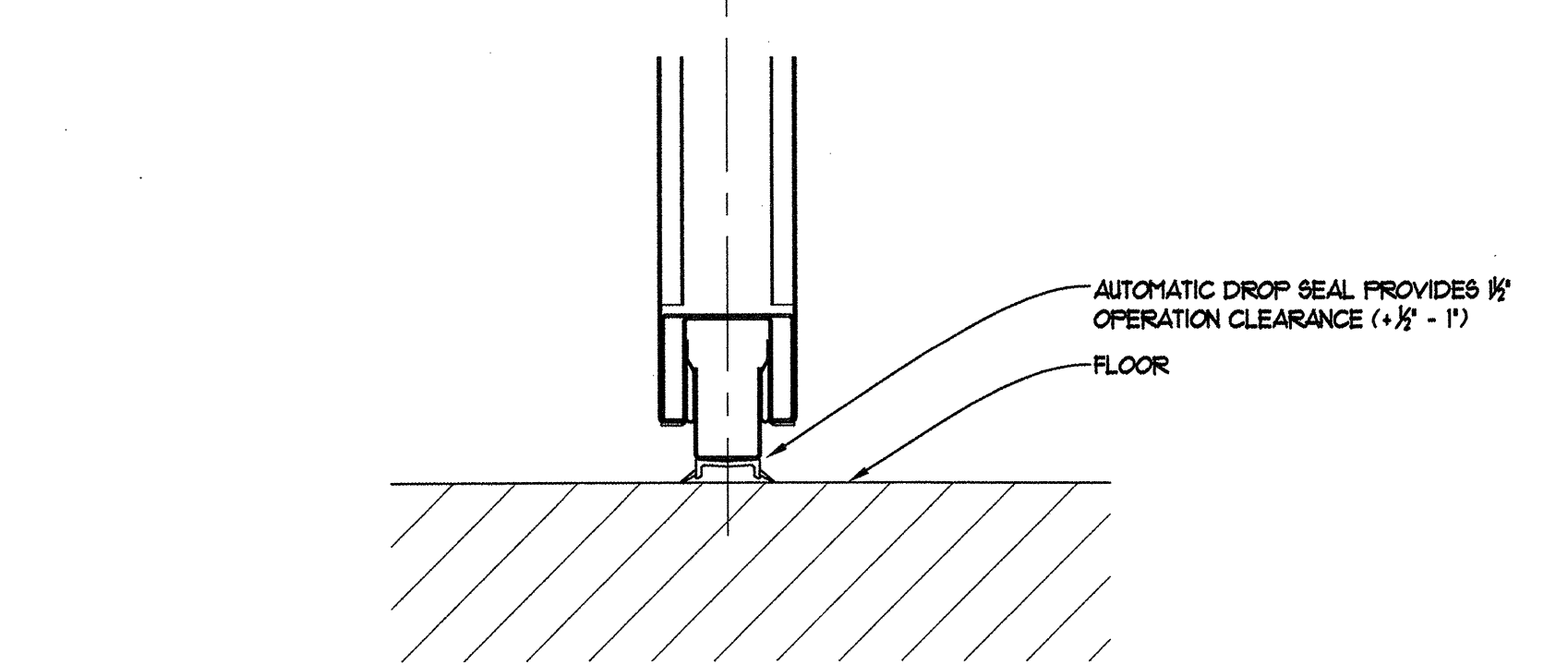
B1 COLUMN DETAIL
 A16 1 1/2" = 1'-0"



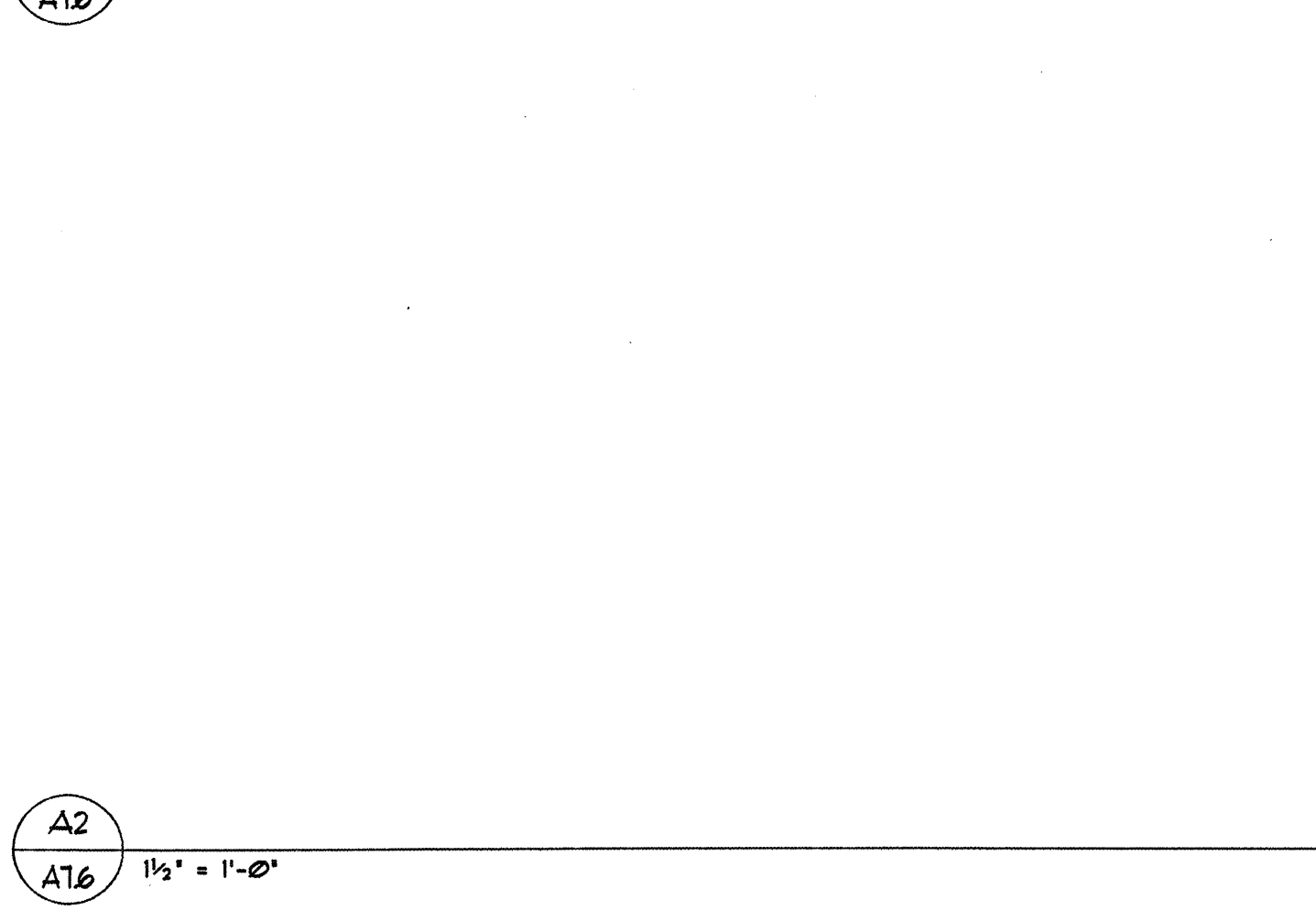
A1 COLUMN DETAIL
 A16 1 1/2" = 1'-0"



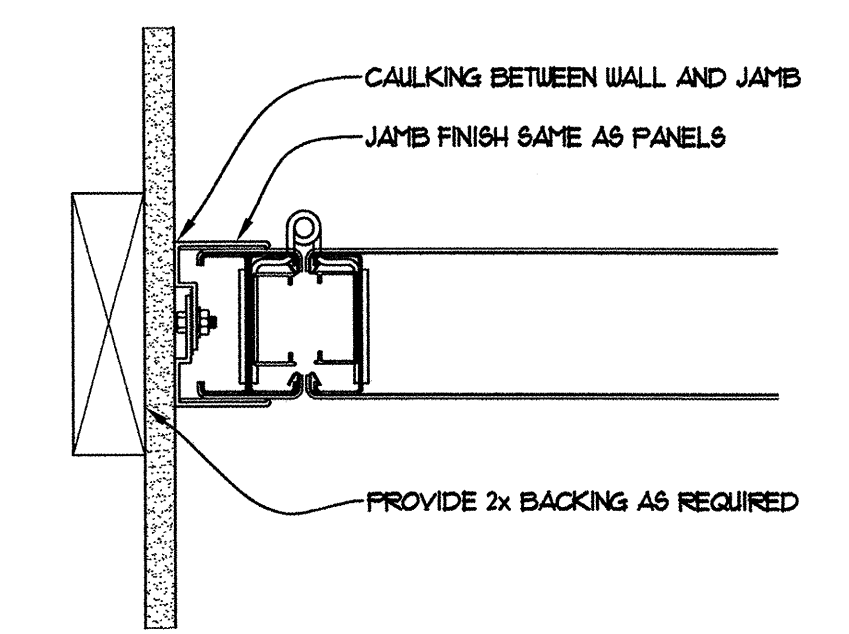
C2 MOVEABLE PARTITION HEAD DETAIL
 A16 3" = 1'-0"



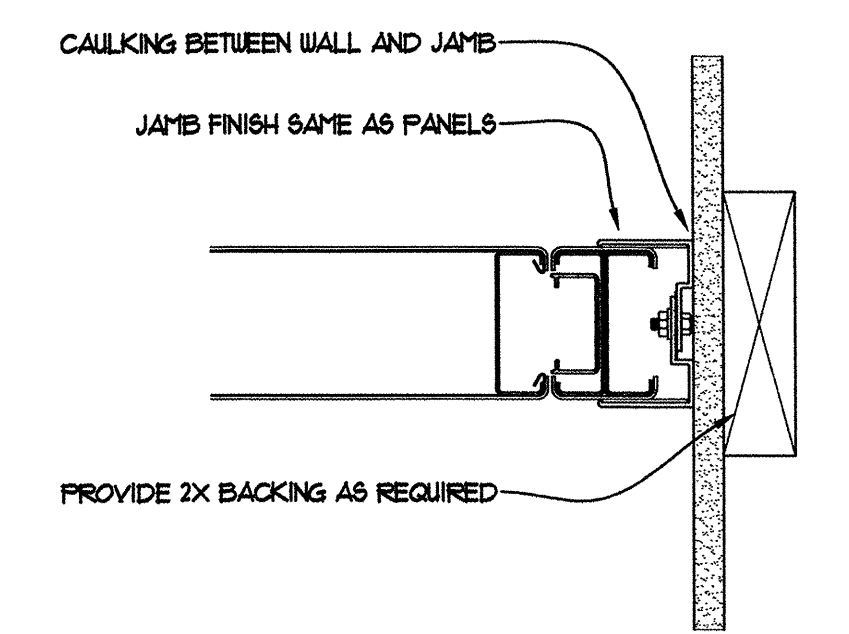
B2 MOVEABLE PARTITION SILL DETAIL
 A16 3" = 1'-0"



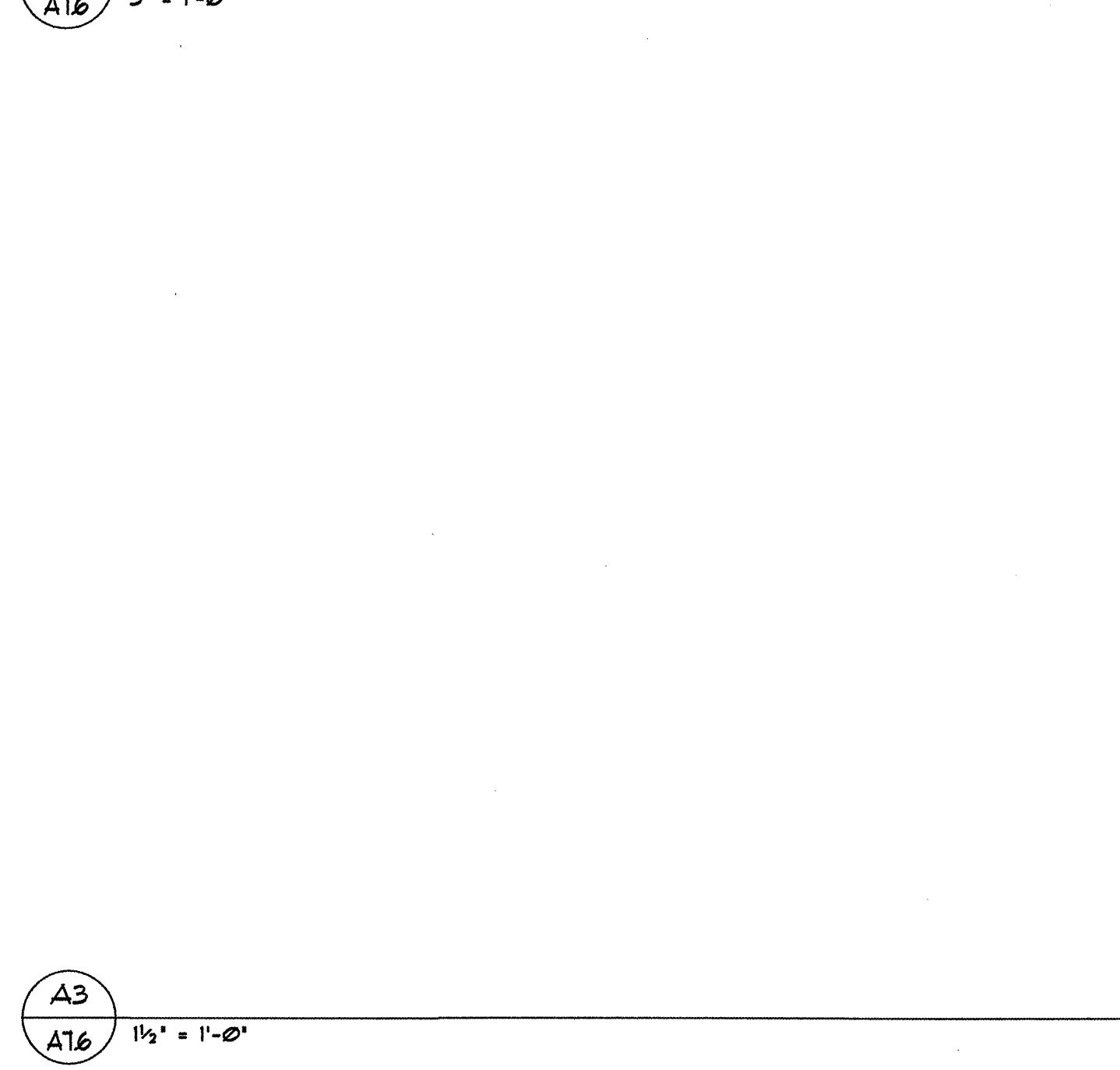
A2
 A16 1 1/2" = 1'-0"



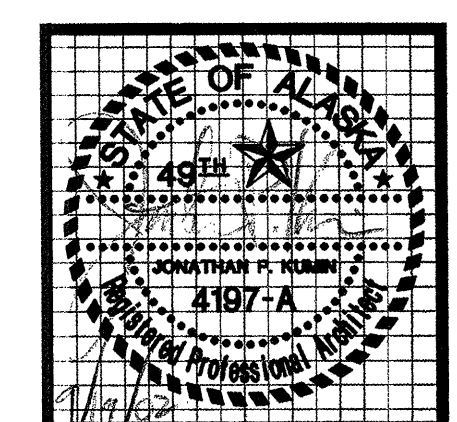
C3 MOVEABLE PARTITION HINGED JAMB DETAIL
 A16 3" = 1'-0"



B3 MOVEABLE PARTITION ADJUSTABLE JAMB DETAIL
 A16 3" = 1'-0"



A3
 A16 1 1/2" = 1'-0"



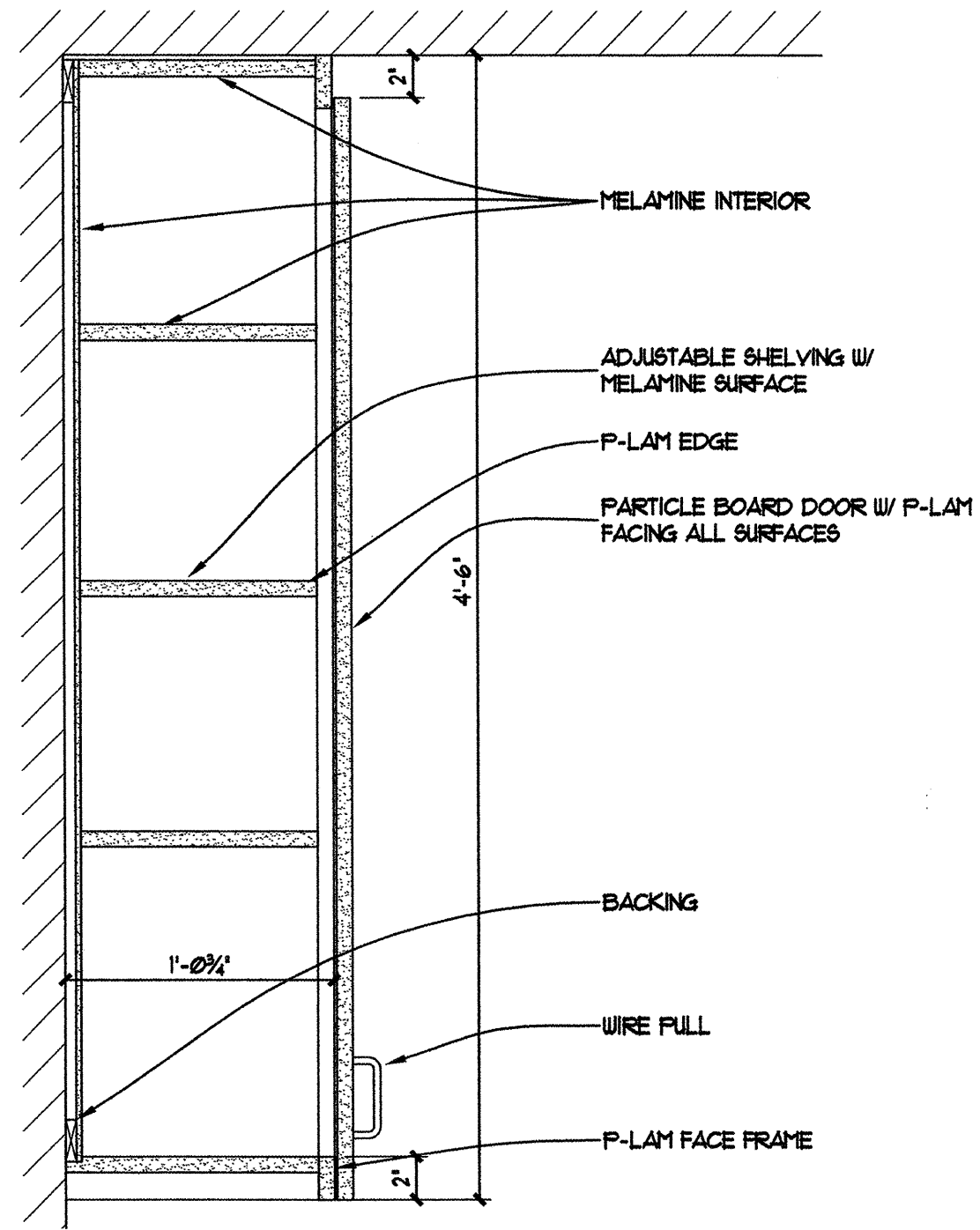
kumin associates, inc.
 architects • planners • interior designers

Sjoquist Architects, Inc.
 2001 University Ave SE #200
 Minneapolis, Minnesota 55414
 http://www.sjoquist.com
 612.379.9233 Fax: 612.379.9263

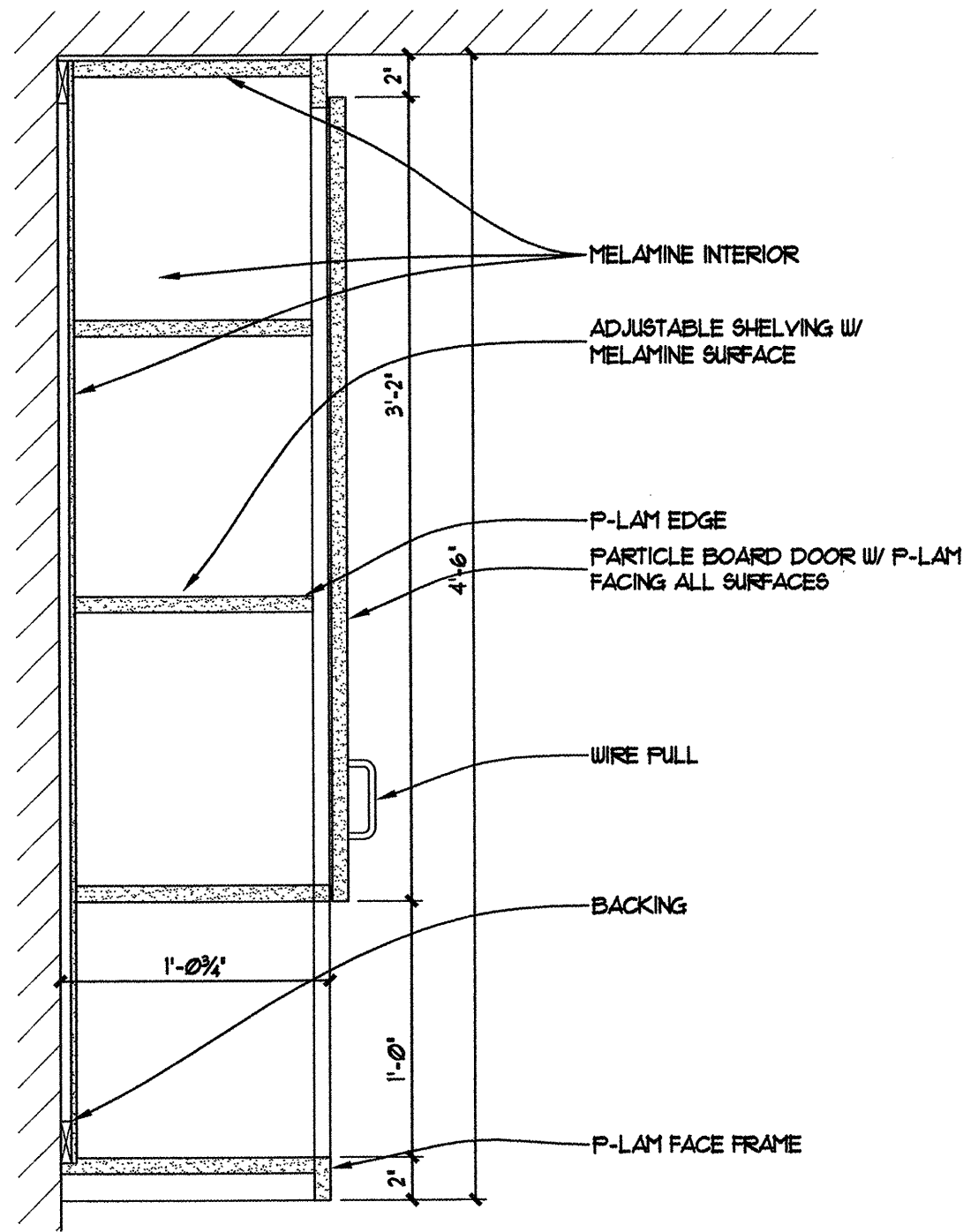
SOUTHCENTRAL FOUNDATION
 NEW CLINIC FOR
 DENTAL, OPTOMETRY and BEHAVIORAL HEALTH
 TUDOR RD. and TUDOR CENTER DRIVE, ANCHORAGE, ALASKA

drawn	
checked	DB, LIS
date	9-17-02
revisions	
job no.	20152
dwg. title	INTERIOR DETAILS
sheet no.	A7.6

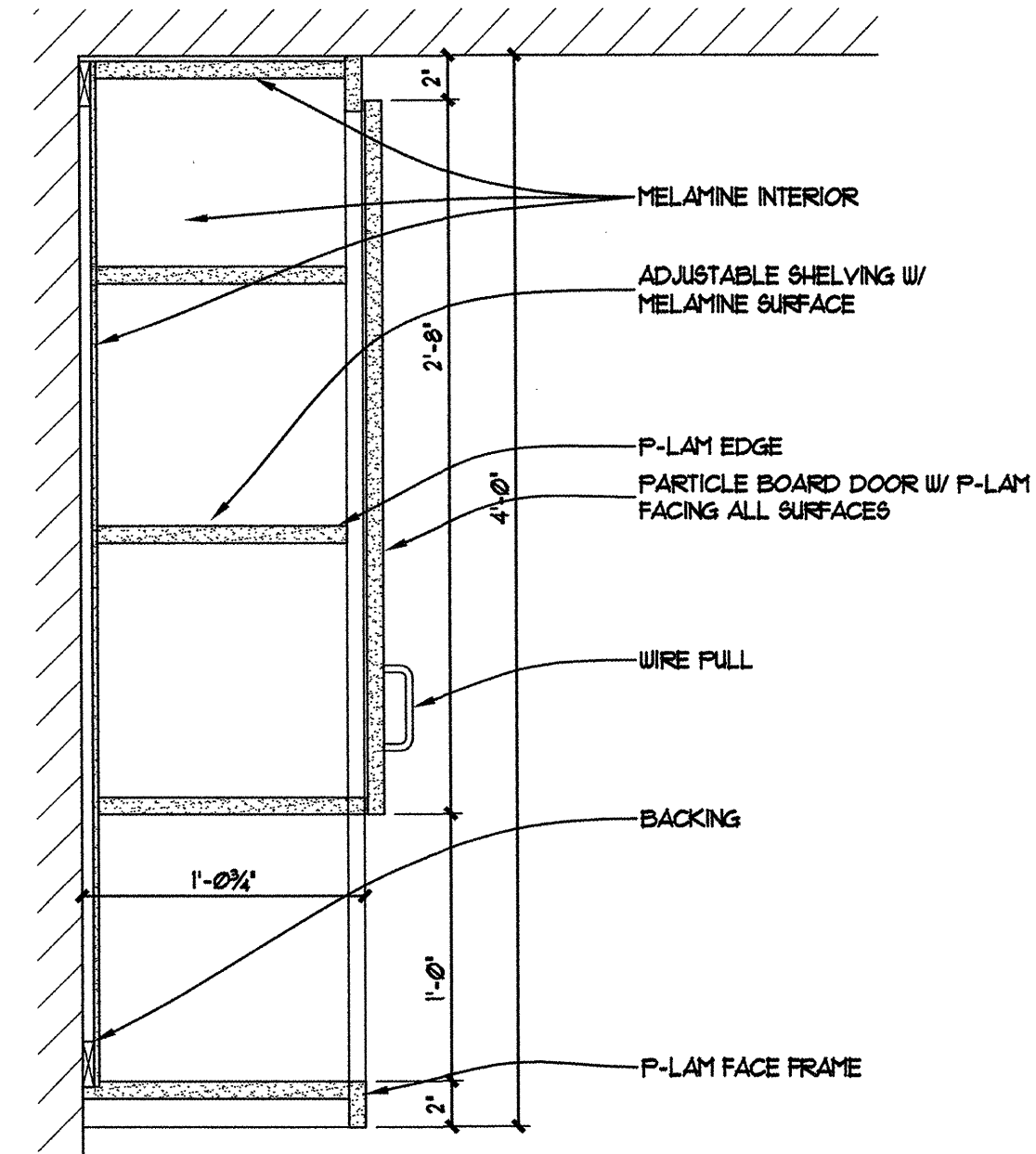
100% SUBMITTAL



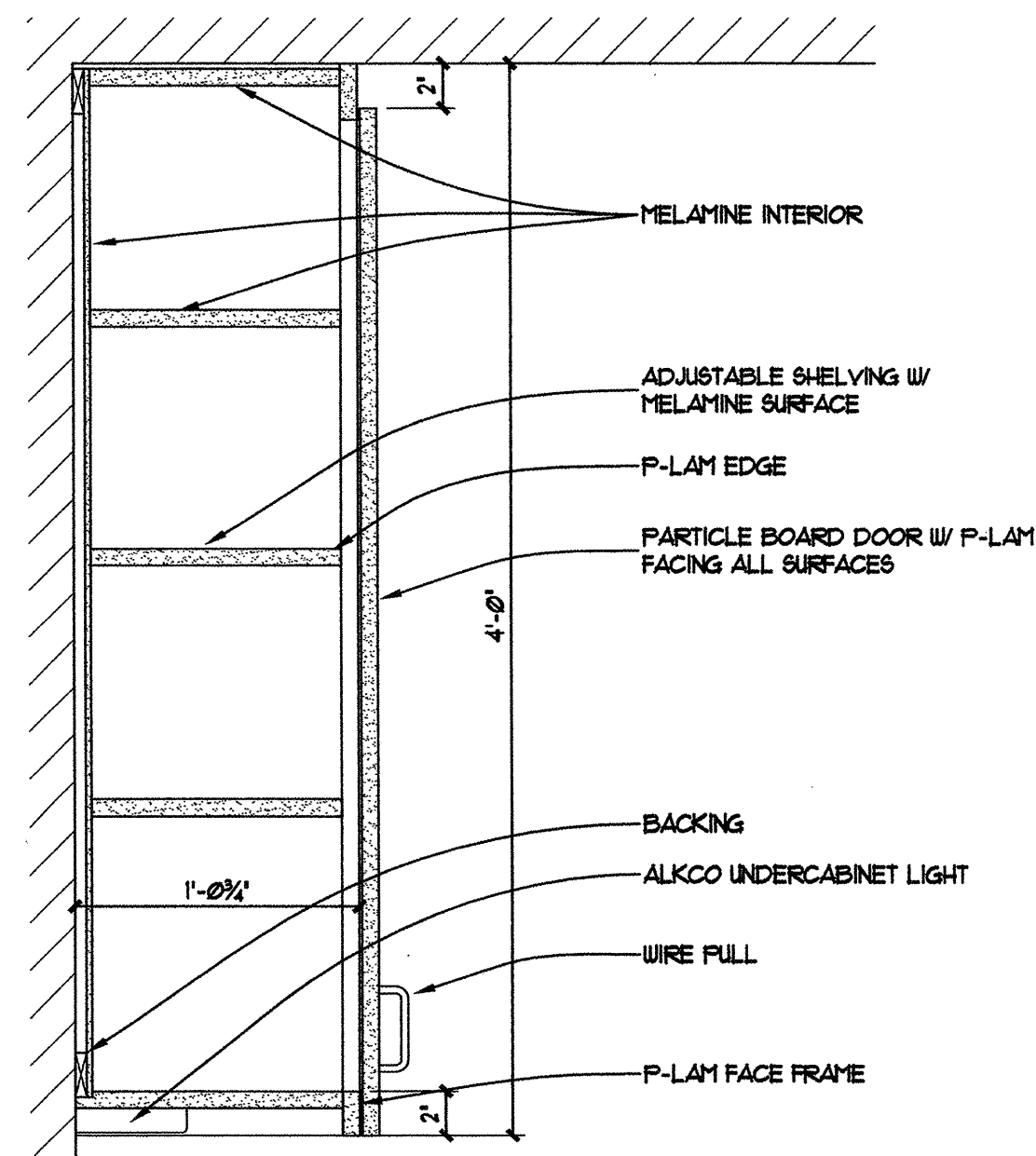
C1 54" UPPER CABINET
A1.1 1 1/2" = 1'-0"



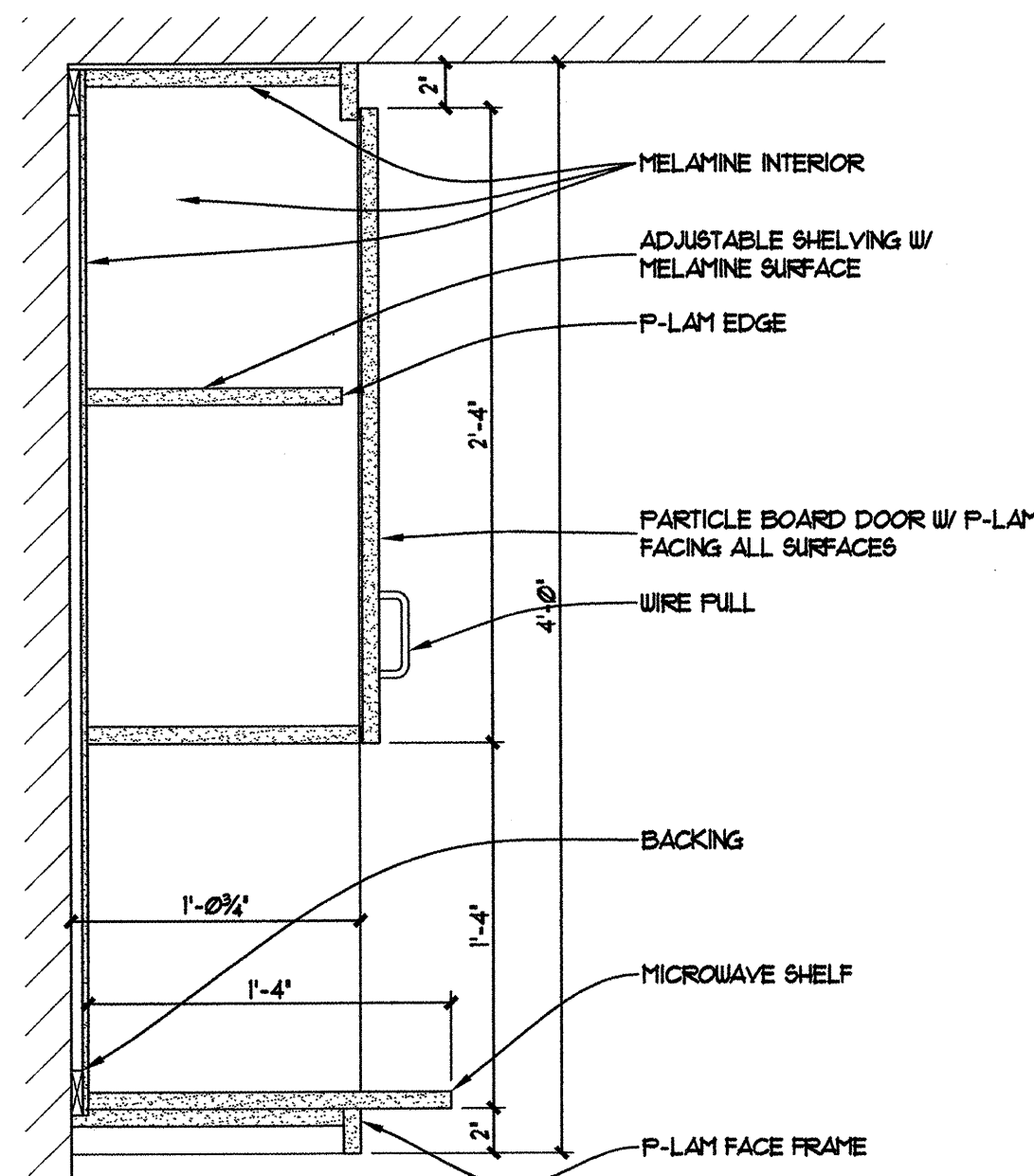
C2 54" UPPER CABINET W/ OPEN SHELF
A1.1 1 1/2" = 1'-0"



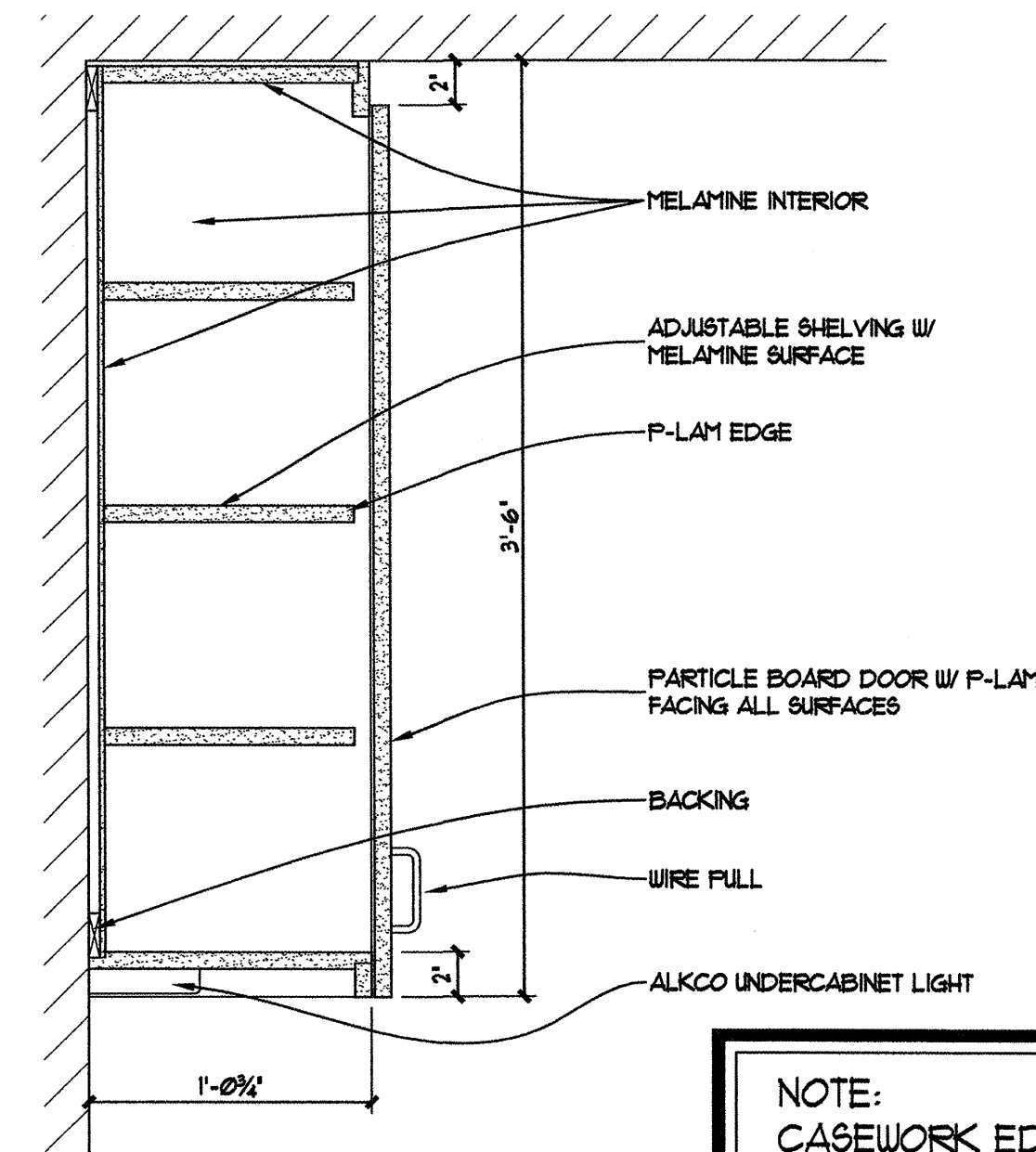
C3 48" UPPER CABINET W/ OPEN SHELF
A1.1 1 1/2" = 1'-0"



A1 48" UPPER CABINET
A1.1 1 1/2" = 1'-0"

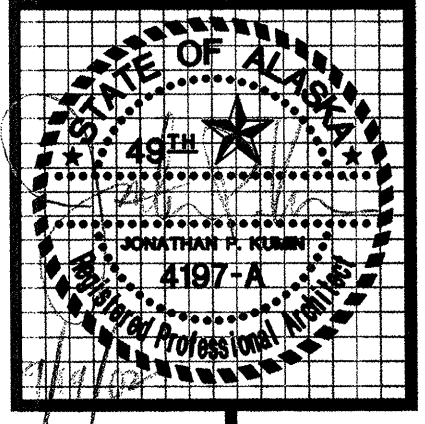


A2 48" UPPER CABINET W/ MICROWAVE SHELF
A1.1 1 1/2" = 1'-0"



A3 42" UPPER CABINET
A1.1 1 1/2" = 1'-0"

NOTE:
CASEWORK EDGE BANDING SHALL BE 3 MIL.
PVC. DISREGARD P-LAM. EDGE BANDING.
TYPICAL FOR ALL BASE AND WALL
CABINETS.



kumin associates, inc.
architects • planners • interior designers
2007 UNIVERSITY DRIVE SE #200
MINNEAPOLIS, MINNESOTA 55414
Sjoquist Architects, Inc.
2007 UNIVERSITY DRIVE SE #200
MINNEAPOLIS, MINNESOTA 55414
612.379.9233 Fax: 612.379.9263
http://www.sjoquist.com

SOUTHCENTRAL FOUNDATION
NEW CLINIC FOR
DENTAL, OPTOMETRY and BEHAVIORAL HEALTH
TUDOR RD. and TUDOR CENTER DRIVE, ANCHORAGE, ALASKA

drawn	SAI
checked	DB, JS
date	9-17-02
revisions	
	8-26-02 JSZ
job no.	20152
dwg. title	BASE CABINET DETAILS
sheet no.	A7.7

100% SUBMITTAL